

CIRCUIT DIAGRAMS

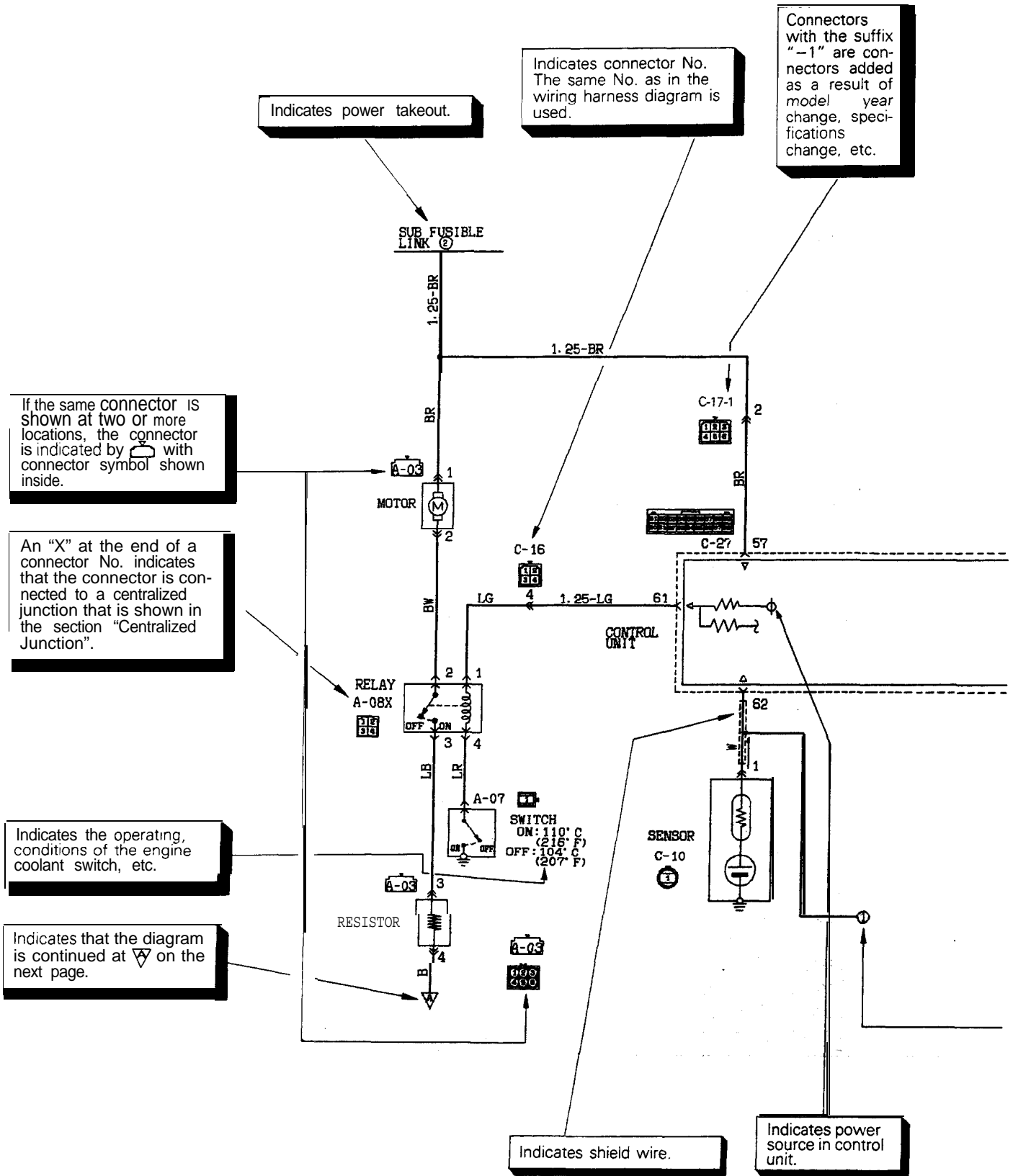
CONTENTS

M16VE-

ACTIVE-Electronic Control Suspension (ECS) Circuit	249
Air Conditioning Circuit	199
Anti-Lock Braking System (ABS) Circuit	274
Audio Circuit	54-112
Auto-Cruise Control Circuit	292
Automatic Seat Belt Circuit	326
Back-Up Light Circuit	54-68
Buzzer Circuit	180
Central Door Locking Circuit	214
Charging Circuit	16-3
Cigarette Lighter Circuit..	54-106
Clock Circuit	54-109
Cooling Circuit	155
Defogger Circuit	54-156
Dome Light Circuit..	54-56
Door Light Circuit..	54-65
ELC 4-Speed Automatic Transaxle Circuit	158
Electronic Control Power Steering (EPS) Circuit	323
Fog Light Circuit	54-46
Headlight Circuit	54-41
Heater Circuit	197
Horn Circuit	54-104
How to Read Circuit Diagrams	70
Ignition Circuit	16-34
Indicator Light Circuit..	54-22
Luggage Compartment Light, Glove Compartment Light and Vanity Mirror Light Circuit	54-54
Meter and Gauges Circuit	54-12
MFI Circuit	96
Power Distribution Circuit	76
Power Window Circuit	182
Remote Controlled Mirror Circuit	235
Starting Circuit	16-17
Stop Light Circuit	54-78
Sunroof Circuit	238
Tail light, Position Light, Side Marker Light and License Plate Light Circuit	54-48
Theft-Alarm System Circuit	332
Turn Signal Light and Hazard Light Circuit	54-72
Warning Light Circuit	54-16
Wiper and Washer Circuit	228

HOW TO READ CIRCUIT DIAGRAMS

The circuit of each system from the fuse (or fusible link) to ground is shown. The power supply is shown at the top and the ground at the bottom to facilitate understanding of how the current flows.



Indicates power takeout.

Indicates connector No. The same No. as in the wiring harness diagram is used.

Connectors with the suffix "-1" are connectors added as a result of model year change, specifications change, etc.

If the same connector is shown at two or more locations, the connector is indicated by with connector symbol shown inside.

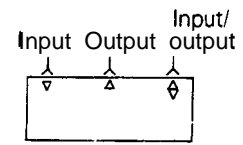
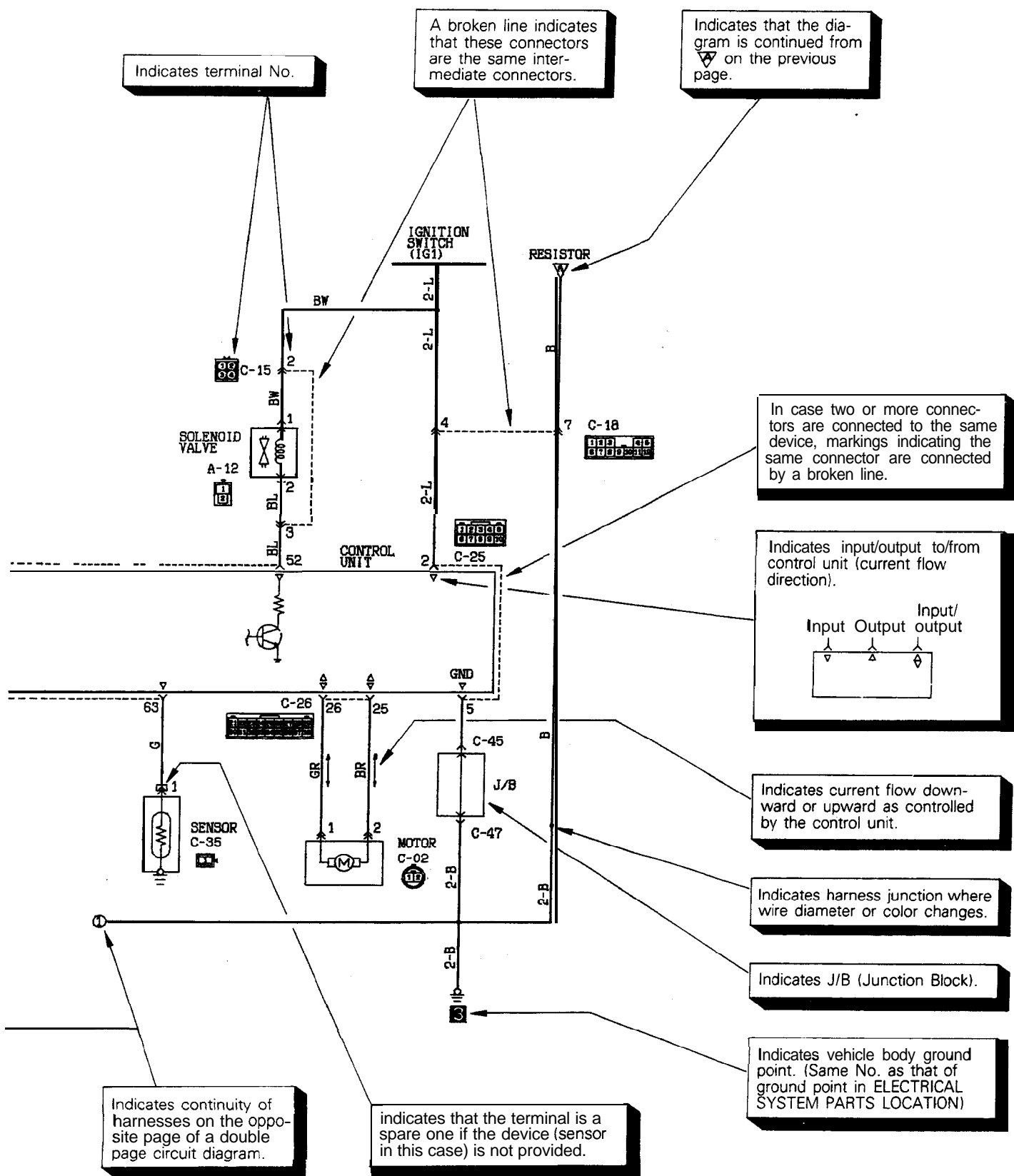
An "X" at the end of a connector No. indicates that the connector is connected to a centralized junction that is shown in the section "Centralized Junction".

Indicates the operating conditions of the engine coolant switch, etc.

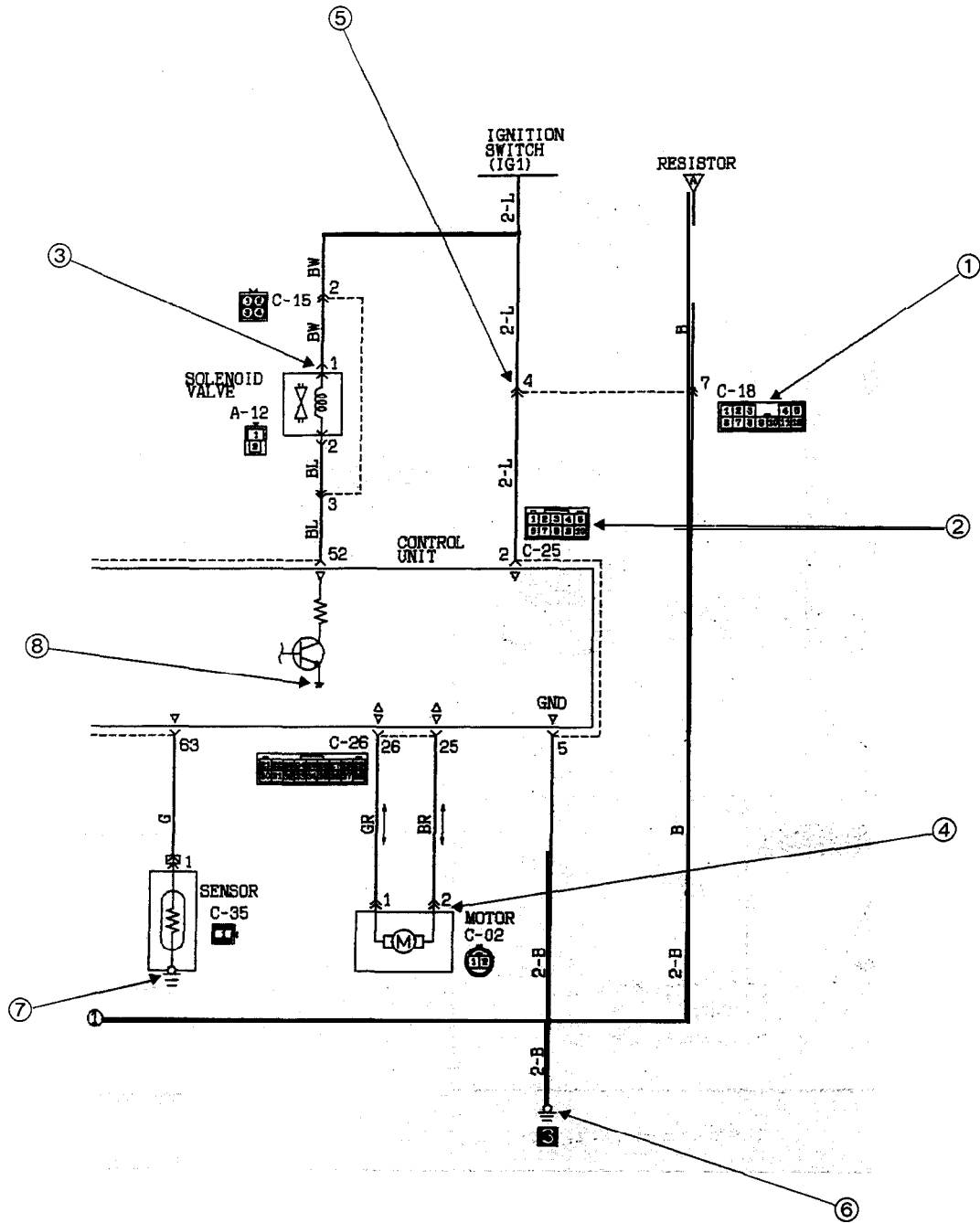
Indicates that the diagram is continued at on the next page.

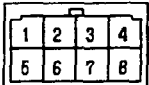

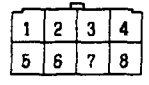

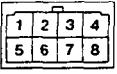
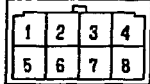
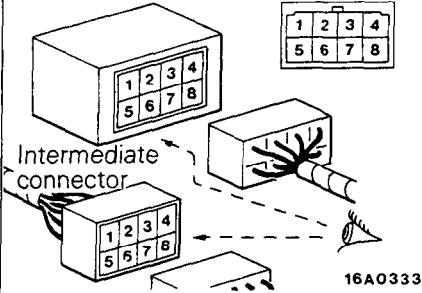
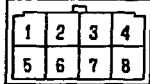
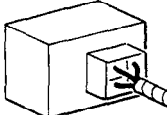

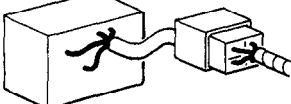
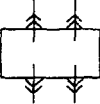
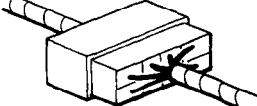

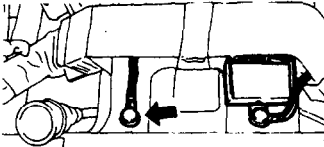

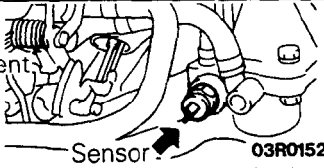

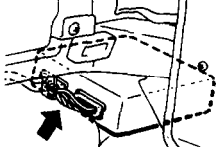

Indicates shield wire.

Indicates power source in control unit.



CONNECTOR/GROUND INDICATIONS



No.	Layout indications	Symbol	Description
Connector indications	① Male 		Male and female terminals are distinguished one from the other as shown in the illustration: connectors framed by a double line are male terminals, and those framed by a single line are female terminals.
	- Female 		
Connector symbol indications	② Equipment  Intermediate connector   16A0333		Symbols are shown as facing in the direction indicated in the illustration. For connections to the equipment is shown; for intermediate connectors, the symbol for the connector at the male side is shown.
Connector connection indications	③ Direct-connect type 		There are two types of connection between the equipment and the connector at the harness: the type by which there is direct plug-in to the equipment (the direct-connect type), and the type by which connection is with the harness connector at the equipment (the type with harness); these are individually identified as shown in the illustration.
	④ Type with harness  16A0334		
	⑤ Intermediate connector  16A0339		
ground indications	⑥ Chassis ground 		There are three types of grounds: the chassis ground, the equipment ground, and the ground within the control unit; these are individually identified as shown in the illustration.
	⑦ Equipment ground  Sensor 03R0152		
	⑧ Ground within control unit  16A0109		

SYMBOLS

The various devices and equipment identified in circuit diagrams are represented by the symbols described below.

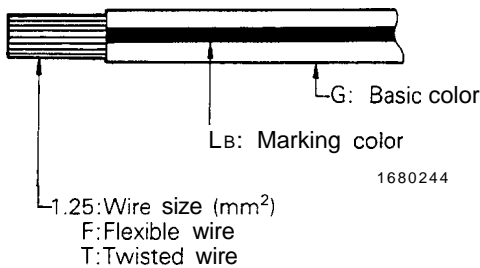
Battery 	Body ground 	Single bulb 	Resistor 	Diode 	Capacitor
Fuse 	Equipment ground 	Dual bulb 	Variable resistor 	Zener diode 	Crossing of wires without connection
Fusible link 	Ground within ECU 	Speaker 	Coil 	Transistor with 	Crossing of wires with connection
Connector Female side Male side 	Motor 	Horn 	Pulse generator 	Buzzer 	Chime
Thyristor 	Piezo-electric element 	Thermister 	Light-emitting diode 	Photo diode 	Photo transistor

16A0252

WIRING COLOR CODES

Wire colors are identified by the following color codes.

Example: 1.25F-GB



Code	Wire color	Code	Wire color
B	Black	P	Pink
Br	Brown	R	Red
G	Green	Sb	Sky blue
Gr	Gray	V	Violet
L	Blue	W	White
Lg	Light green	Y	Yellow
O	Orange		

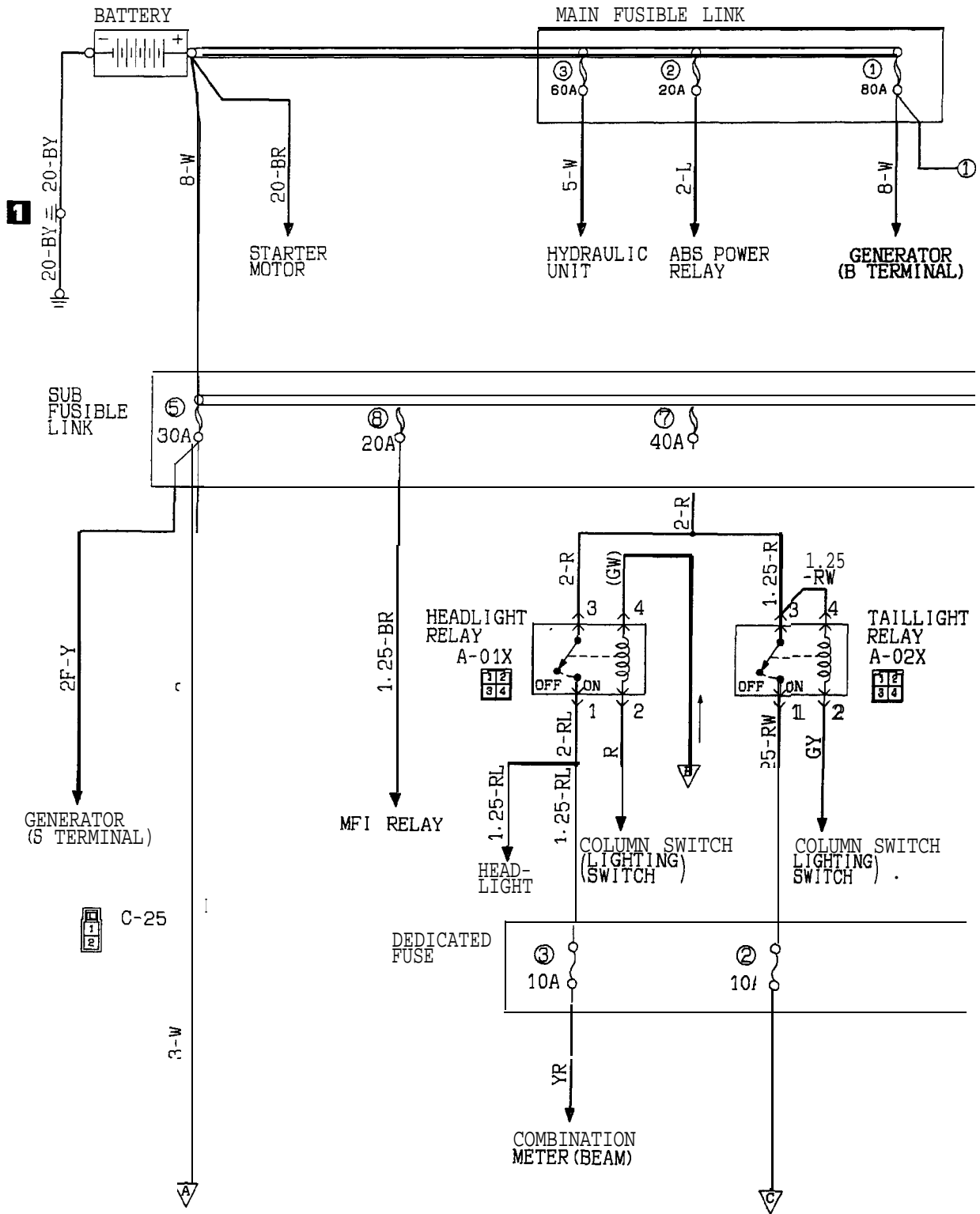
- (1) No code indicates 0.5 mm² (.0008 in.²).
- (2) Cable color code in parentheses indicates 0.3 mm² (.0005 in.²).

NOTE

If a cable has two colors, the first of the two color code characters indicates the basic color (color of the cable coating) and the second indicates the marking color.

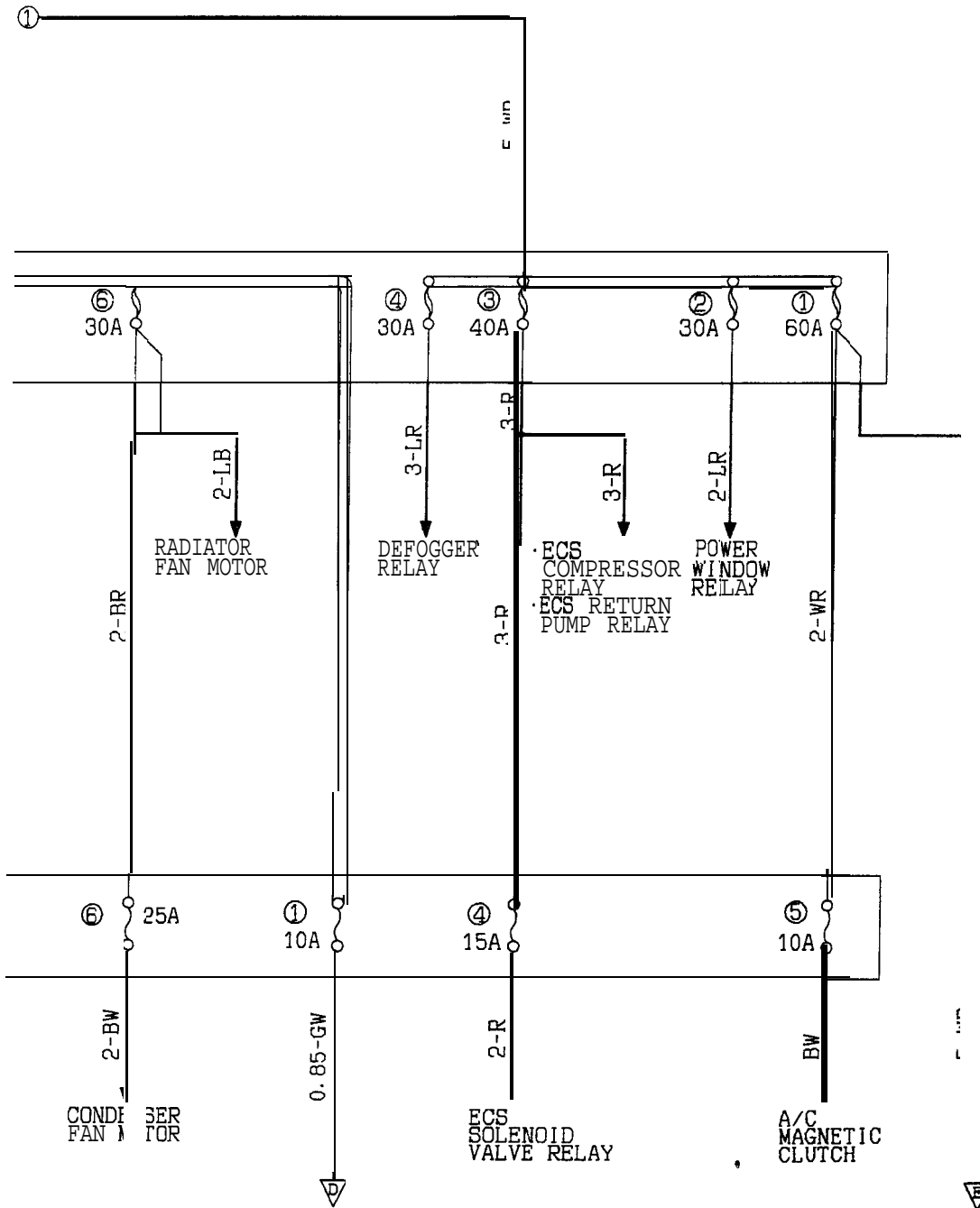
NOTES

POWER DISTRIBUTION CIRCUIT (1989 MODELS>

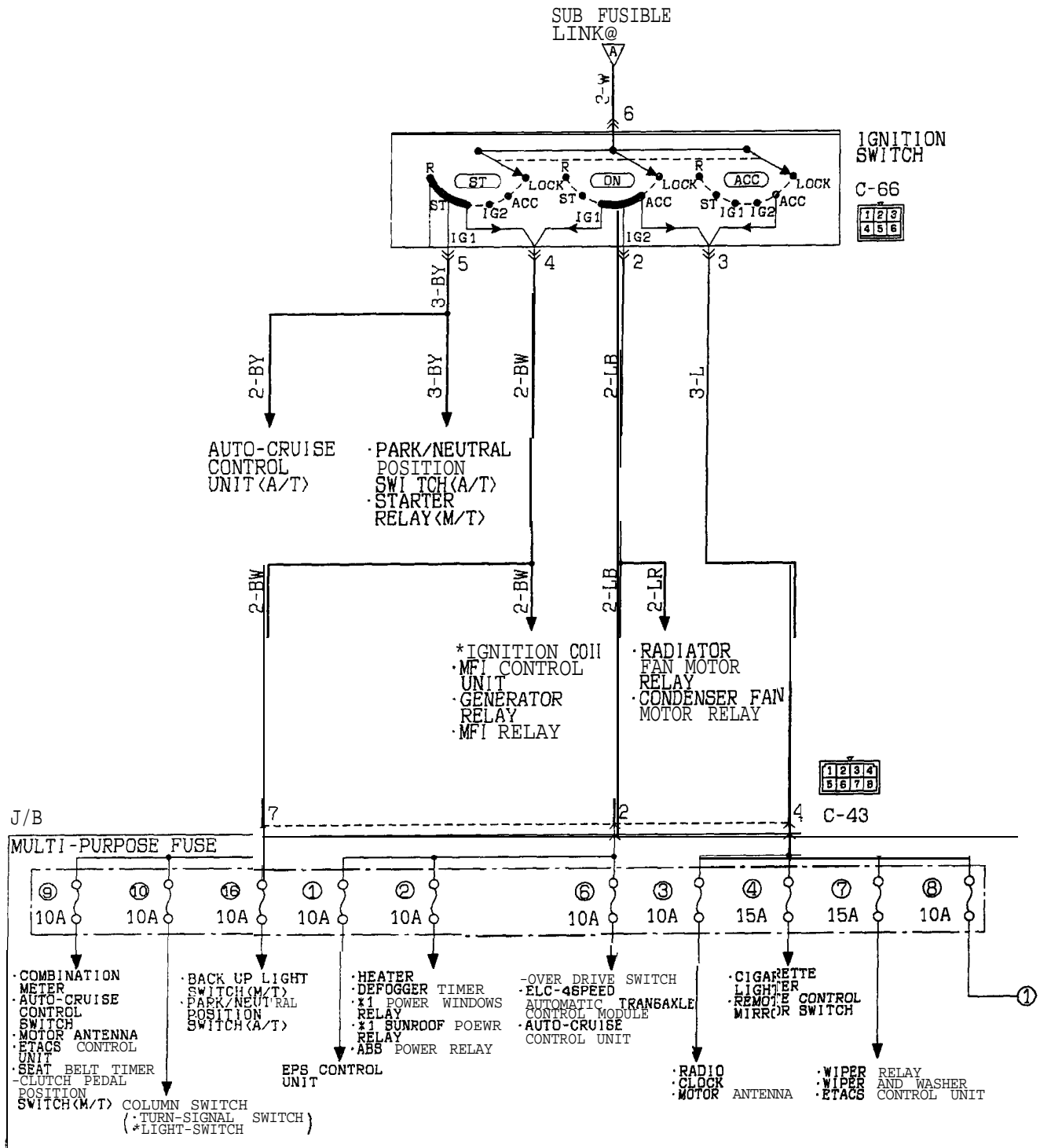


KX35-AC-H0105-NM

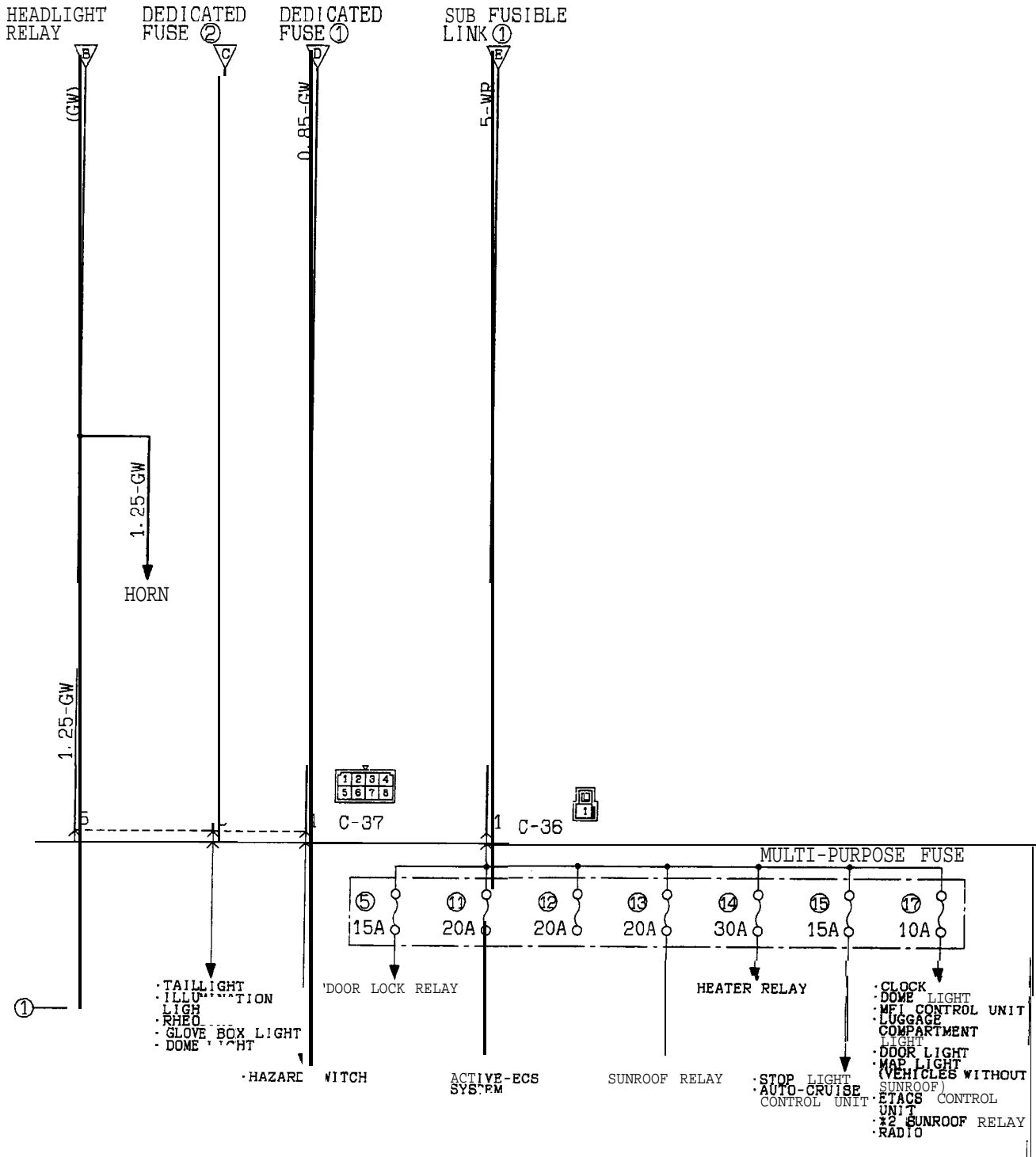
TSB Revision



POWER DISTRIBUTION CIRCUIT (CONTINUED) (1989 MODEL)



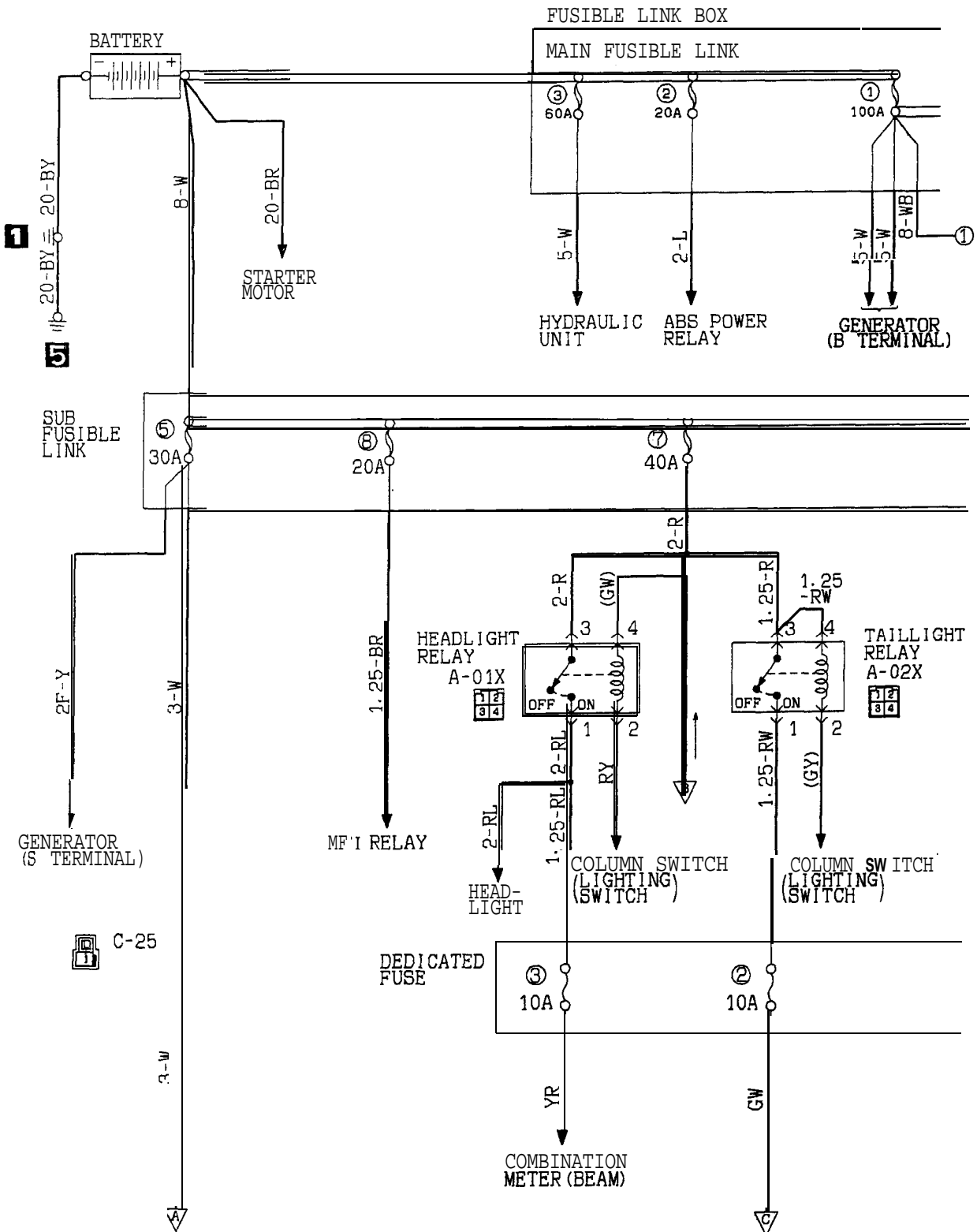
REMARKS
 (1) THE ABOVE CIRCUIT DIAGRAM SHOWS THE CURRENT FLOW AT THE IGNITION KEY POSITIONS "ACC", "ON" AND "ST" COMBINED.
 (2) BE SURE TRACE THE APPROPRIATE CIRCUIT DEPENDING ON THE IGNITION KEY POSITION.

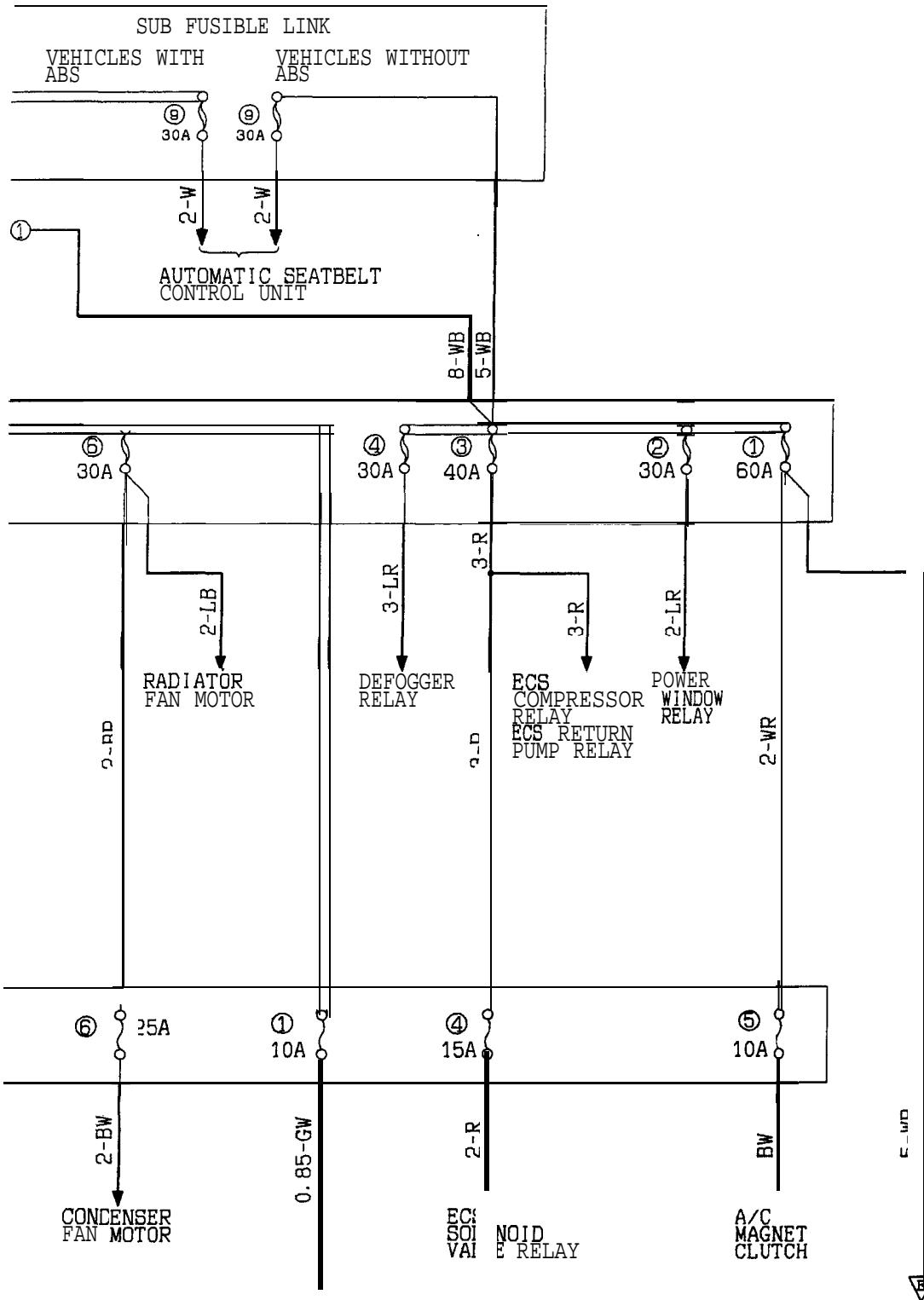


(3)*1 INDICATES VEHICLES WITHOUT AN ETACS CONTROL UNIT.

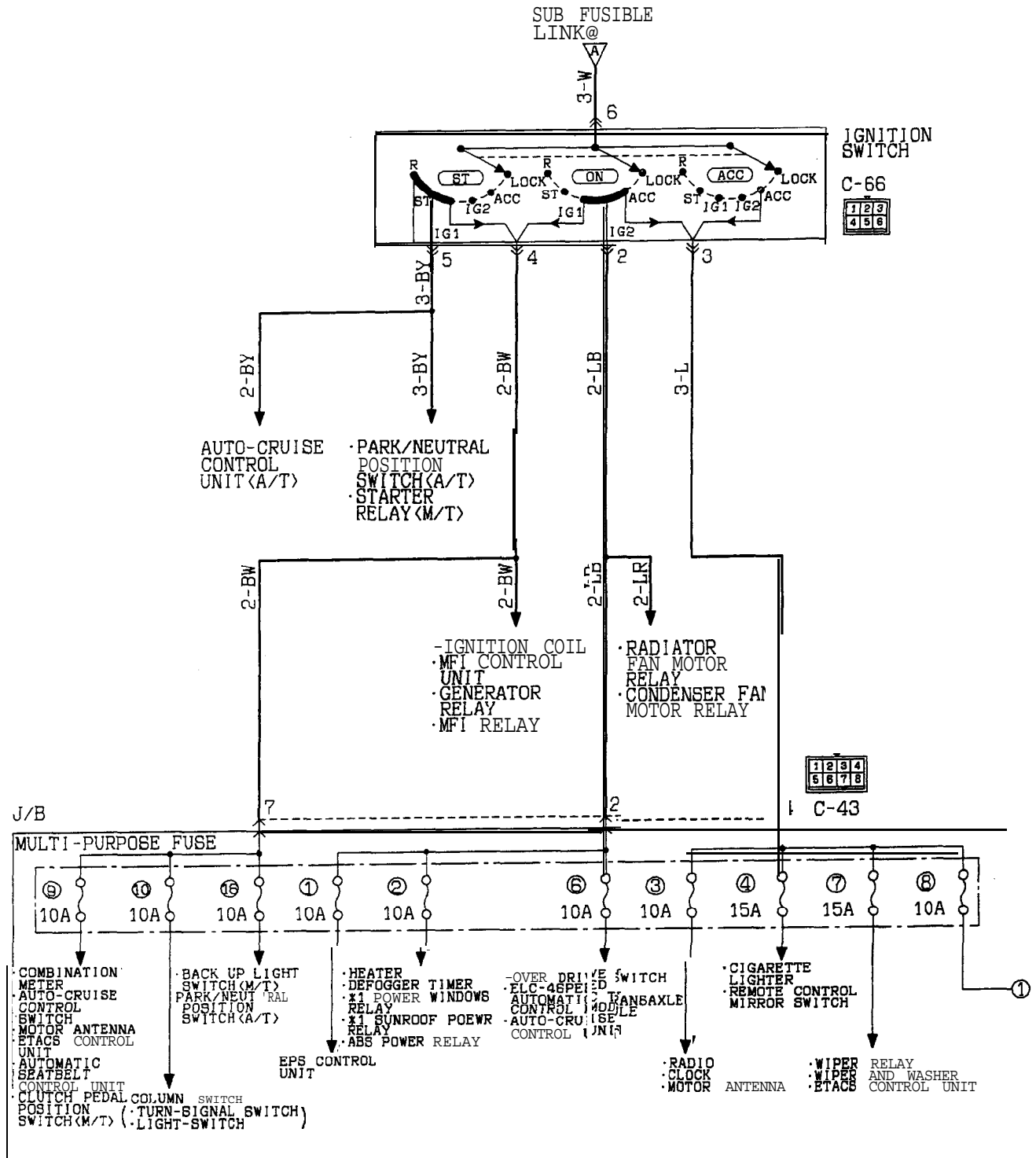
(4)*2 INDICATES VEHICLES WITH AN ETACS CONTROL UNIT.

POWER DISTRIBUTION CIRCUIT (1990 MODELS)





POWER DISTRIBUTION CIRCUIT (CONTINUED) (1990 MODELS)

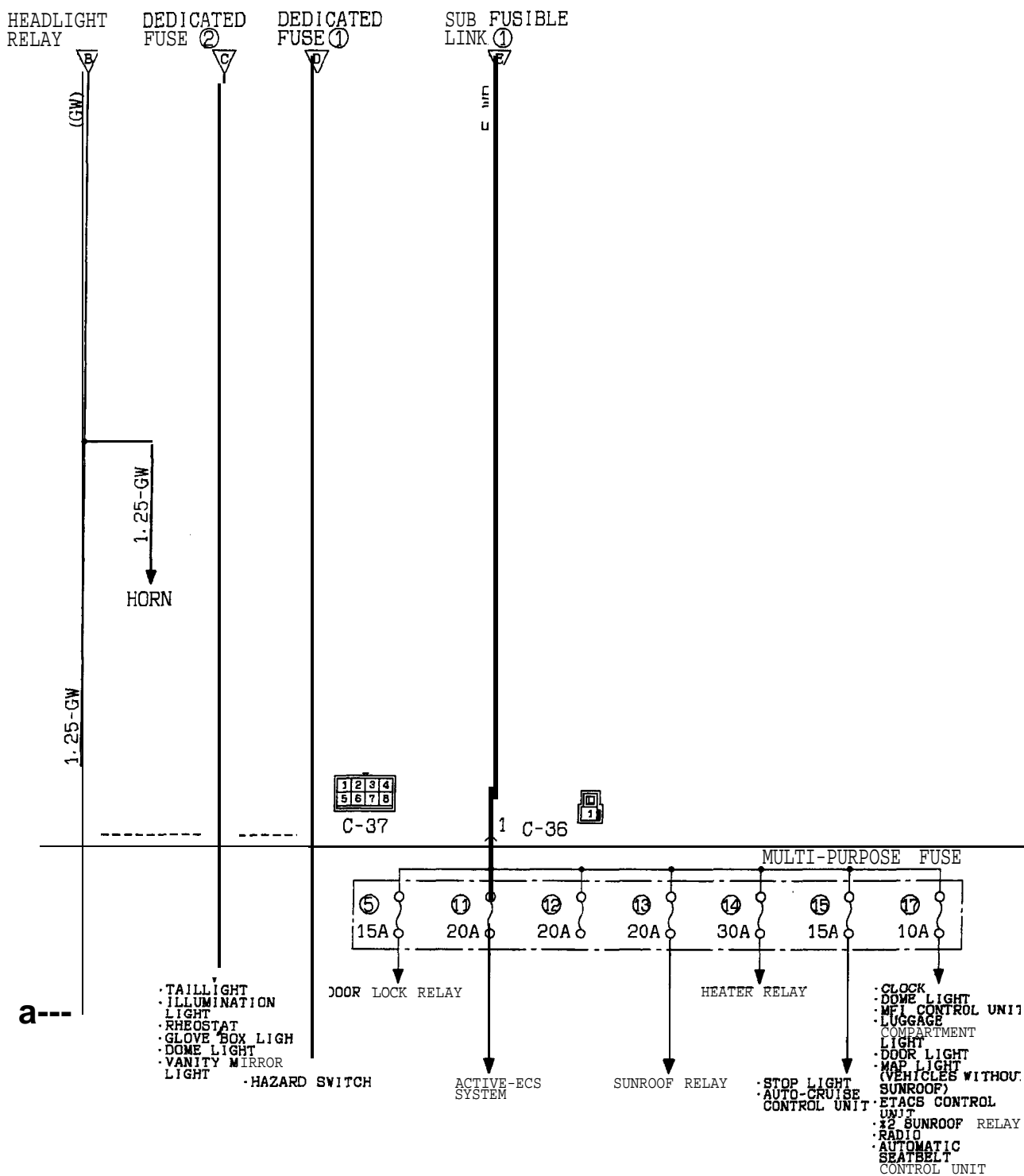


REMARKS

- (1) THE ABOVE CIRCUIT DIAGRAM SHOWS THE CURRENT FLOW AT THE IGNITION KEY POSITIONS "ACC", "ON" AND "ST" COMBINED.
- (2) BE SURE TRACE THE APPROPRIATE CIRCUIT DEPENDING ON THE IGNITION KEY POSITION.

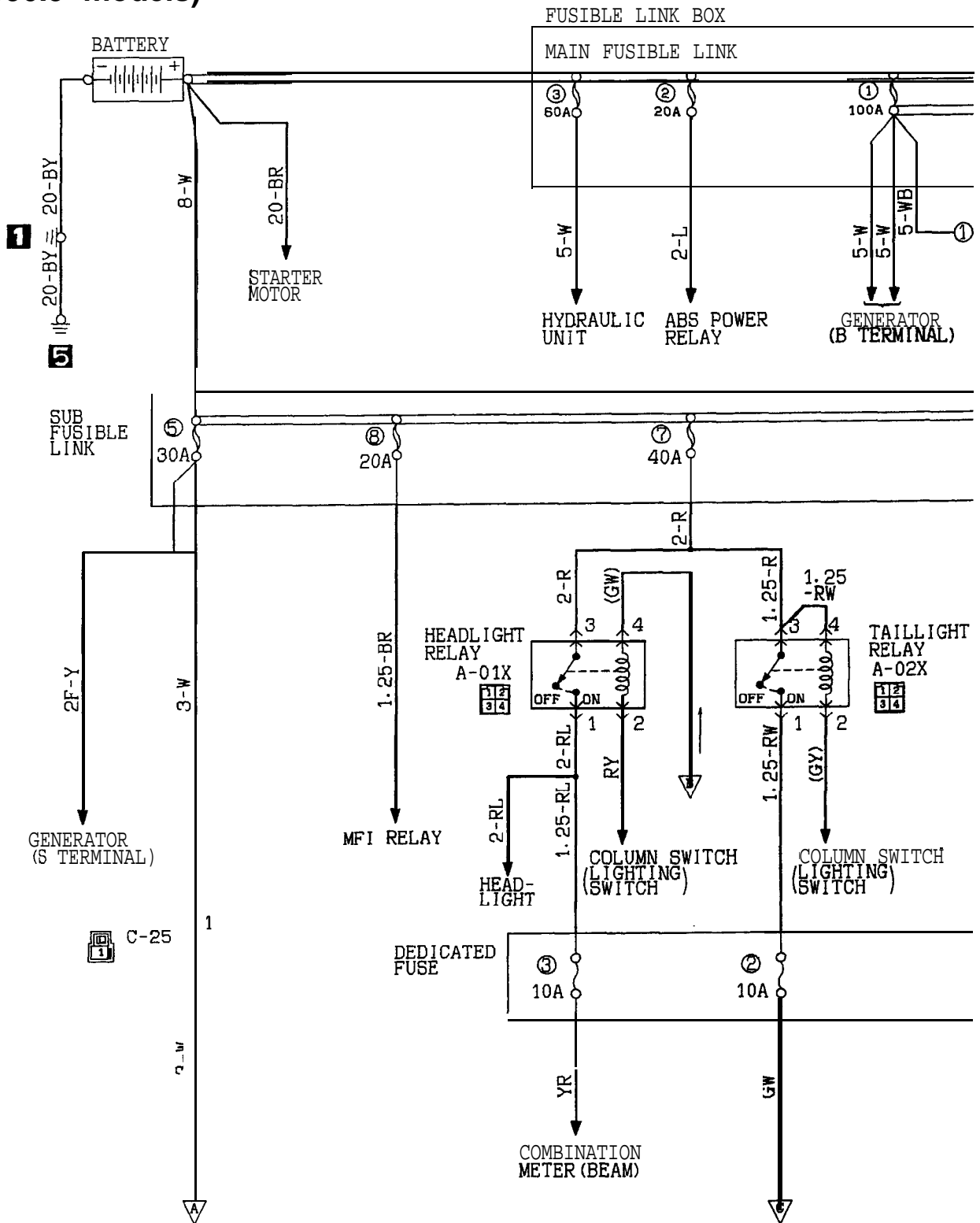
KX35-AC-H0106A-NM

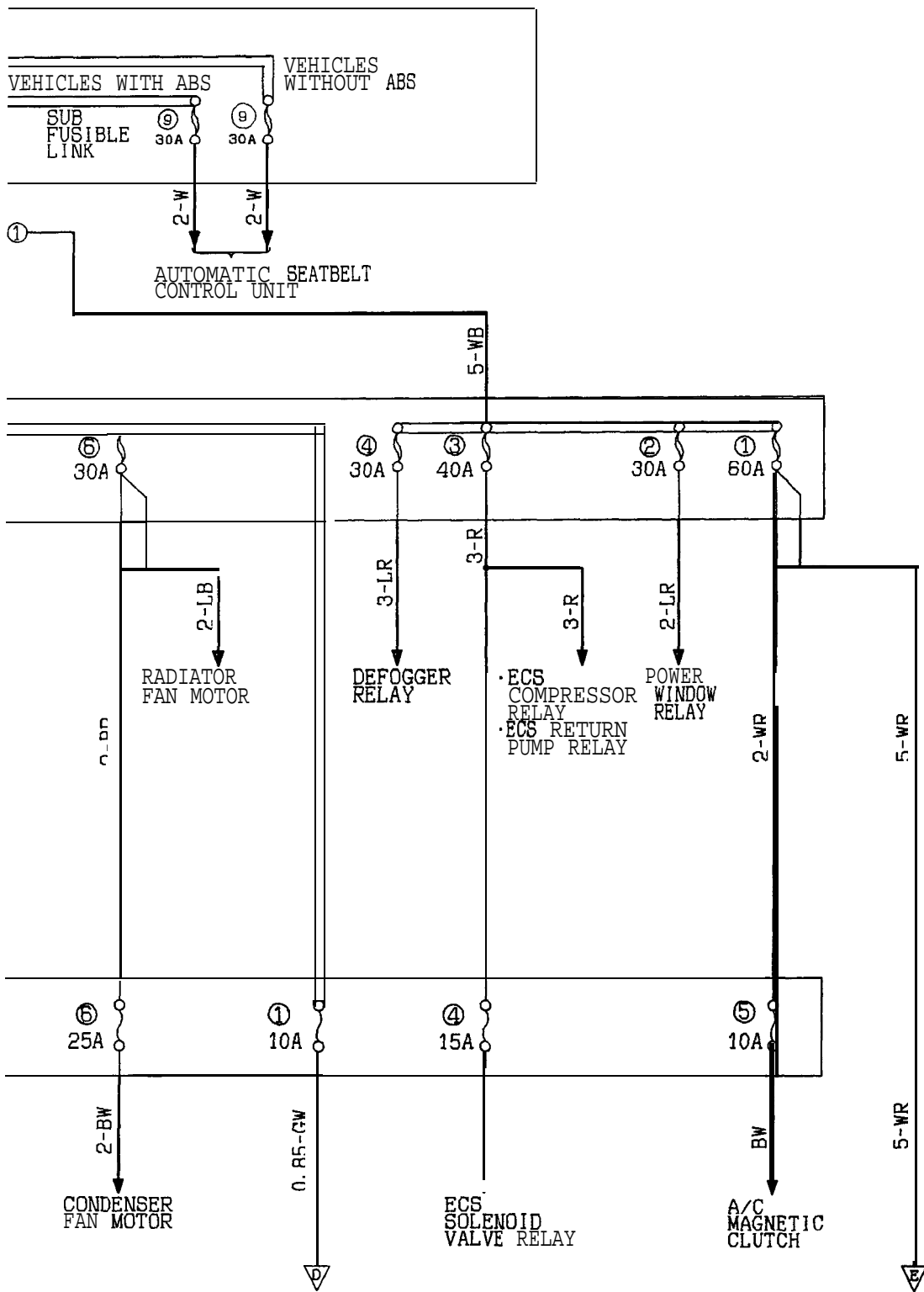
TSB Revision



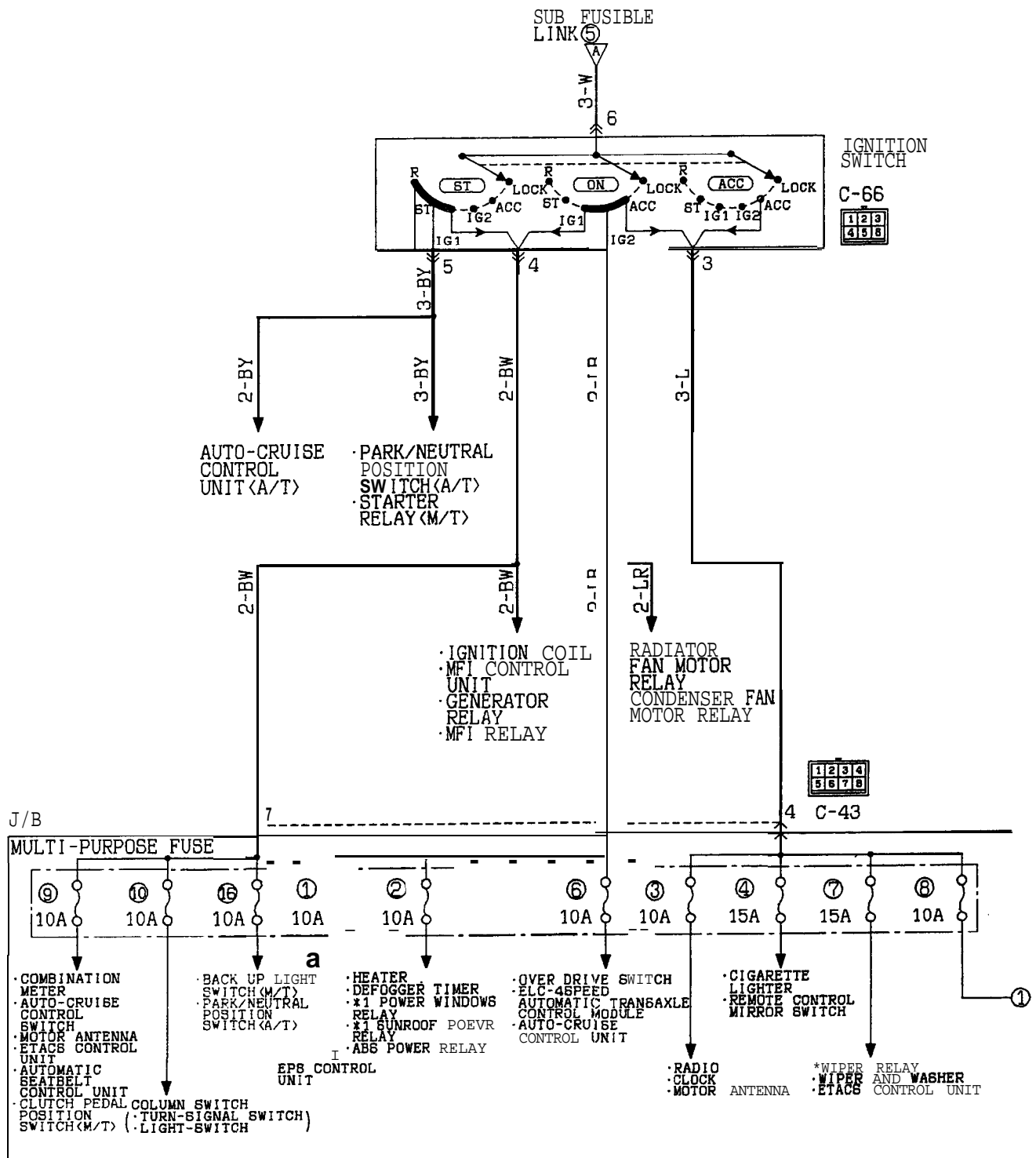
(3) *1 INDICATES VEHICLES WITHOUT AN ETACS CONTROL UNIT.
 (4) *2 INDICATES VEHICLES WITH AN ETACS CONTROL UNIT.

POWER DISTRIBUTION CIRCUIT (1990.5 models)





POWER DISTRIBUTION CIRCUIT (CONTINUED) (1990.5 models)

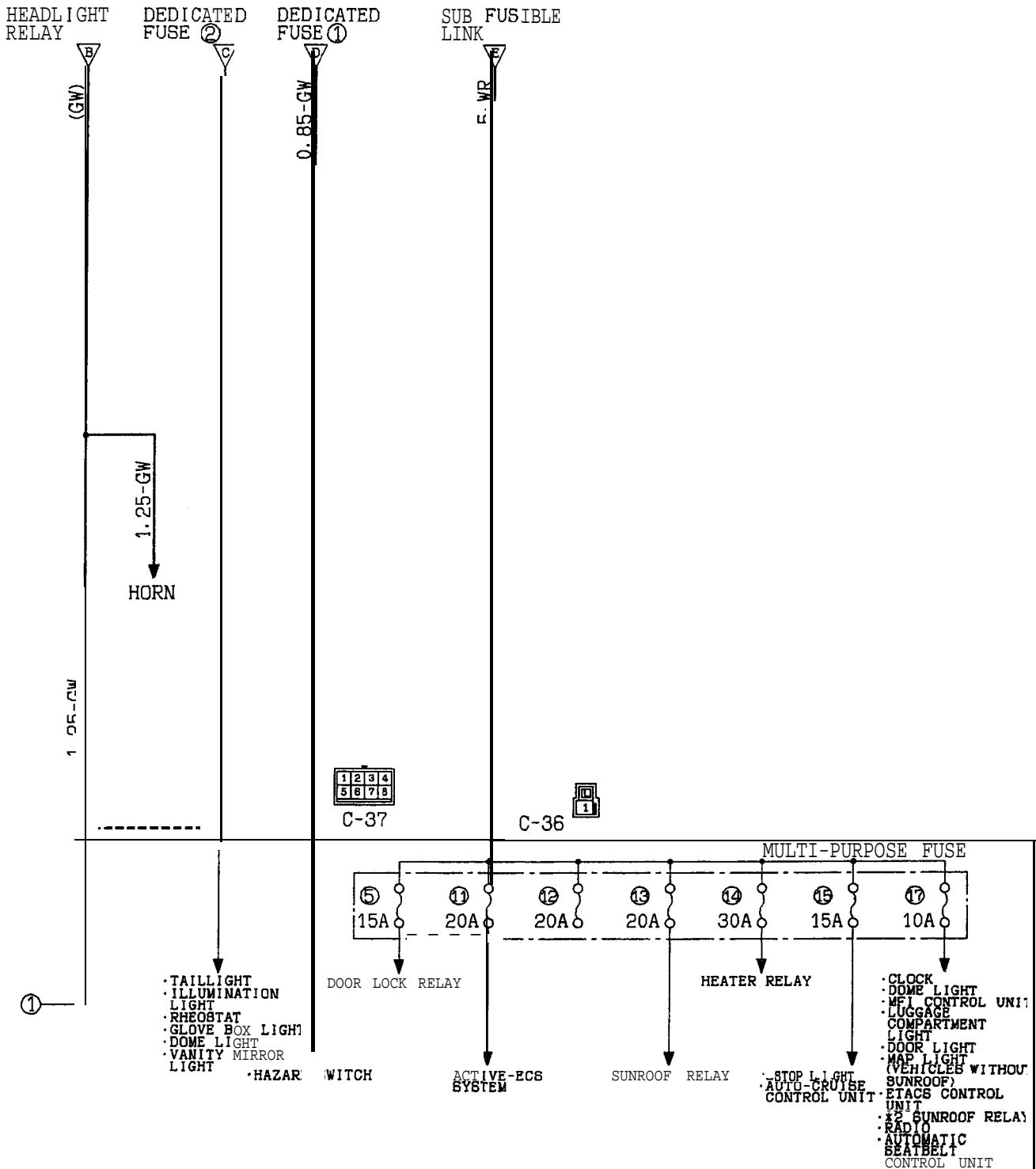


REMARKS

- (1) THE ABOVE CIRCUIT DIAGRAM SHOWS THE CURRENT FLOW AT THE IGNITION KEY POSITIONS "ACC", "ON" AND "ST" COMBINED.
- (2) BE SURE TRACE THE APPROPRIATE CIRCUIT DEPENDING ON THE IGNITION KEY POSITION.

KX35-AC-H0108A-NM

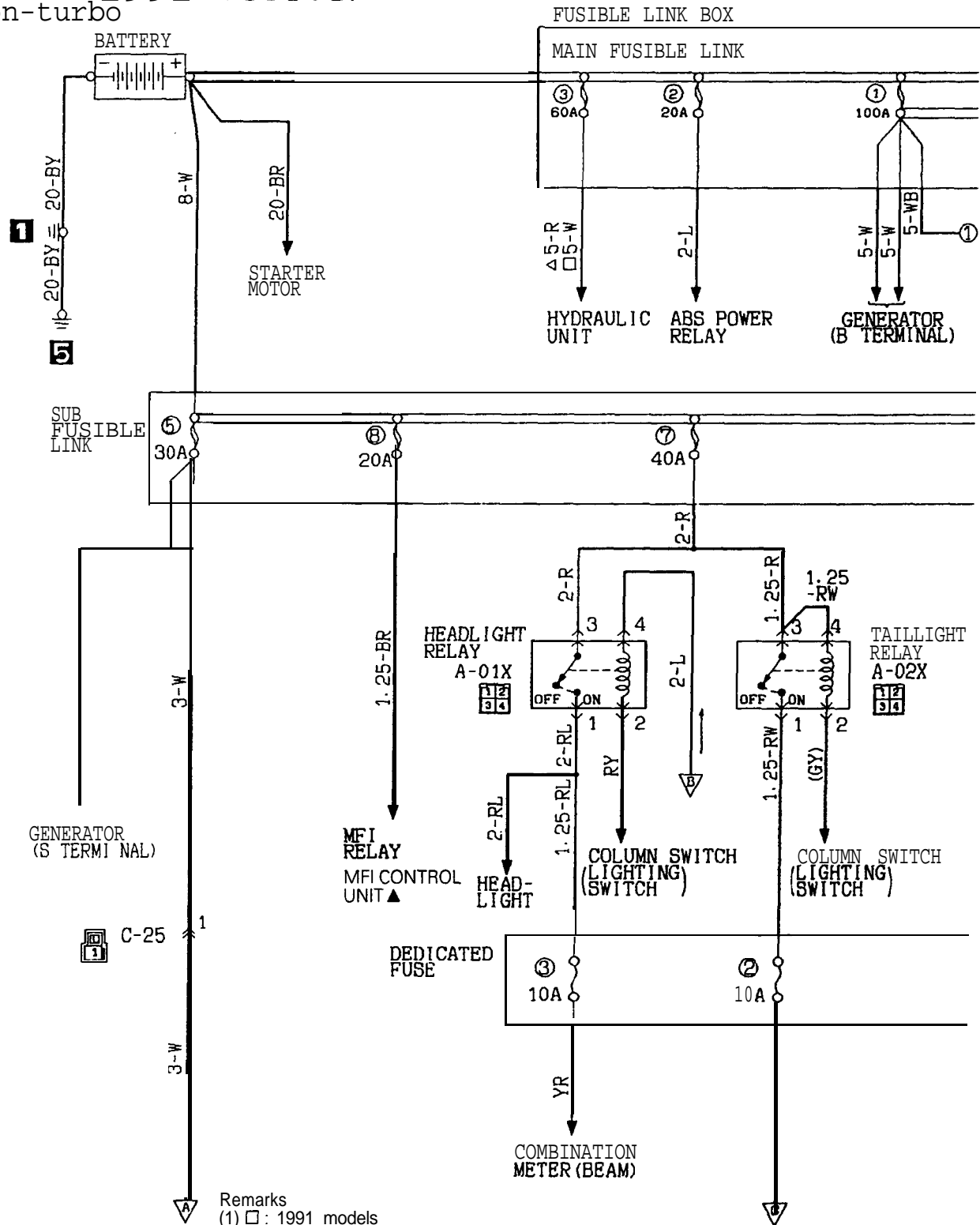
TSB Revision



(3)*1 INDICATES VEHICLES WITHOUT AN ETACS CONTROL UNIT.

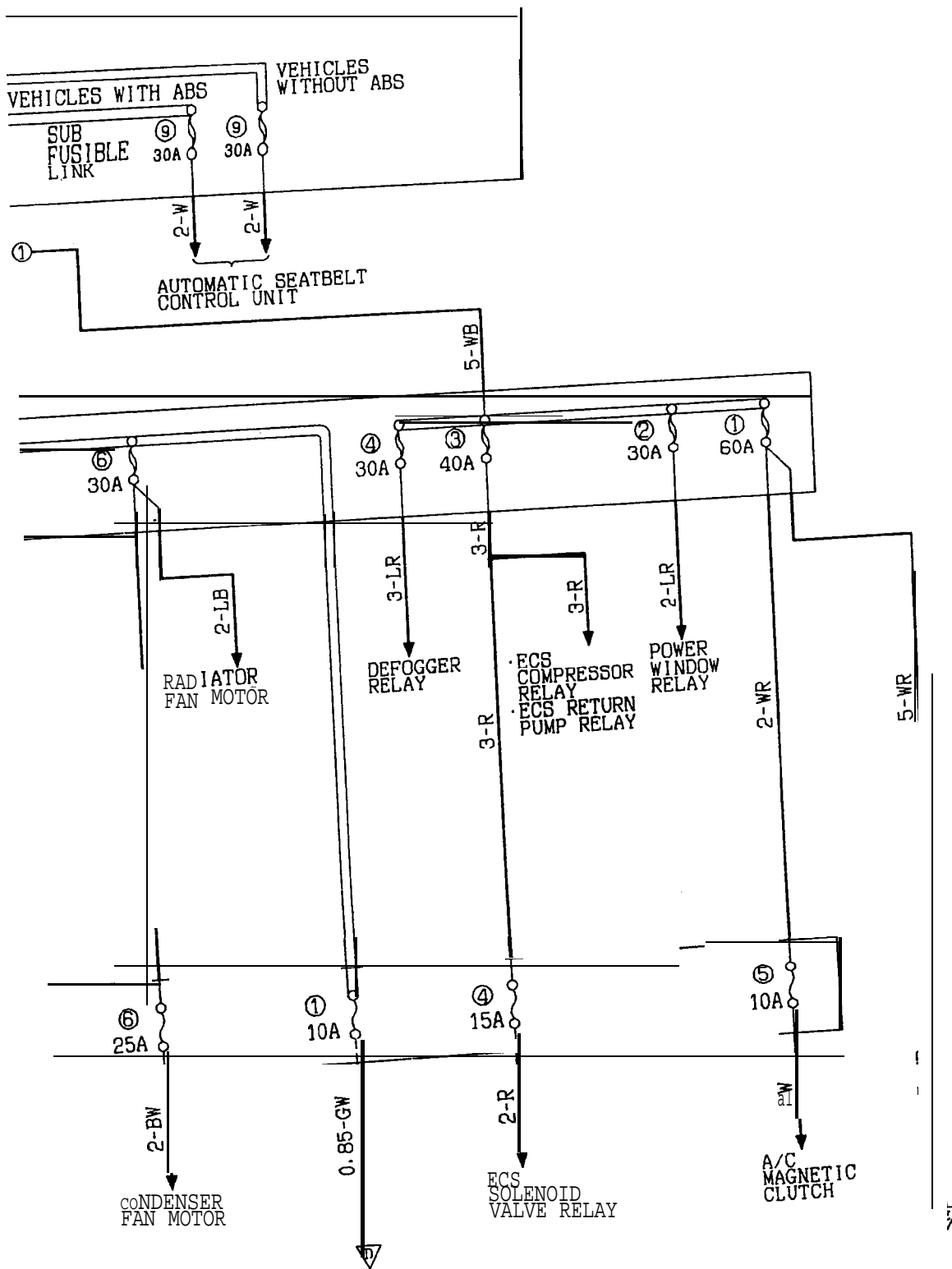
(4)*2 INDICATES VEHICLES WITH AN ETACS CONTROL UNIT.

POWER DISTRIBUTION CIRCUIT
(From 1991 models)
Non-turbo



- Remarks
 (1) □: 1991 models
 (2) ▲: 1992 models
 (3) *: DOHC <From 1992 models>
 (4) ▲: SOHC <1993 models>

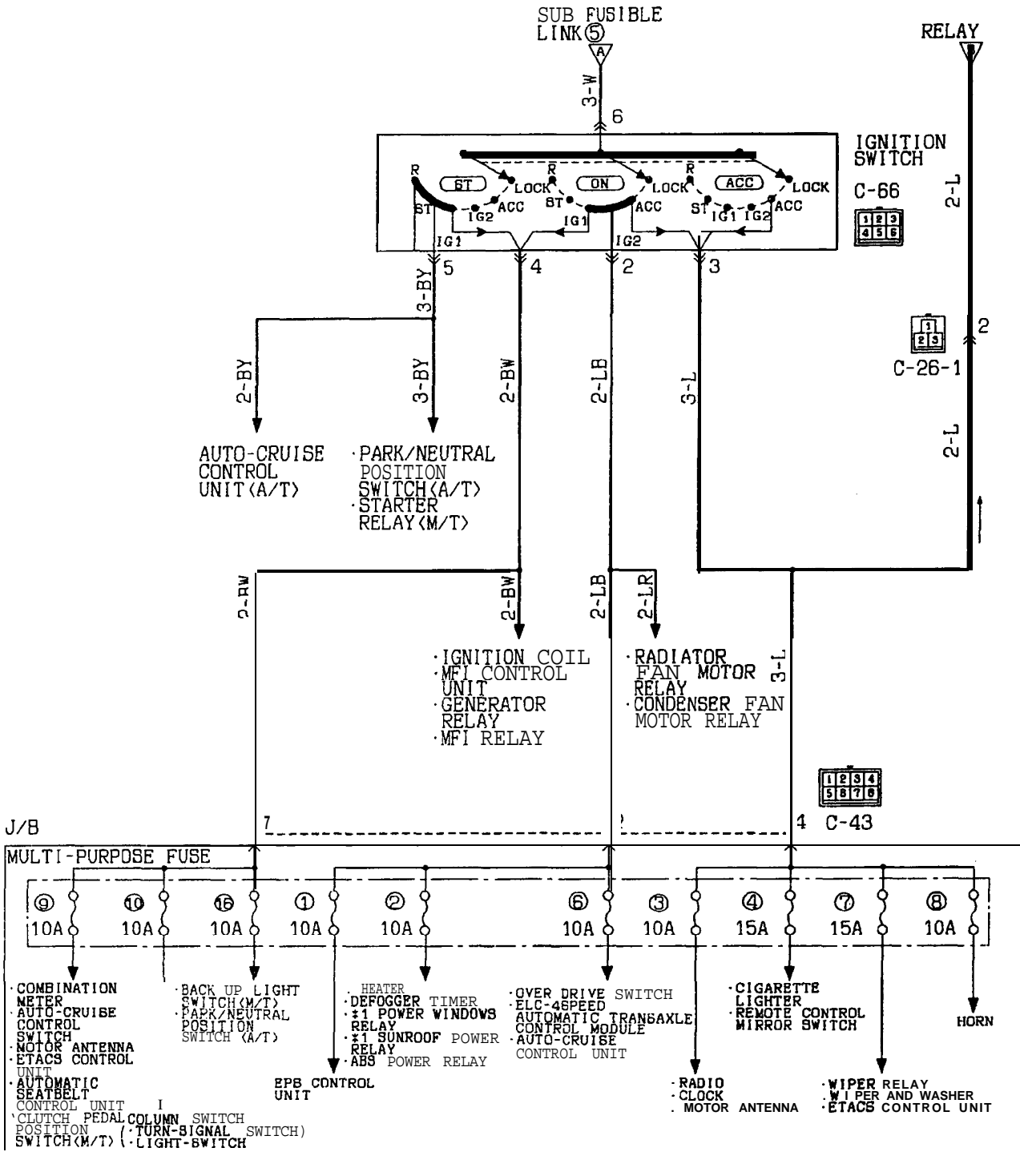
CIRCUIT DIAGRAMS – Power Distribution Circuit



POWER DISTRIBUTION CIRCUIT (CONTINUED)

(From 1991 models)

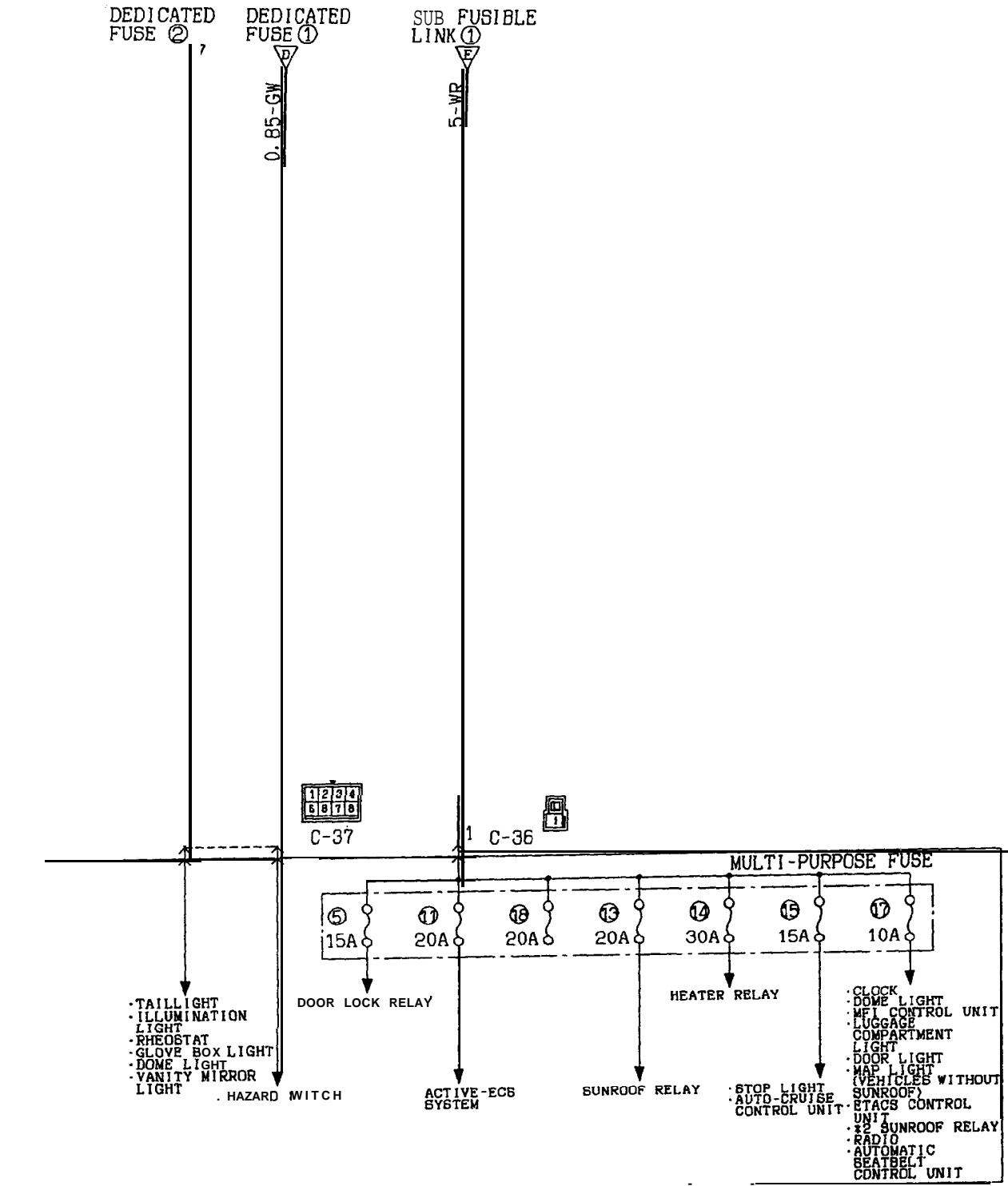
Non-turbo



Remarks

- (1) The above circuit diagram shows the current flow at the ignition key positions "ACC", "ON" and "ST" combined.
- (2) Be sure trace the appropriate circuit depending on the ignition key position.

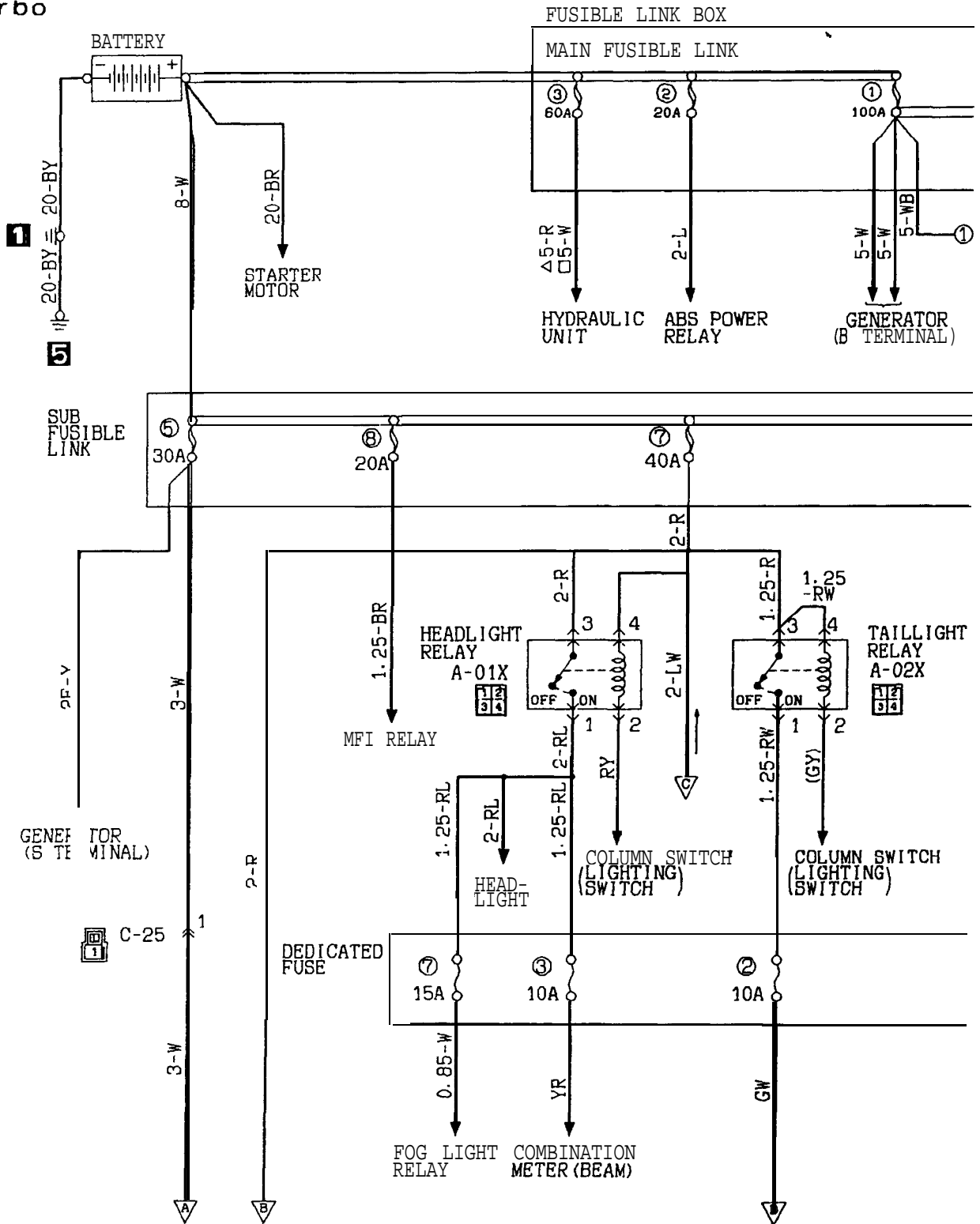
XX35-AC-H0112A-NM



(3) *1 Indicates vehicles without an ETACS control unit.
 (4) *2 Indicates vehicles with an ETACS control unit.

POWER DISTRIBUTION CIRCUIT

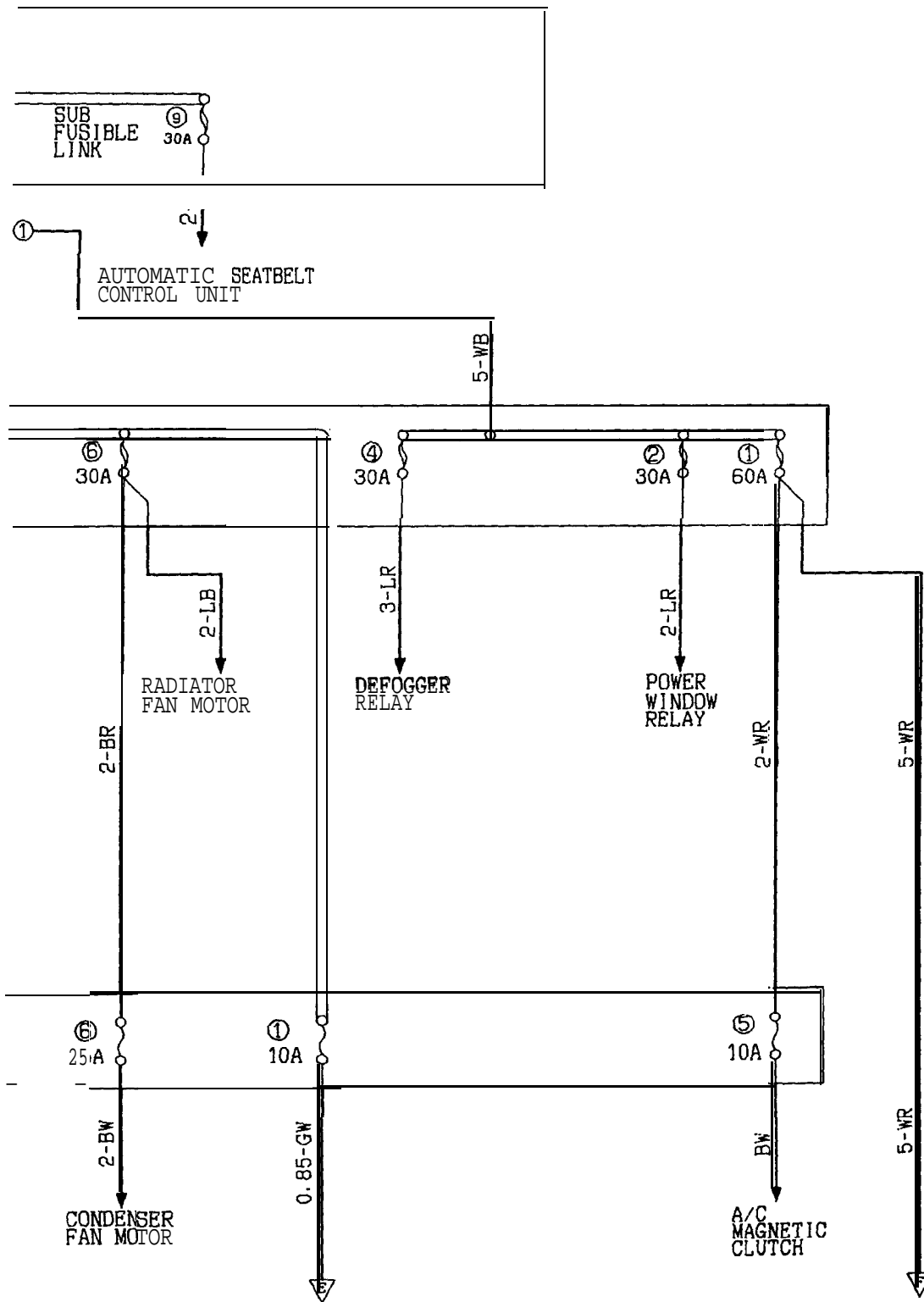
(From 1991 models)
Turbo



Remarks
(1)□: 1991 models
(2)△: 1992 models

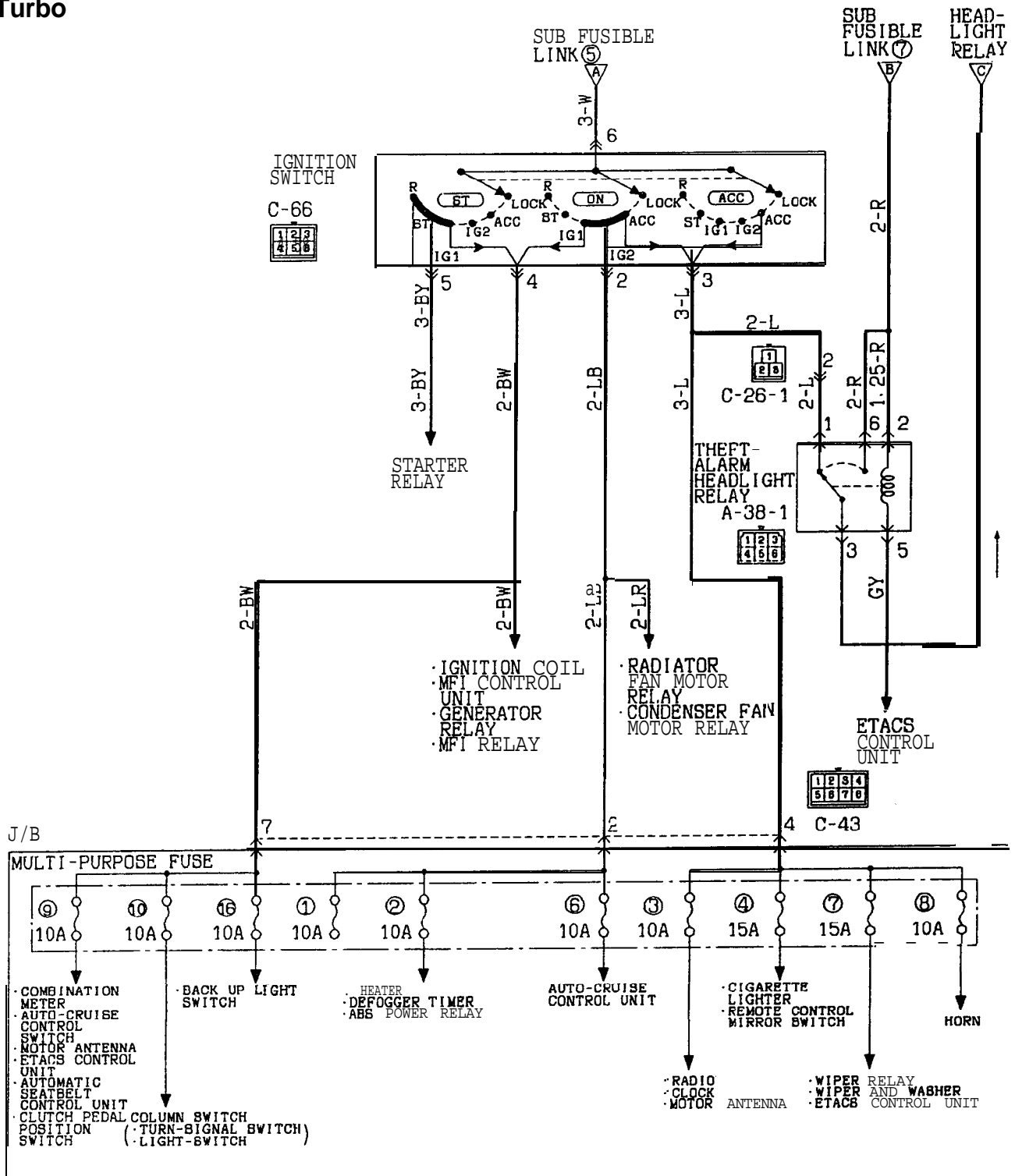
135-AC-H0113-NM

TSB Revision



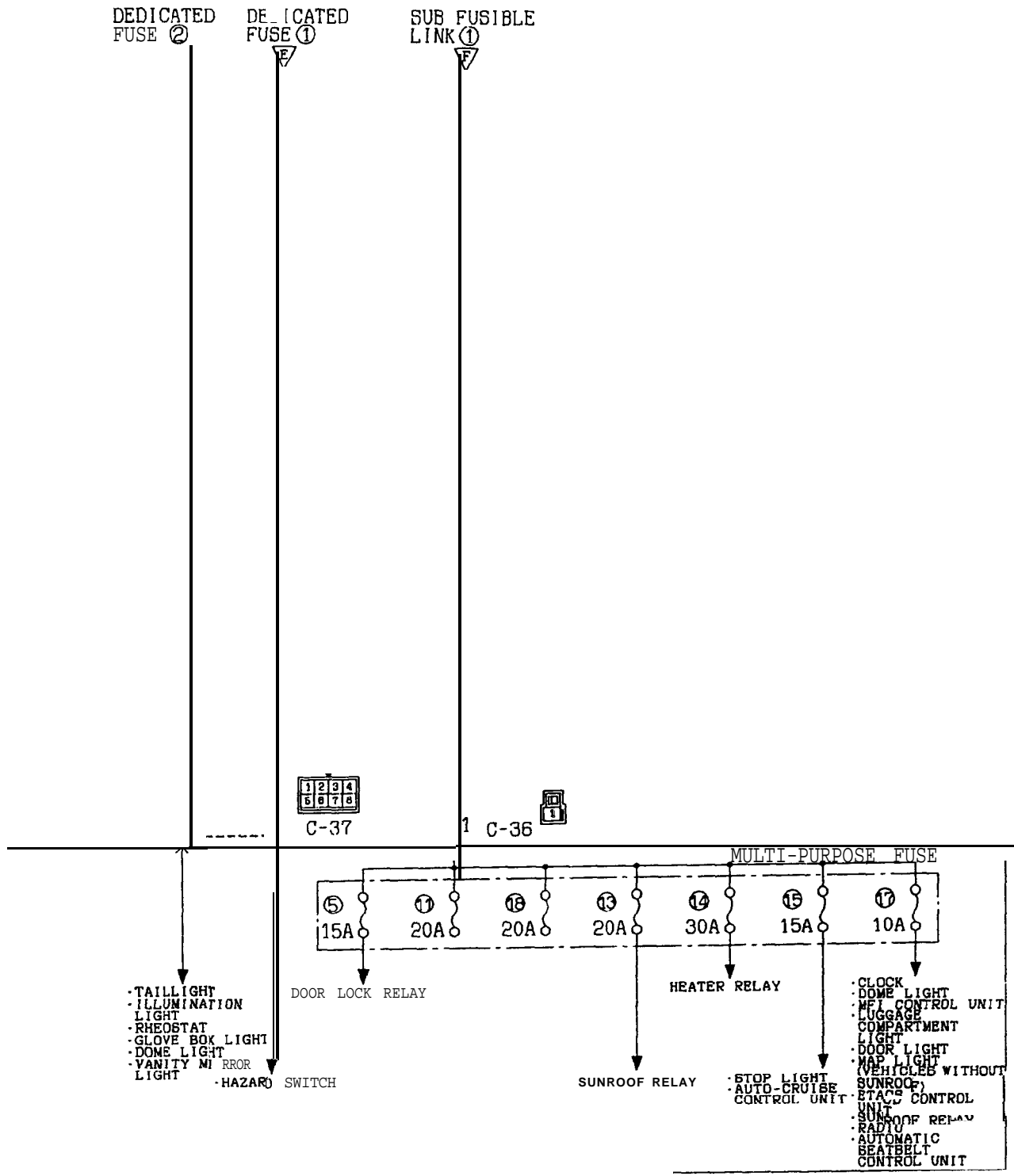
POWER DISTRIBUTION CIRCUIT (CONTINUED) (From 1991 models)

Turbo



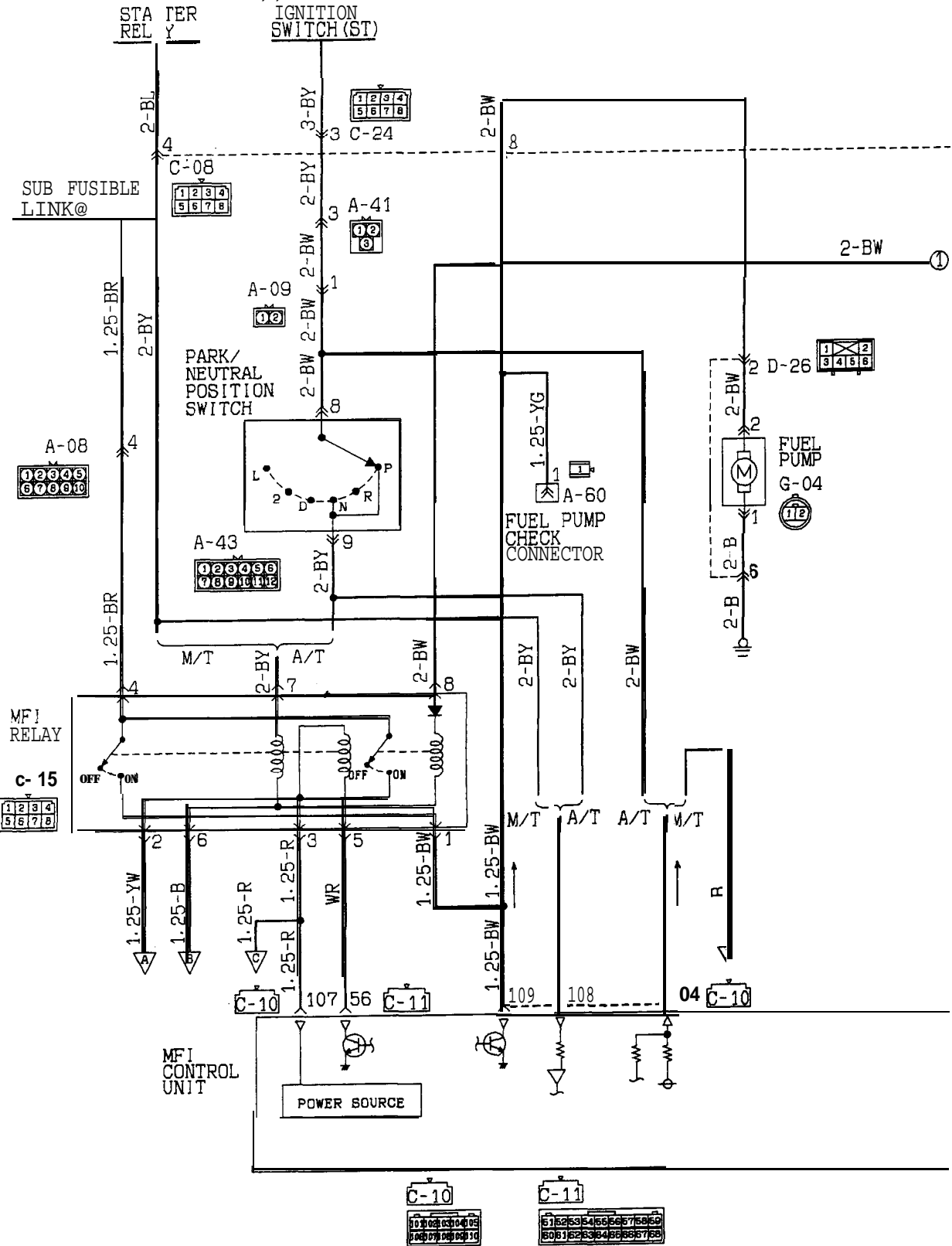
Remarks

- (1) The above circuit diagram shows the current flow at the ignition key positions "ACC", "ON" and "ST" combined.
- (2) Be sure trace the appropriate circuit depending on the ignition key position.



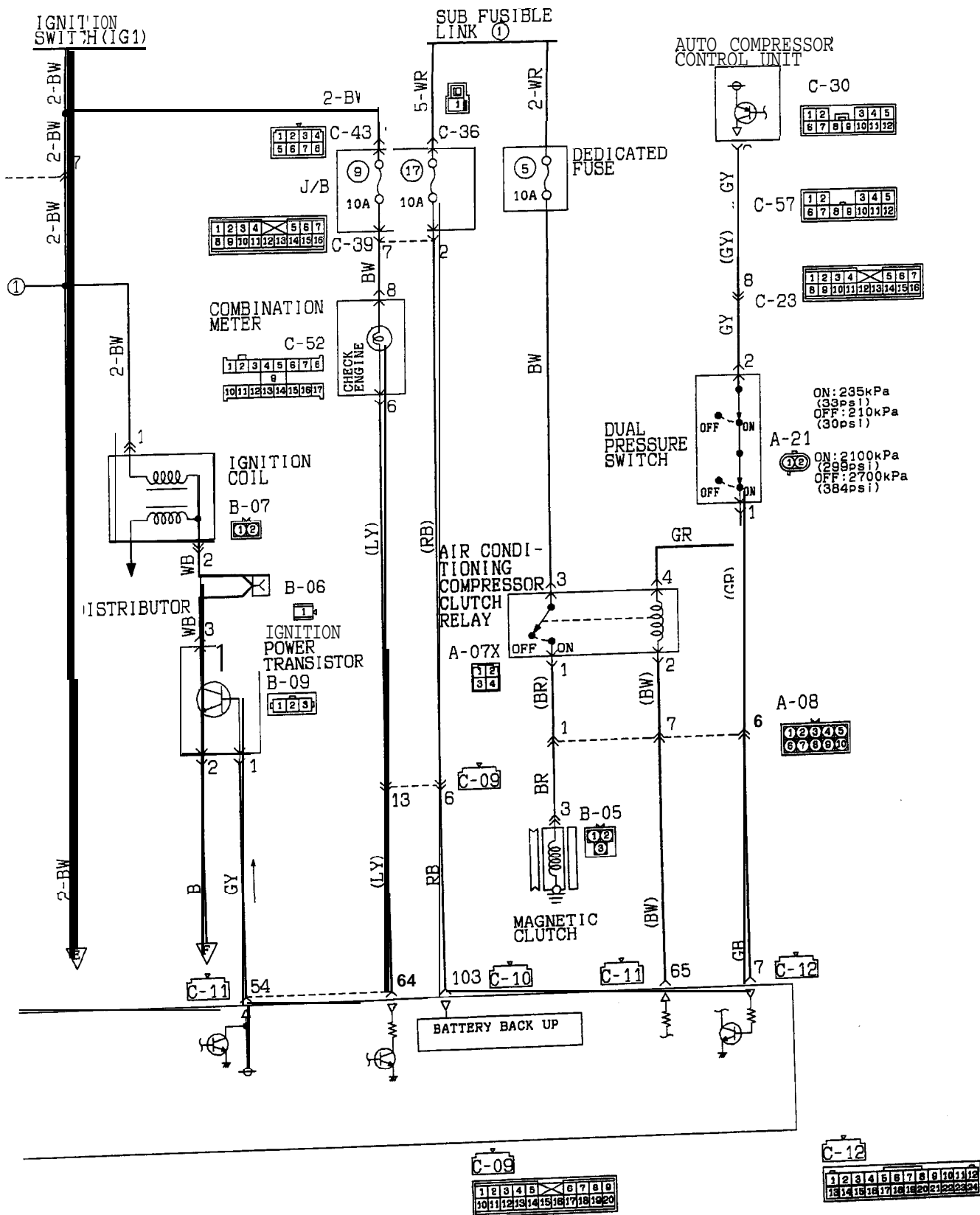
MFI CIRCUIT

(SOHC (1989 models))



X35-AC-H0525-NM

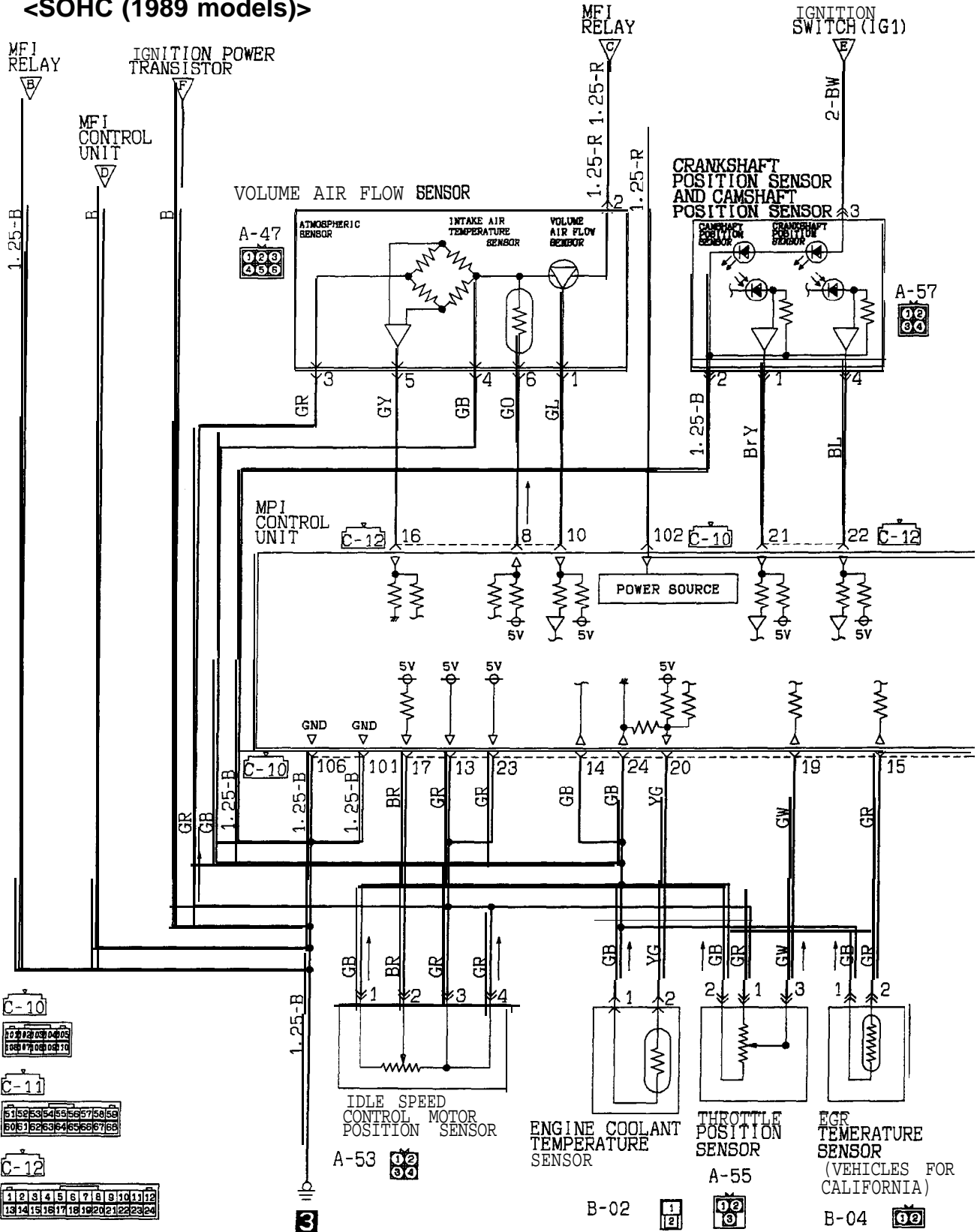
TSB Revision



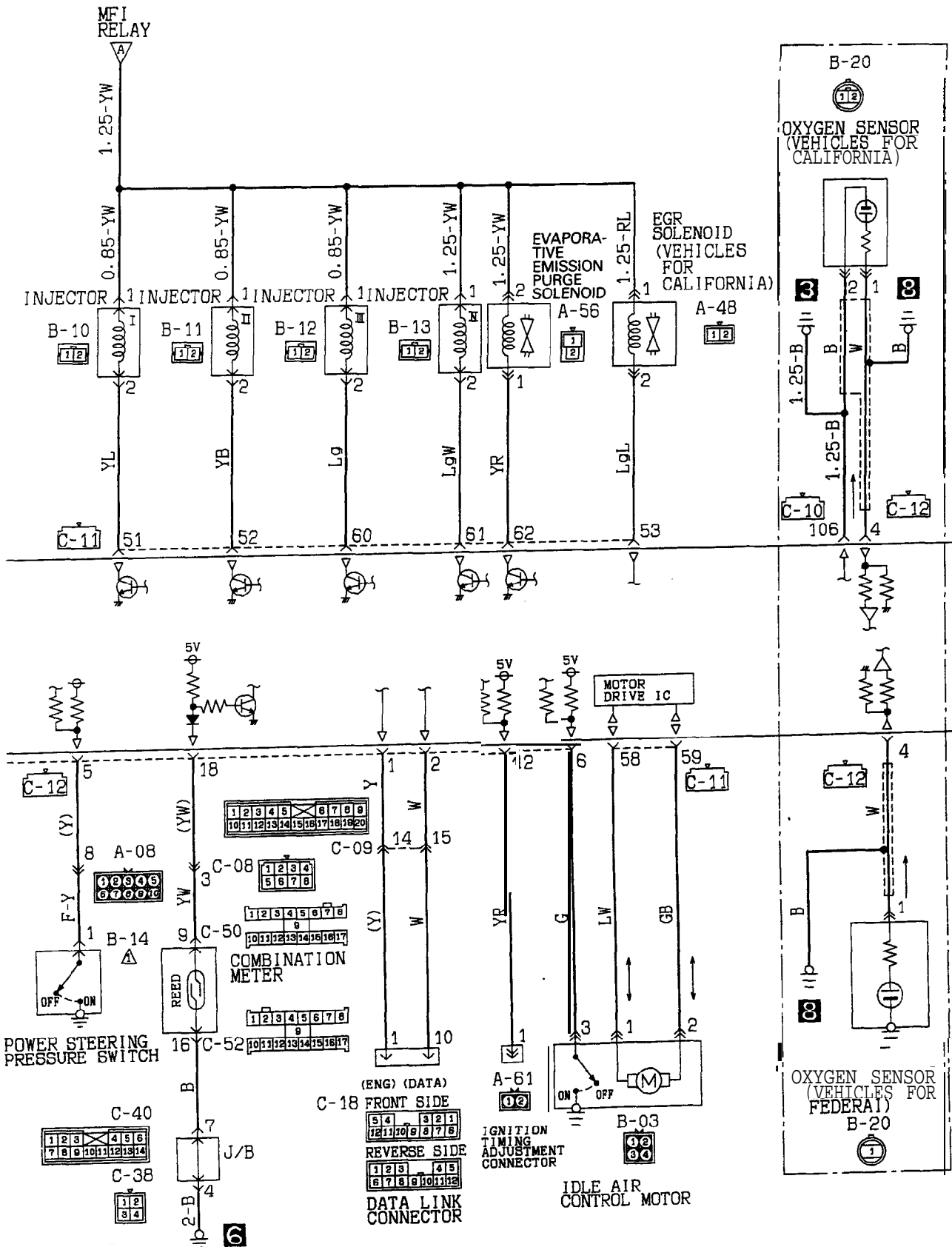
TSB Revision

MFI CIRCUIT (CONTINUED)

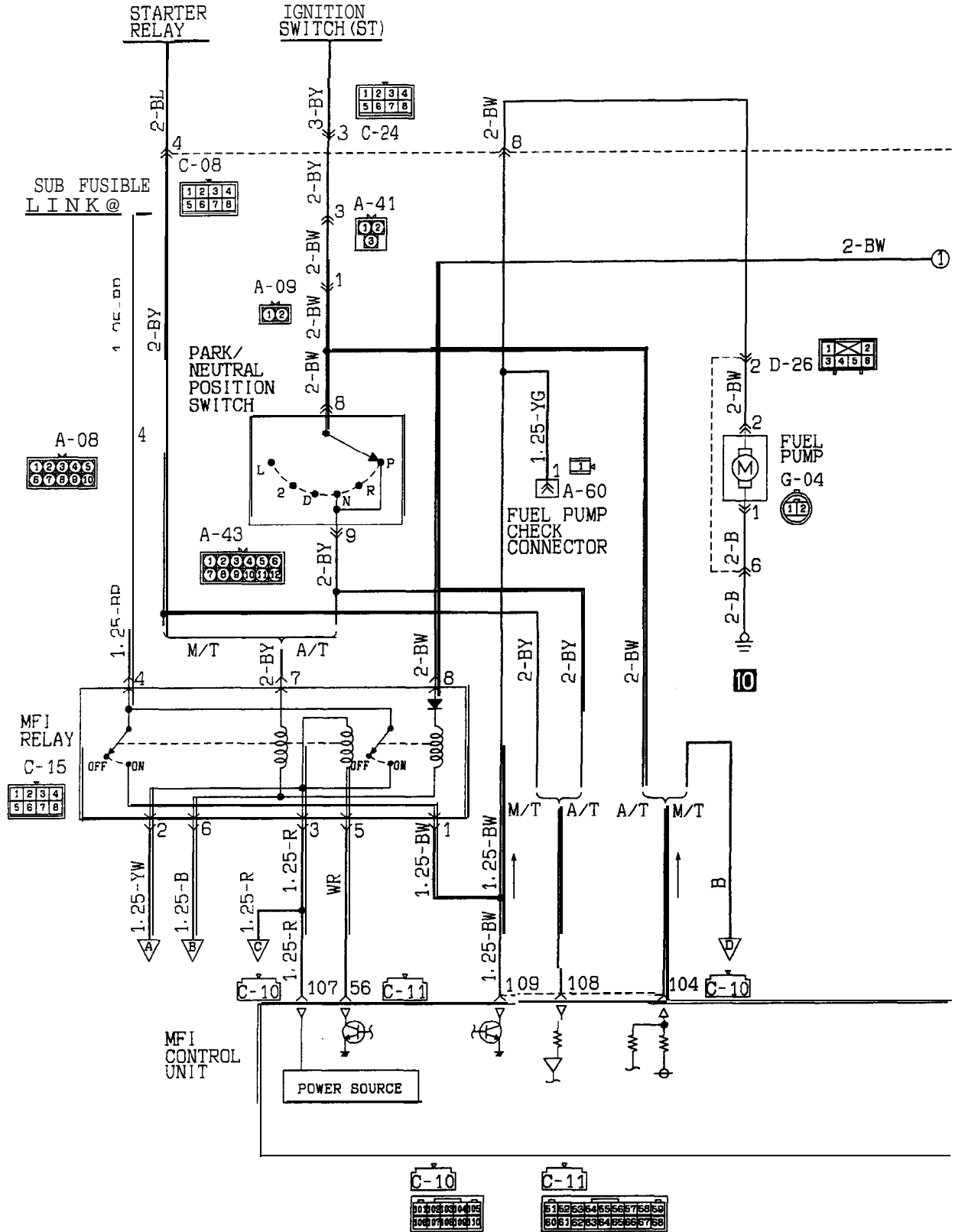
<SOHC (1989 models)>



KX35-AC-H0525A-NM

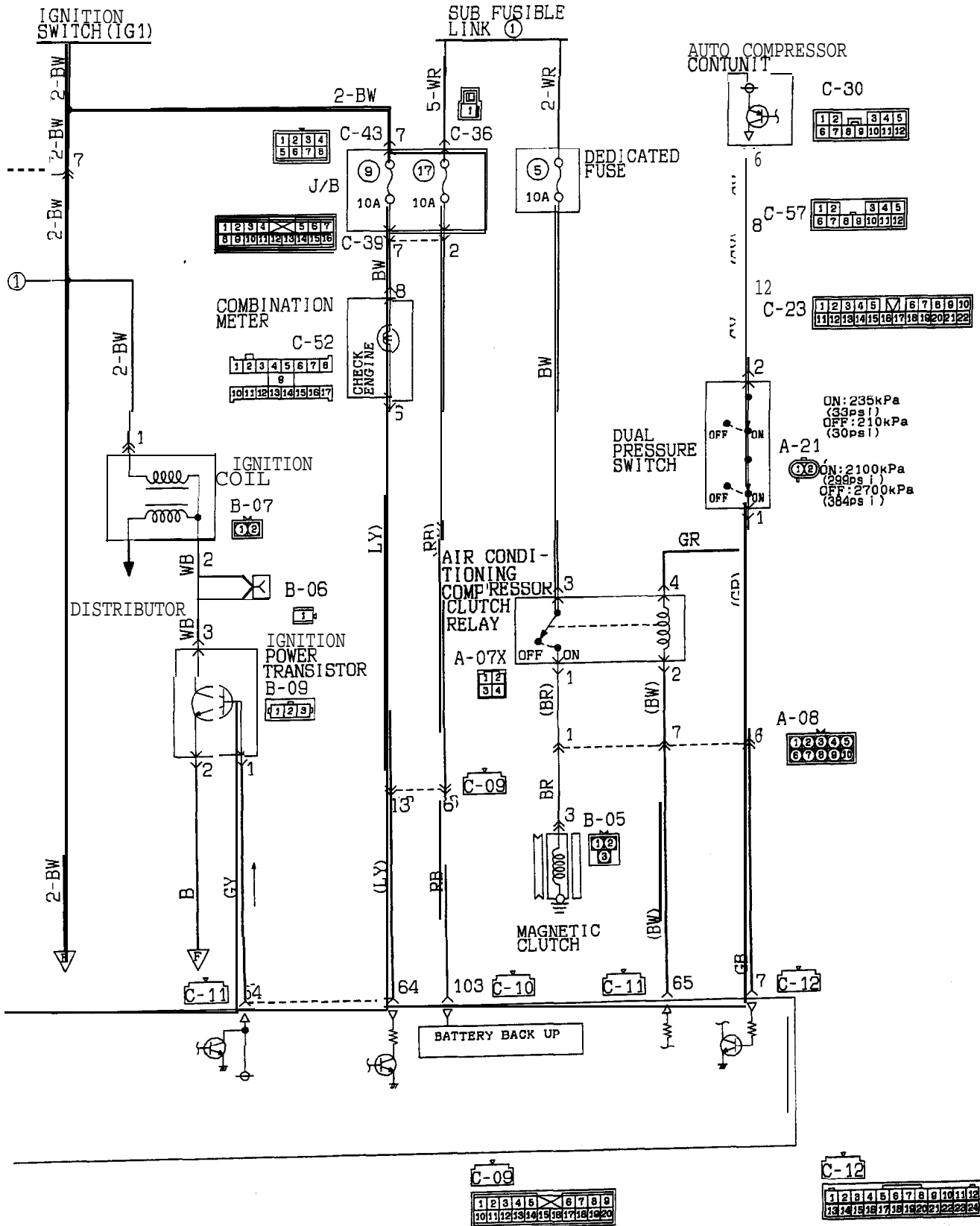


MFI CIRCUIT <SOHC (1990 models)>



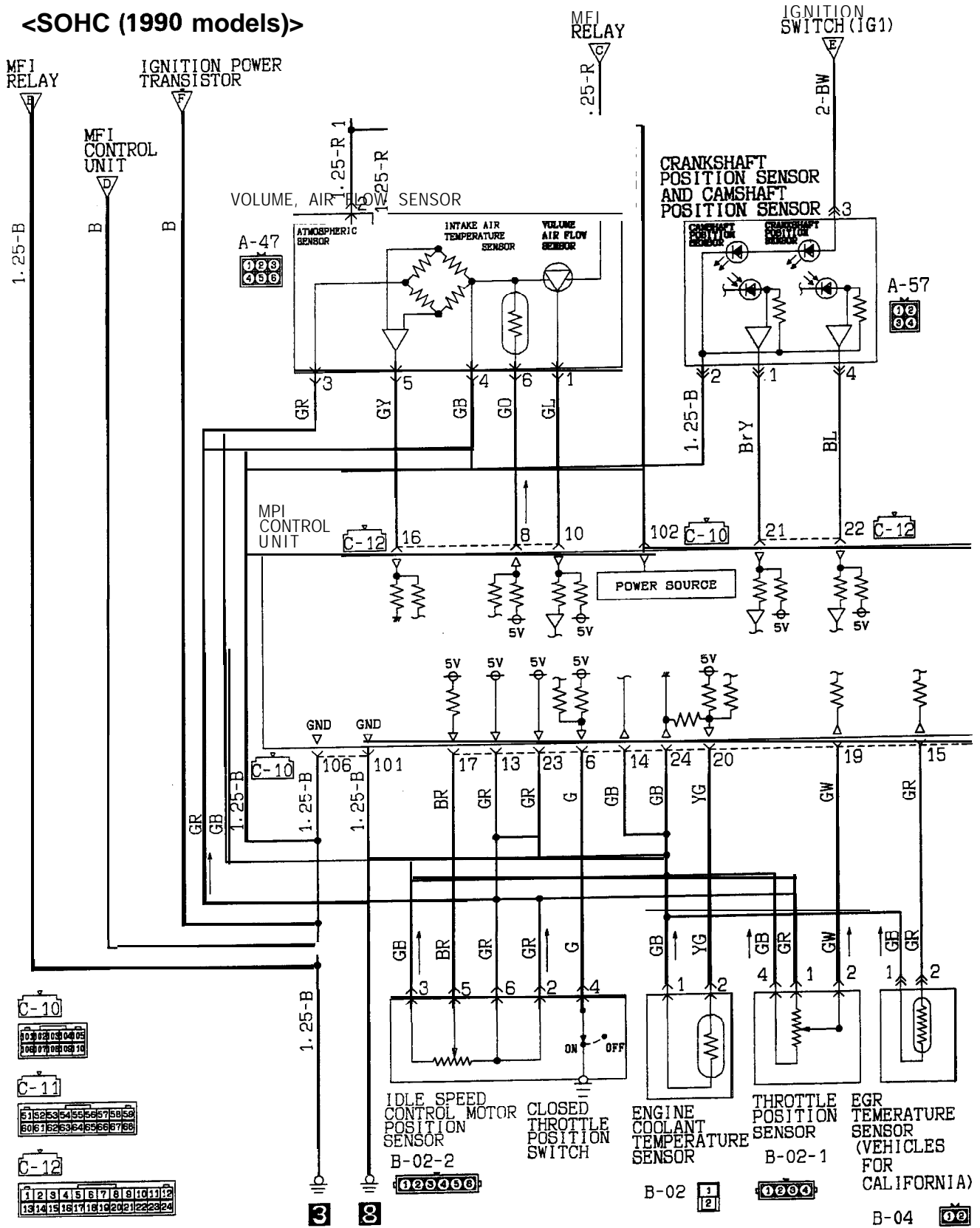
(35-AC-H0526-NM

TSB Revision



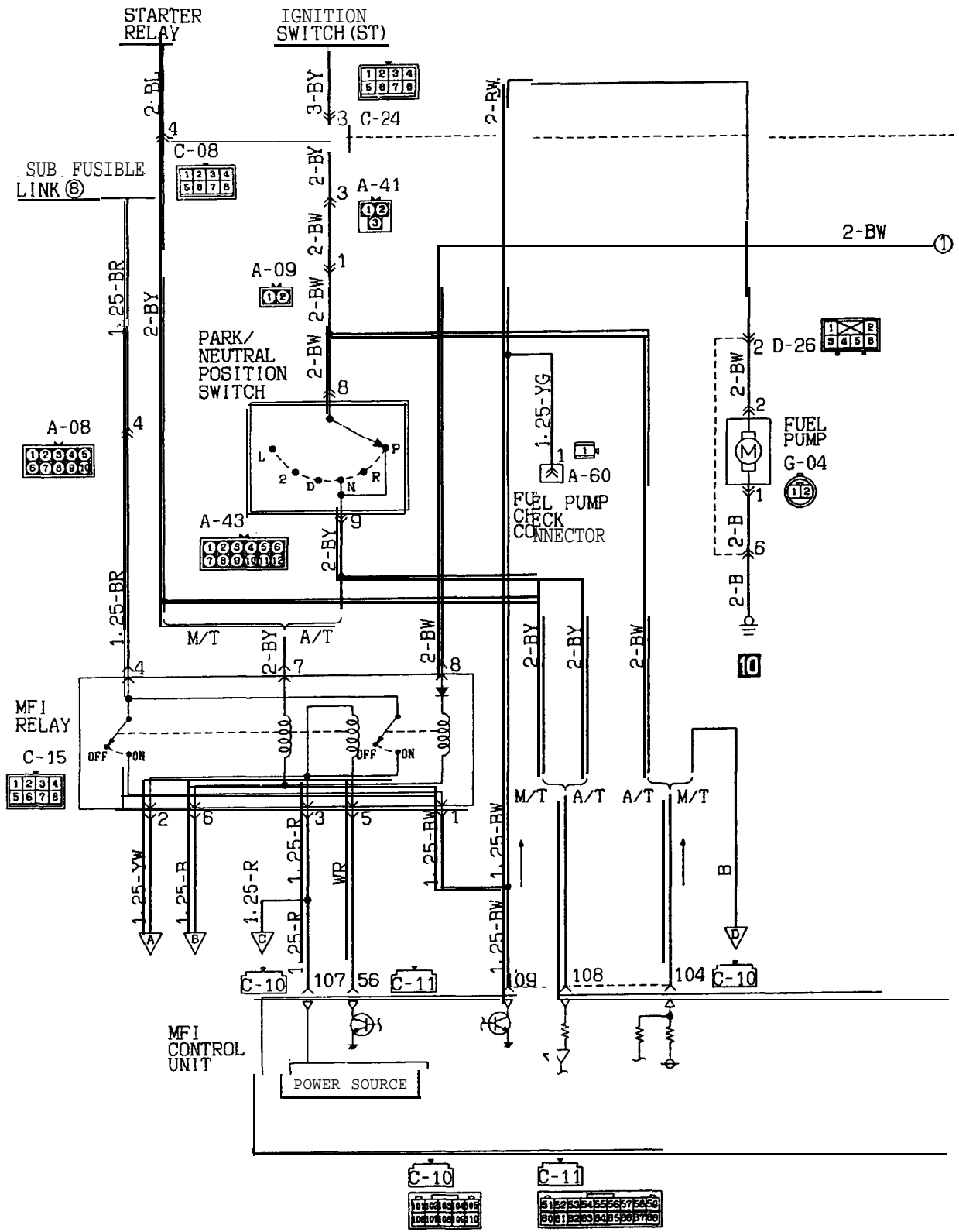
MFI CIRCUIT (CONTINUED)

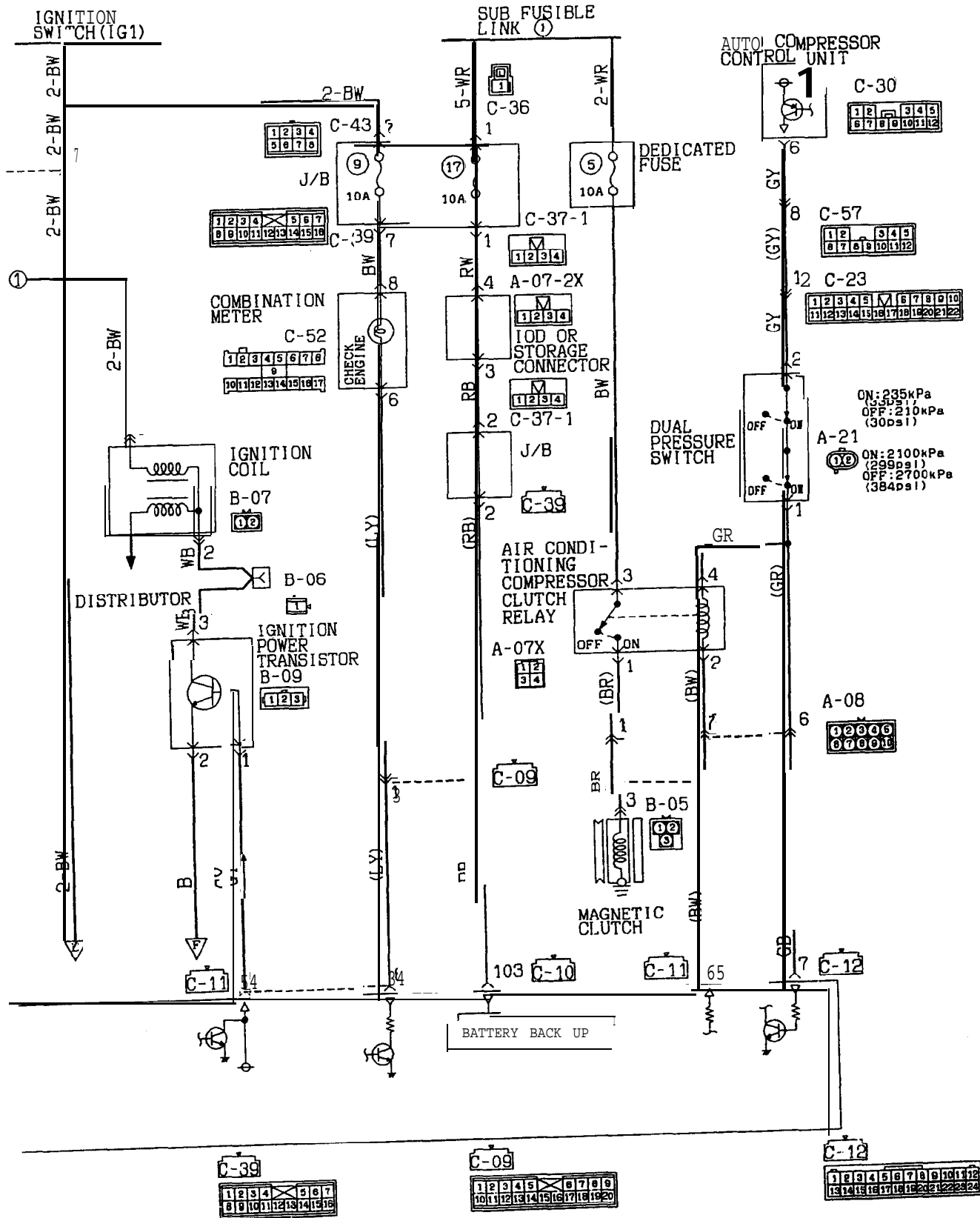
<SOHC (1990 models)>



MFI CIRCUIT

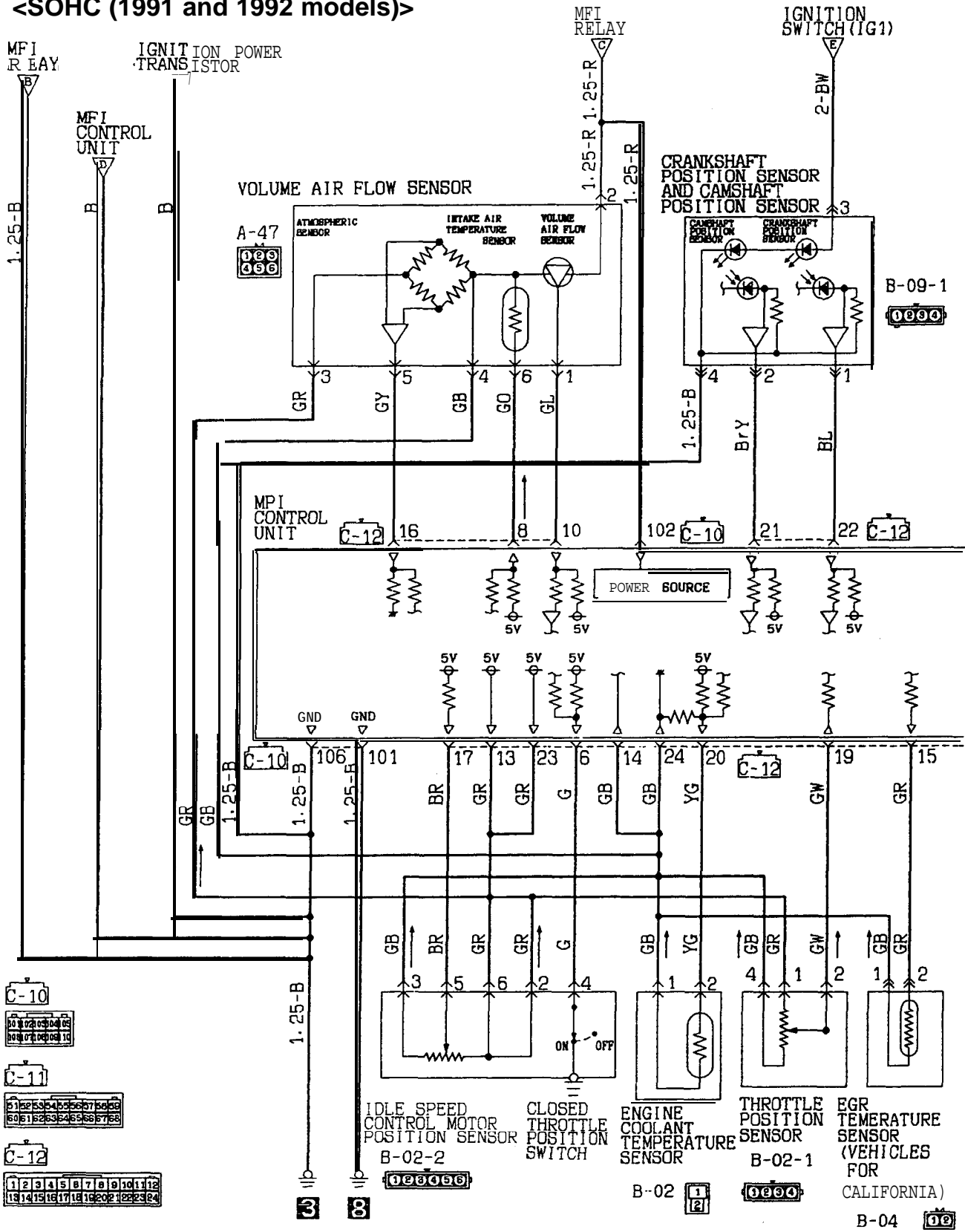
<SOHC (1991 and 1992 models)>

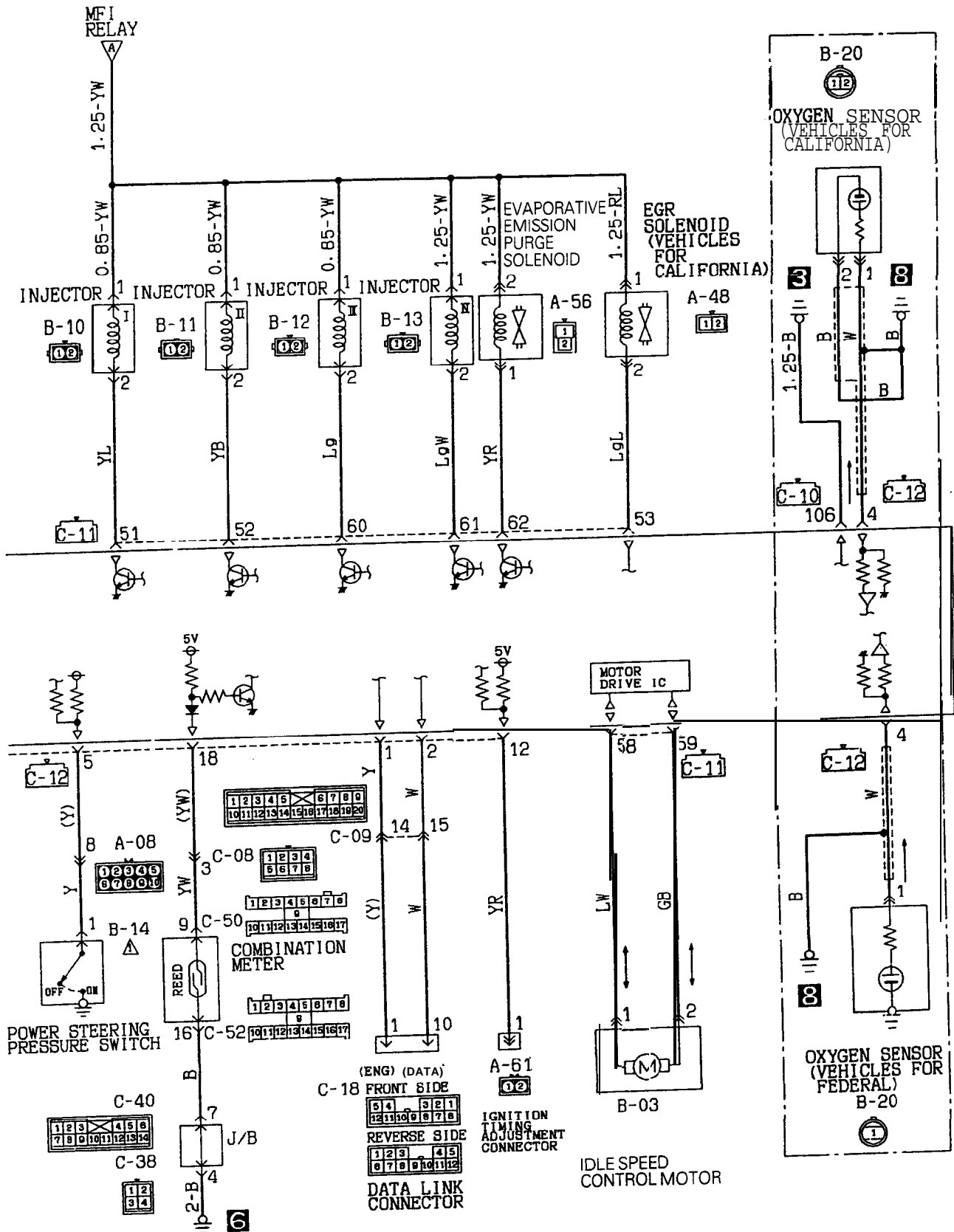




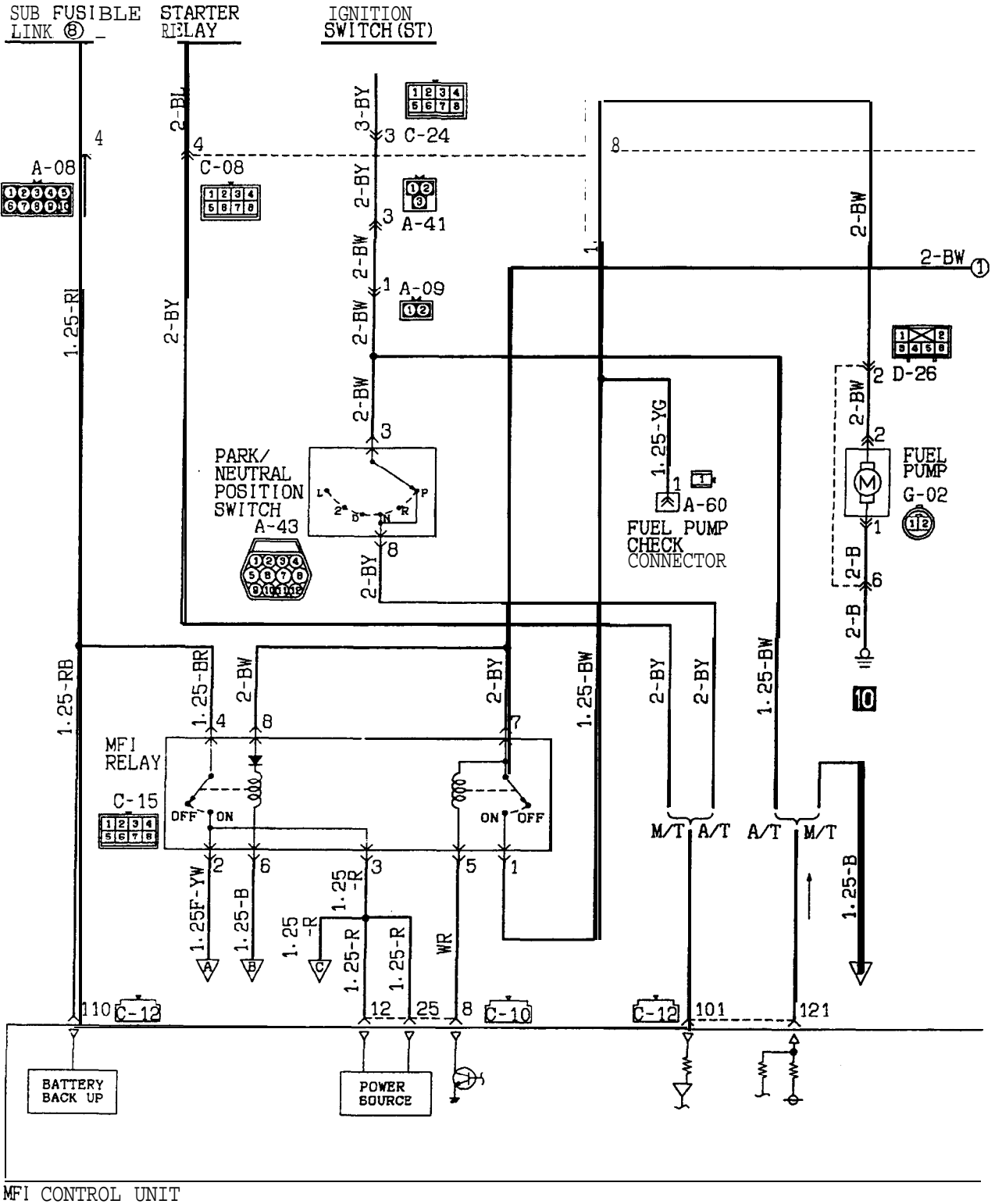
MFI CIRCUIT (CONTINUED)

<SOHC (1991 and 1992 models)>

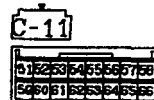




MFI CIRCUIT <SOHC (From 1993 models)>

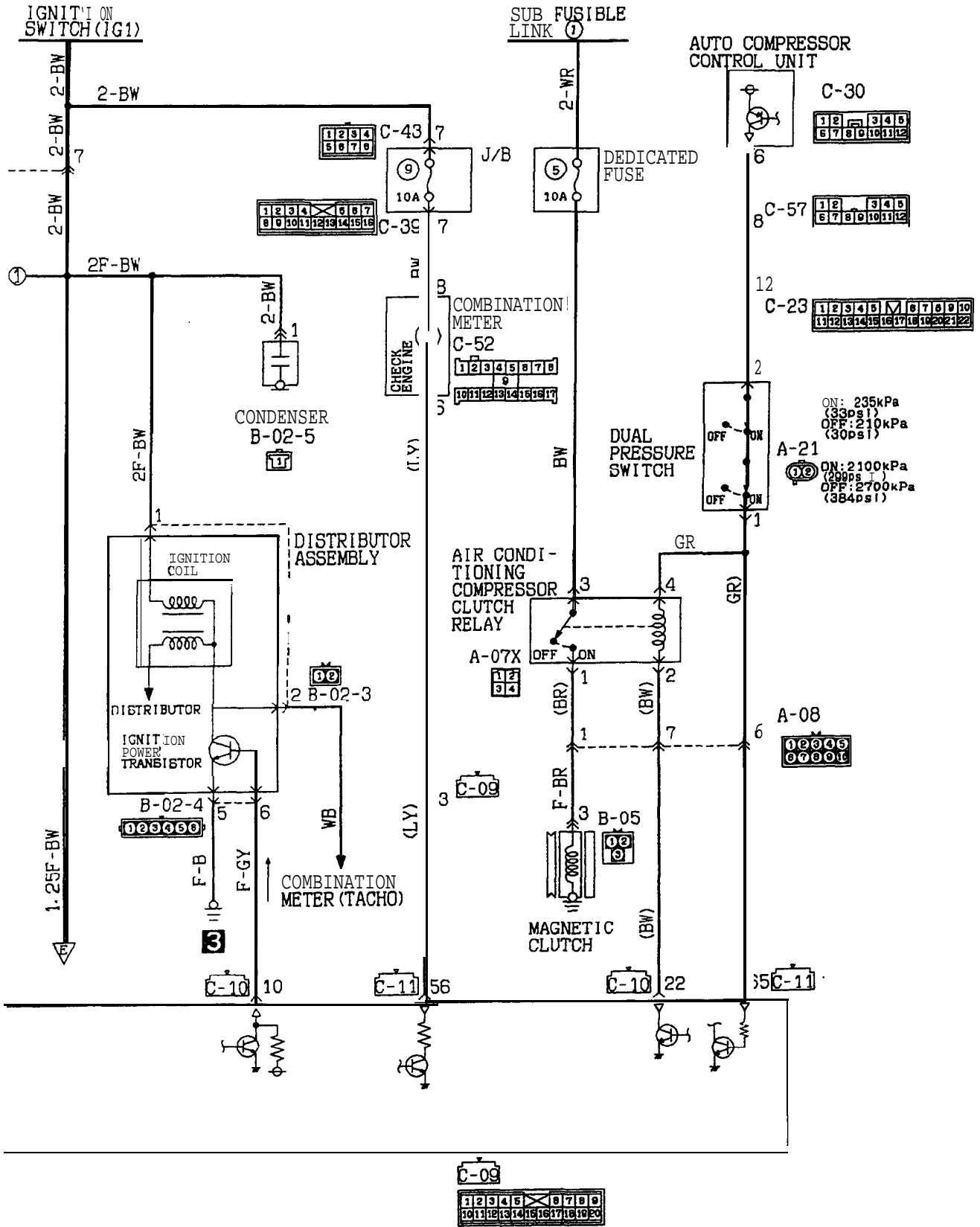


MFI CONTROL UNIT



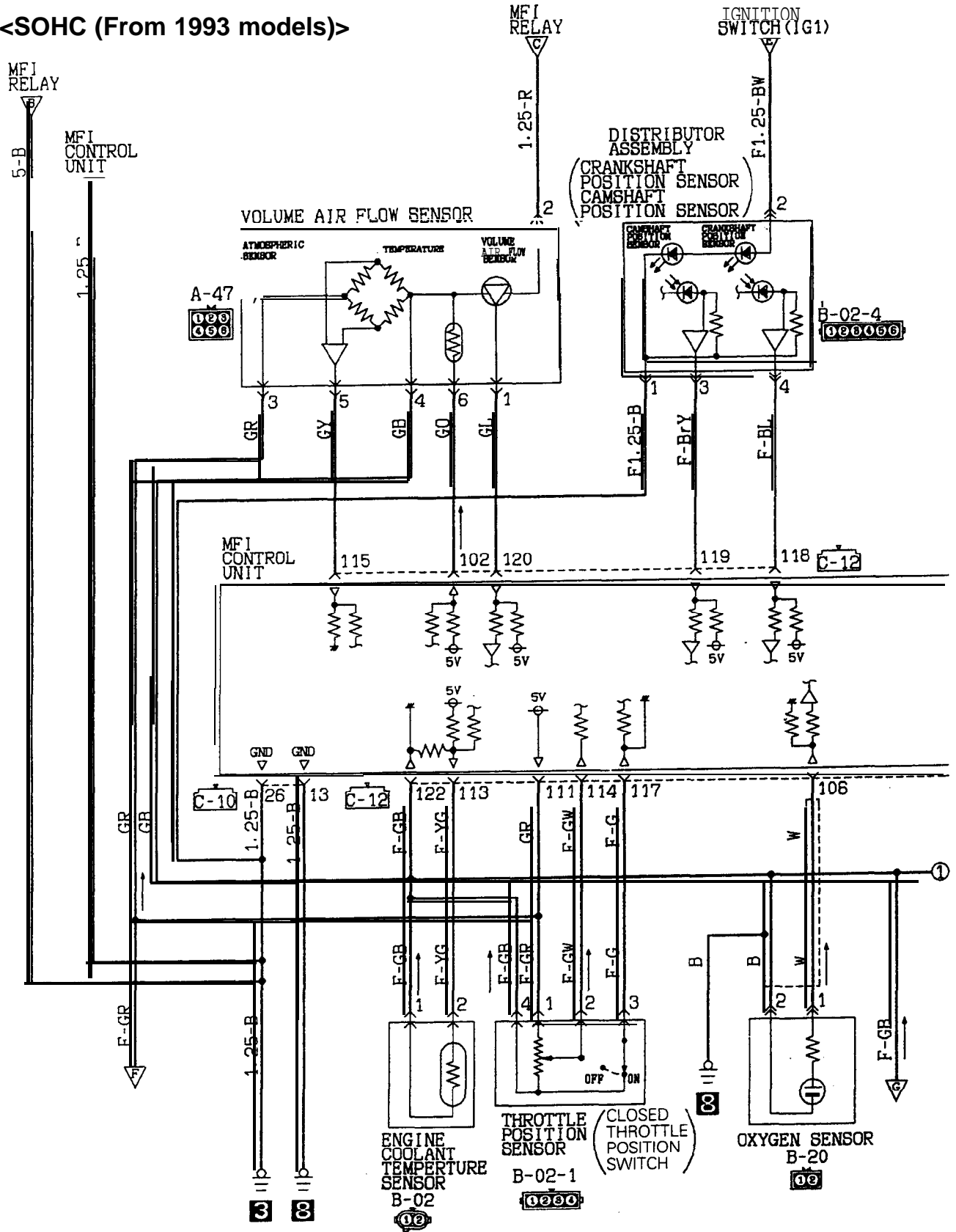
KX35-AC-H0538-NM

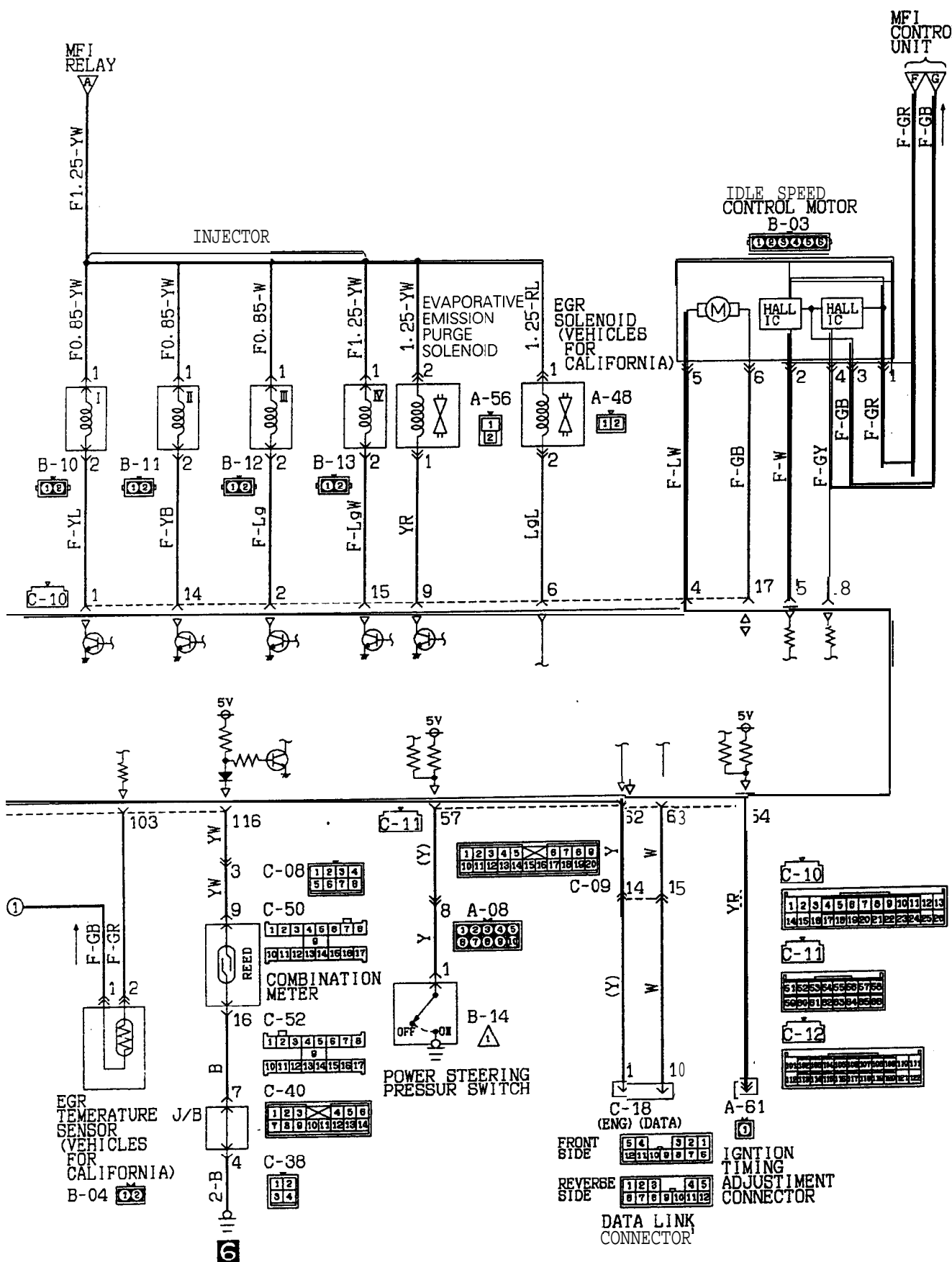
TSB Revision



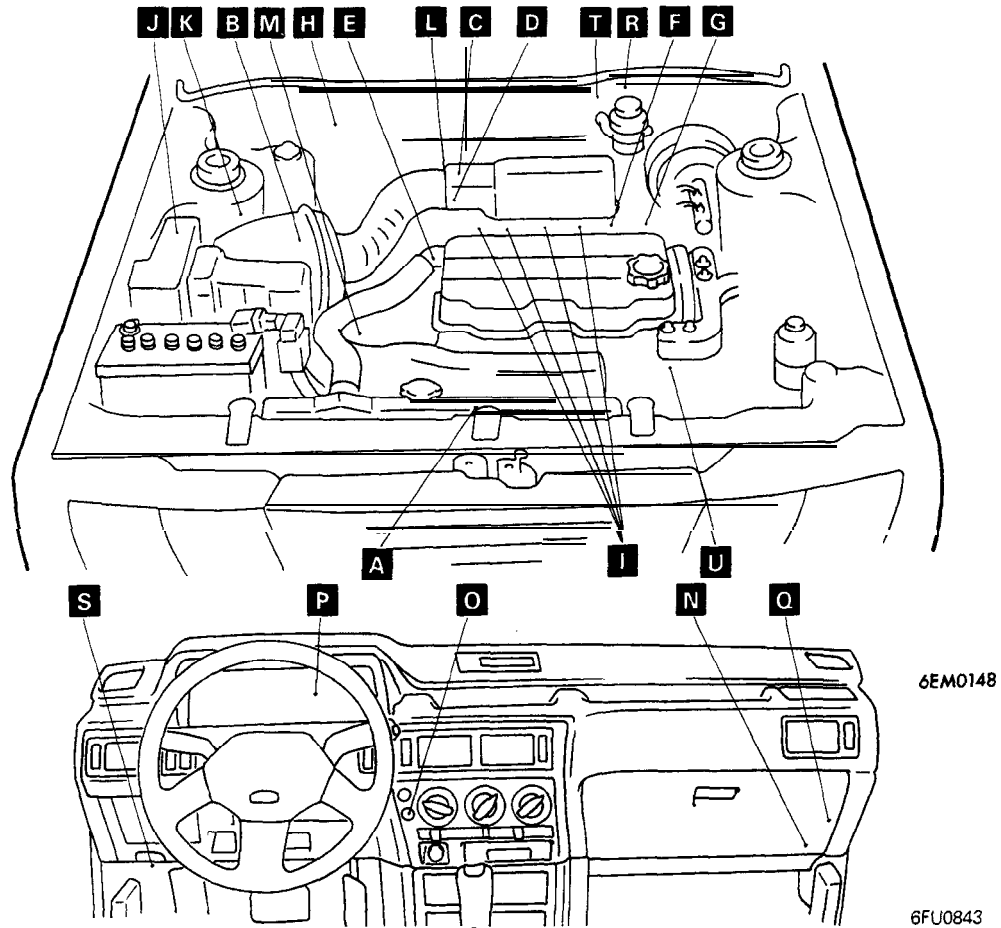
MFI CIRCUIT (CONTINUED)

<SOHC (From 1993 models)>



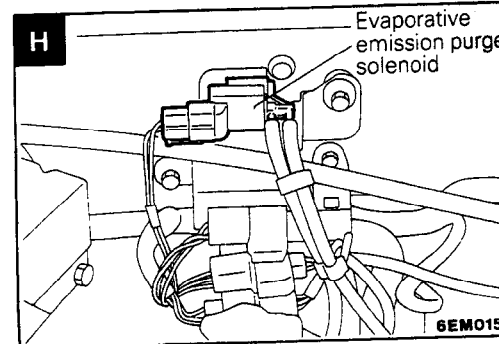
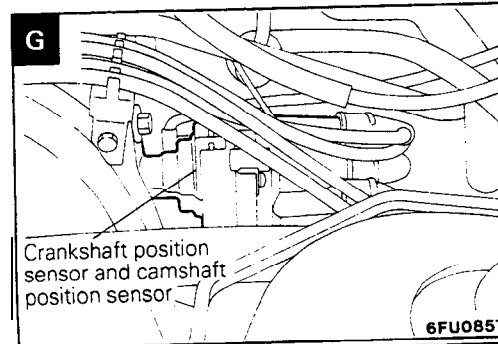
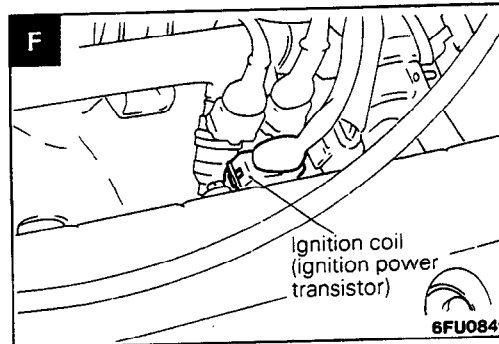
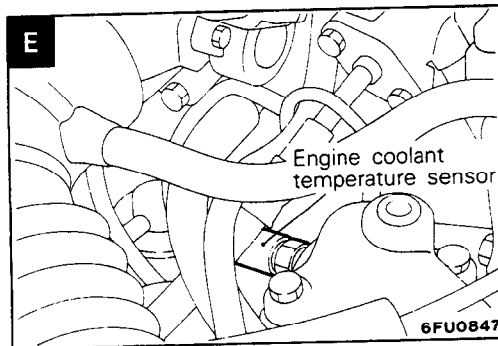
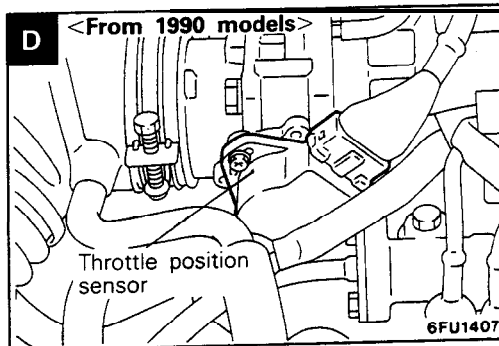
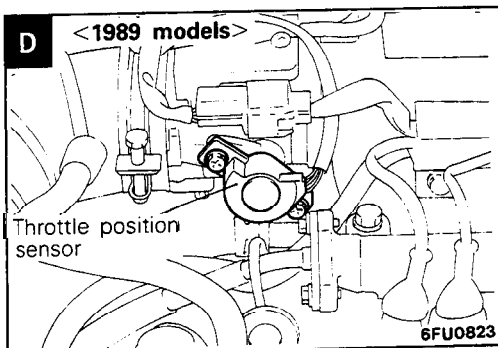
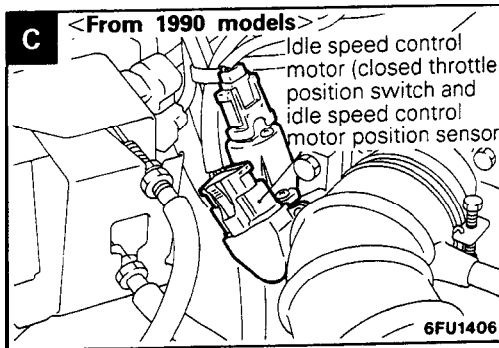
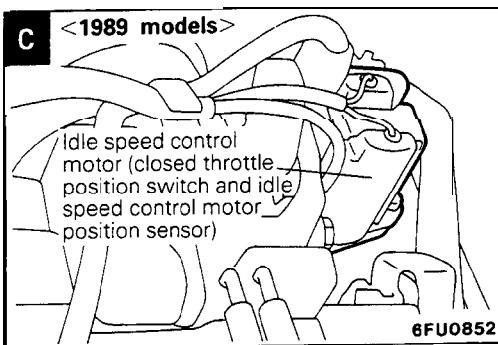
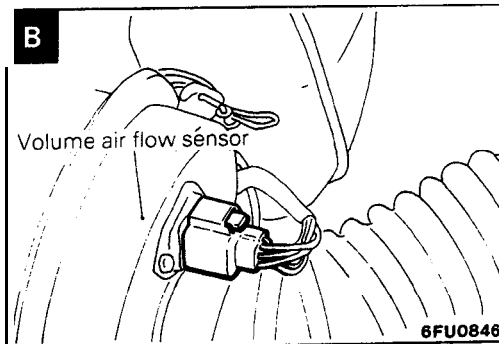
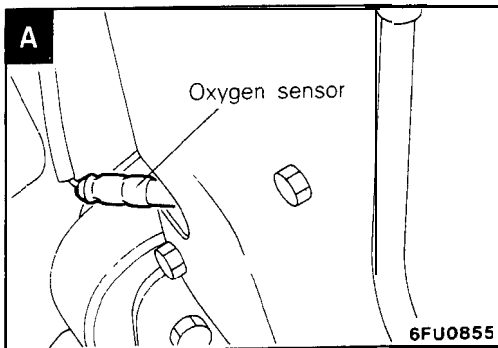


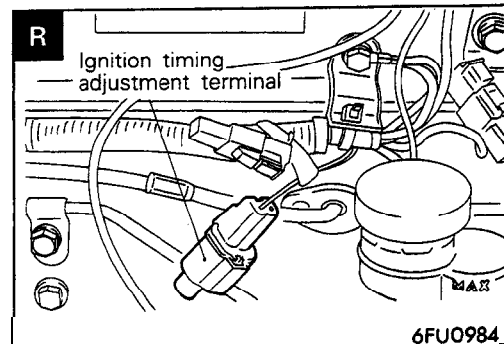
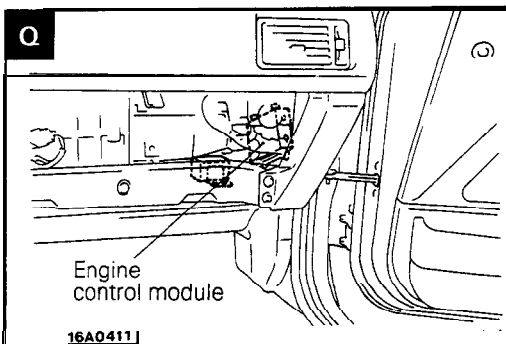
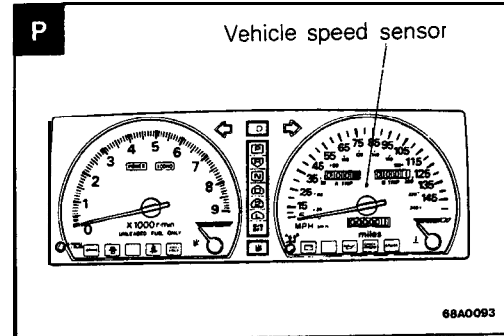
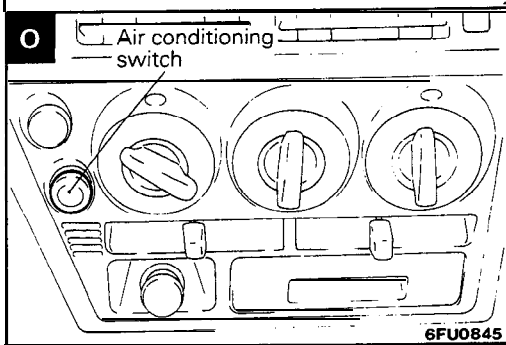
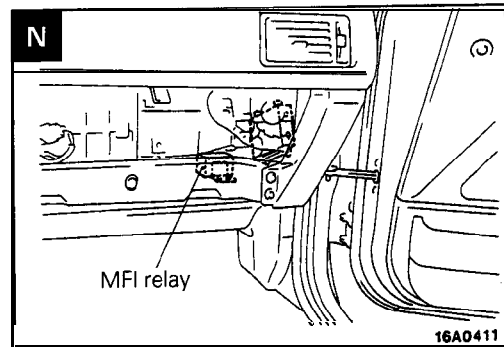
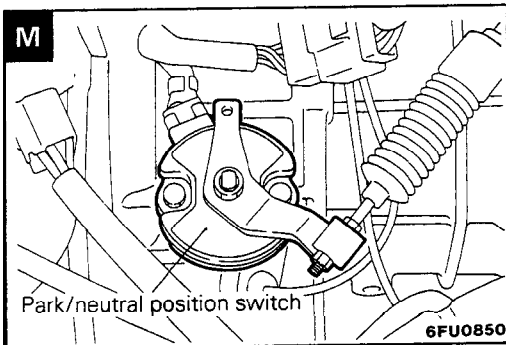
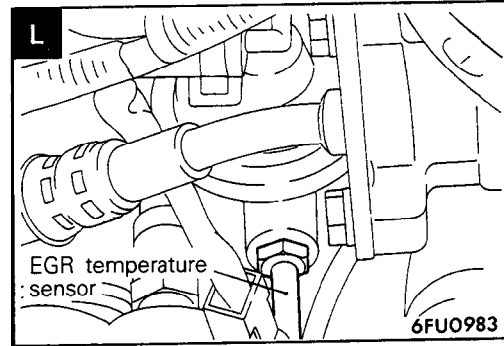
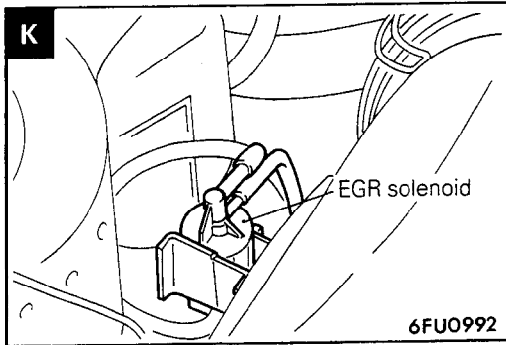
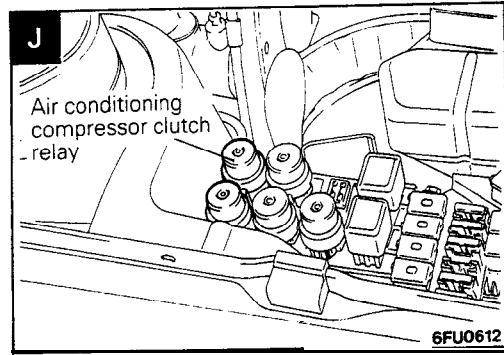
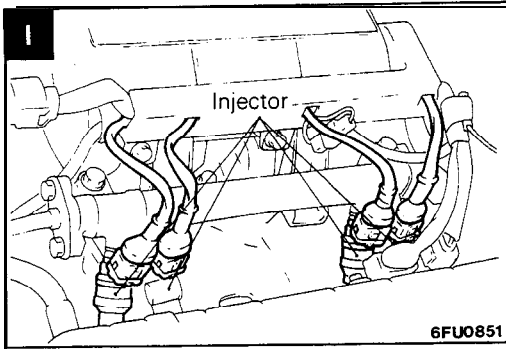
COMPONENT LOCATION
<8 VALVE>

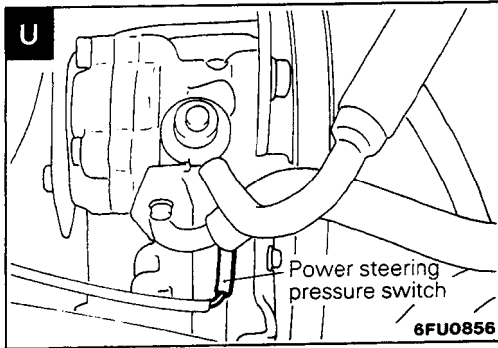
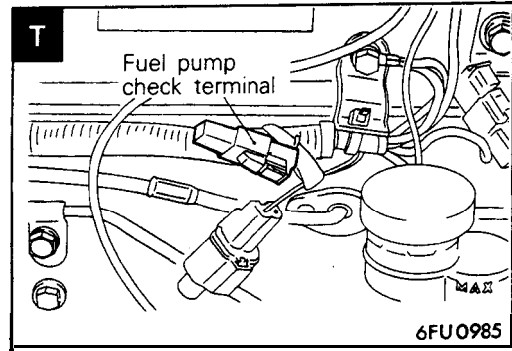
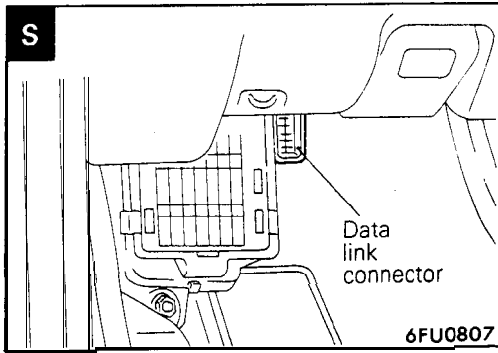


Name	Symbol	Name	Symbol
Air conditioning compressor clutch relay	J	Ignition coil (ignition power transistor)	F
Air conditioning switch	O	ignition timing adjustment terminal	R
Crankshaft position sensor and camshaft position sensor	G	Injector	I
Data link connector	S	Multipoint fuel injection relay	N
EGR solenoid <California>	K	Oxygen sensor	A
EGR temperature sensor <California>	L	Park/neutral position switch <A/T>	M
Engine control module	Q	Power steering pressure switch	U
Engine coolant temperature sensor	E	Throttle position sensor	D
Evaporative emission purge solenoid	H	Vehicle speed sensor (reed switch)	P
Fuel pump check terminal	T	Volume air flow sensor (incorporating intake air temperature sensor and barometric pressure sensor)	B
Idle speed control motor (closed throttle position switch, idle speed control motor position sensor)	C		

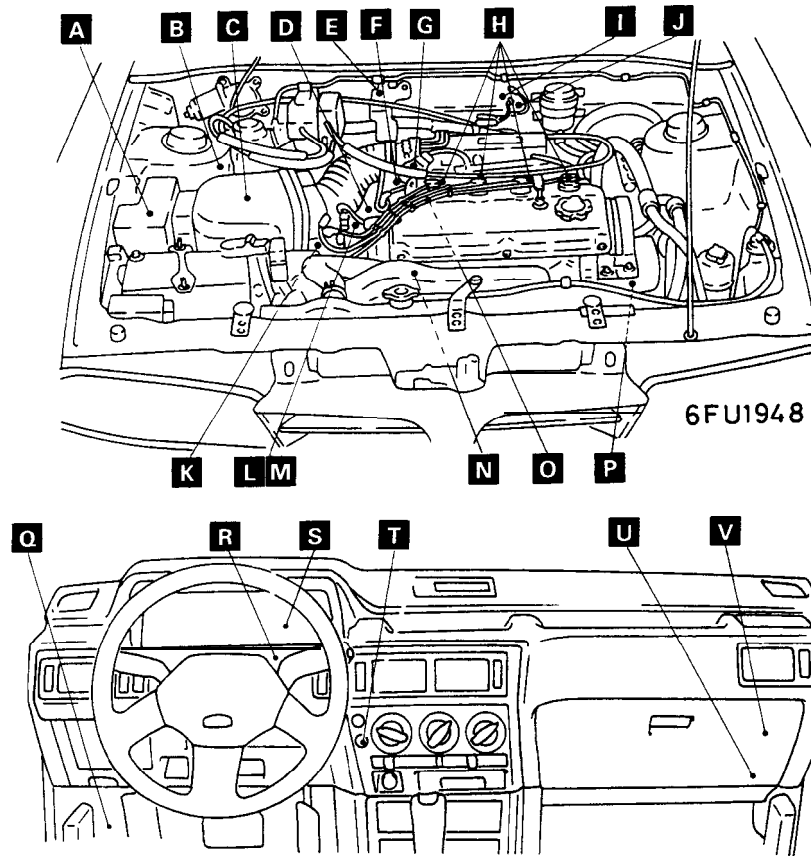
NOTE
The "Name" column is arranged in alphabetical order.







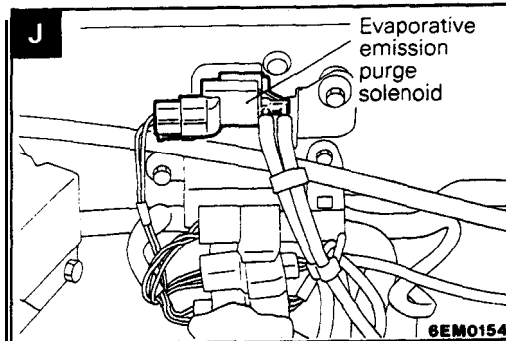
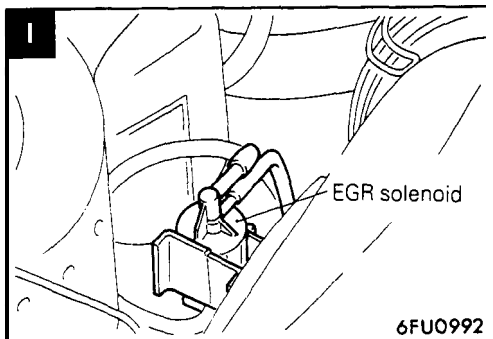
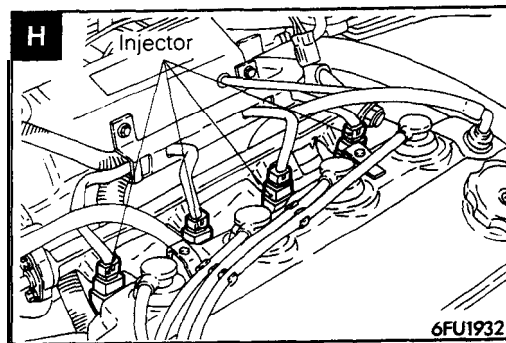
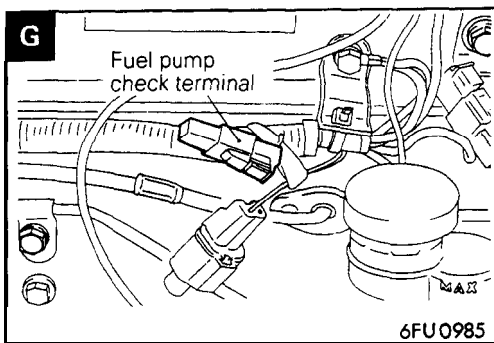
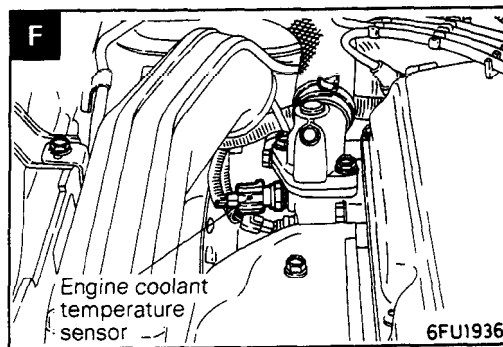
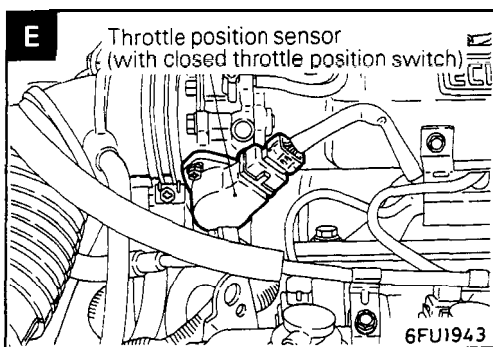
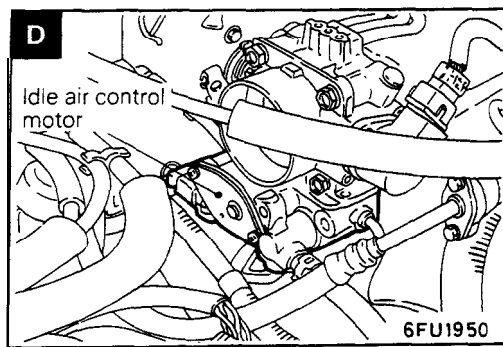
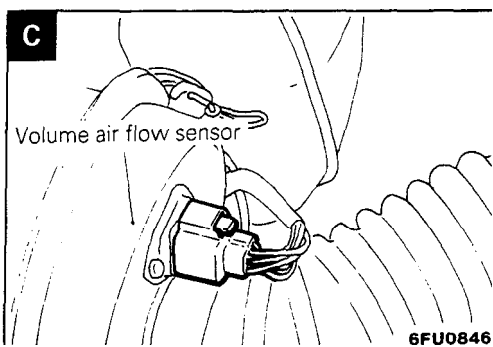
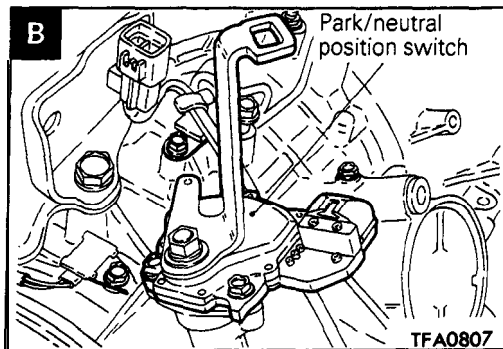
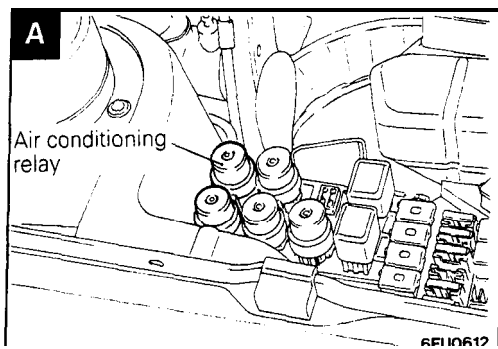
COMPONENT LOCATION
<16 VALVE>

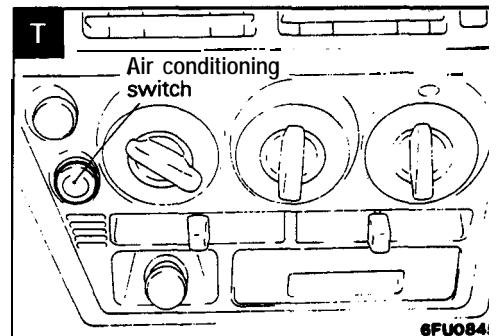
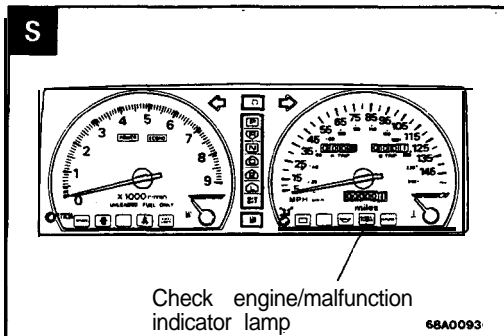
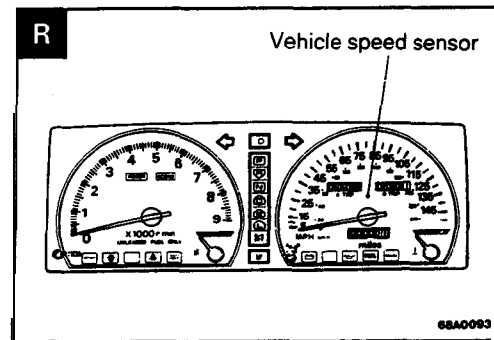
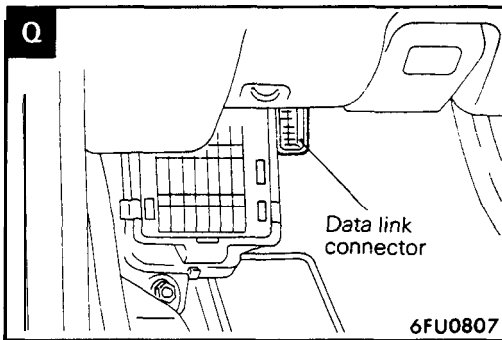
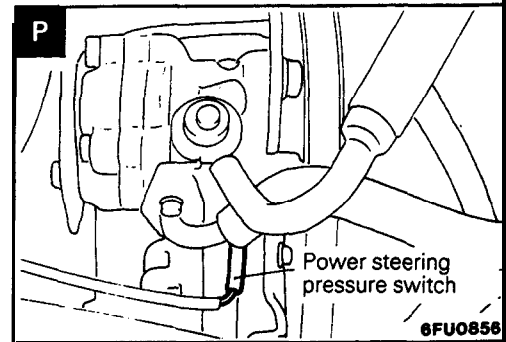
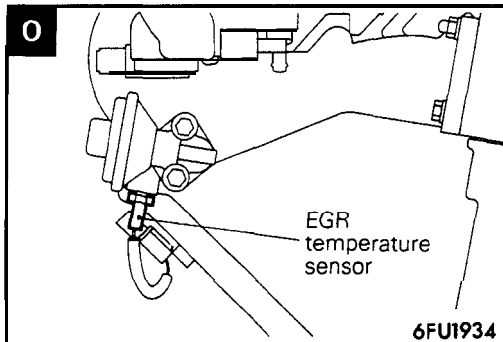
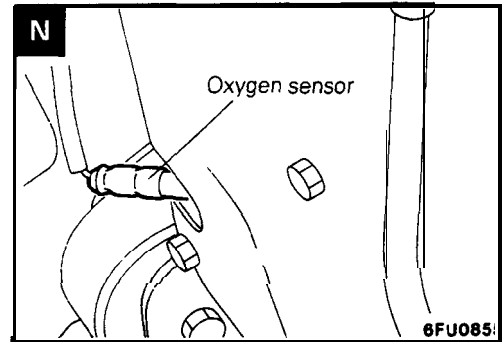
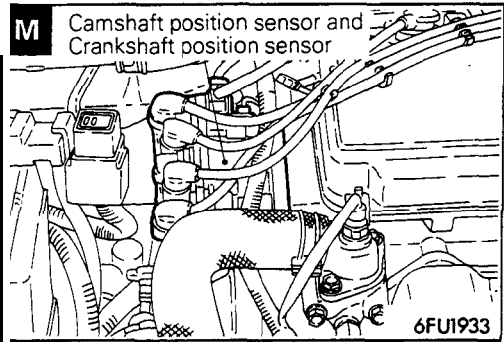
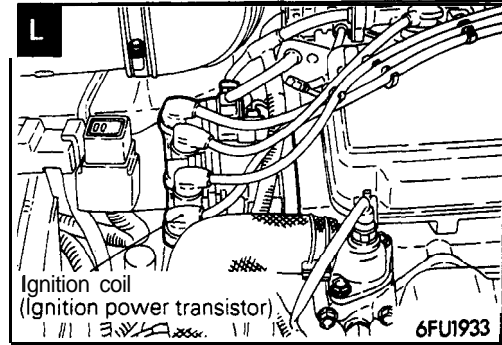
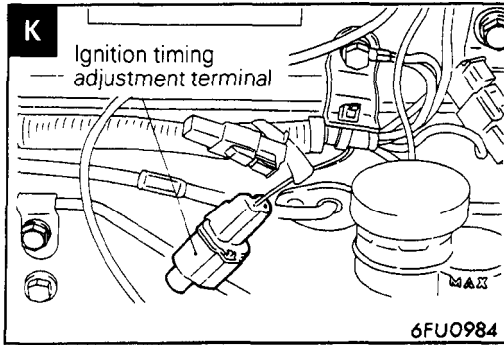


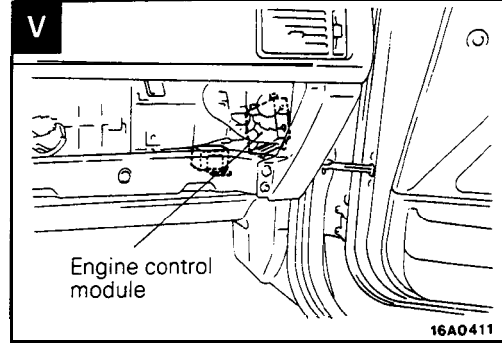
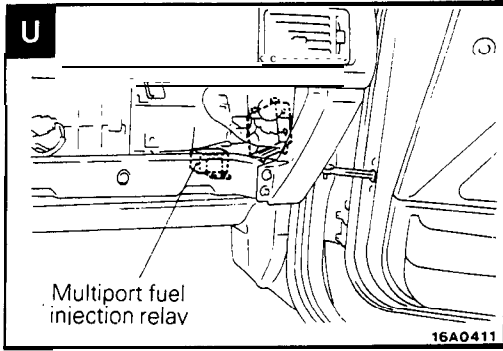
Name	Symbol	Name	Symbol
Air conditioning compressor clutch relay	A	Ignition coil (ignition power transistor)	L
Air conditioning switch	T	Ignition timing adjustment terminal	K
Camshaft position sensor and crankshaft position sensor	M	Injector	H
Check engine/malfunction indicator lamp	S	Multipoint fuel injection relay	U
Data link connector	Q	Oxygen sensor	N
EGR solenoid <California>	I	Park/Neutral position switch (A/T)	B
EGR temperature sensor <California>	O	Power steering pressure switch	P
Engine control module	V	Throttle position sensor (with closed throttle position switch)	E
Engine coolant temperature sensor	F	Vehicle speed sensor (reed switch)	R
Evaporative emission purge solenoid	J	Volume air flow sensor (with incorporated intake air temperature sensor and barometric pressure sensor)	C
Fuel pump check terminal	G		
Idle air control motor	D		

NOTE
The "Name" column is arranged in alphabetical order.

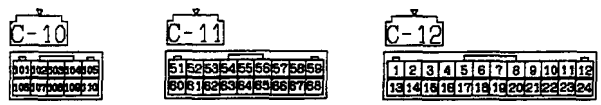
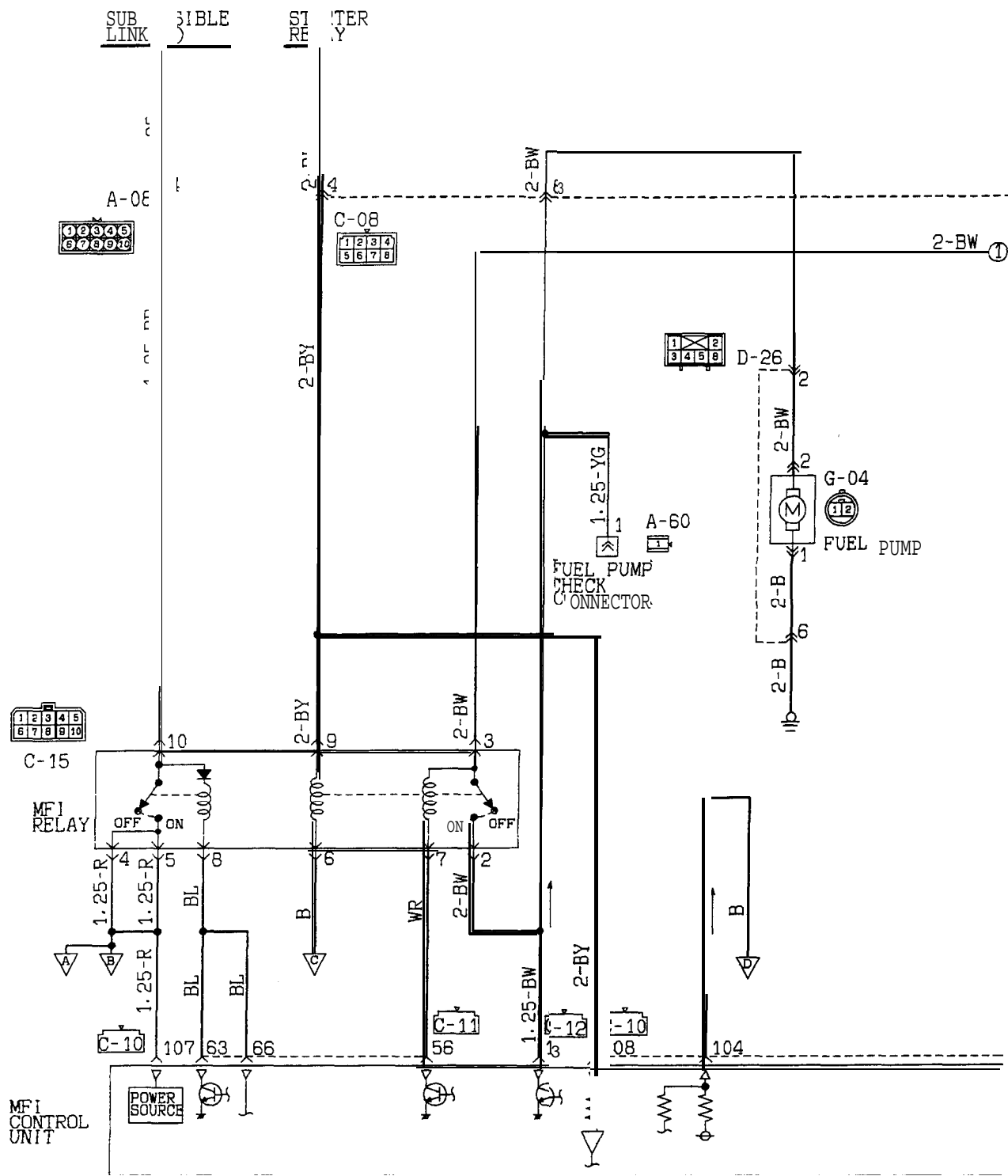
TSB Revision

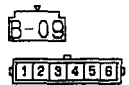
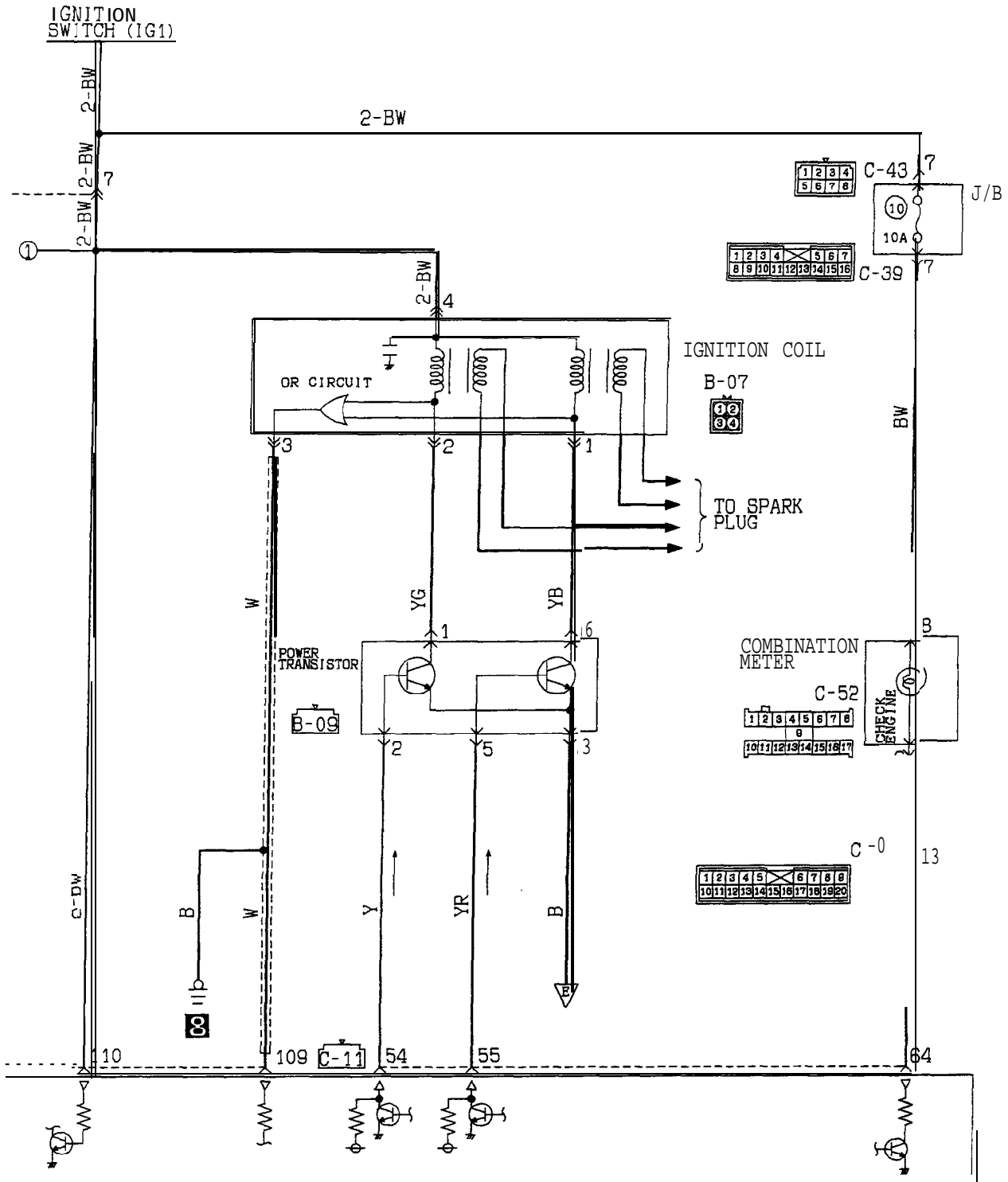






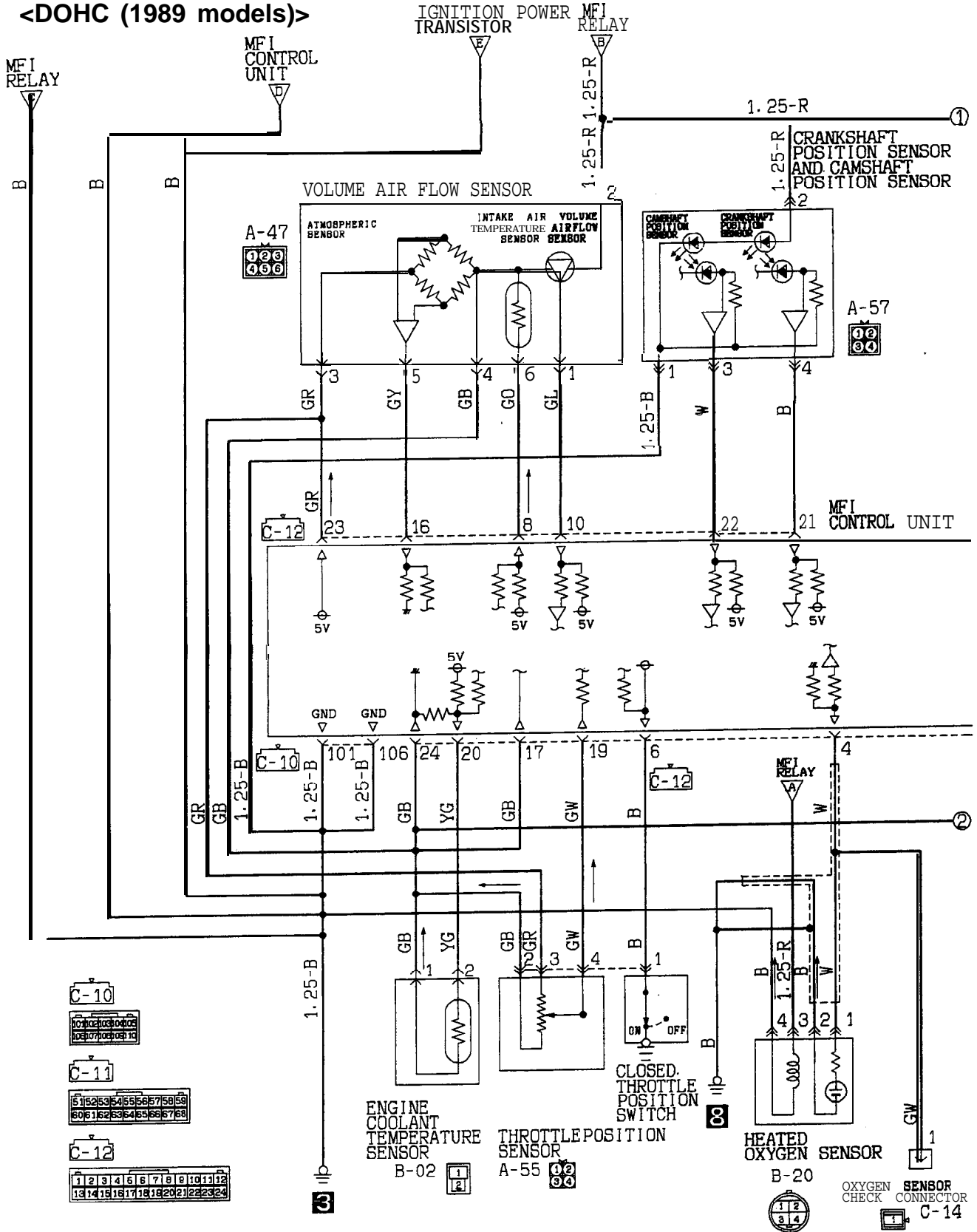
MFI CIRCUIT
<DOHC (1989 models)>

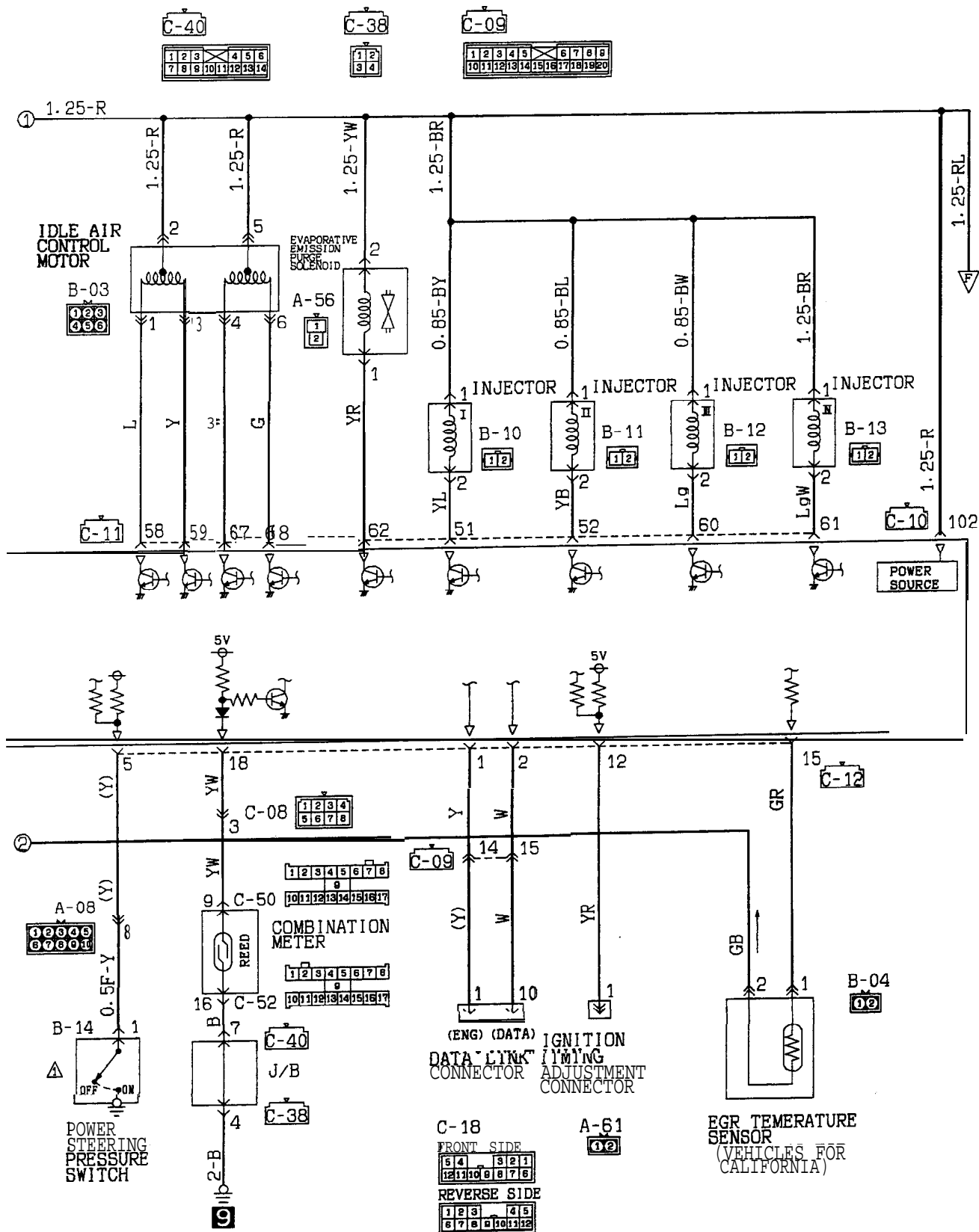




MFI CIRCUIT (CONTINUED)

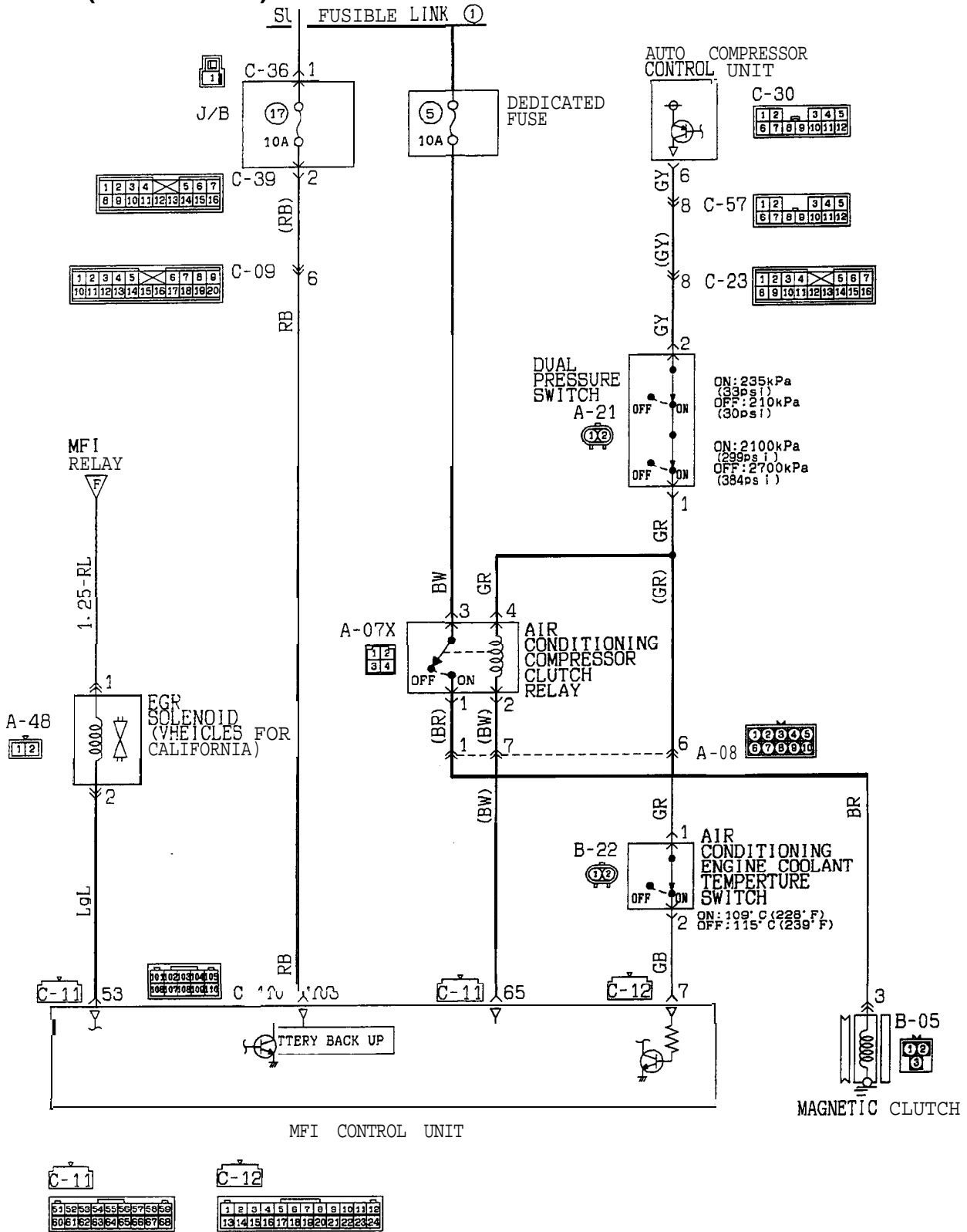
<DOHC (1989 models)>





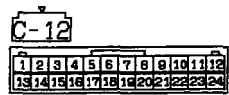
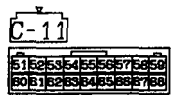
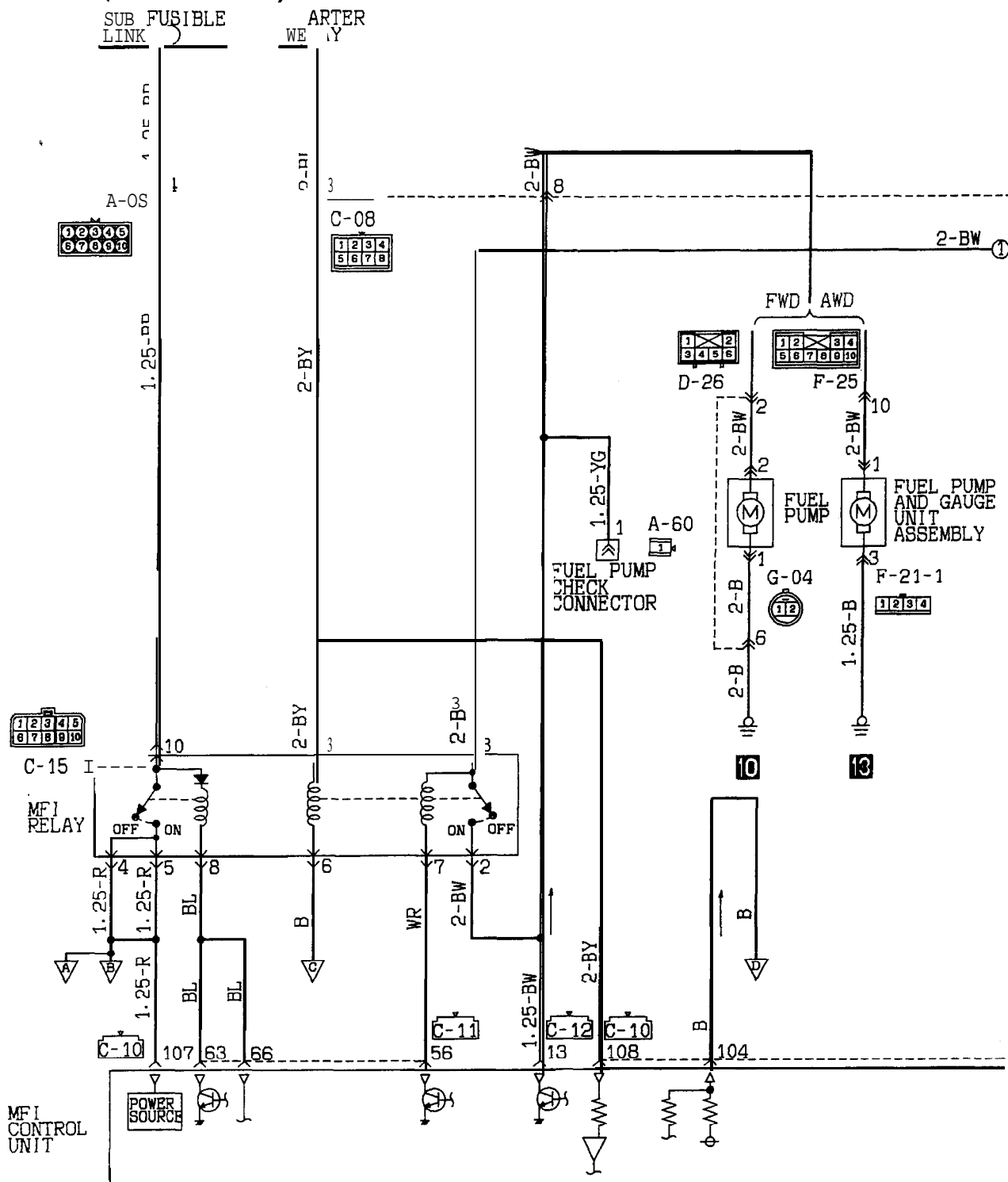
MFI CIRCUIT (CONTINUED)

<DOHC (1989 models)>



MFI CIRCUIT

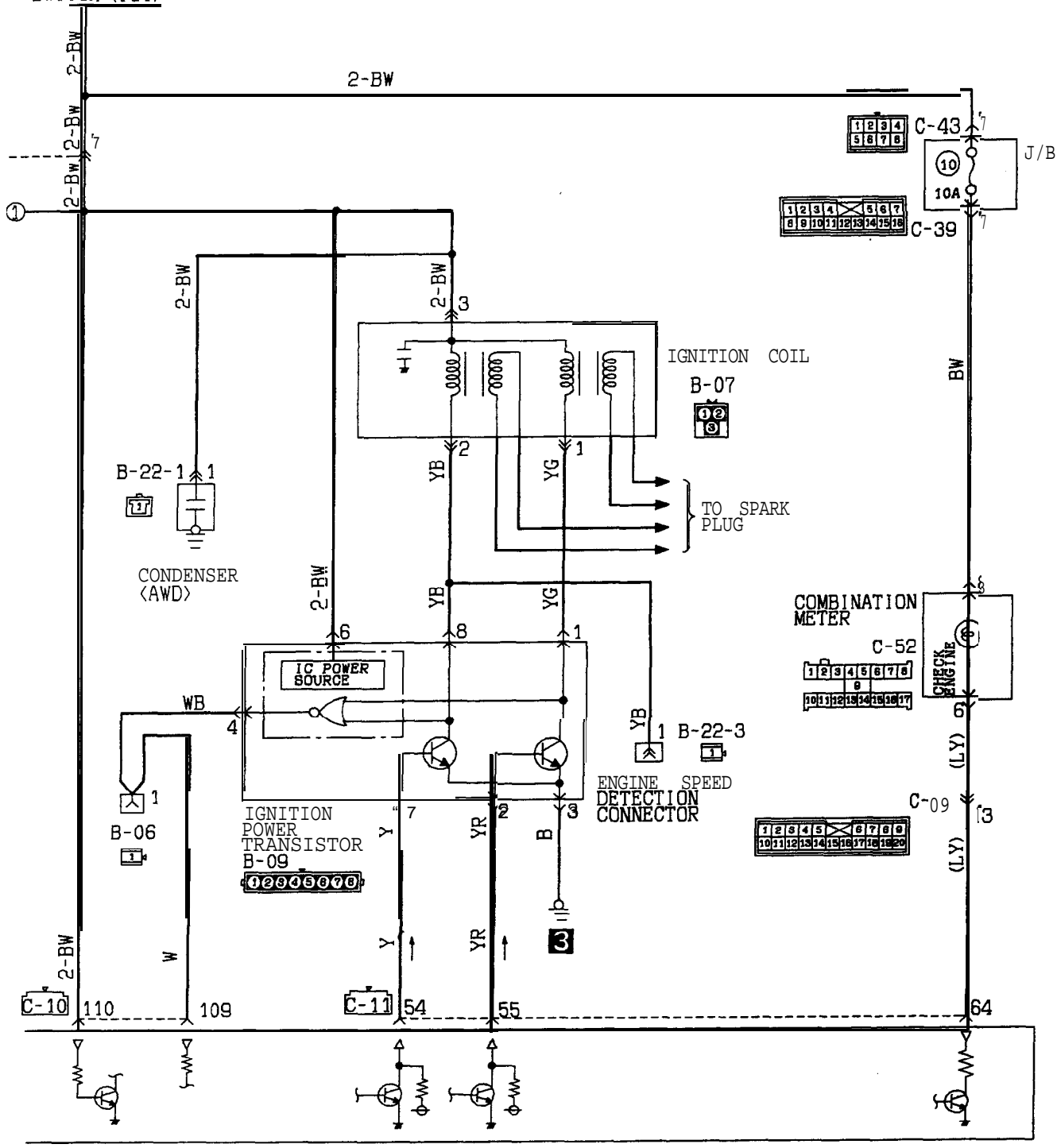
<DOHC (1990 models)>

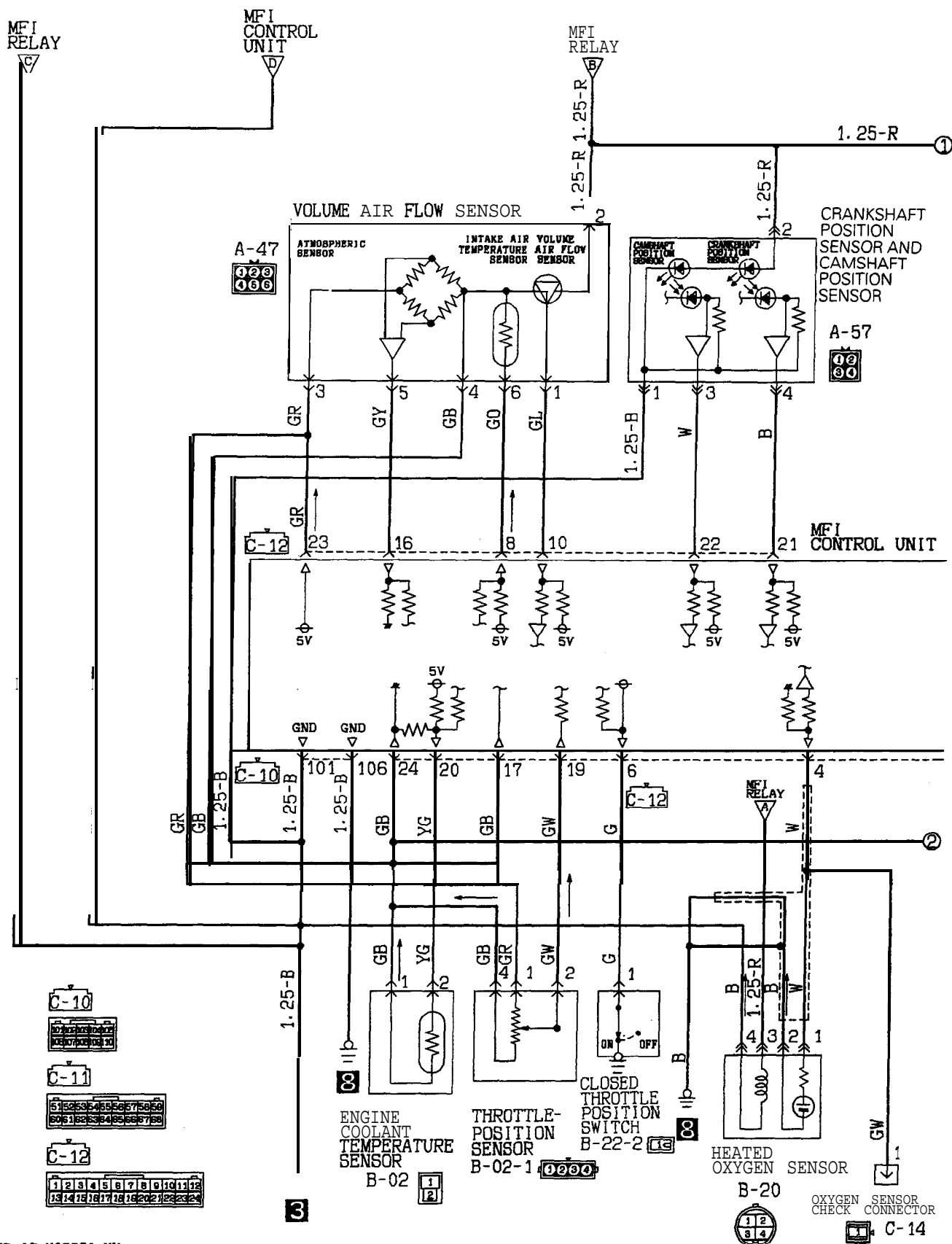


MFI CIRCUIT (CONTINUED)

<DOHC (1990 models)>

IGNITION SWITCH (IG1)



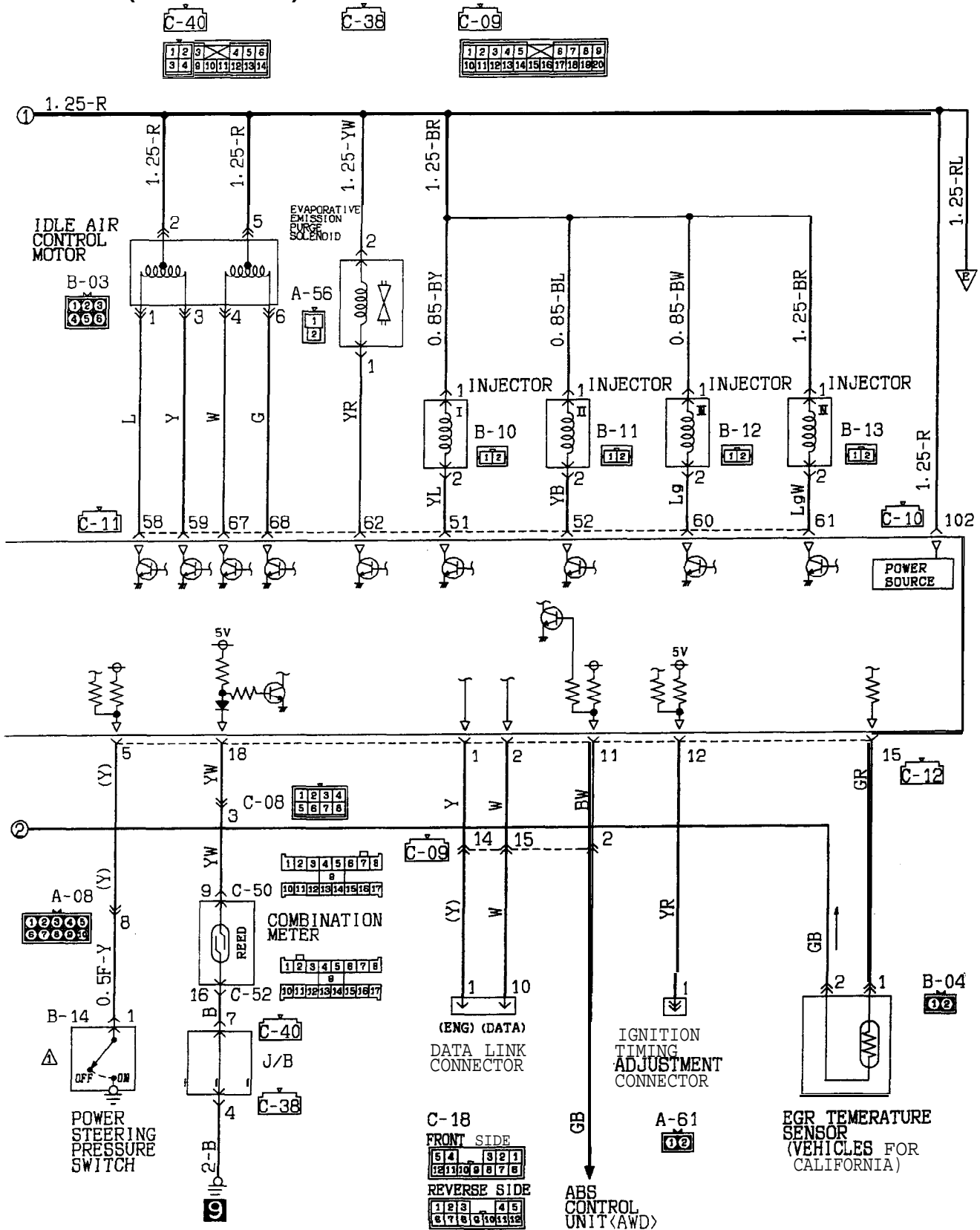


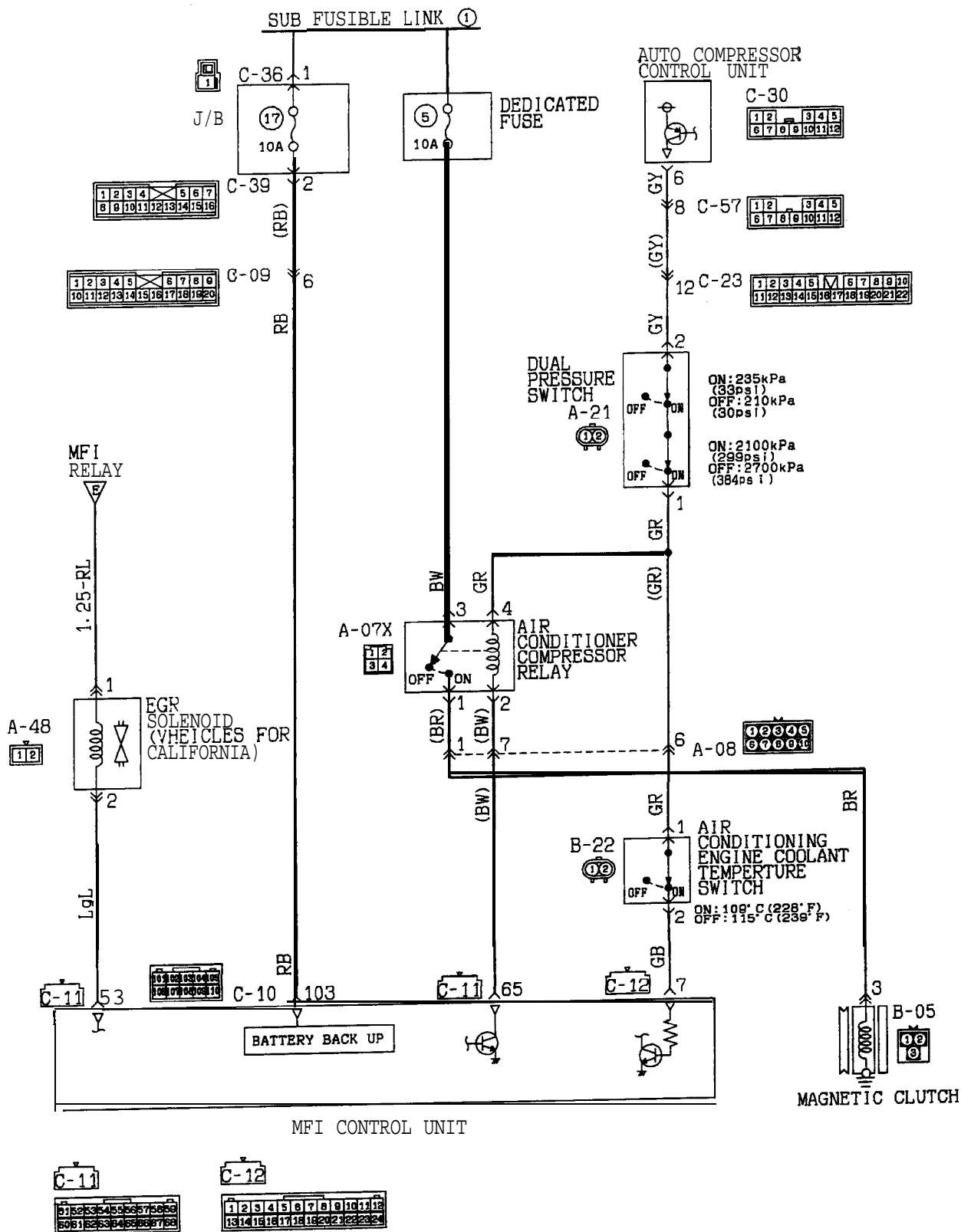
KX35-AC-H0529A-NM

TSB Revision

MFI CIRCUIT (CONTINUED)

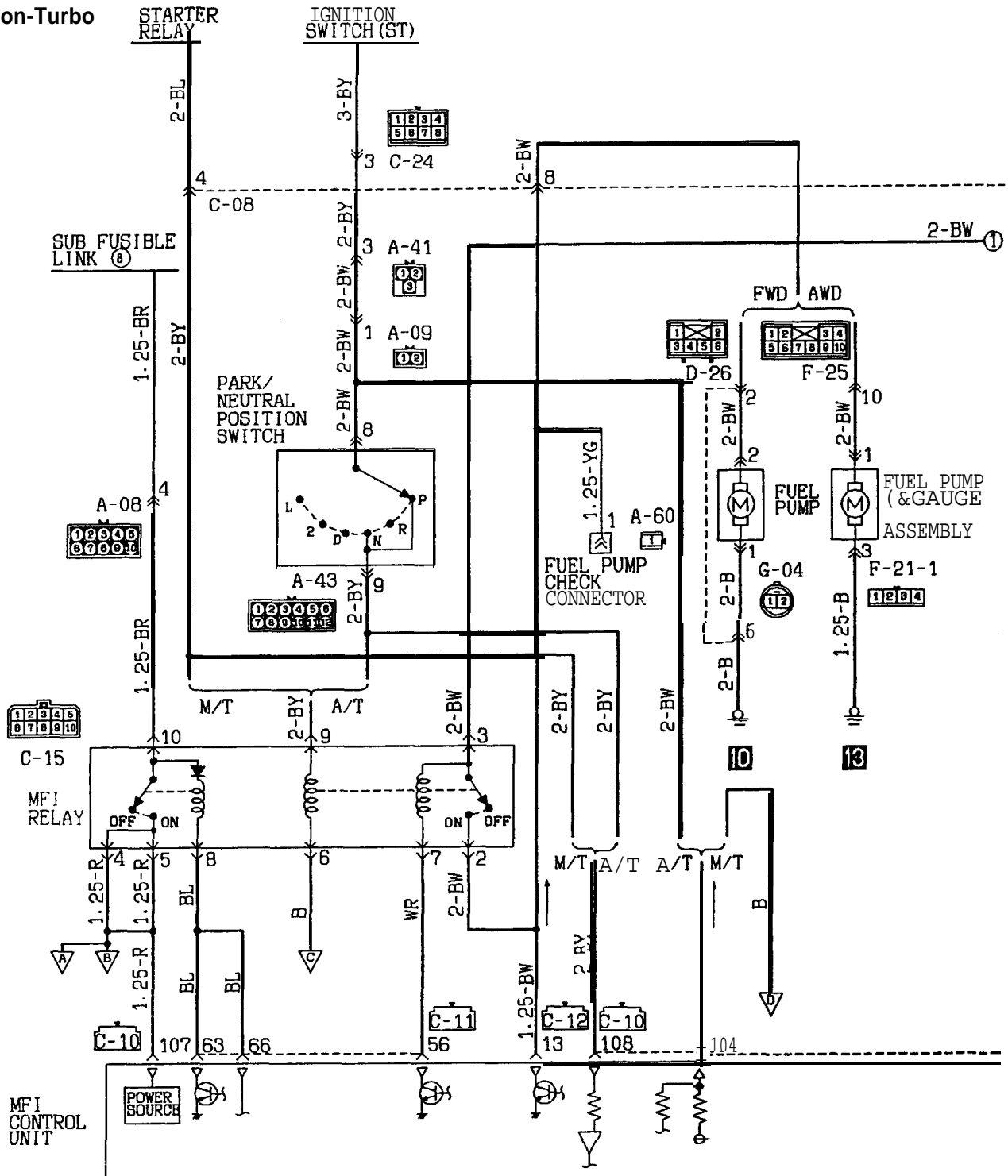
<DOHC (1990 models)>

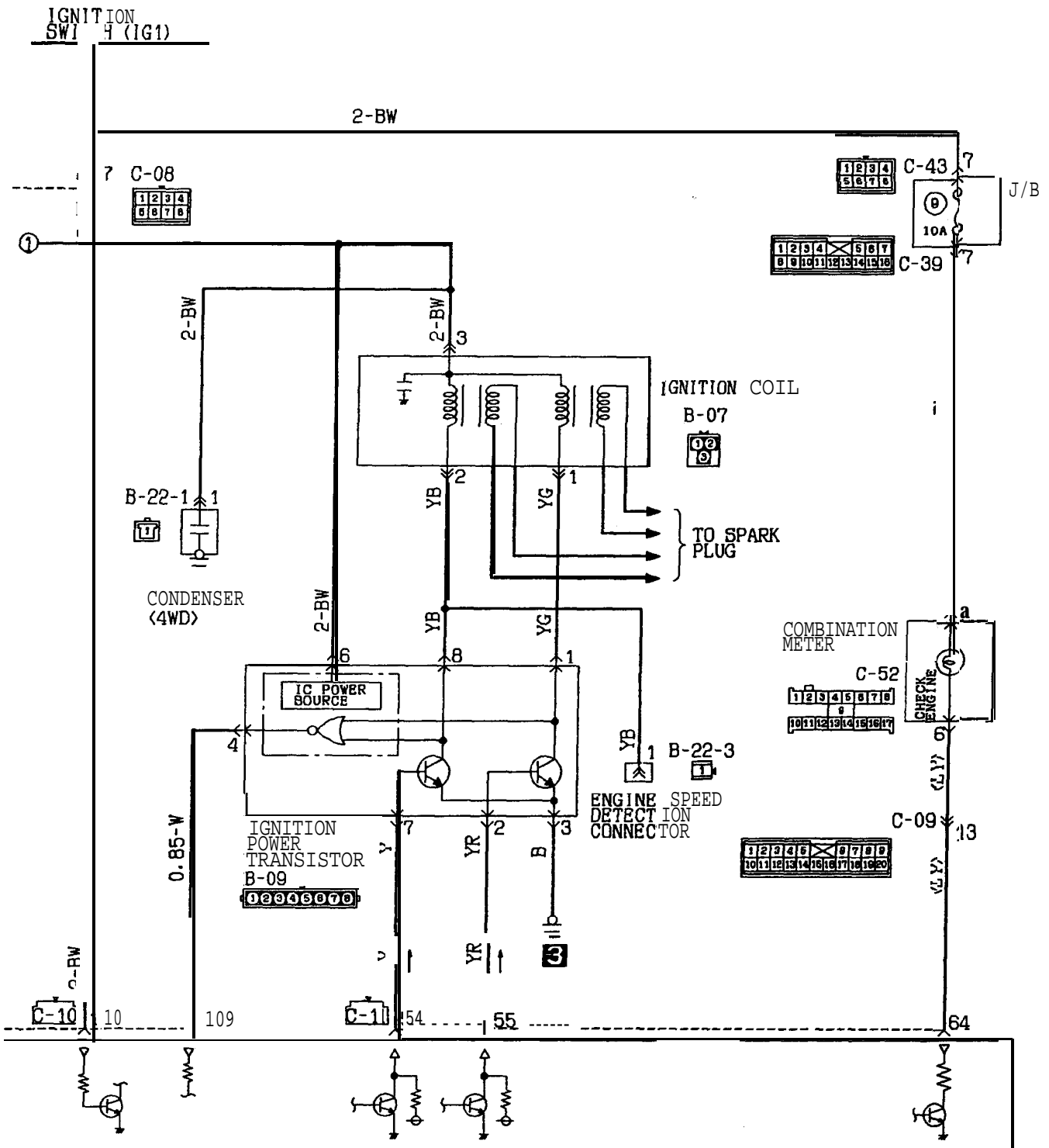




MFI CIRCUIT <DOHC (1991 models)>

Non-Turbo





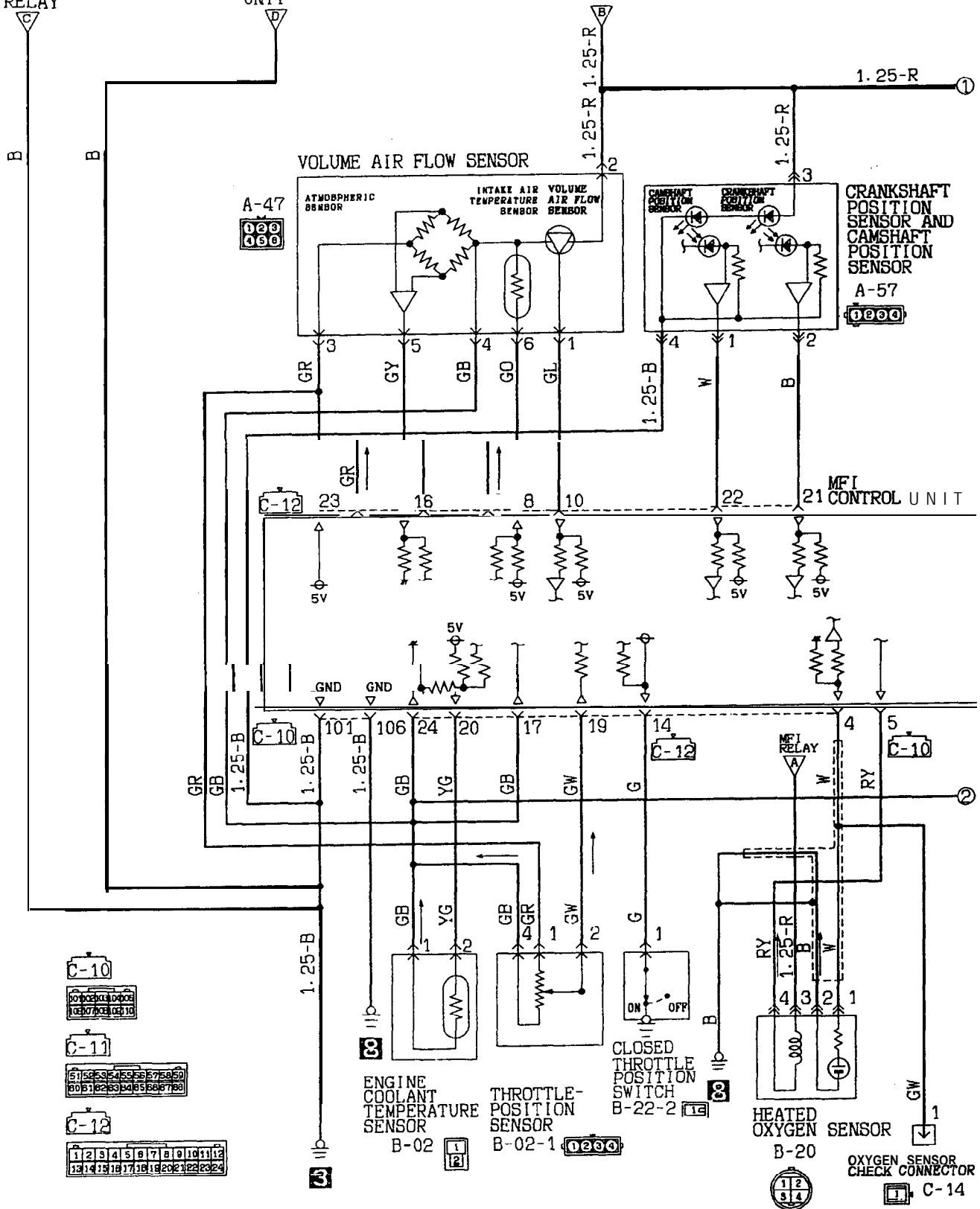
MFI CIRCUIT (CONTINUED)

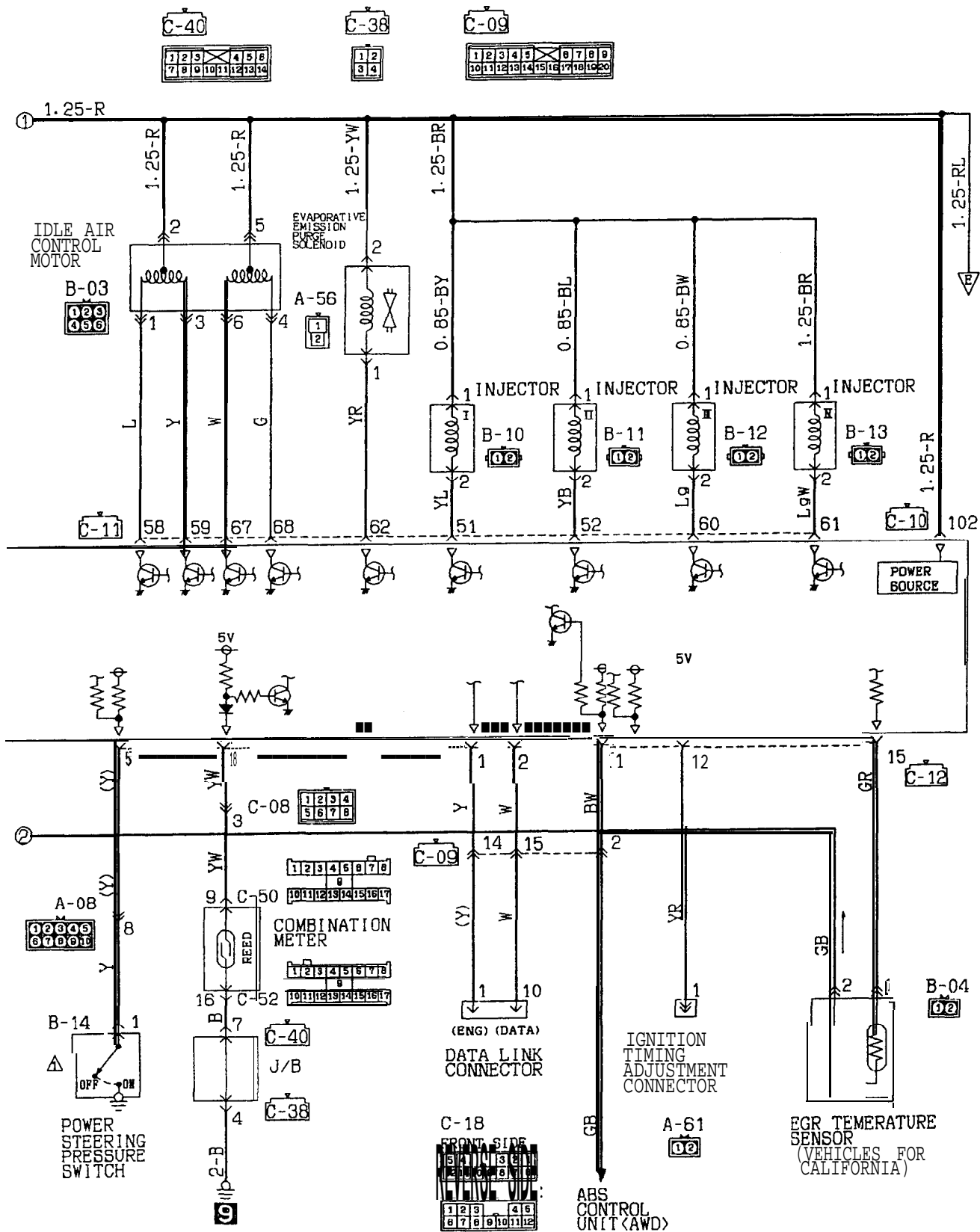
<DOHC (1991 models)>

Non-Turbo

MFI RELAY

MFI CONTROL UNIT

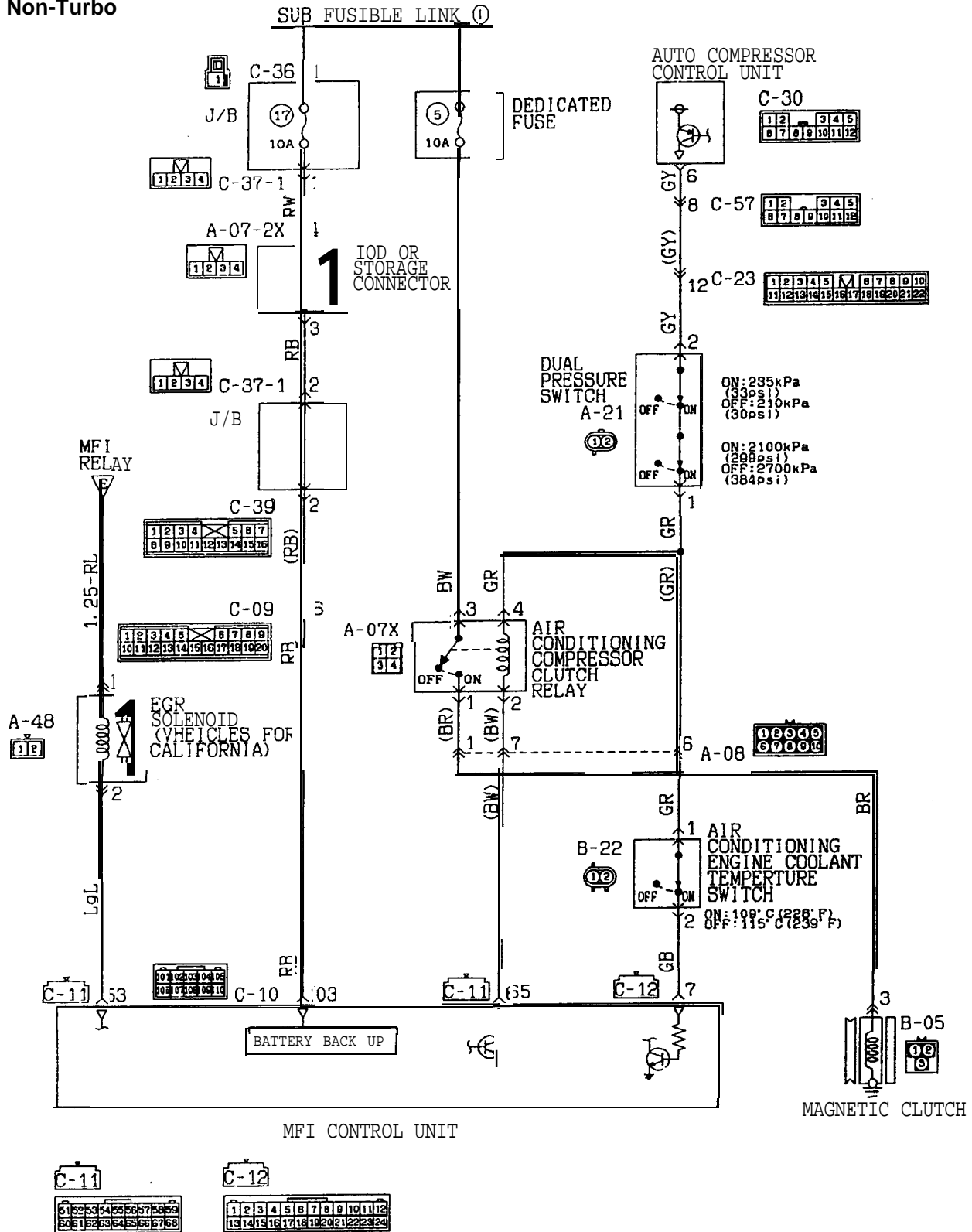




MFI CIRCUIT (CONTINUED)

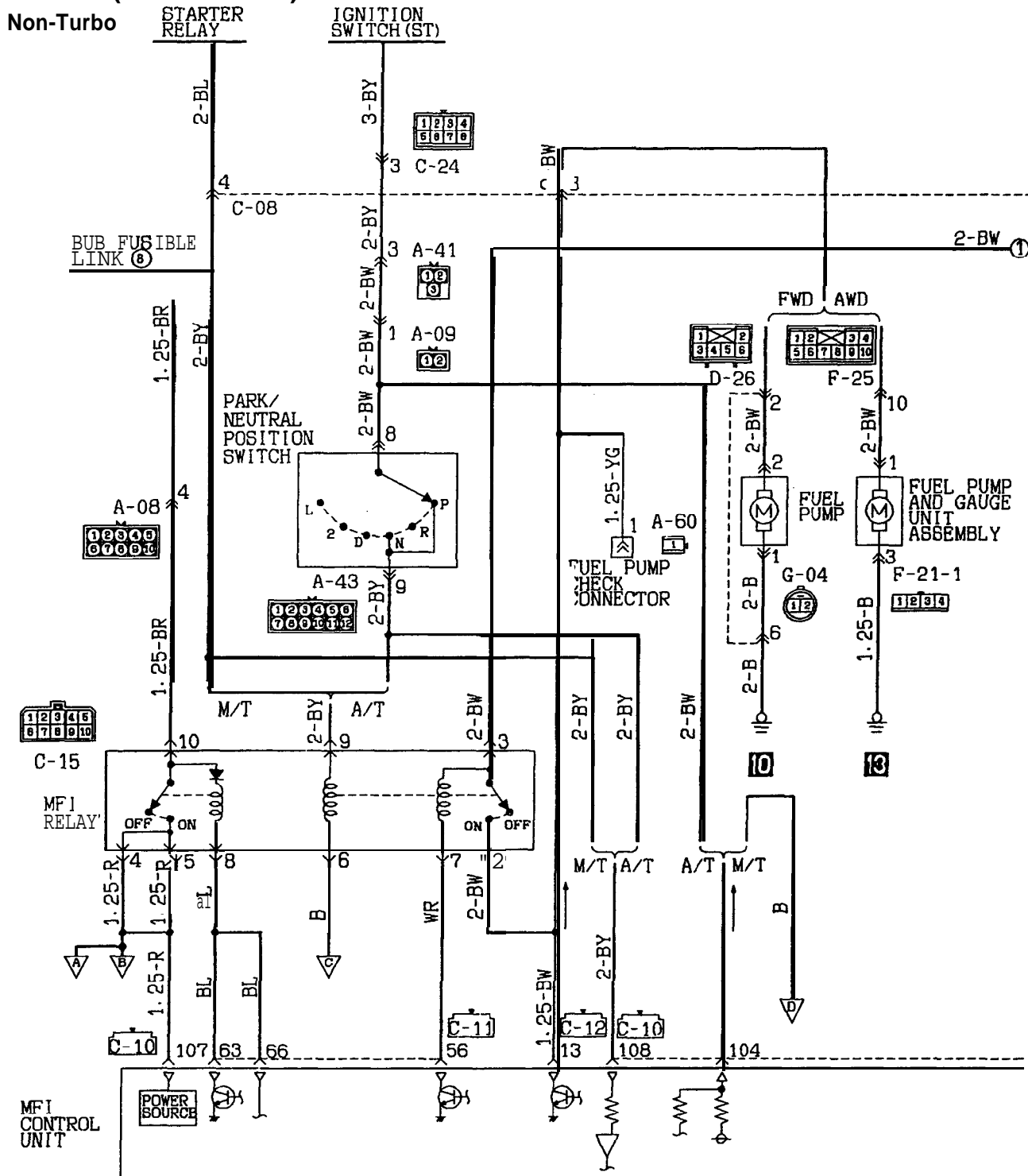
<DOHC (1991 models)>

Non-Turbo



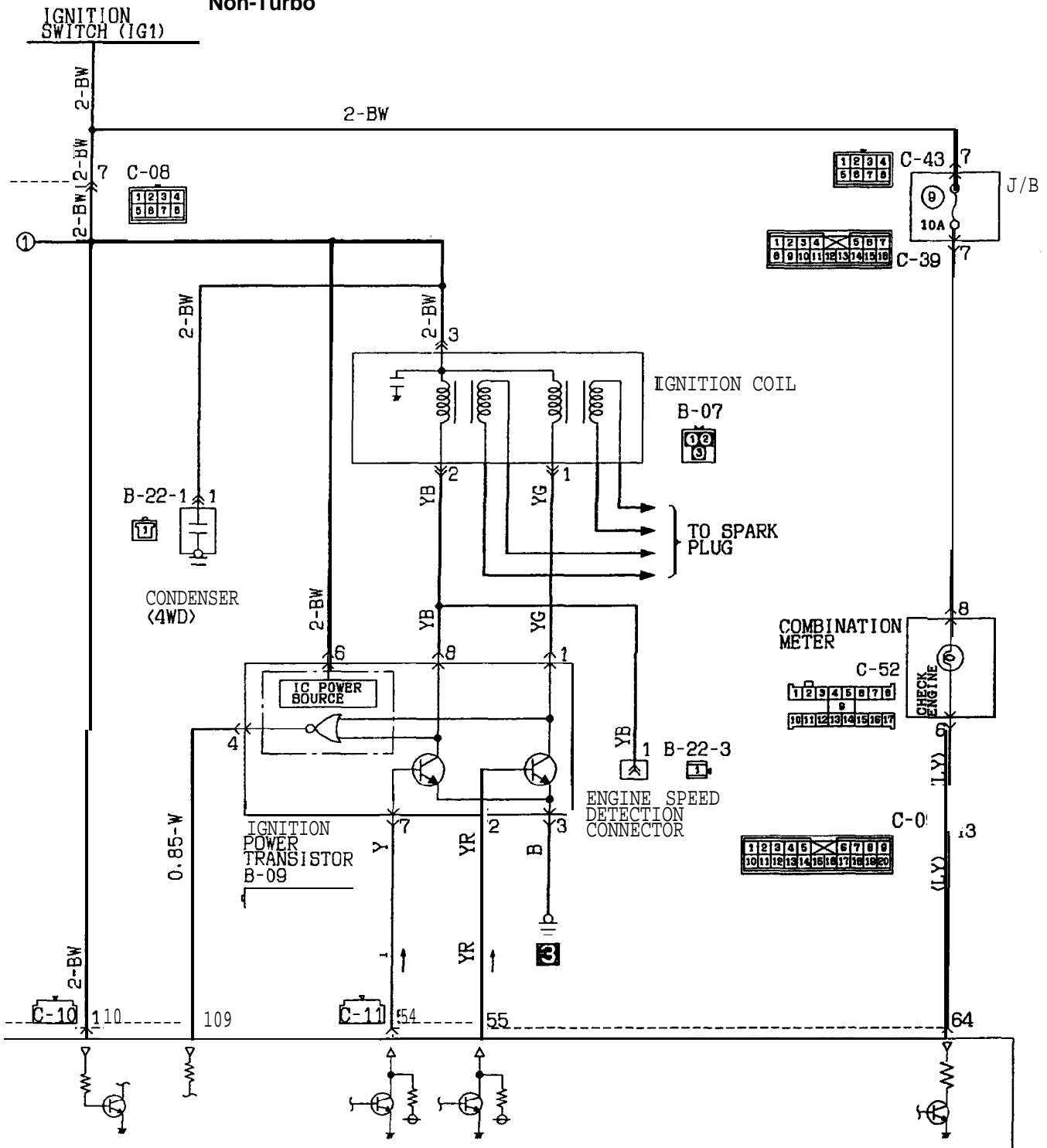
MFI CIRCUIT
<DOHC (1992 models)>

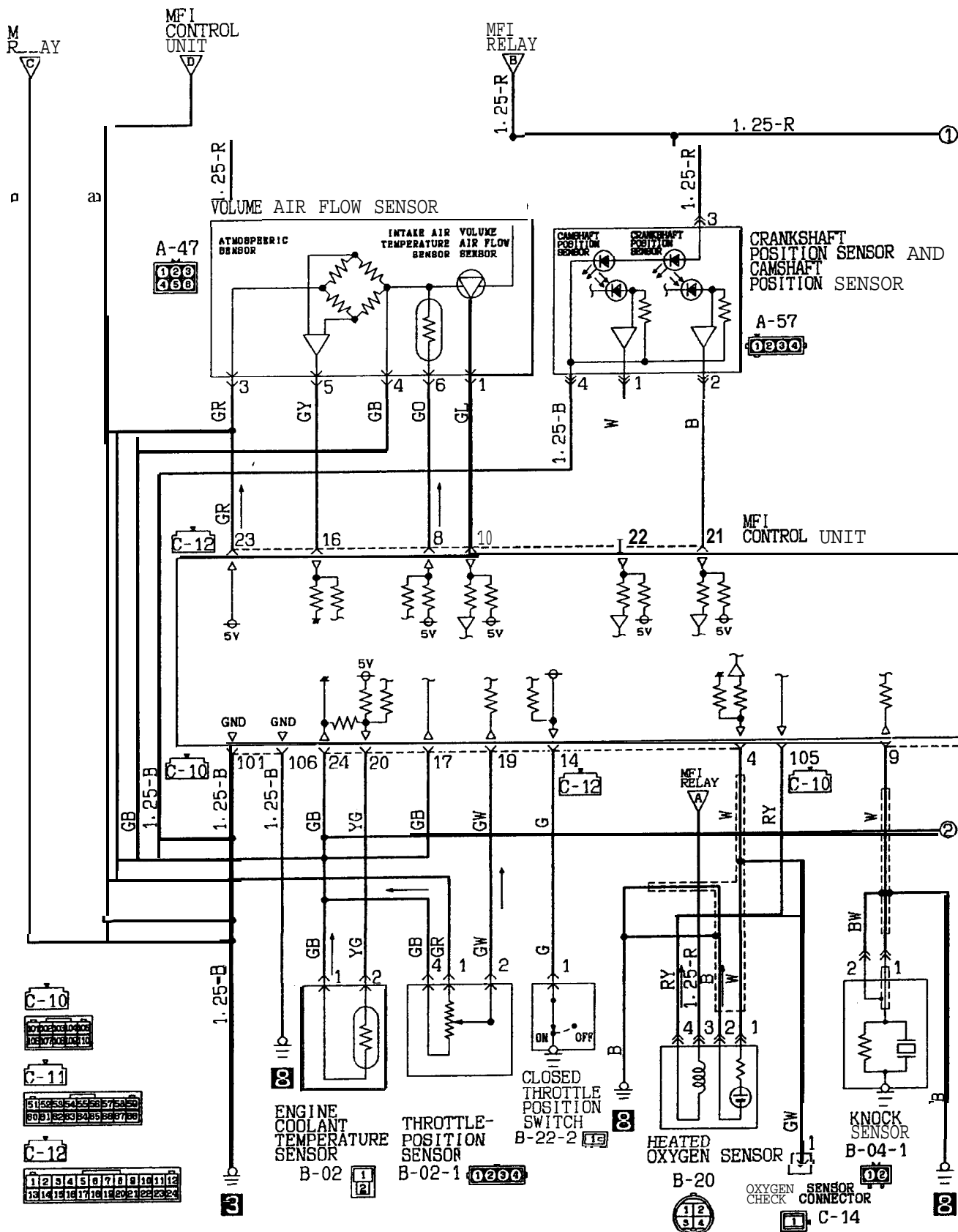
Non-Turbo



MFI CIRCUIT (CONTINUED)

<DOHC (1992 models)>
Non-Turbo





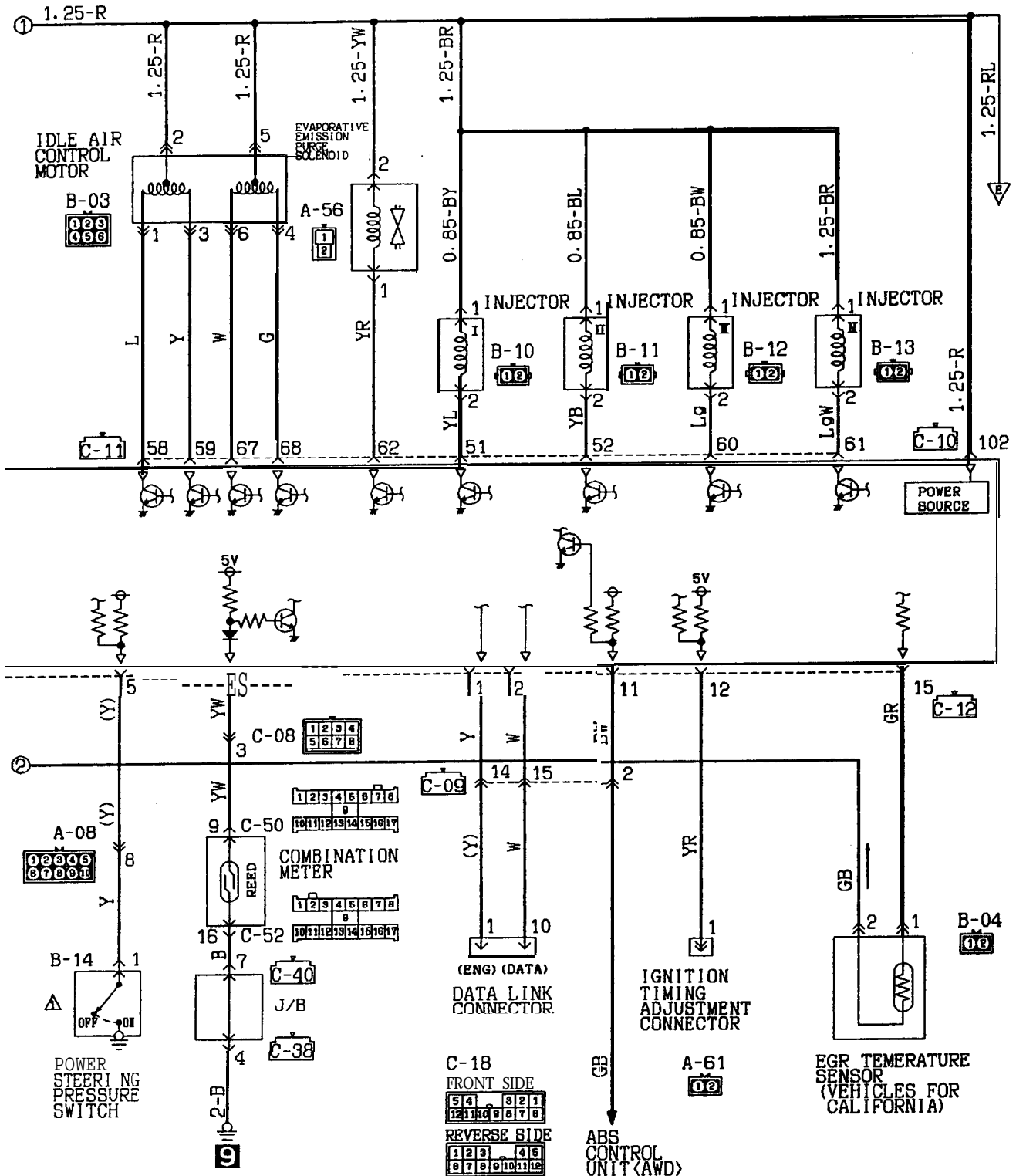
KX35-AC-H0537A-NM

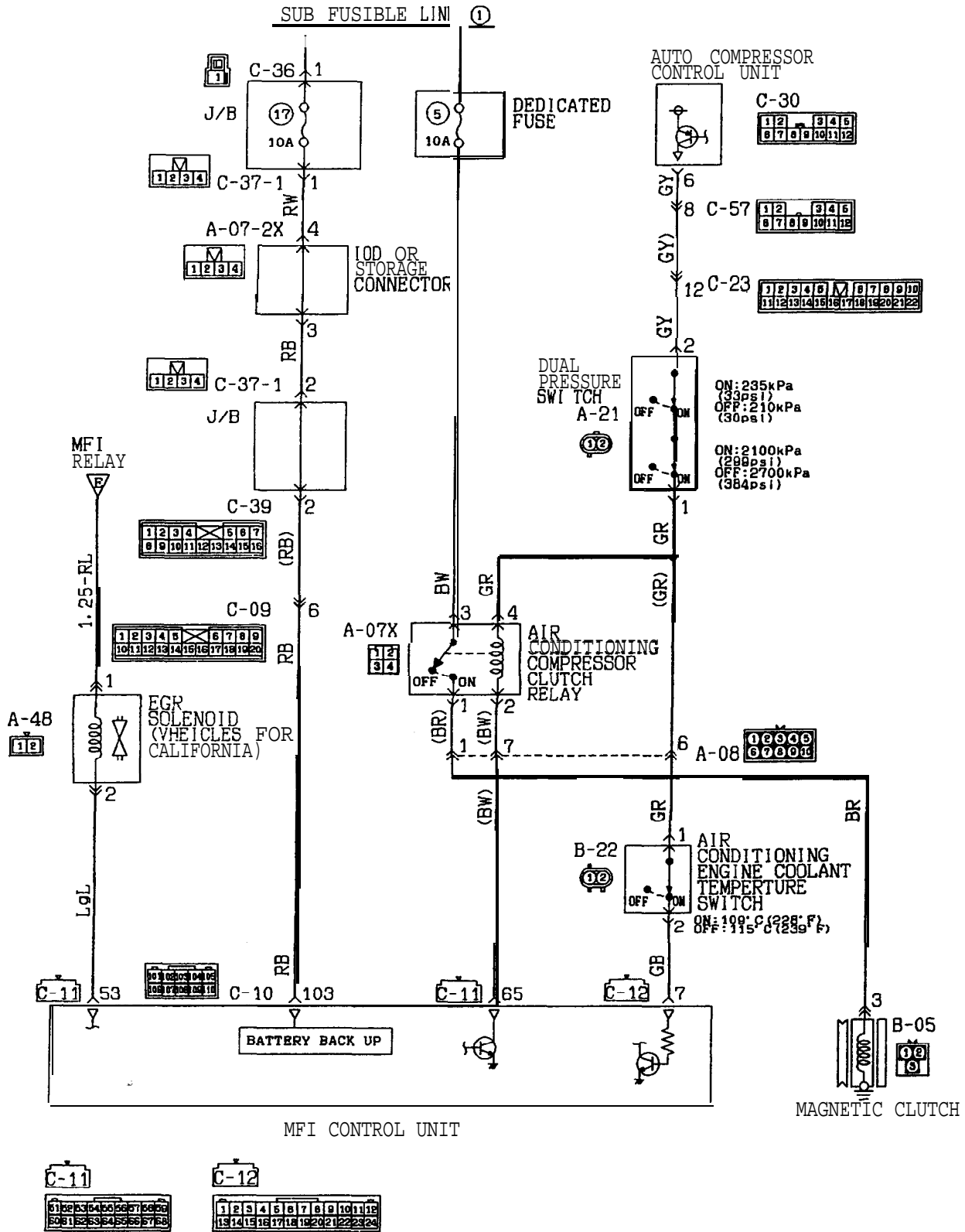
TSB Revision

MFI CIRCUIT (CONTINUED)

<DOHC (1992 models)>

Non-Turbo



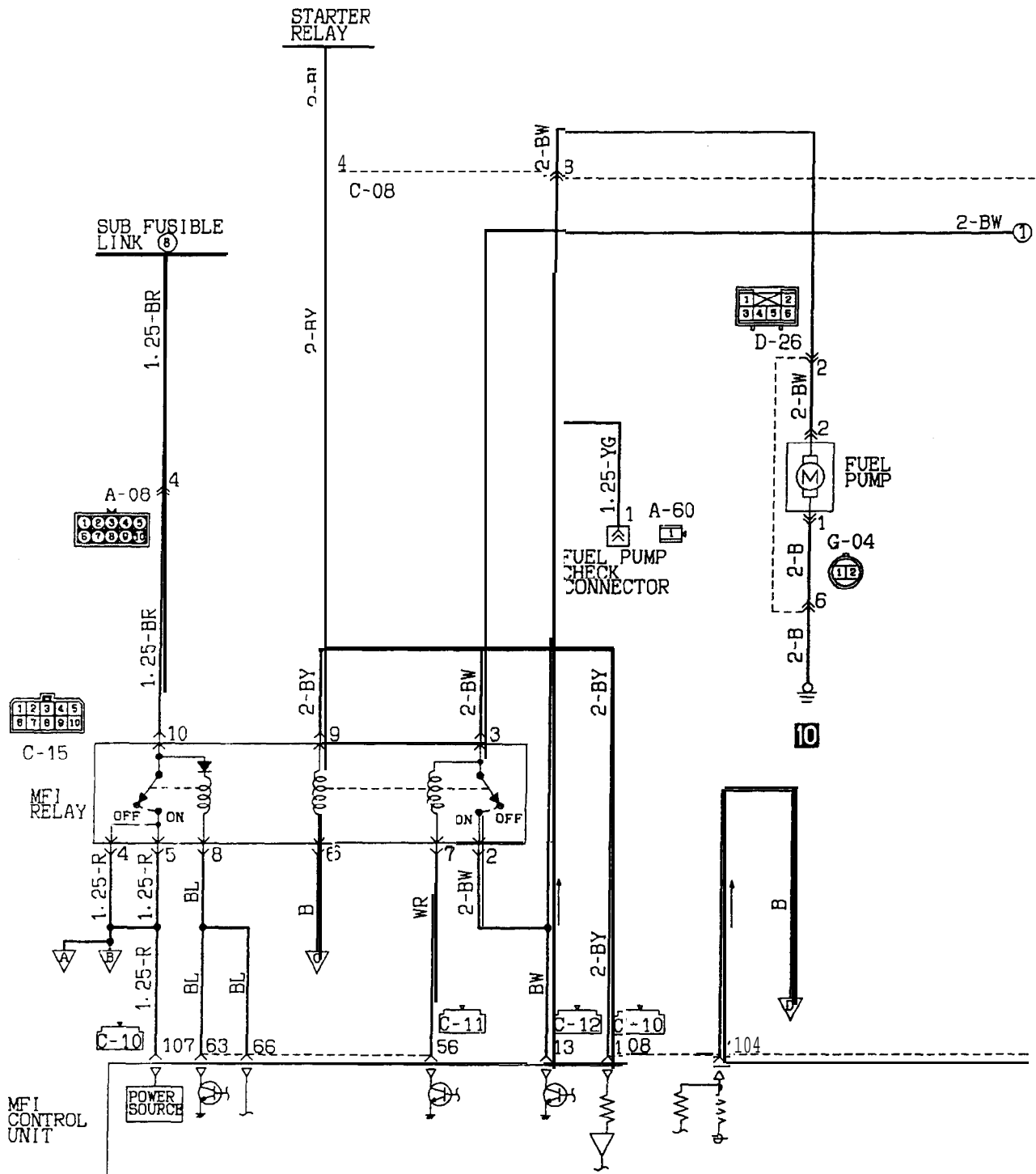


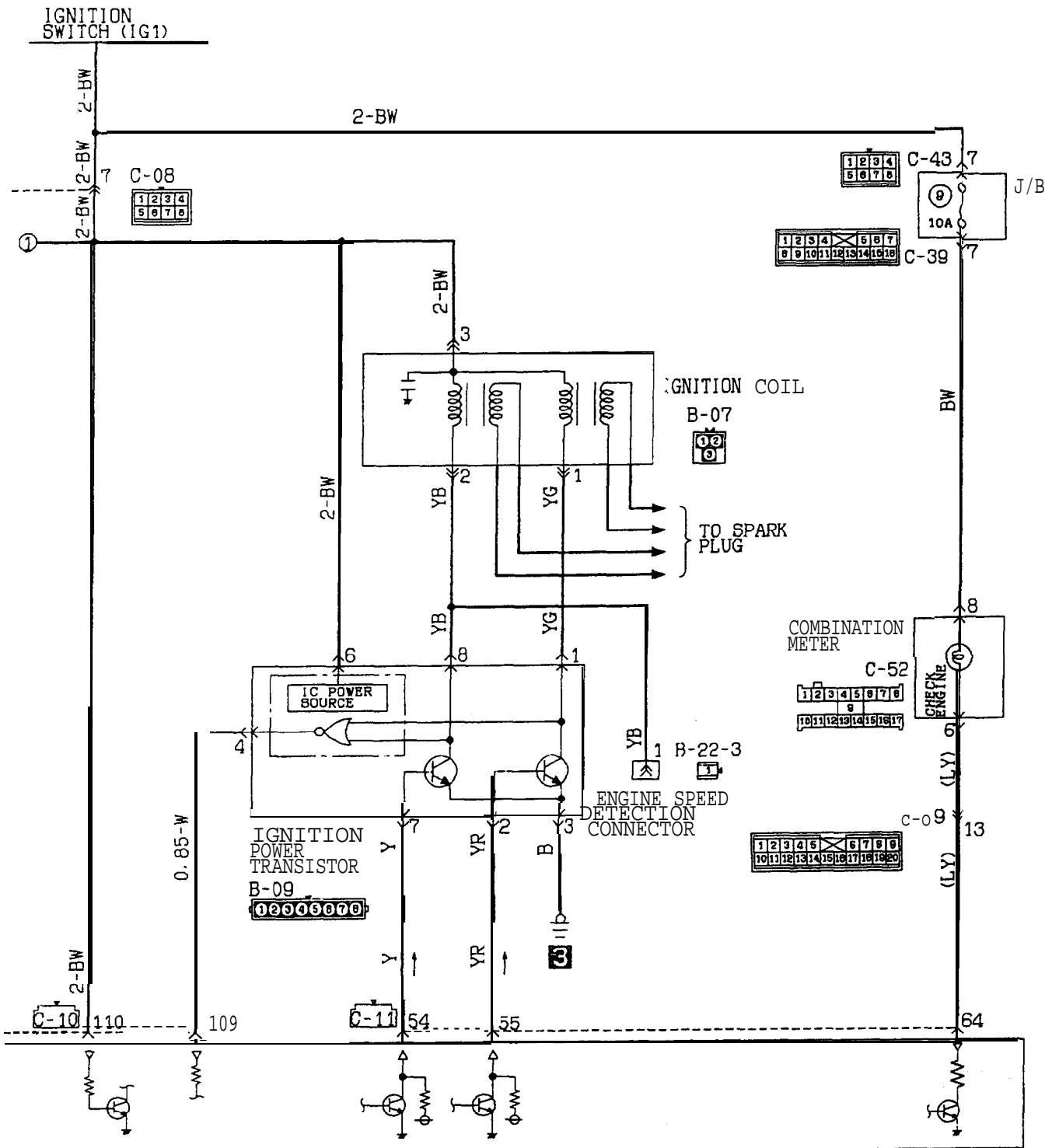
KX35-AC-H0537B-NM

TSB Revision

MFI CIRCUIT

<DOHC (1993 models)>
Non-Turbo

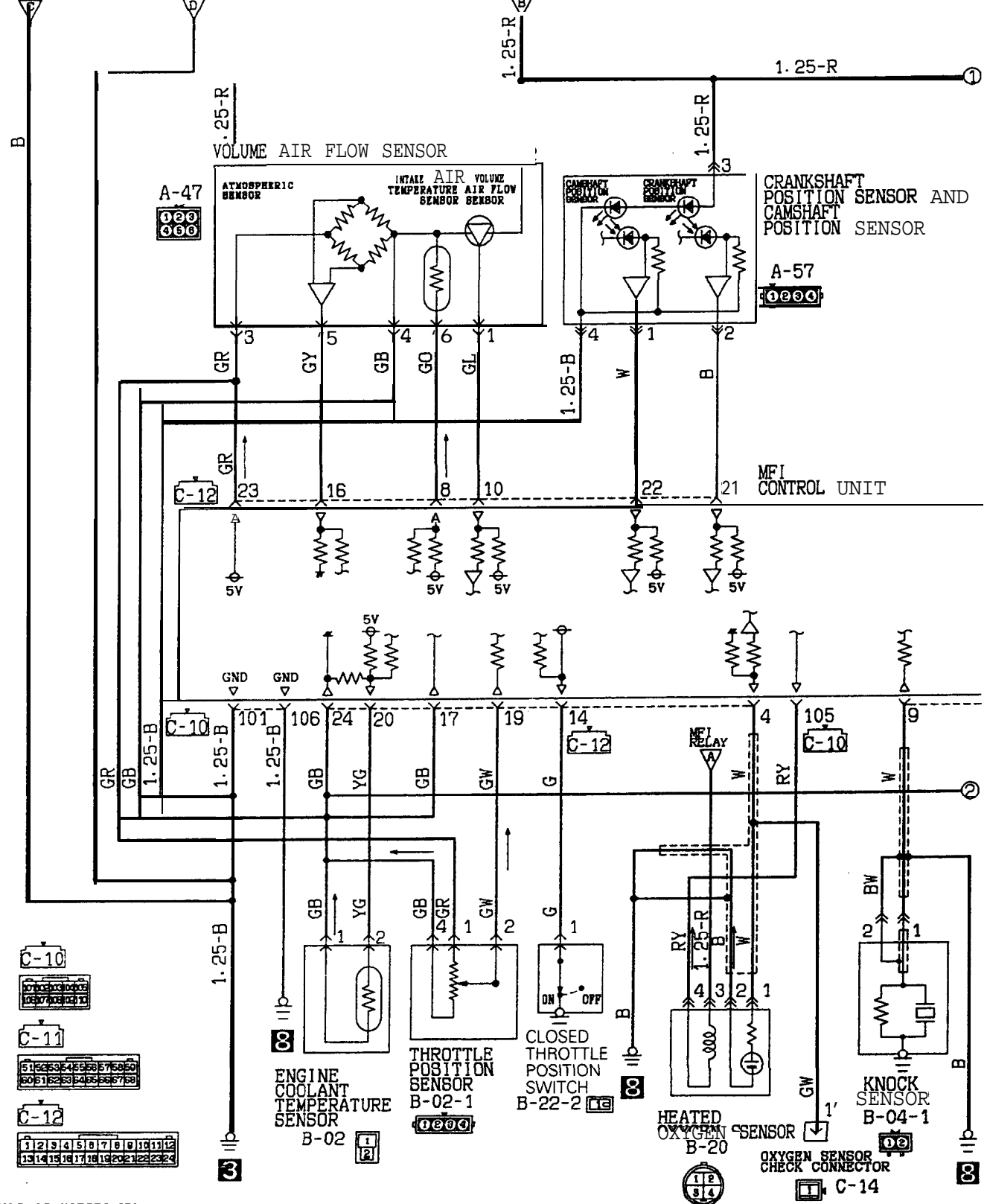




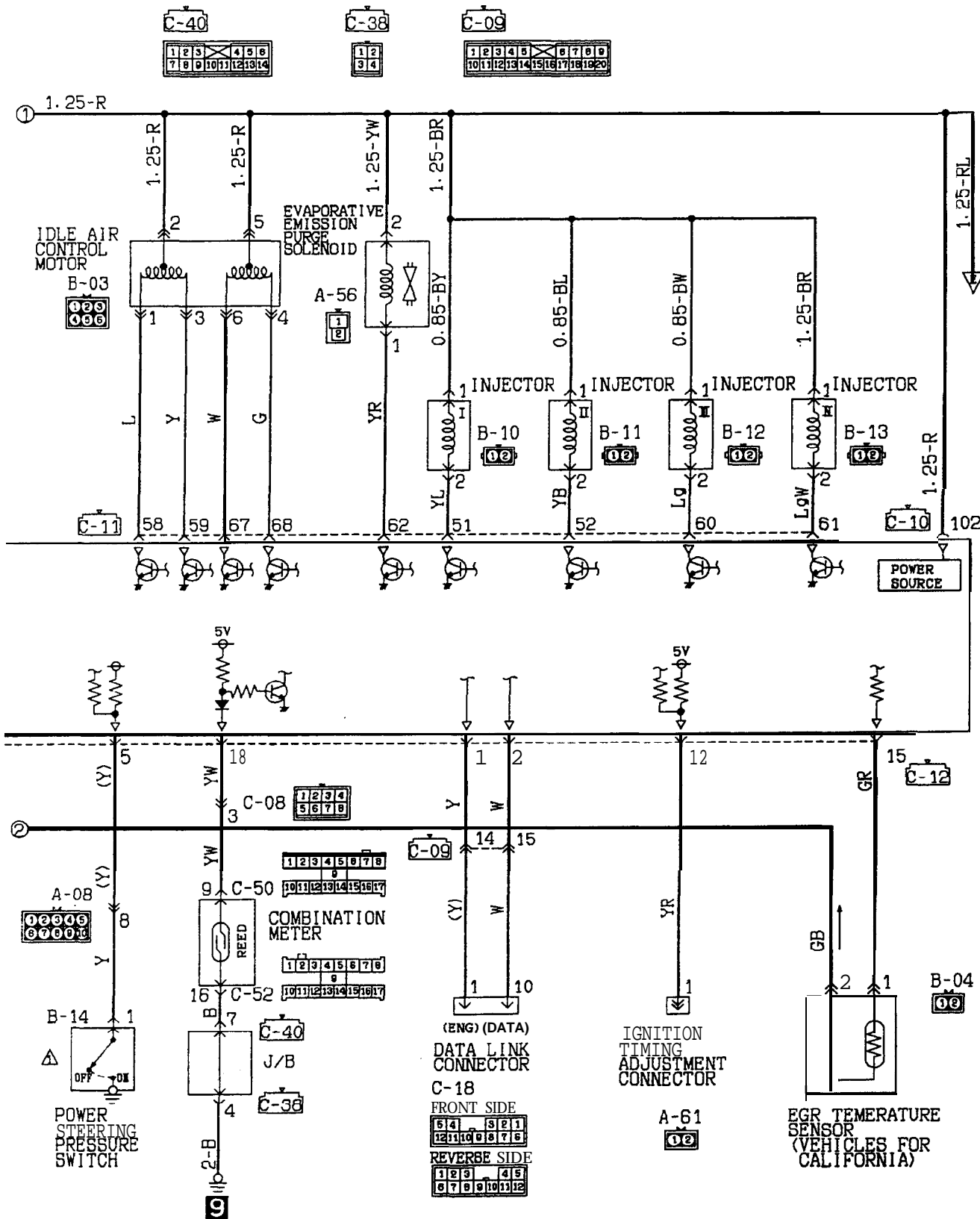
MFI CIRCUIT (CONTINUED)

<DOHC (1993 models)>

Non-Turbo MFI CONTROL UNIT



- C-10
- C-11
- C-12

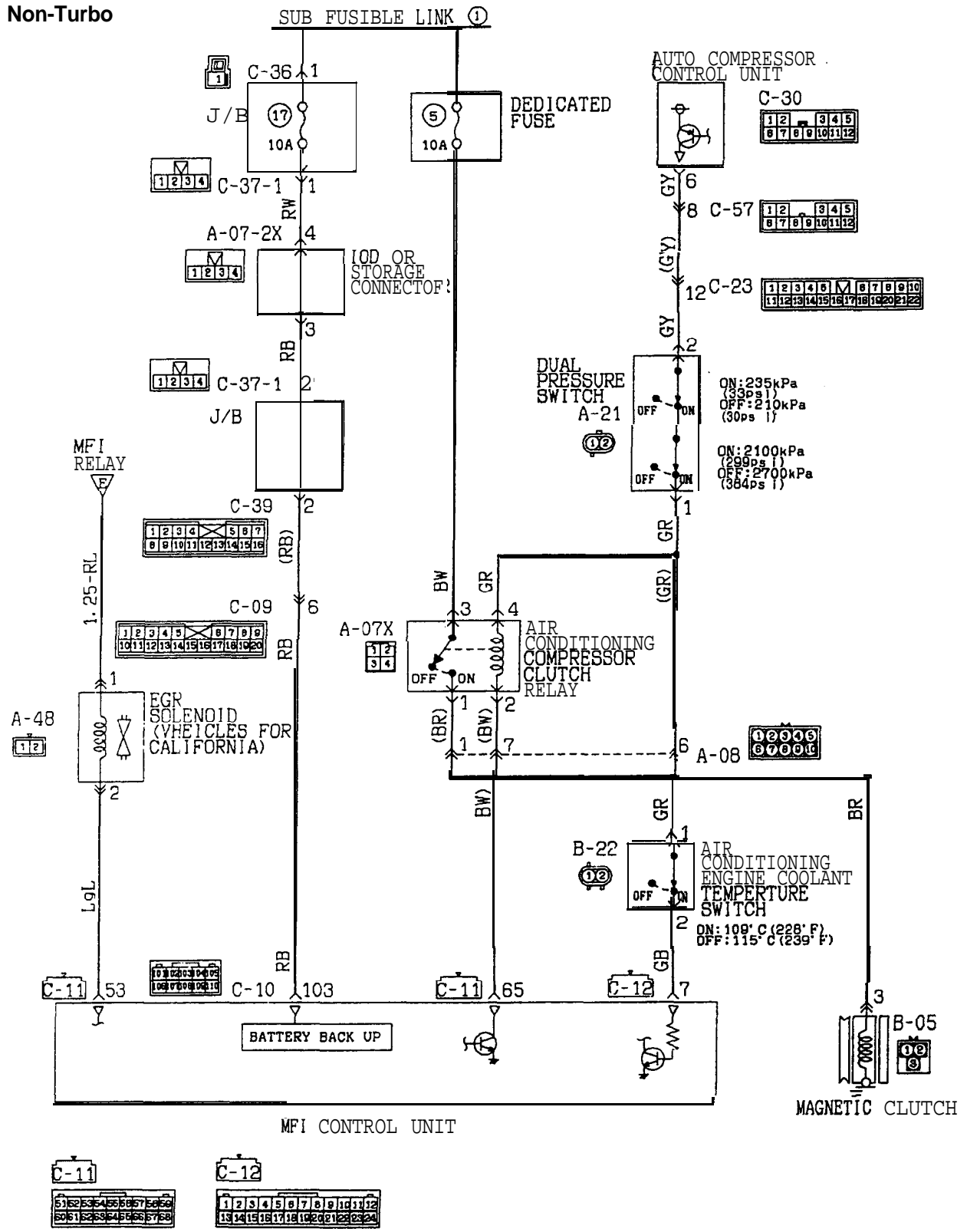


TSB Revision

MFI CIRCUIT (CONTINUED)

<DOHC (1993 models)>

Non-Turbo



KX35-AC-H0539B-NM

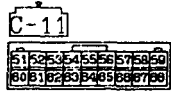
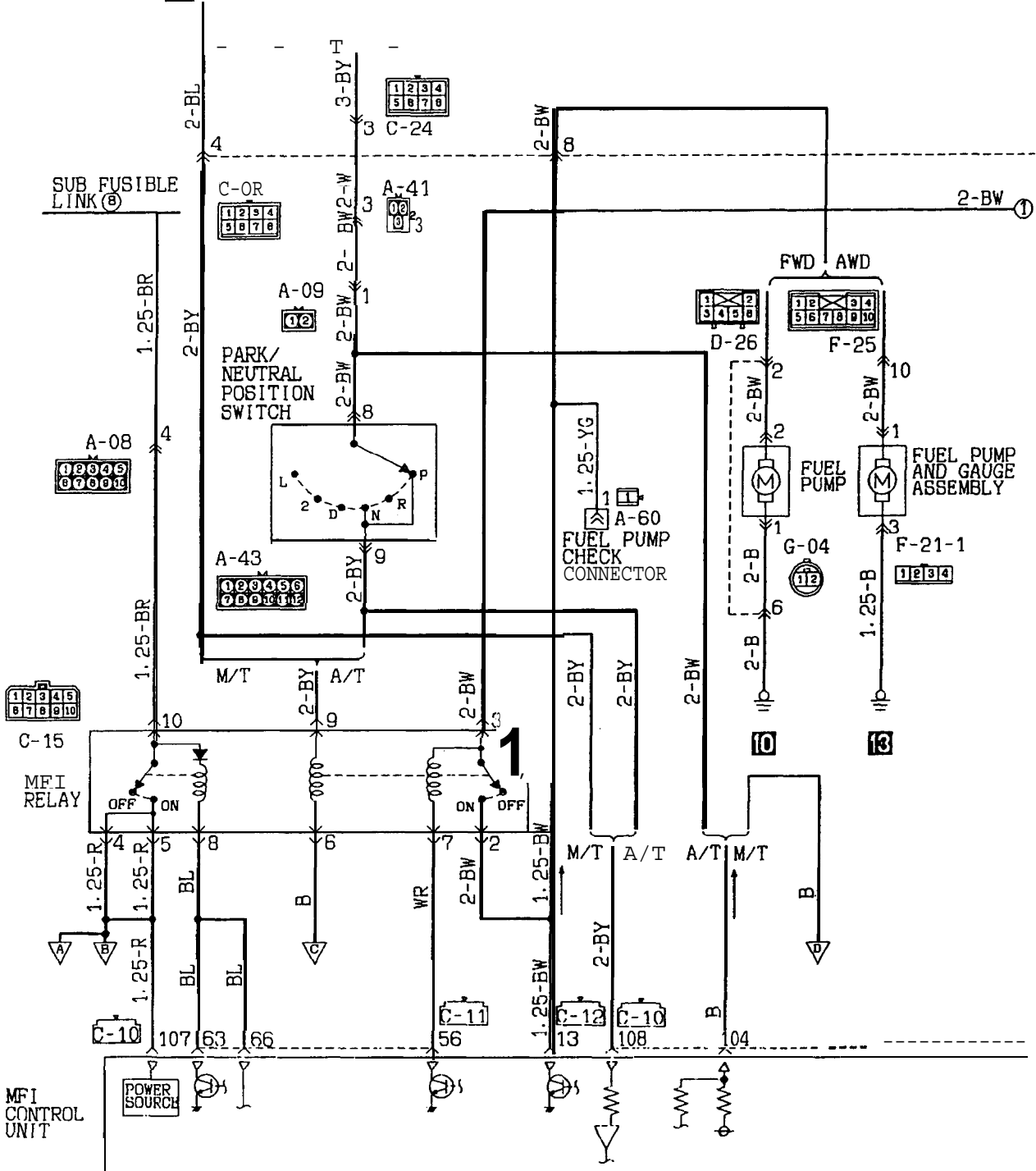
TSB Revision

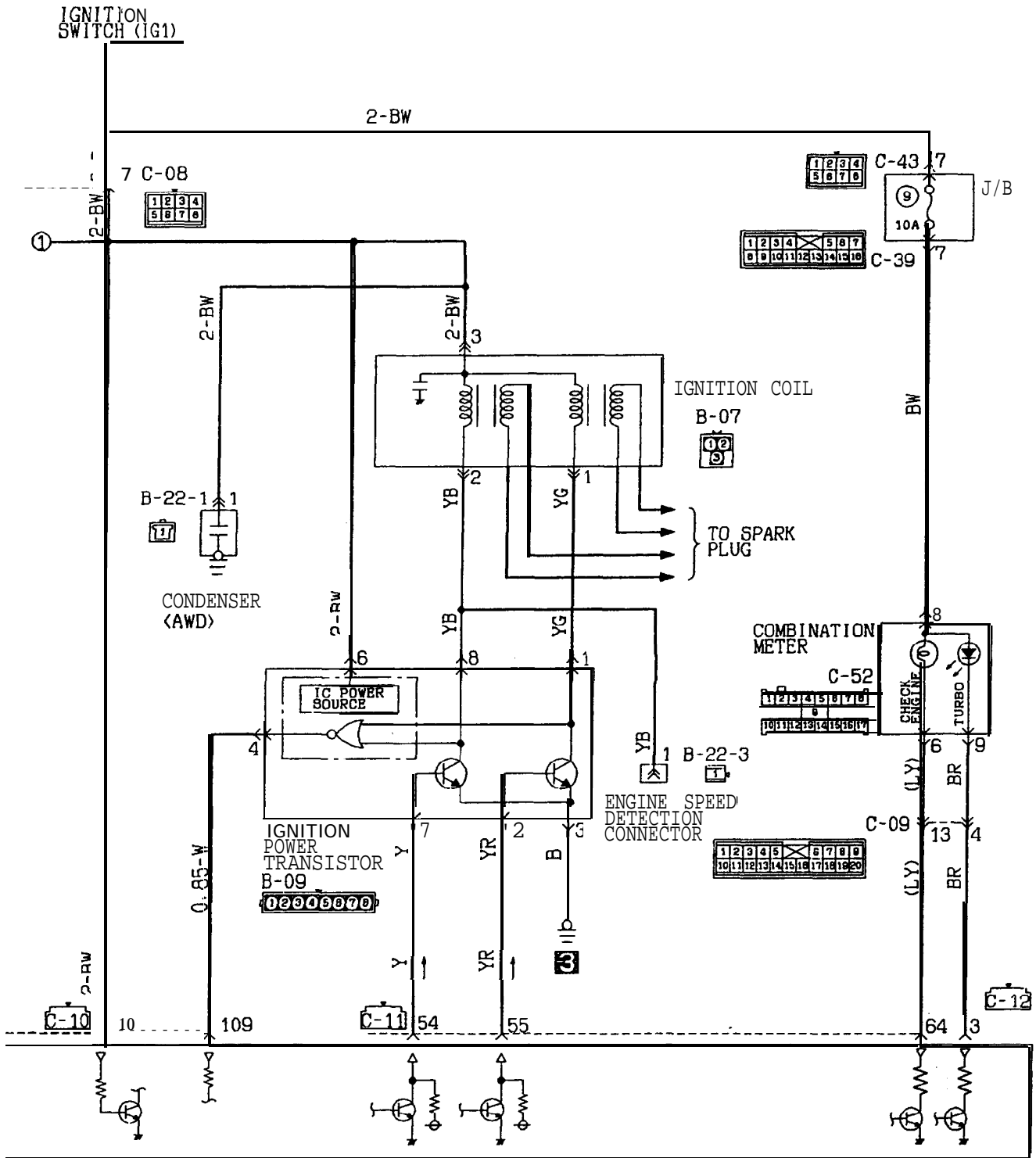
NOTES

MFI CIRCUIT
<DOHC (From 1991 models)>

Turbo

STARTER RELAY IGNITION SWITCH (ST)

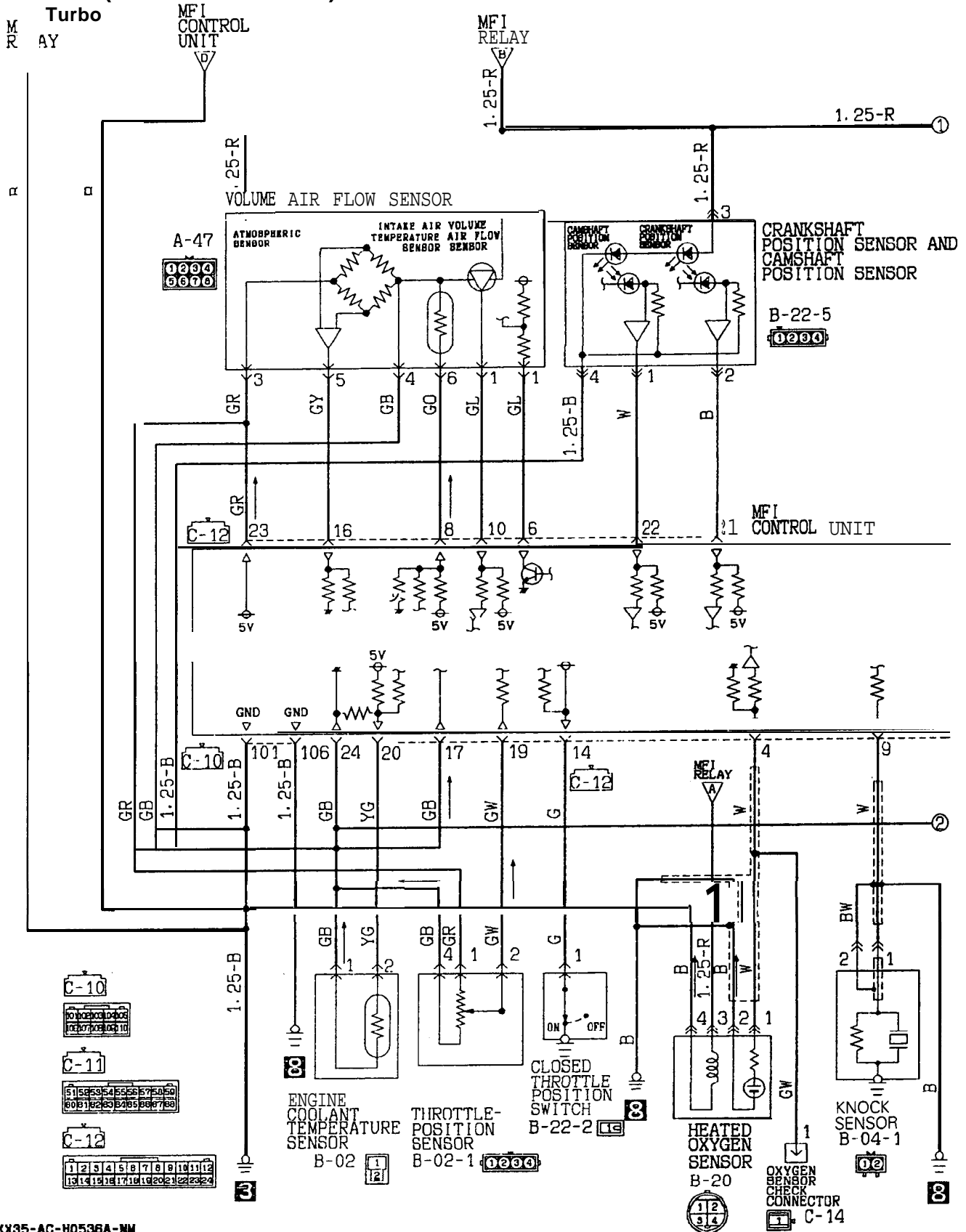




TSB Revision

MFI CIRCUIT (CONTINUED)

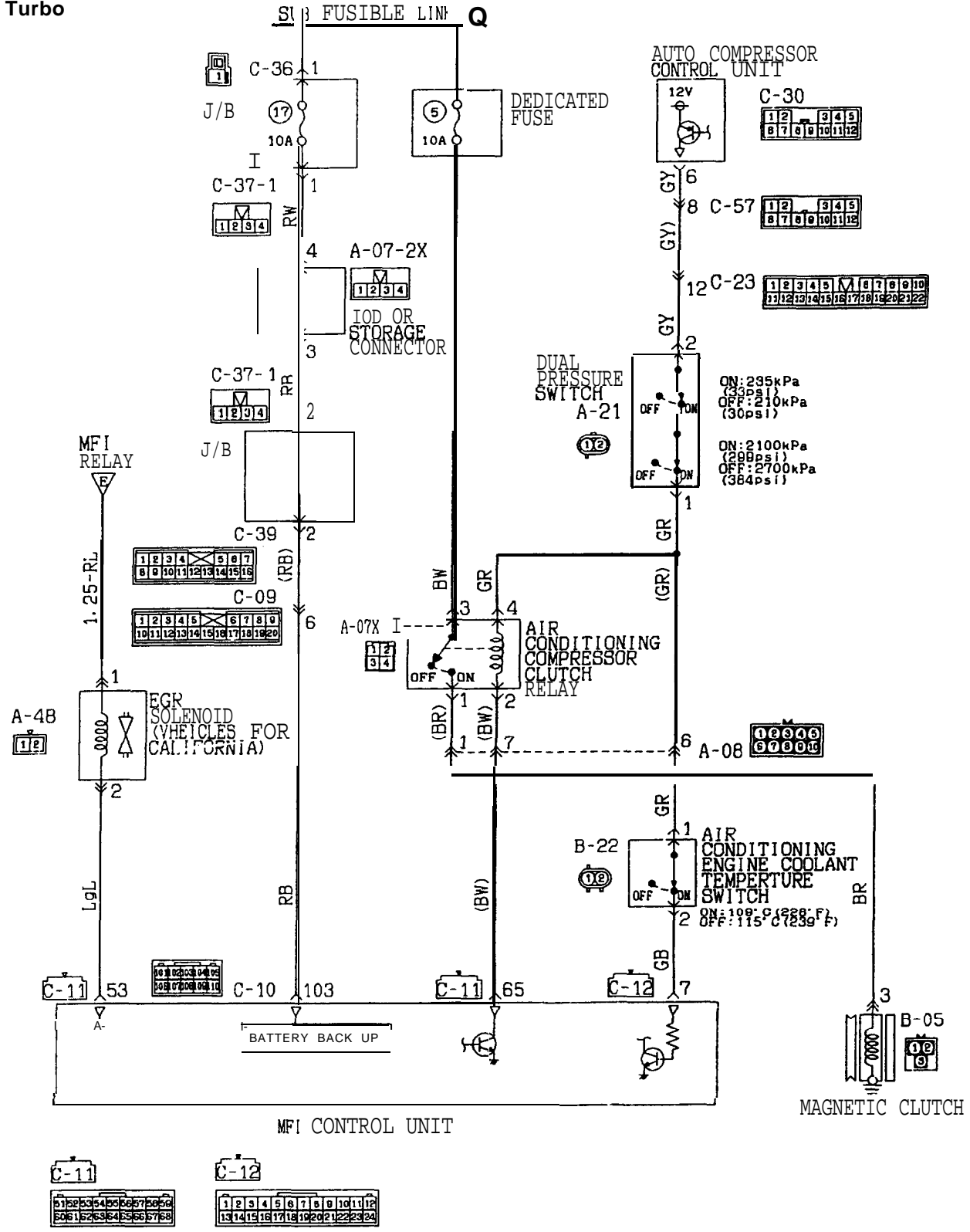
<DOHC (From 1991 models)>



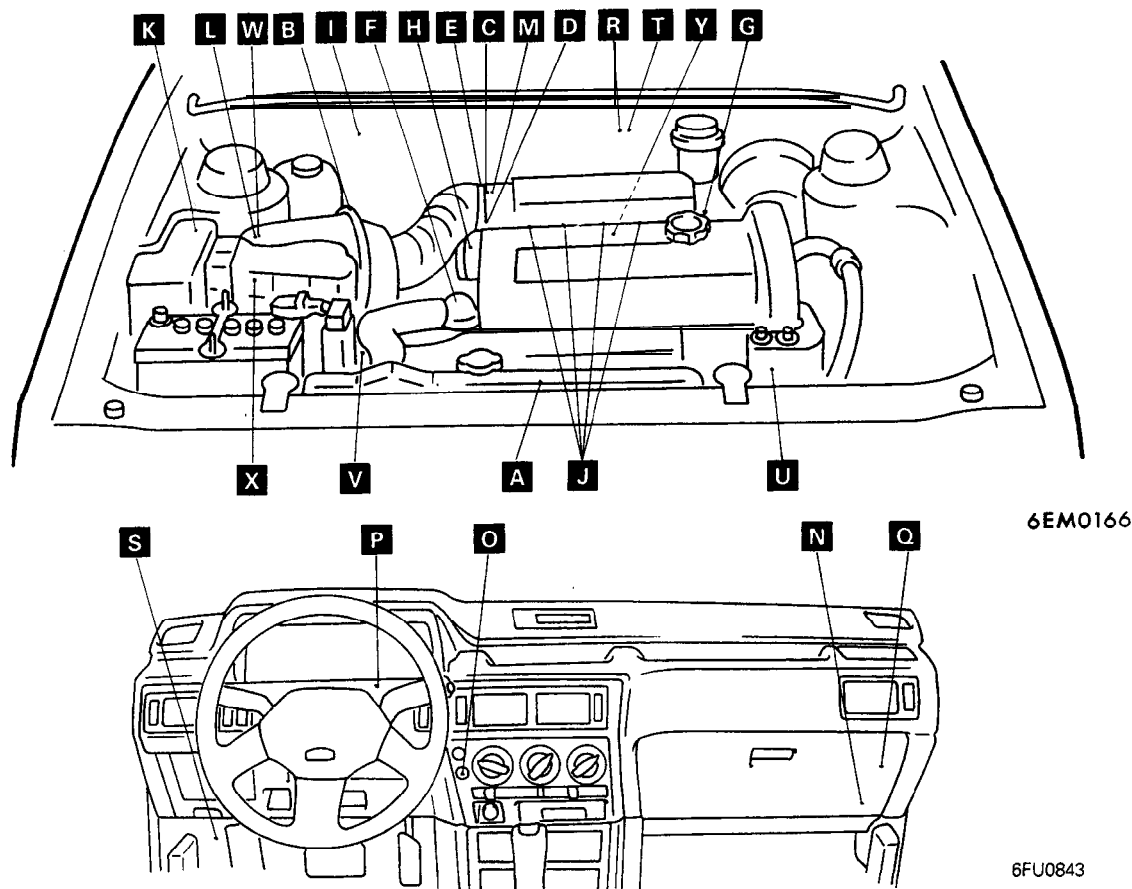
MFI CIRCUIT (CONTINUED)

<DOHC (From 1991 models)>

Turbo



COMPONENT LOCATION



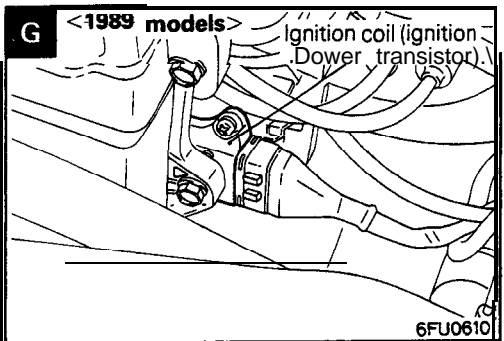
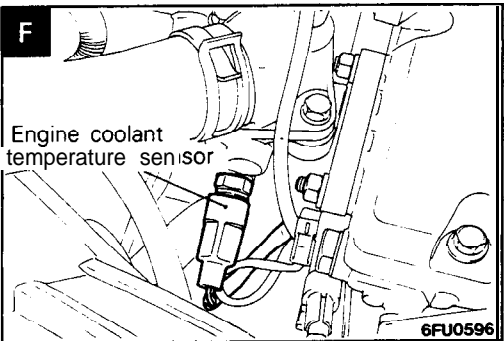
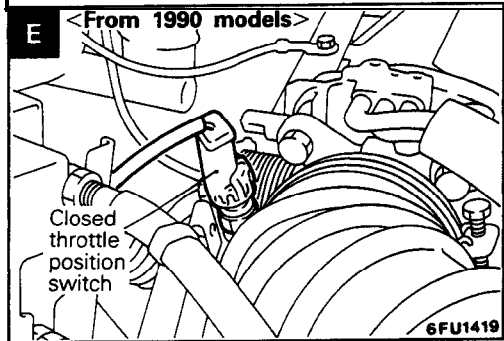
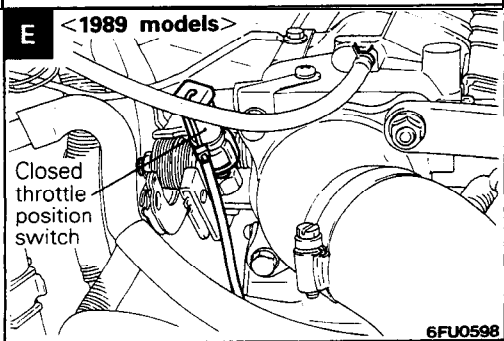
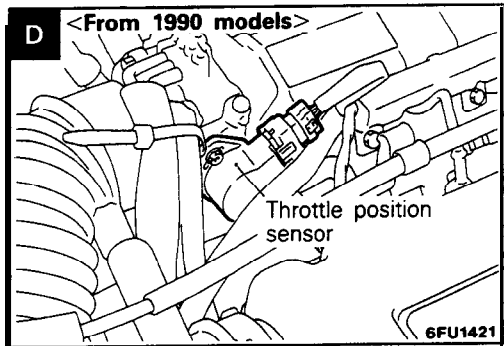
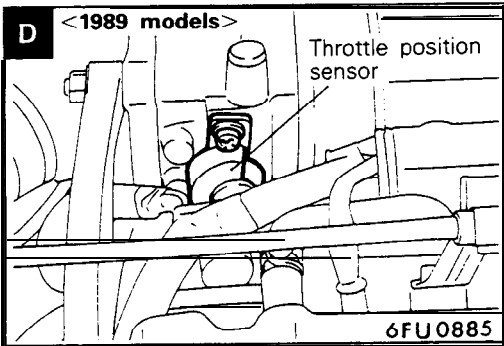
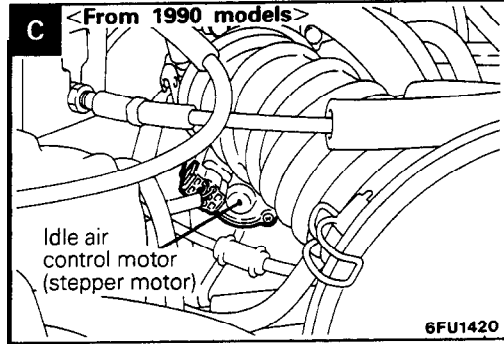
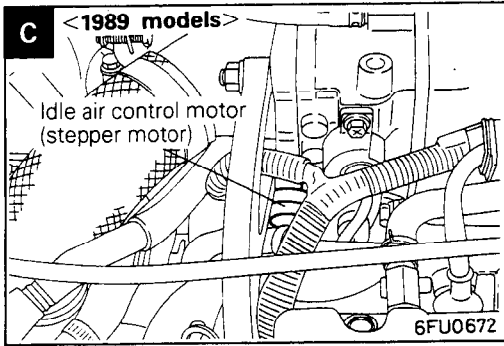
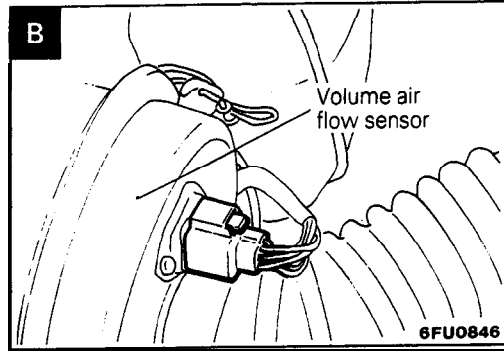
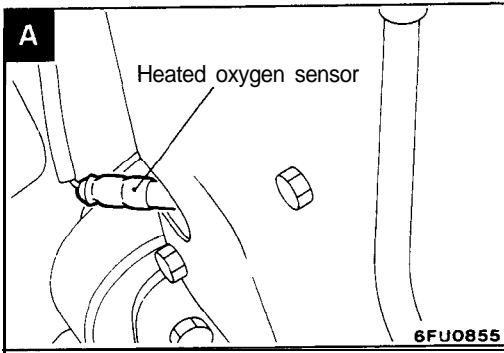
6EM0166

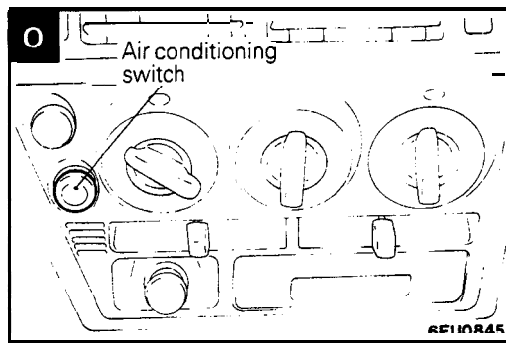
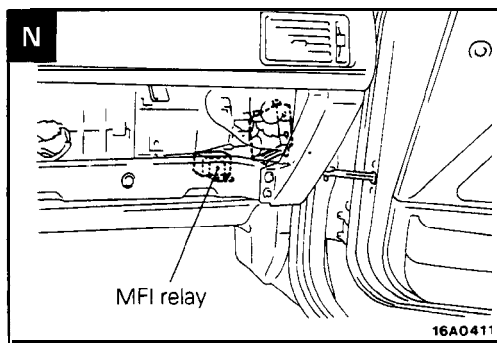
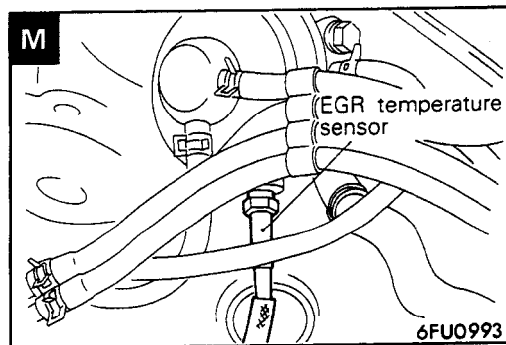
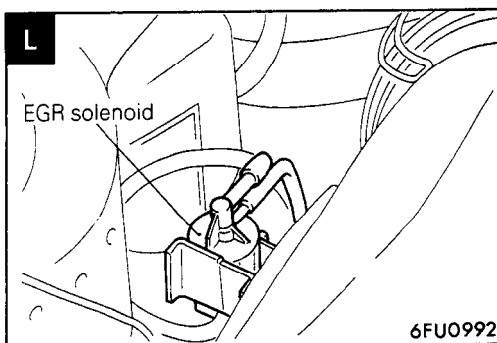
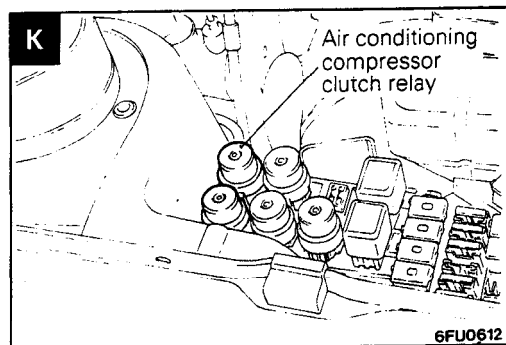
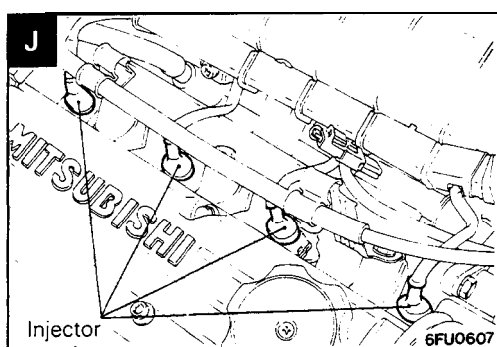
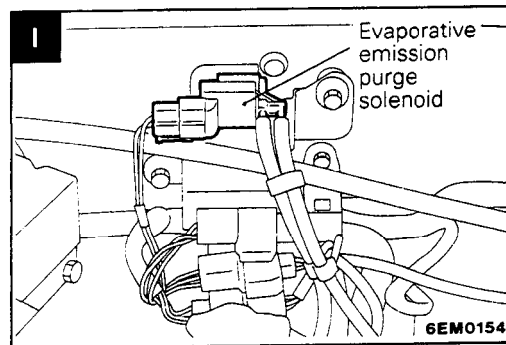
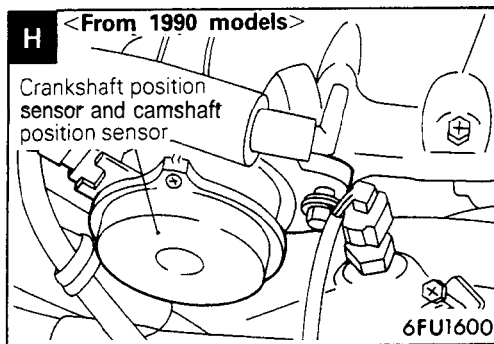
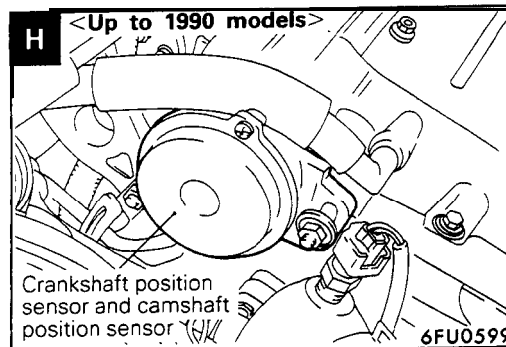
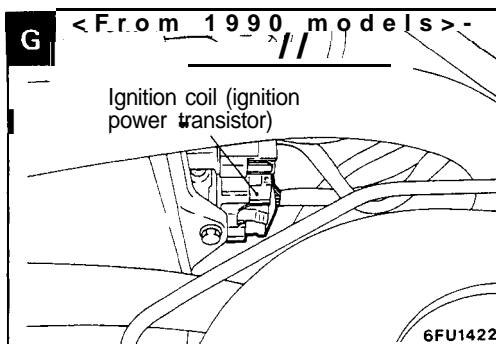
6FU0843

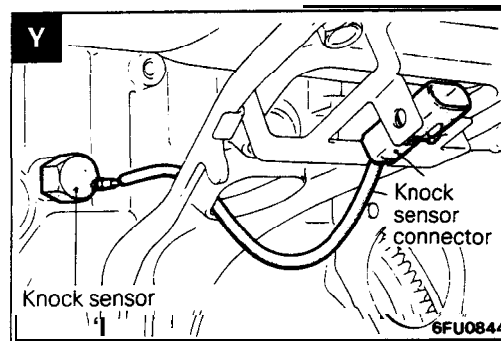
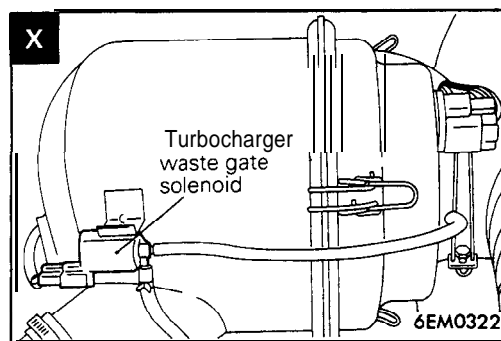
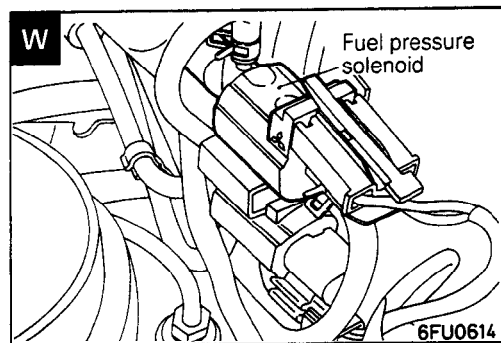
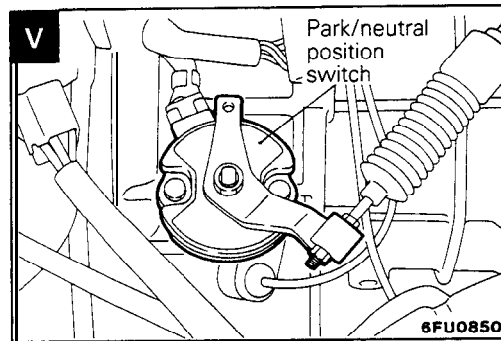
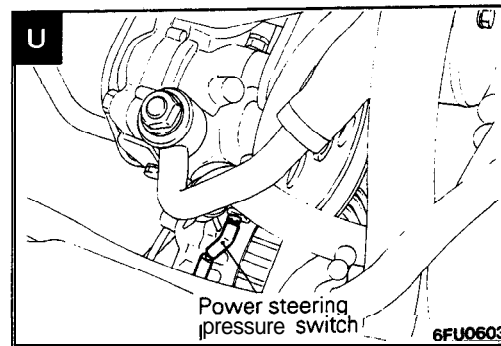
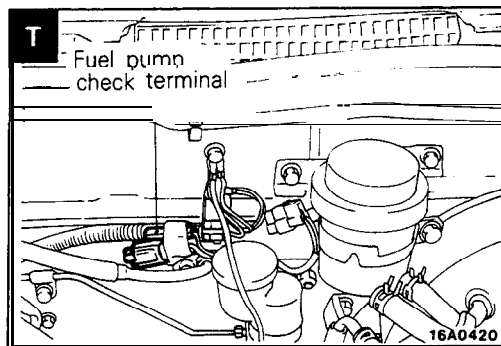
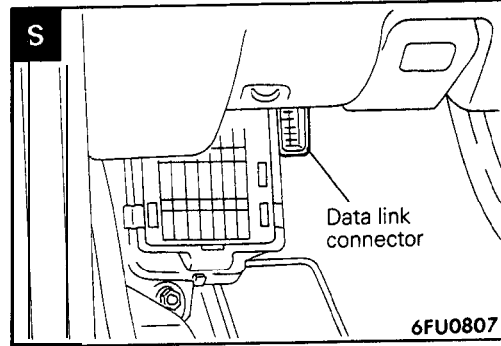
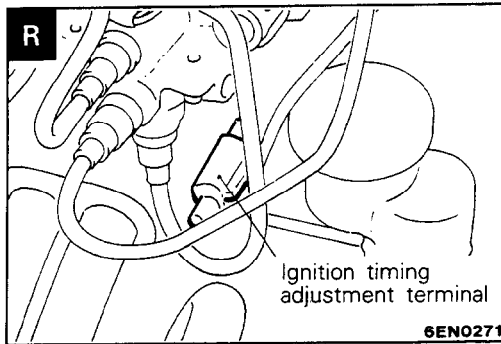
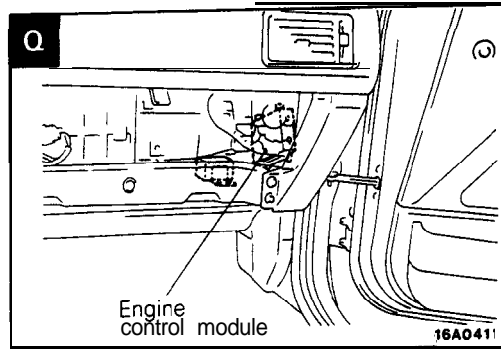
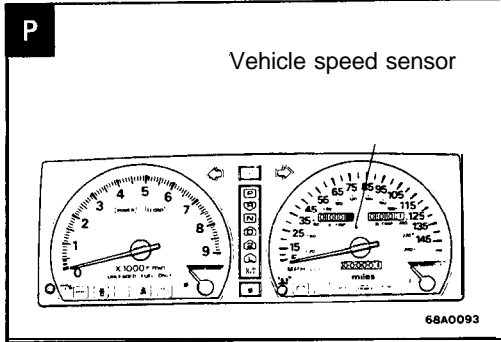
Name	Symbol	Name	Symbol
Air conditioning compressor clutch relay	K	Idle air control motor (stepper motor)	C
Air conditioning switch	O	Ignition coil (ignition power transistor)	G
Closed throttle position switch (fixed SAS)	E	Ignition timing adjustment terminal	R
Crankshaft position sensor and camshaft position sensor	H	Injector	J
Data link connector	S	Knock sensor	Y
Engine control module	Q	Multiport fuel injection relay	N
Engine coolant temperature sensor	F	Park/neutral position switch <A/T>	V
EGR solenoid	L	Power steering pressure switch	U
EGR temperature sensor	M	Throttle position sensor	D
Evaporative emission purge solenoid	I	Turbocharger waste gate solenoid	X
Fuel pressure solenoid	W	Vehicle speed sensor (reed switch)	P
Fuel pump check terminal	T	Volume air flow sensor (incorporating intake air temperature sensor and barometric pressure sensor)	B
Heated oxygen sensor	A		

NOTE
The "Name" column is arranged in alphabetical order,

TSB Revision

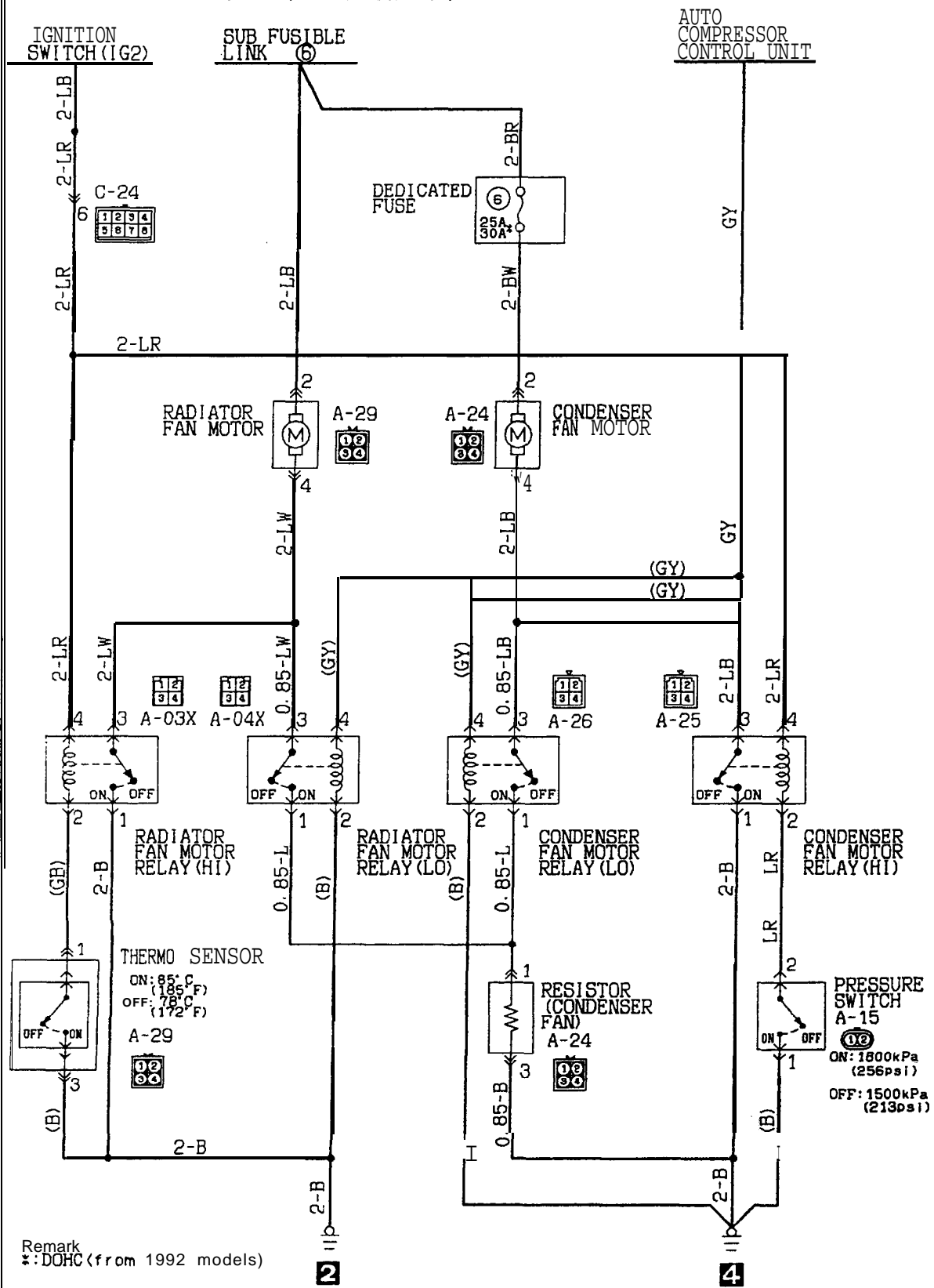






COOLING CIRCUIT

<Non-Turbo (FWD, AWD-M/T)>

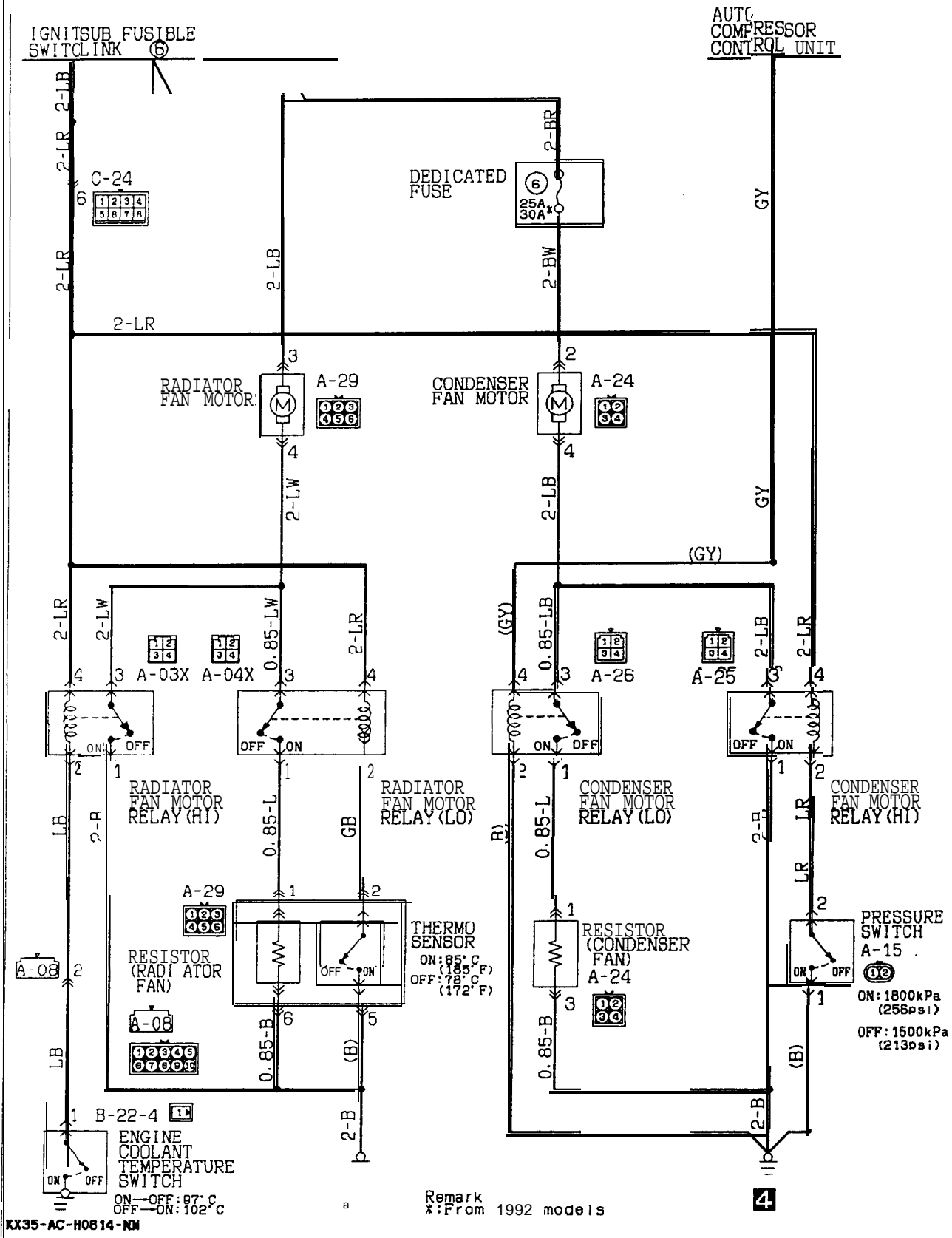


Remark
*: DOHC (from 1992 models)

KX35-AC-H0813-NM

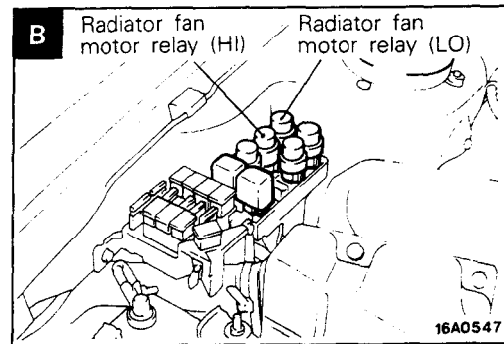
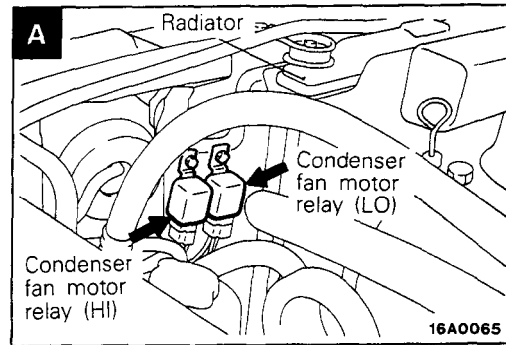
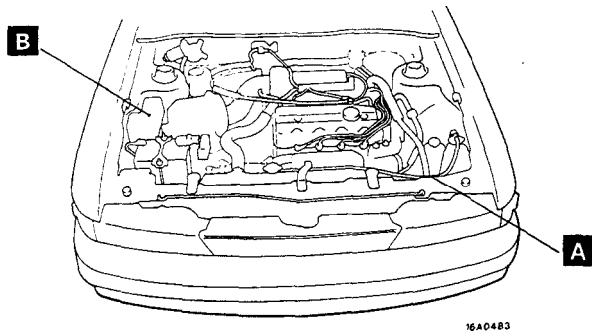
COOLING CIRCUIT

<Non-Turbo (AWD-A/T), Turbo>

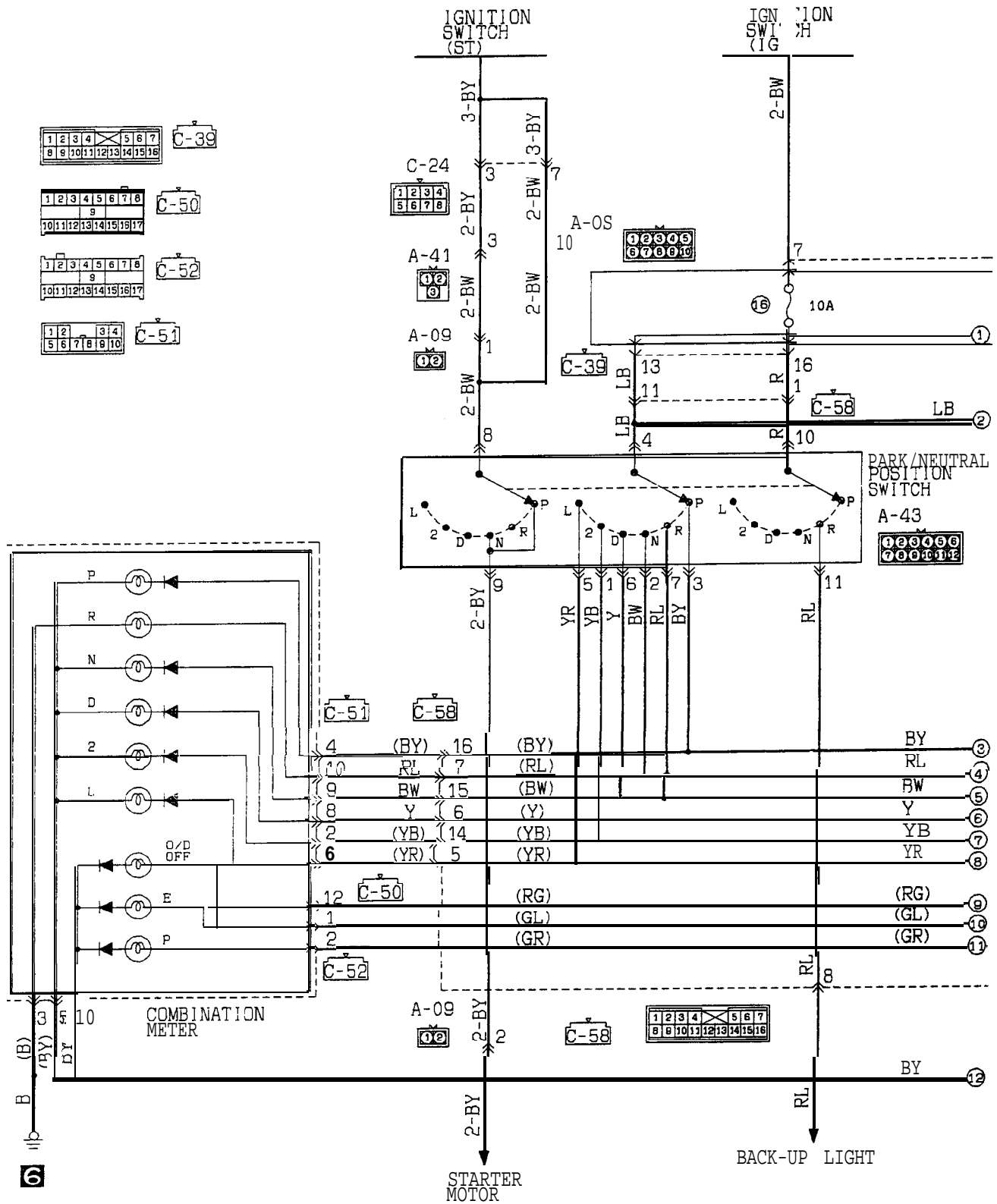


COMPONENT LOCATION

Name	Symbol	Name	Symbol
Condenser fan motor relay (HI)	A	Radiator fan motor relay (HI)	B
Condenser fan motor relay (LO)	A	Radiator fan motor relay (LO) <Vehicles with an air conditioning>	B

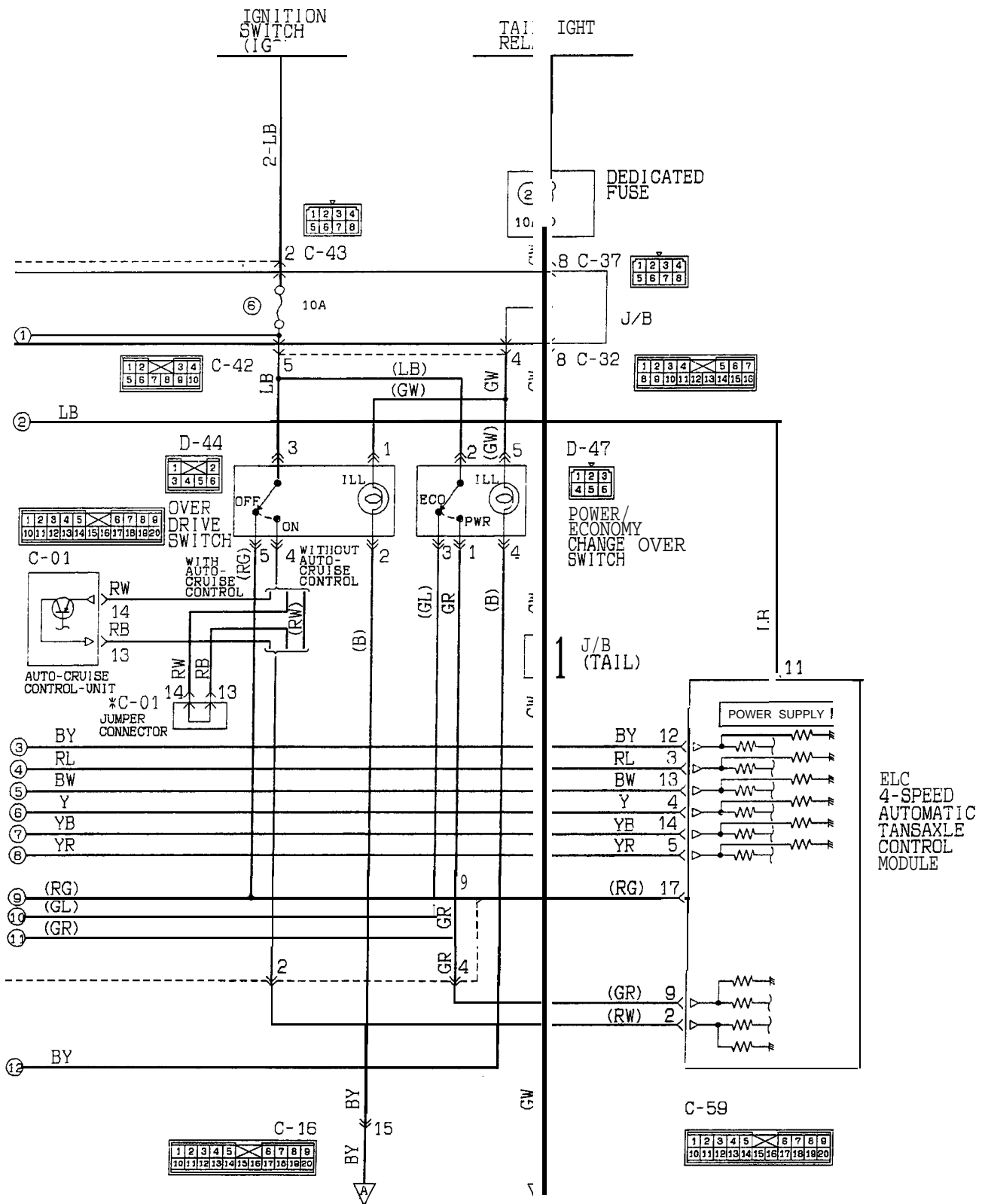


ELC 4-SPEED AUTOMATIC TRANSAXLE CIRCUIT (1989 MODELS)



135-AC-H0707-NM

TSB Revision

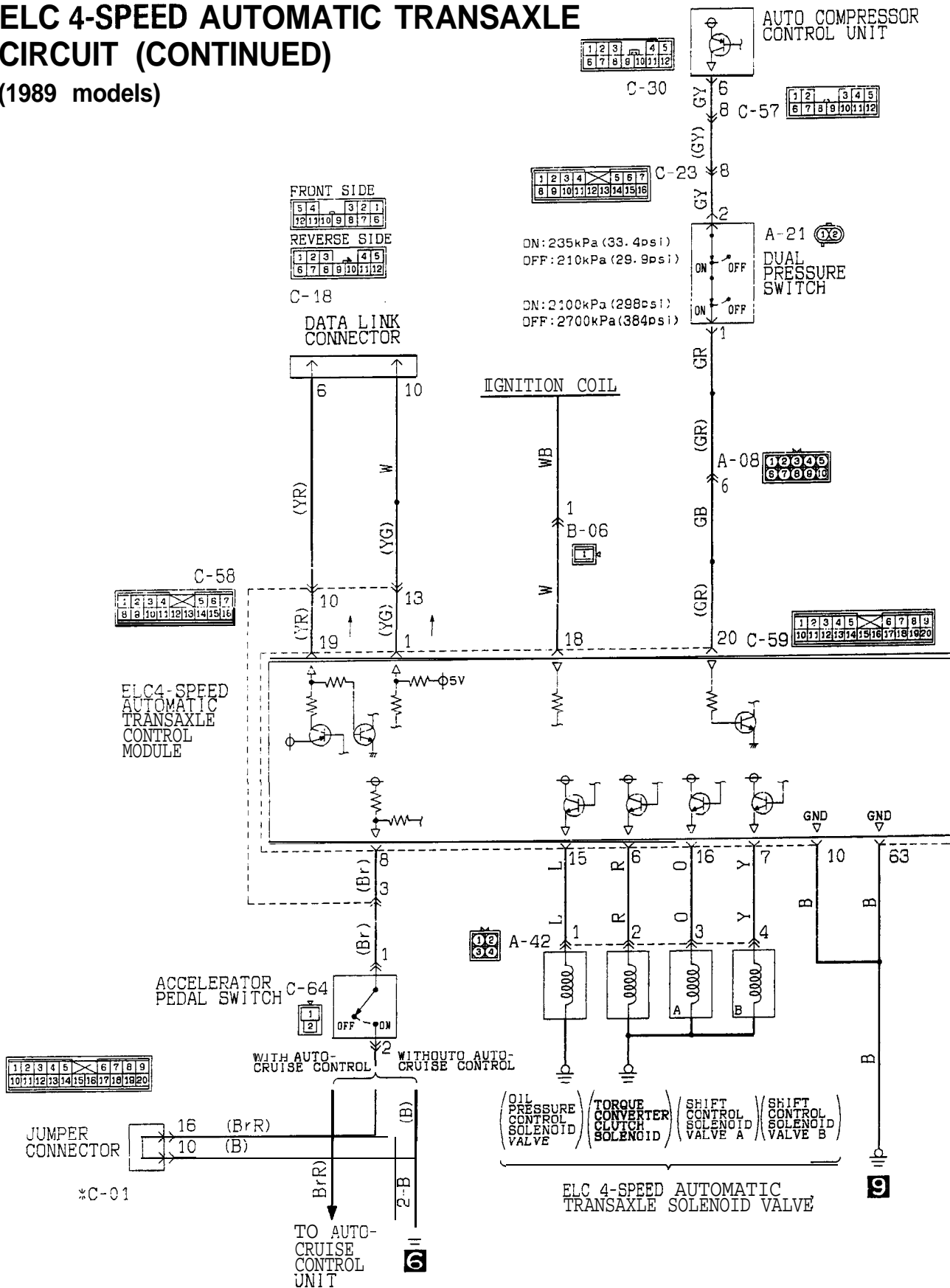


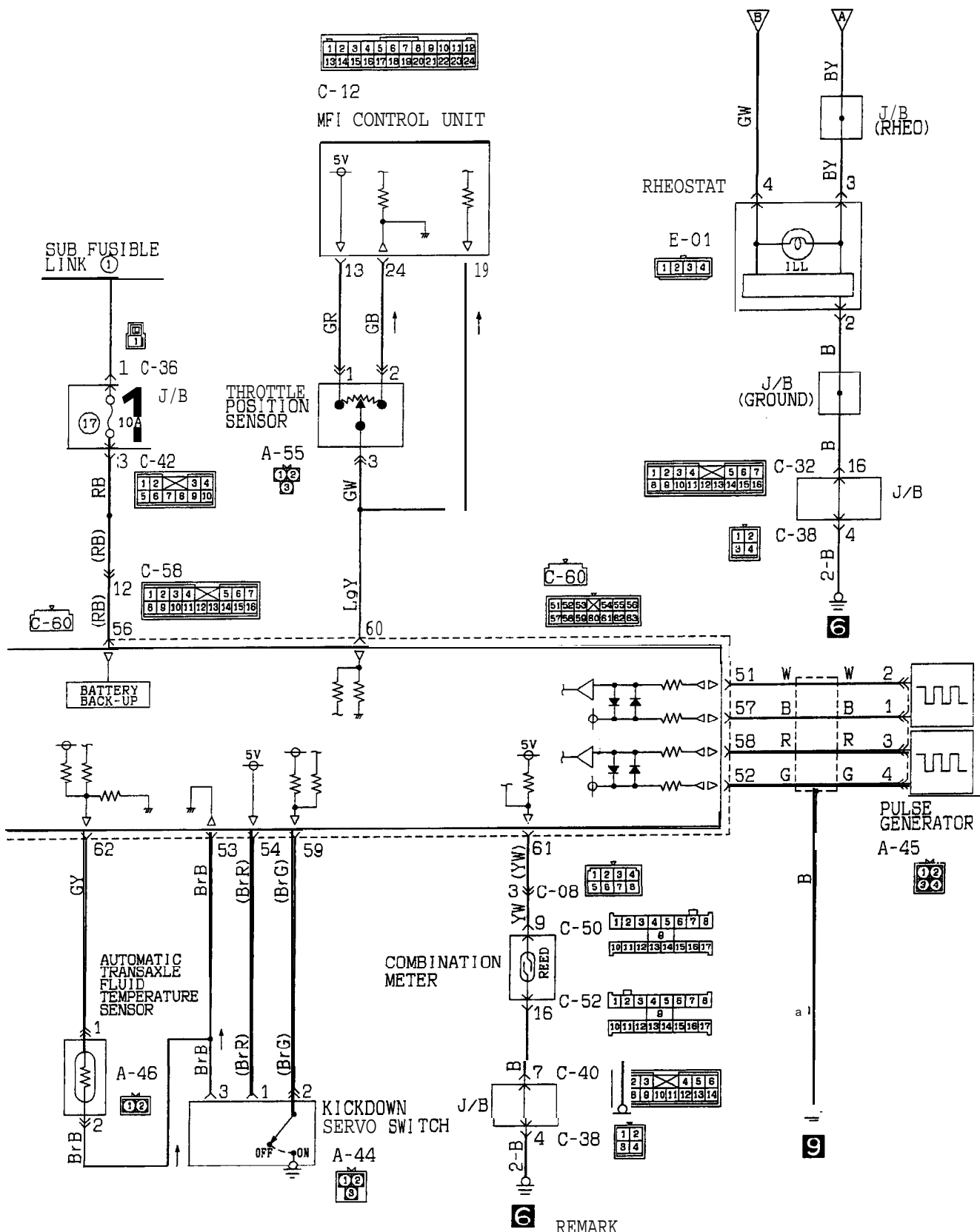
REMARK
 *MARK INDICATES THE OPTIONAL WIRING
 HARNESS FOR AUTO-CRUISE CONTROL SYSTEM.

TSB Revision

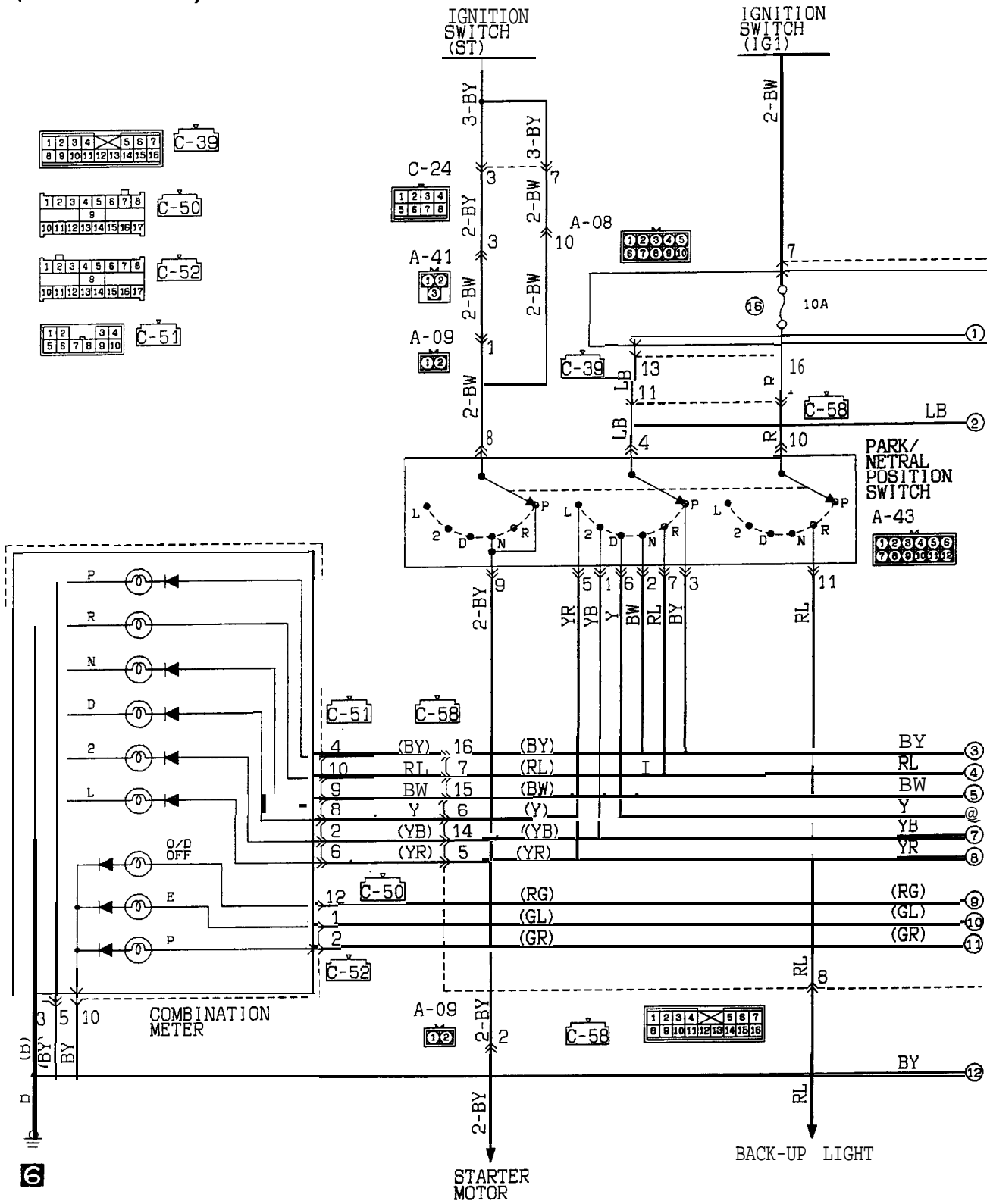
ELC 4-SPEED AUTOMATIC TRANSAXLE CIRCUIT (CONTINUED)

(1989 models)



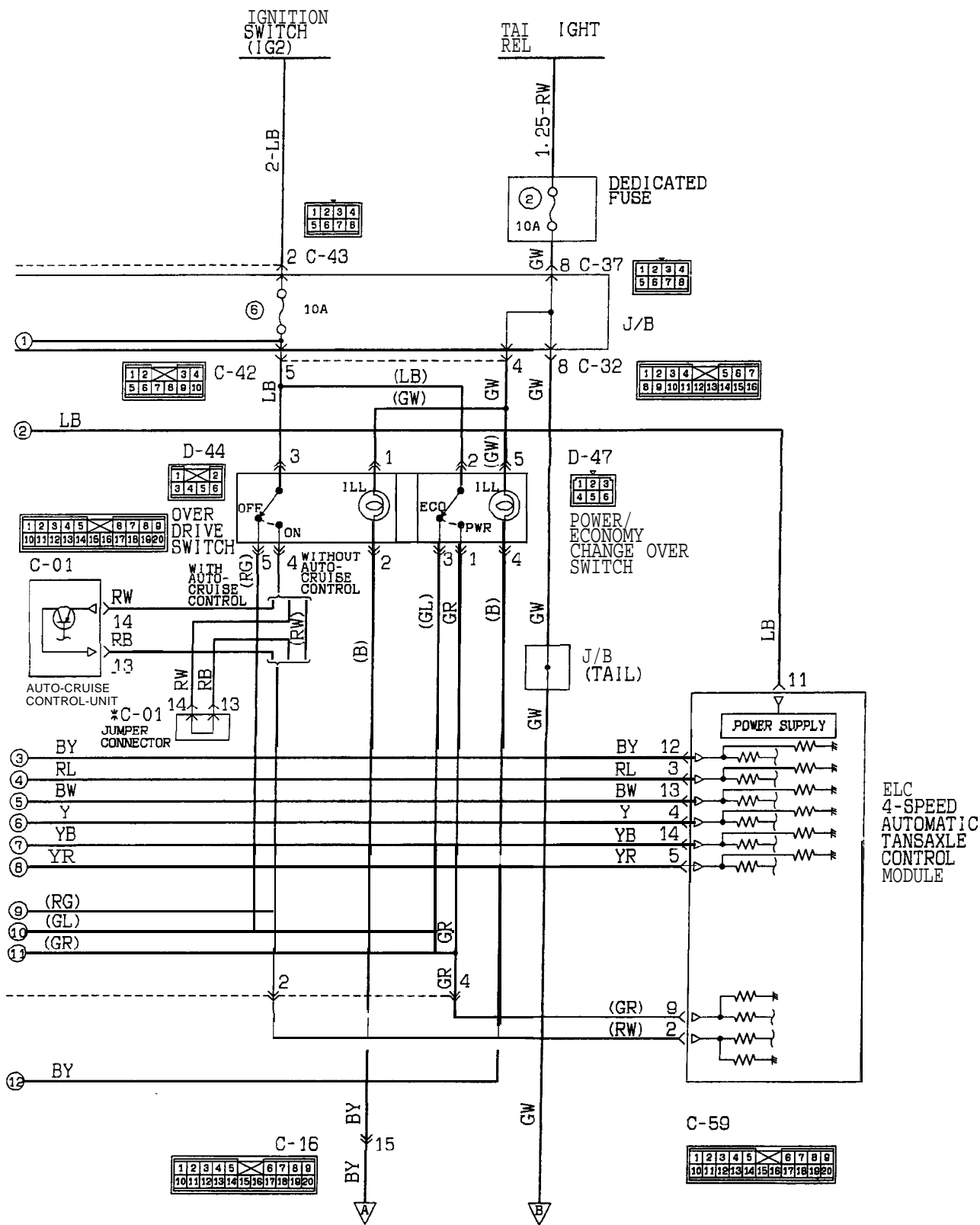


ELC 4-SPEED AUTOMATIC TRANSAXLE CIRCUIT (1990 MODELS)



X35-AC-H0708-NM

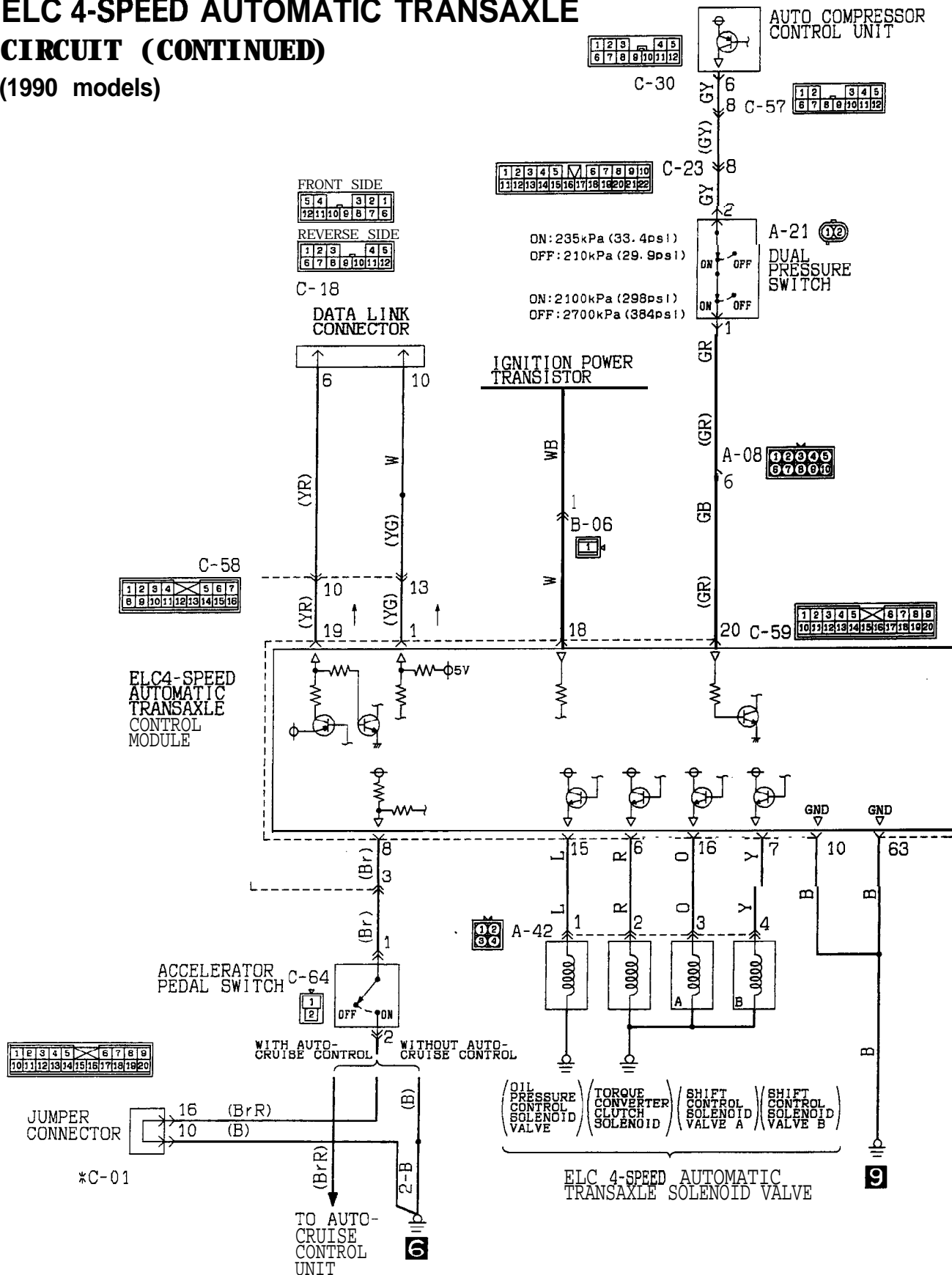
TSB Revision

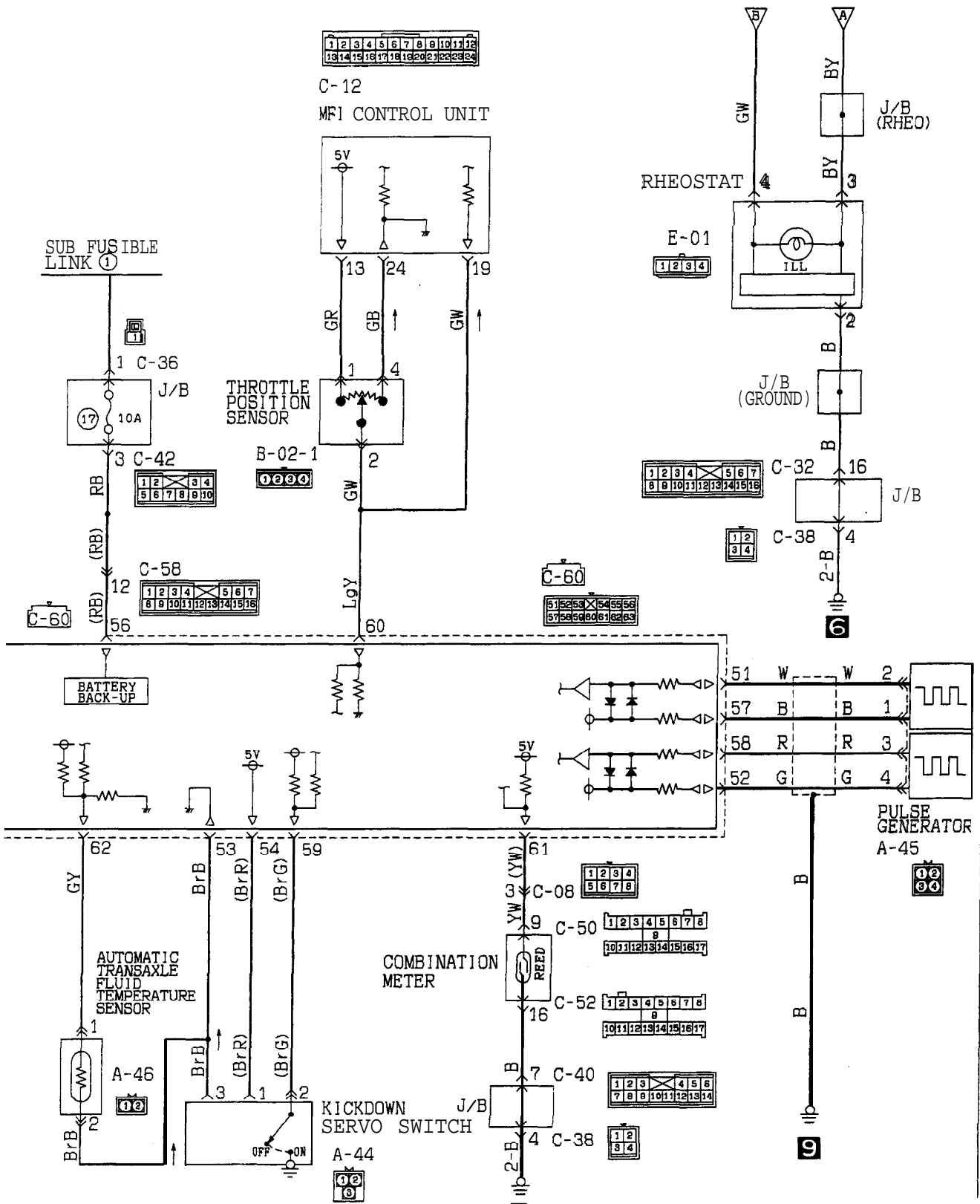


REMARK
*MARK INDICATES THE OPTIONAL WIRING HARNESS FOR AUTO-CRUISE CONTROL SYSTEM.

ELC 4-SPEED AUTOMATIC TRANSAXLE CIRCUIT (CONTINUED)

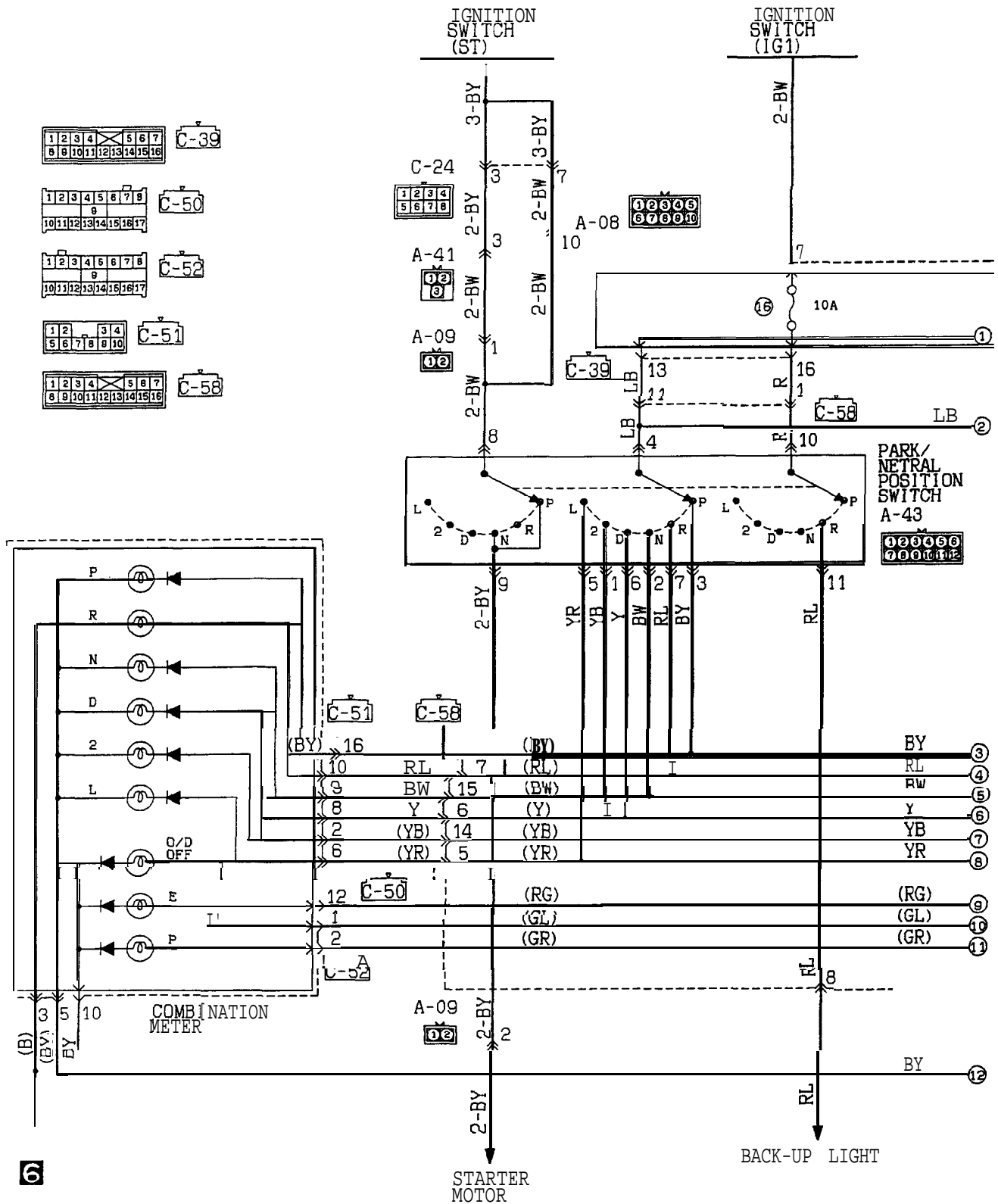
(1990 models)



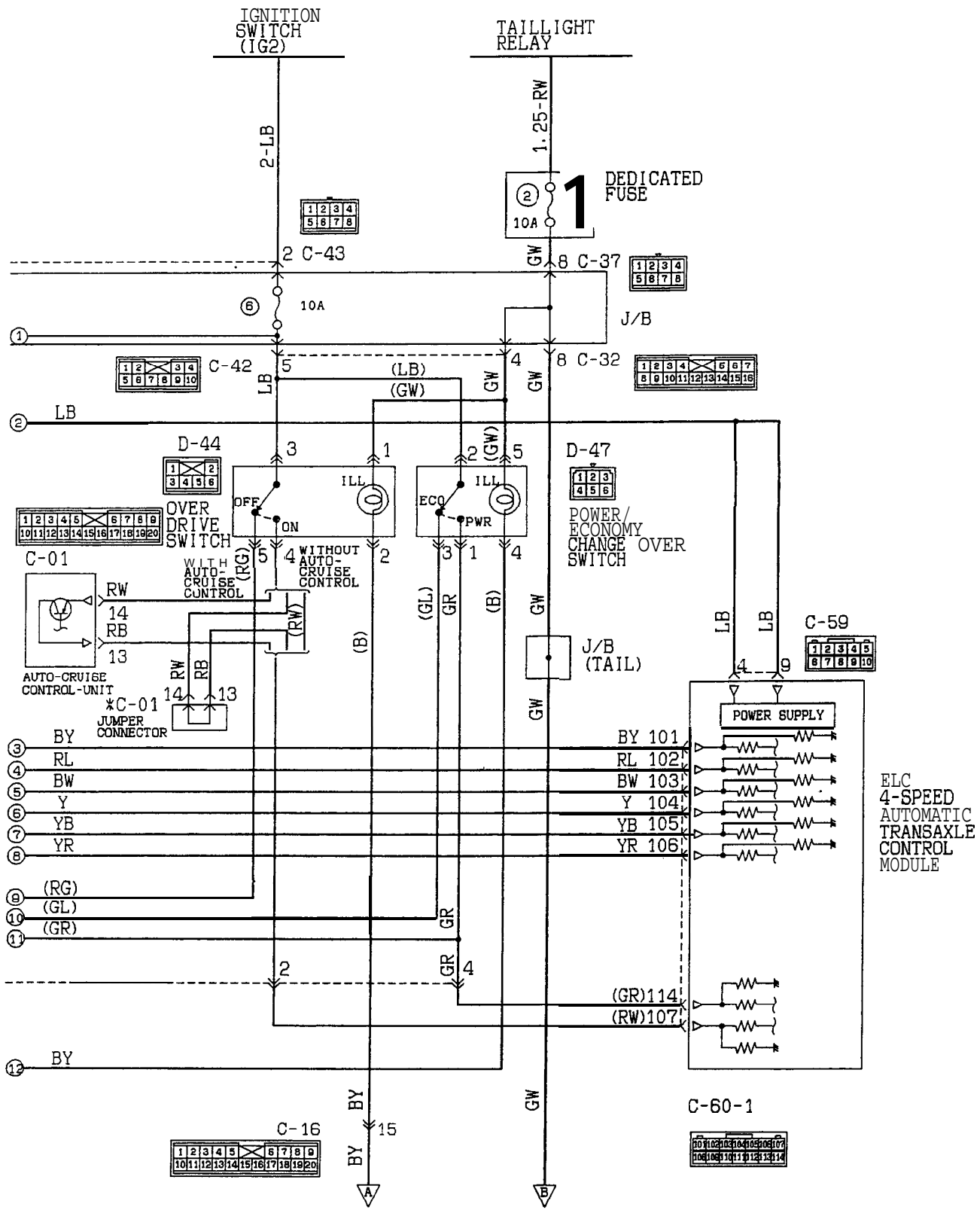


REMARK
 *MARK INDICATES THE OPTIONAL WIRING HARNESS FOR AUTO-CRUISE CONTROL SYSTEM.

ELC 4-SPEED AUTOMATIC TRANSAXLE CIRCUIT (1990.5 models)



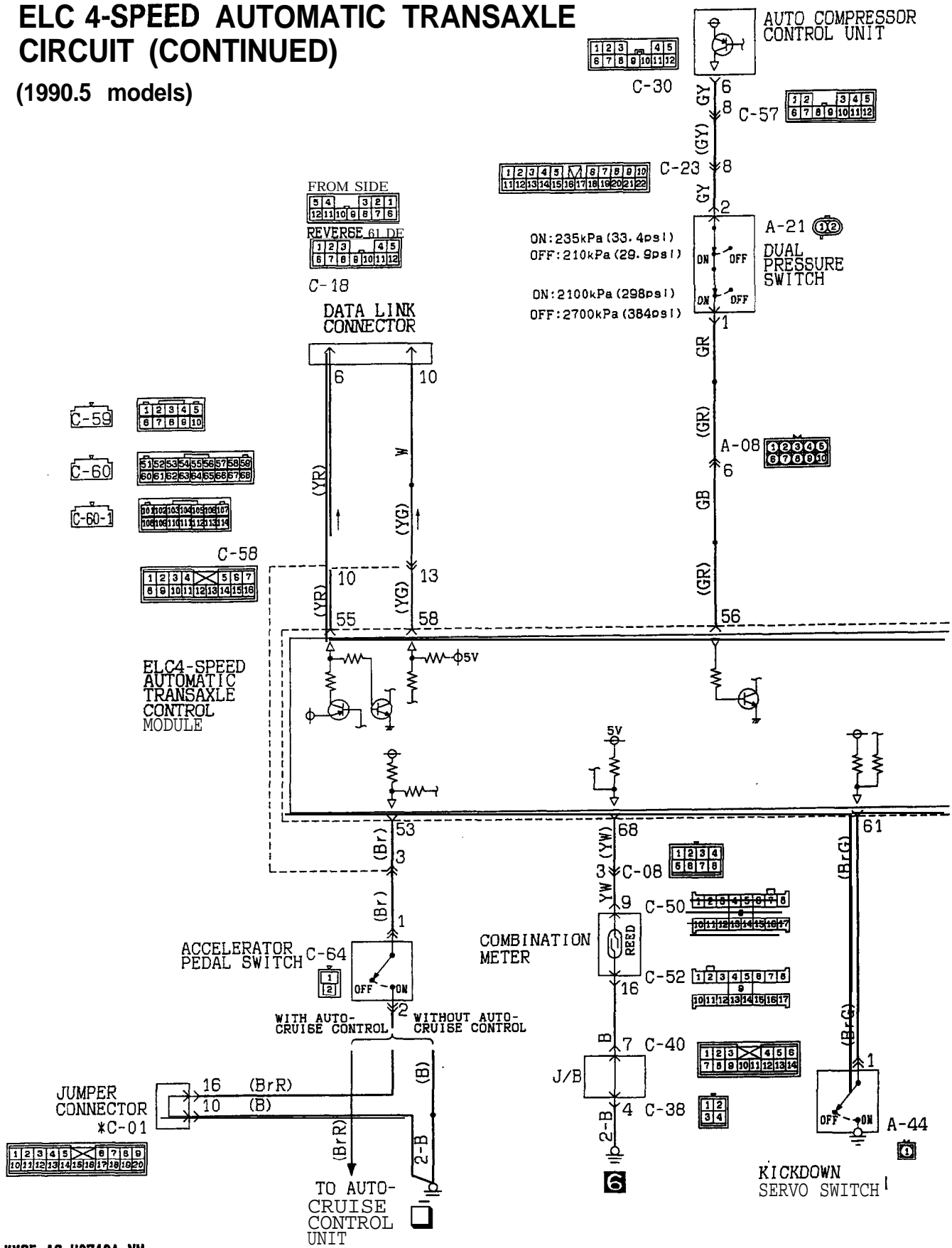
K35-AC-H0710-NM

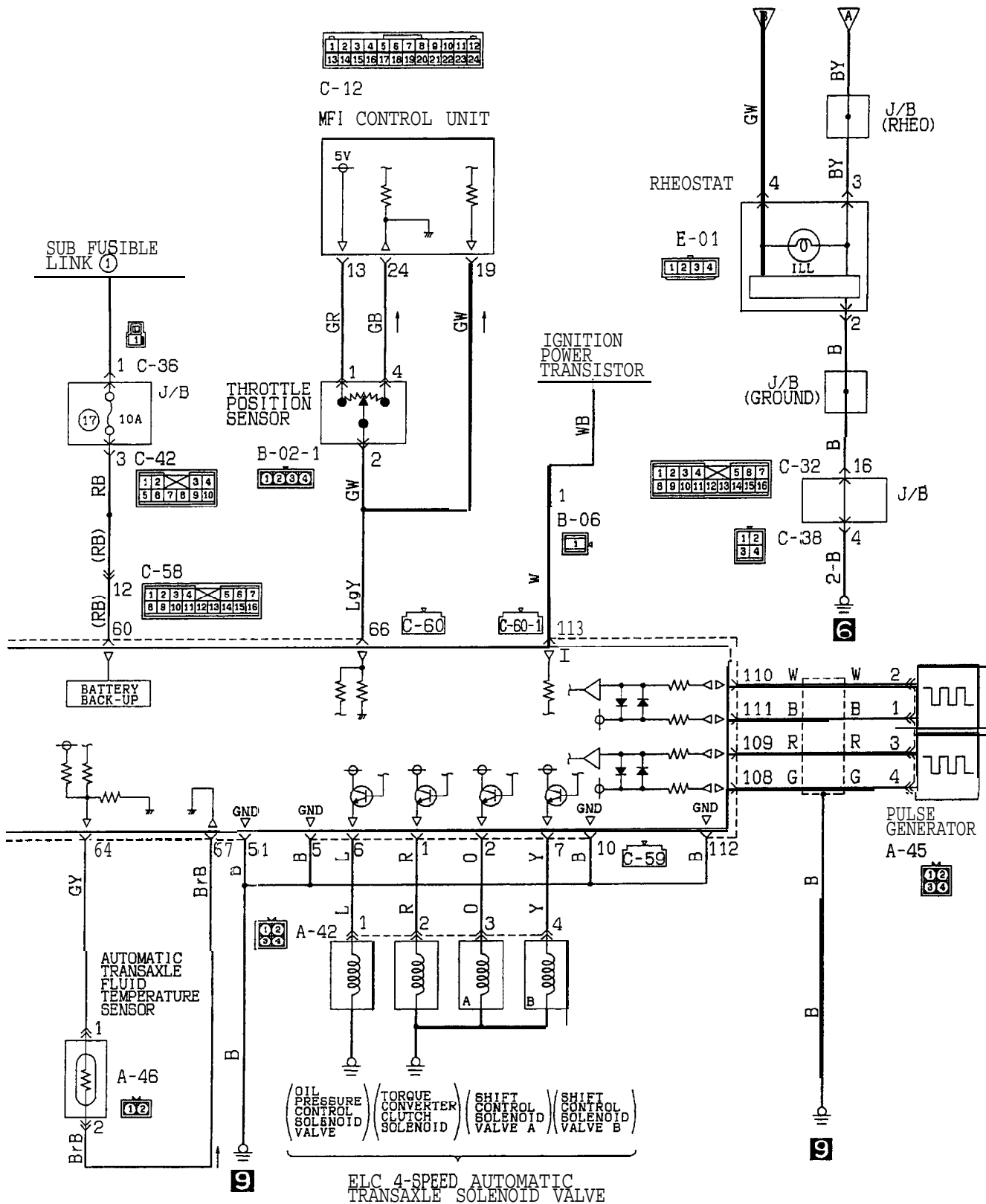


REMARK
 *MARK INDICATES THE OPTIONAL WIRING HARNESS FOR AUTO-CRUISE CONTROL SYSTEM.

ELC 4-SPEED AUTOMATIC TRANSAXLE CIRCUIT (CONTINUED)

(1990.5 models)

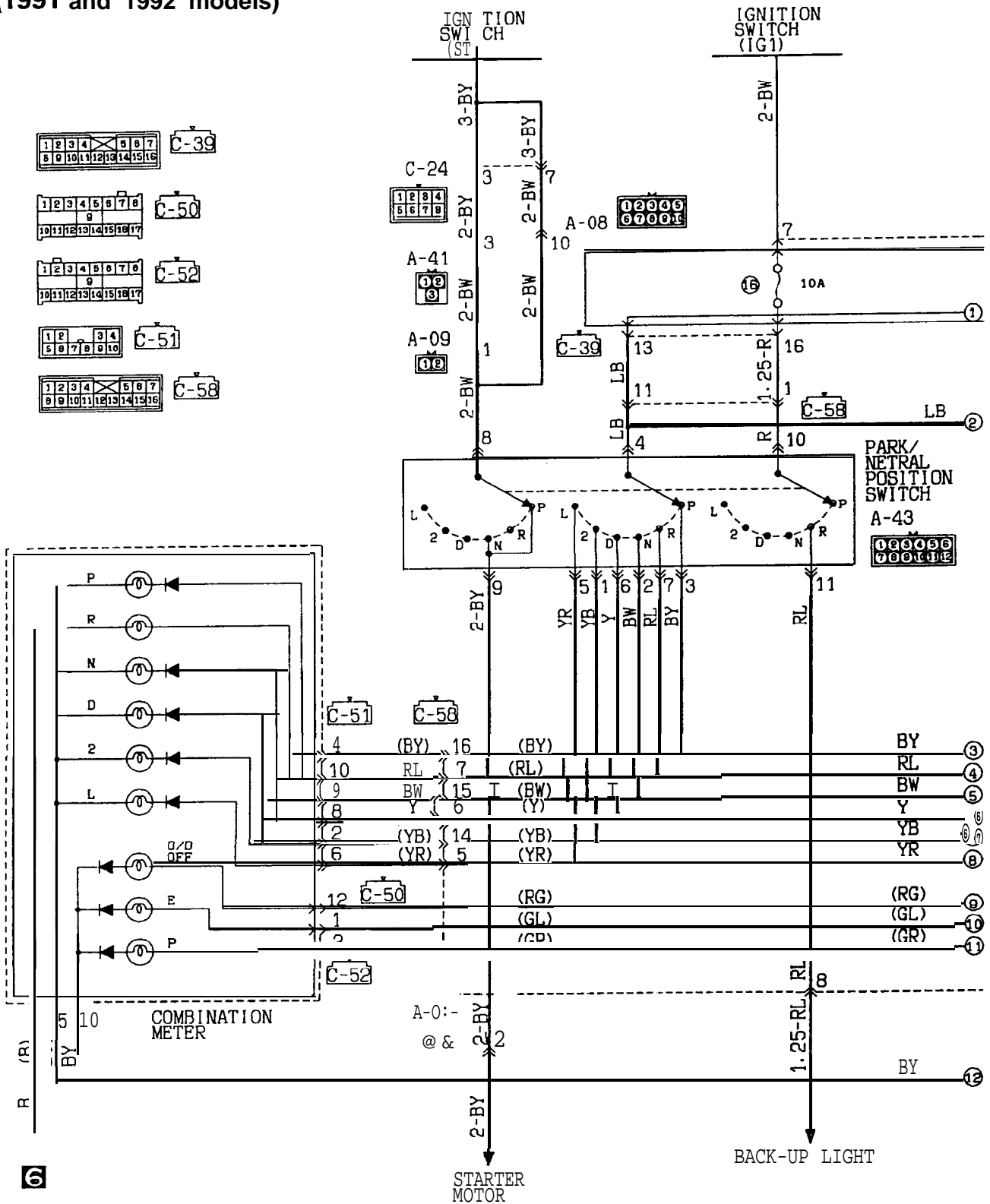


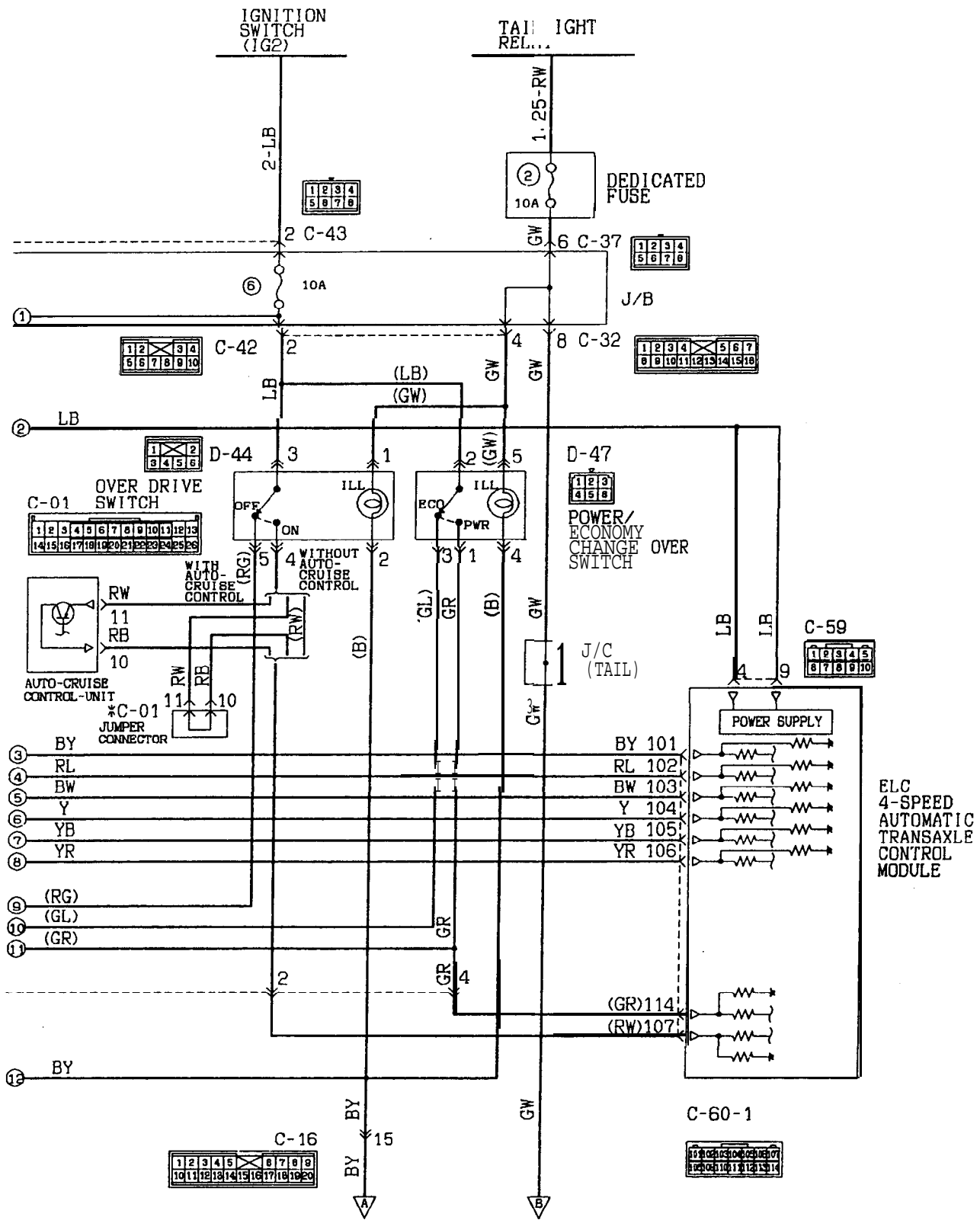


REMARK
 *MARK INDICATES THE OPTIONAL WIRING HARNESS FOR AUTO-CRUISE CONTROL SYSTEM.

ELC 4-SPEED AUTOMATIC TRANSAXLE CIRCUIT

(1991 and 1992 models)

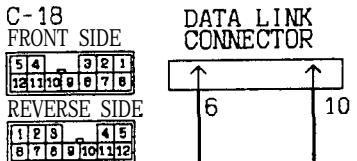
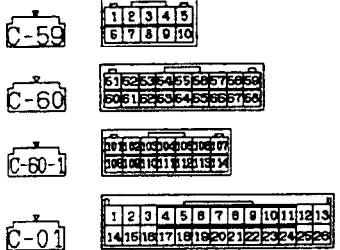




Remark
*mark indicates the optional wiring harness for AUTO-CRUISE CONTROL SYSTEM.

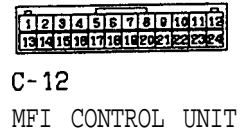
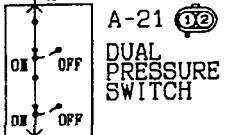
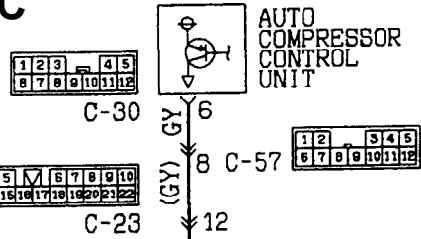
ELC 4-SPEED AUTOMATIC TRANSAXLE CIRCUIT (CONTINUED)

(1991 and 1992 models)

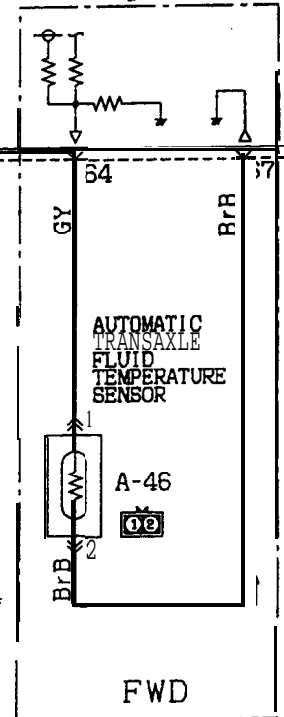
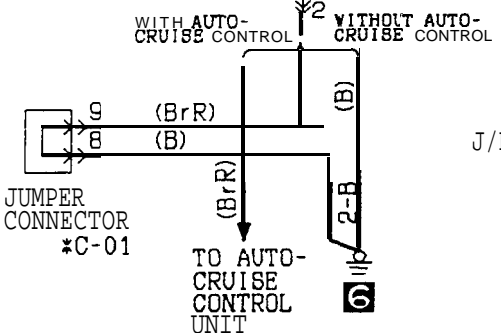
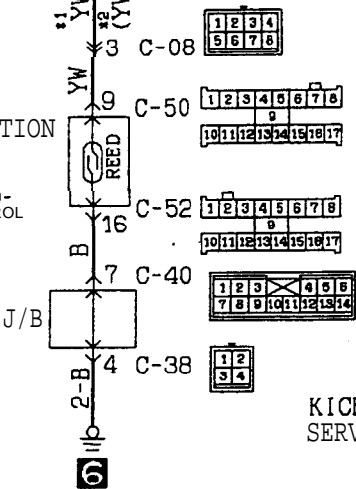
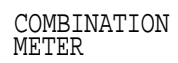
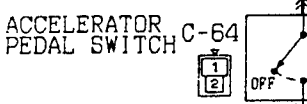
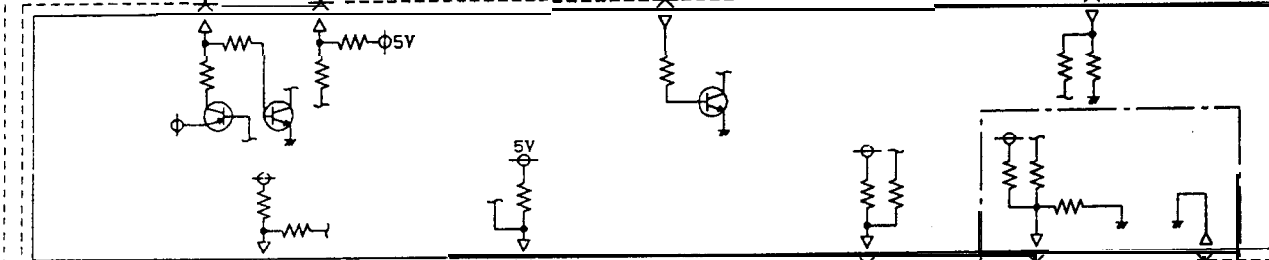
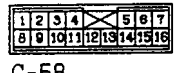
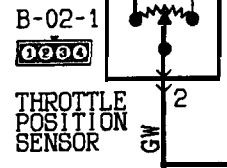
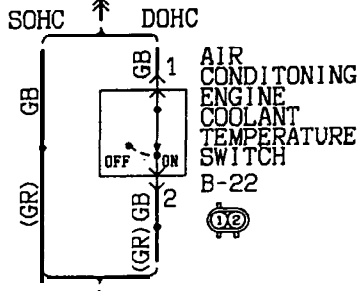
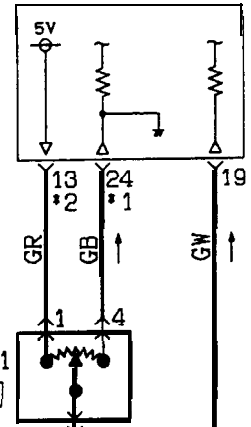


ELC-4SPEED AUTOMATIC TRANSAXLE CONTROL MODULE

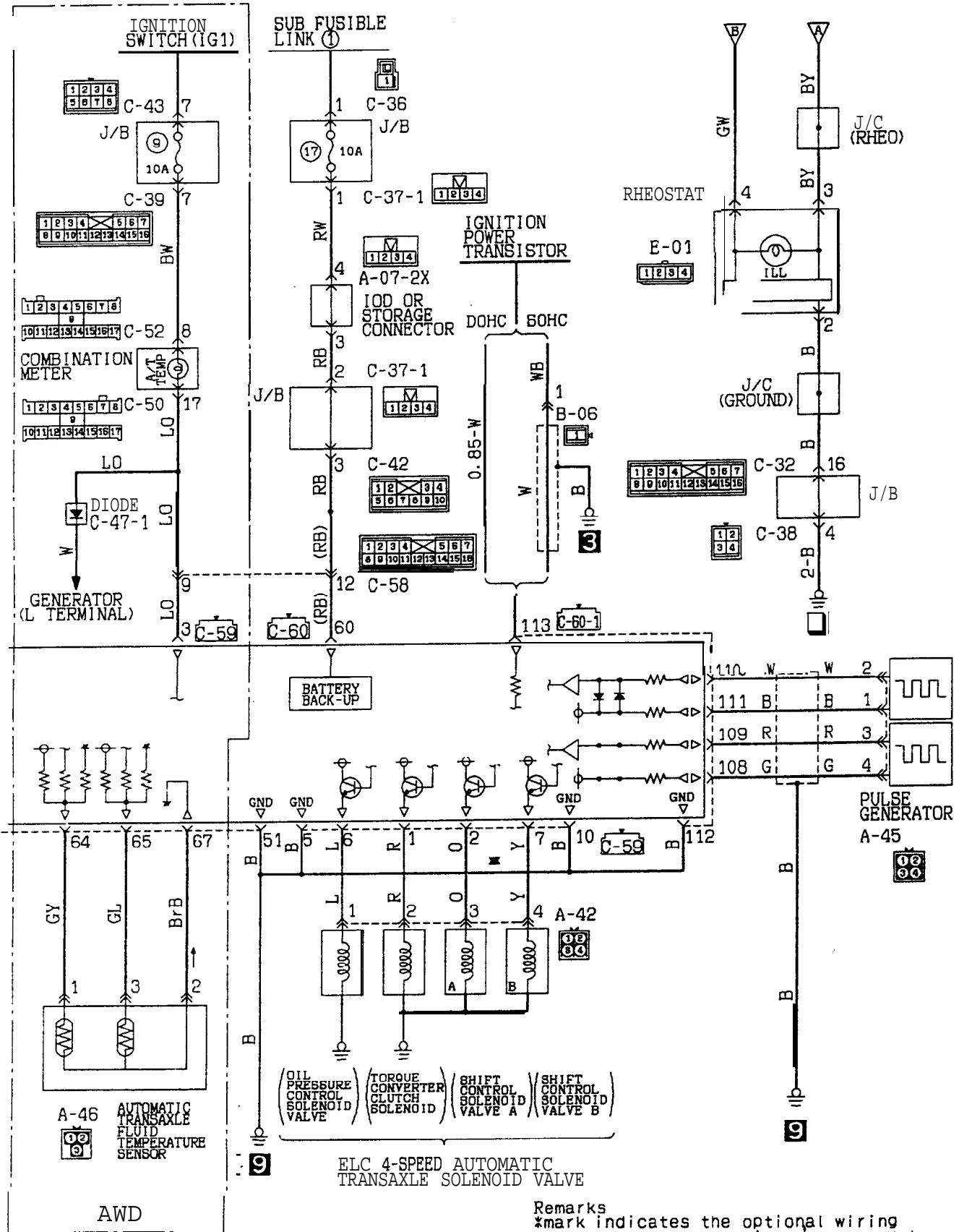
ON: 235kPa (33.4psi)
 OFF: 210kPa (29.8psi)
 ON: 2100kPa (298psi)
 OFF: 2700kPa (384psi)



MFI CONTROL UNIT

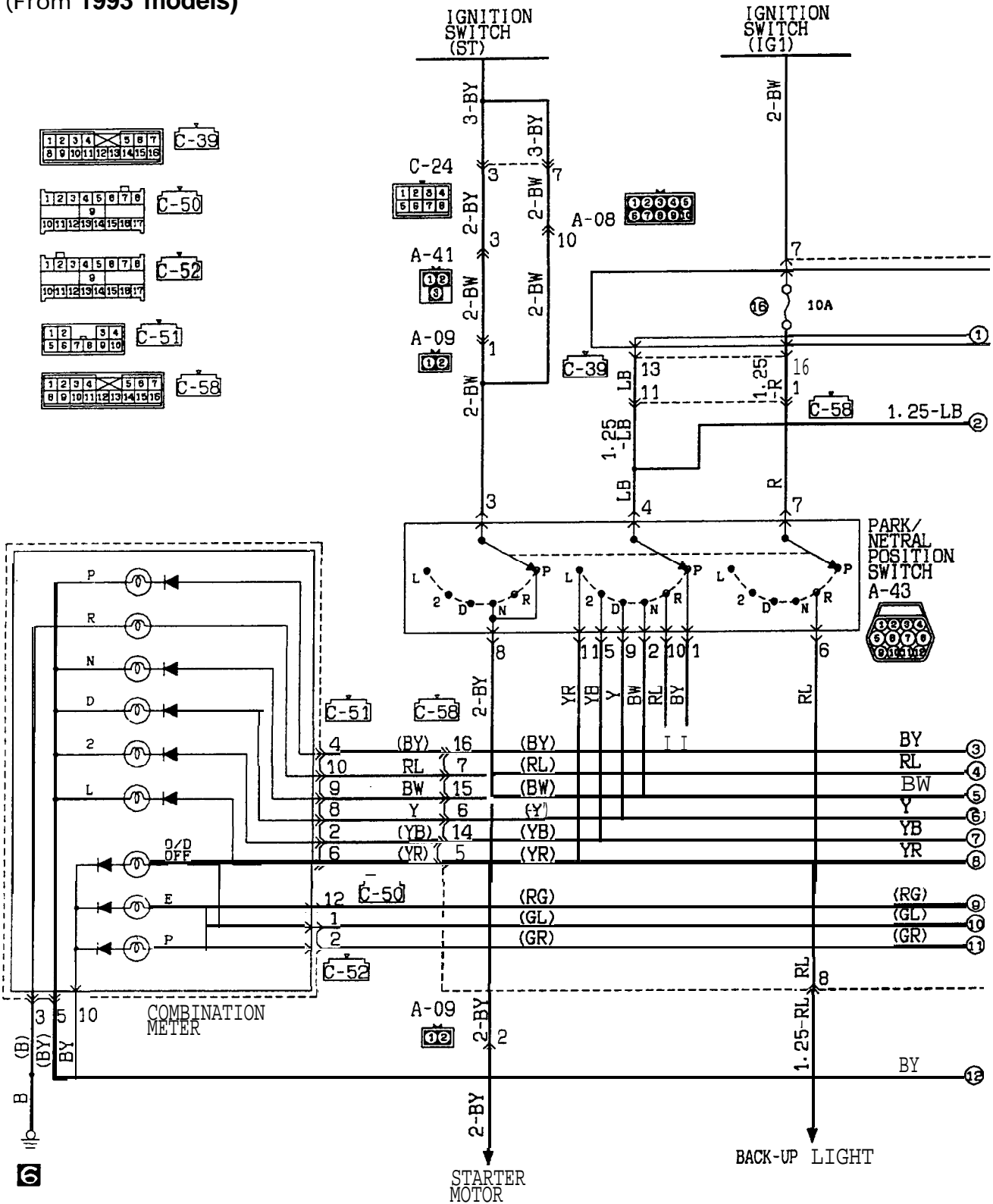


XX35-AC-H0714A-NM

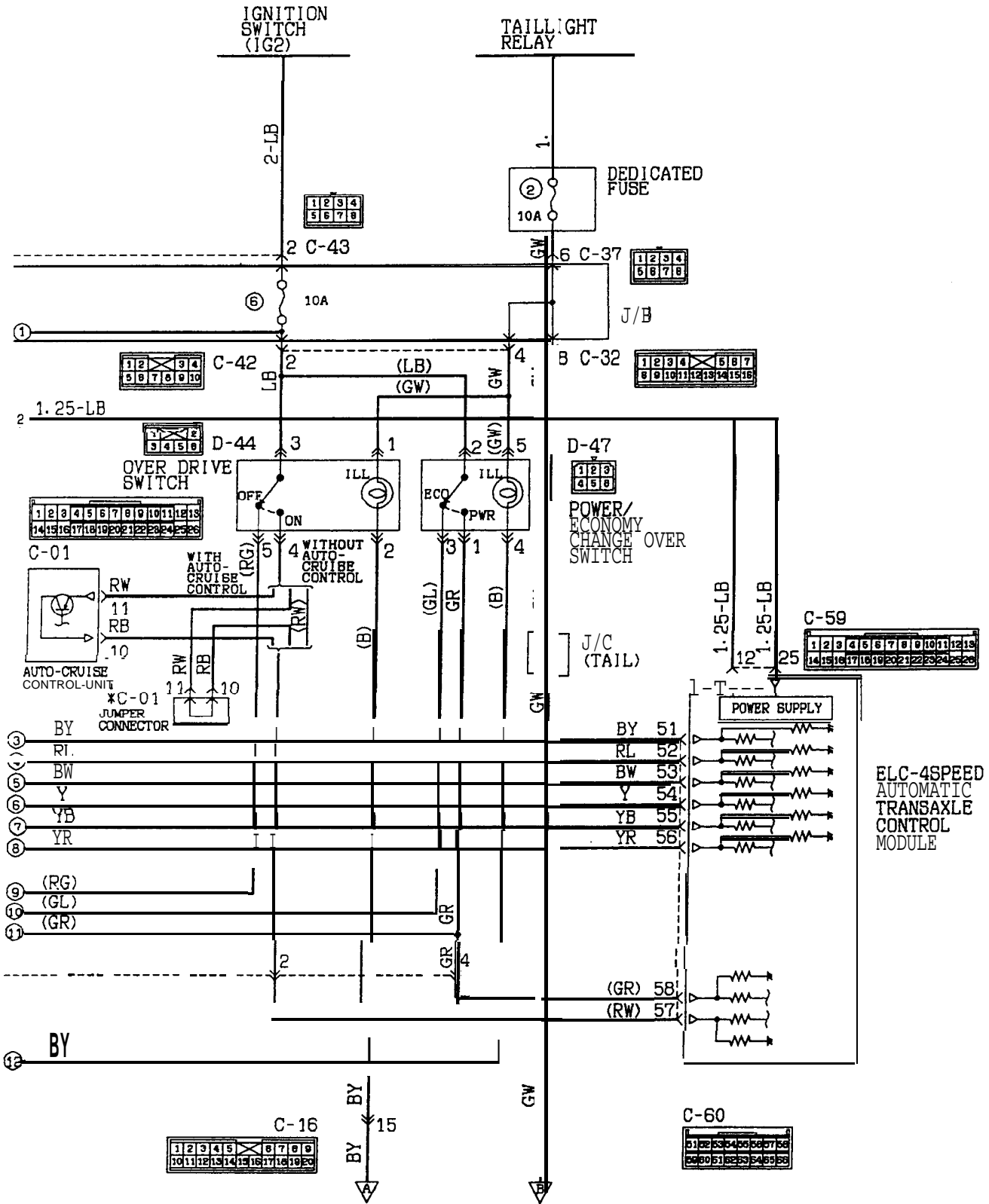


ELC 4-SPEED AUTOMATIC TRANSAXLE CIRCUIT

(From 1993 models)



KX35-AC-H0715-NM

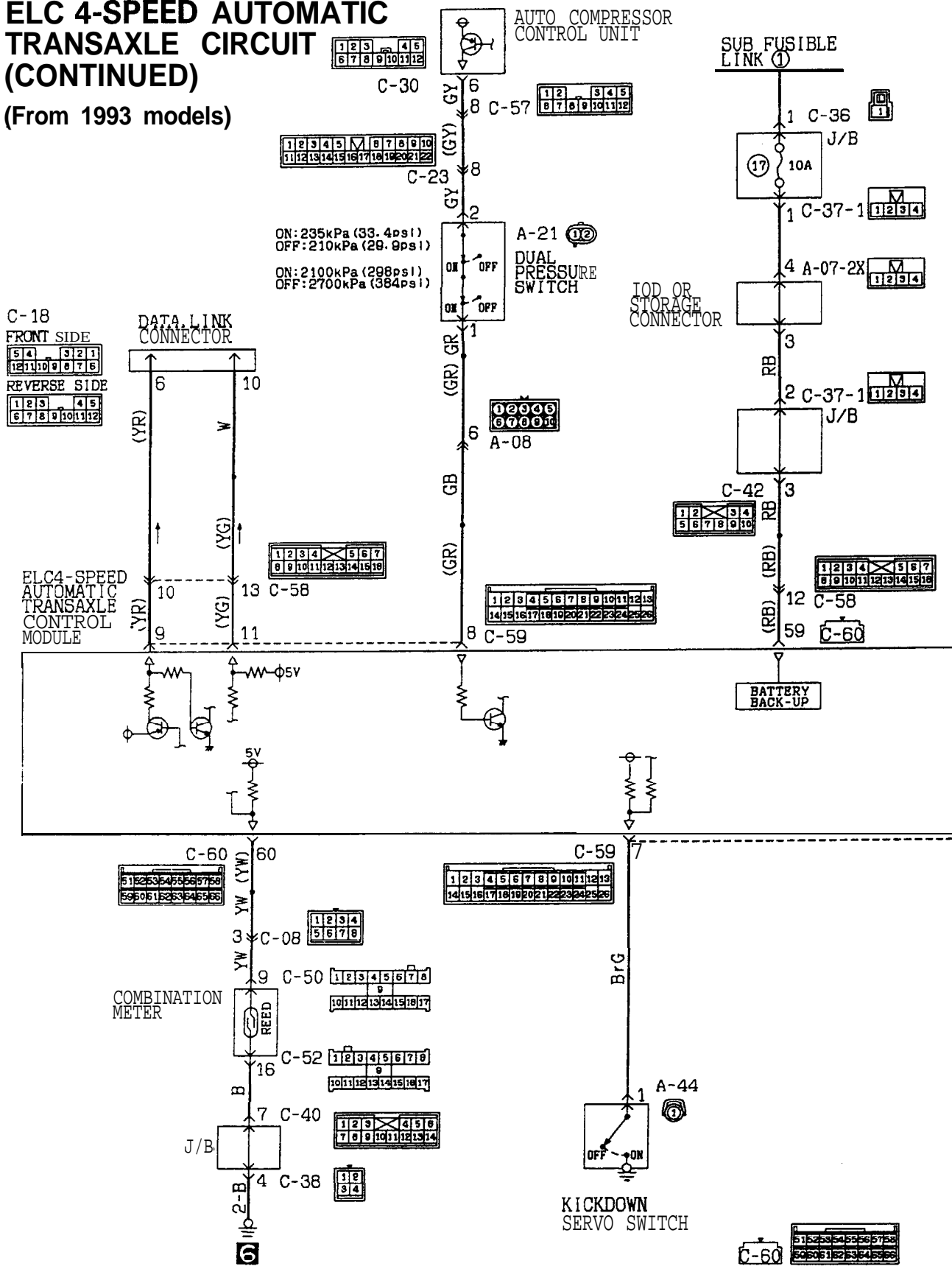


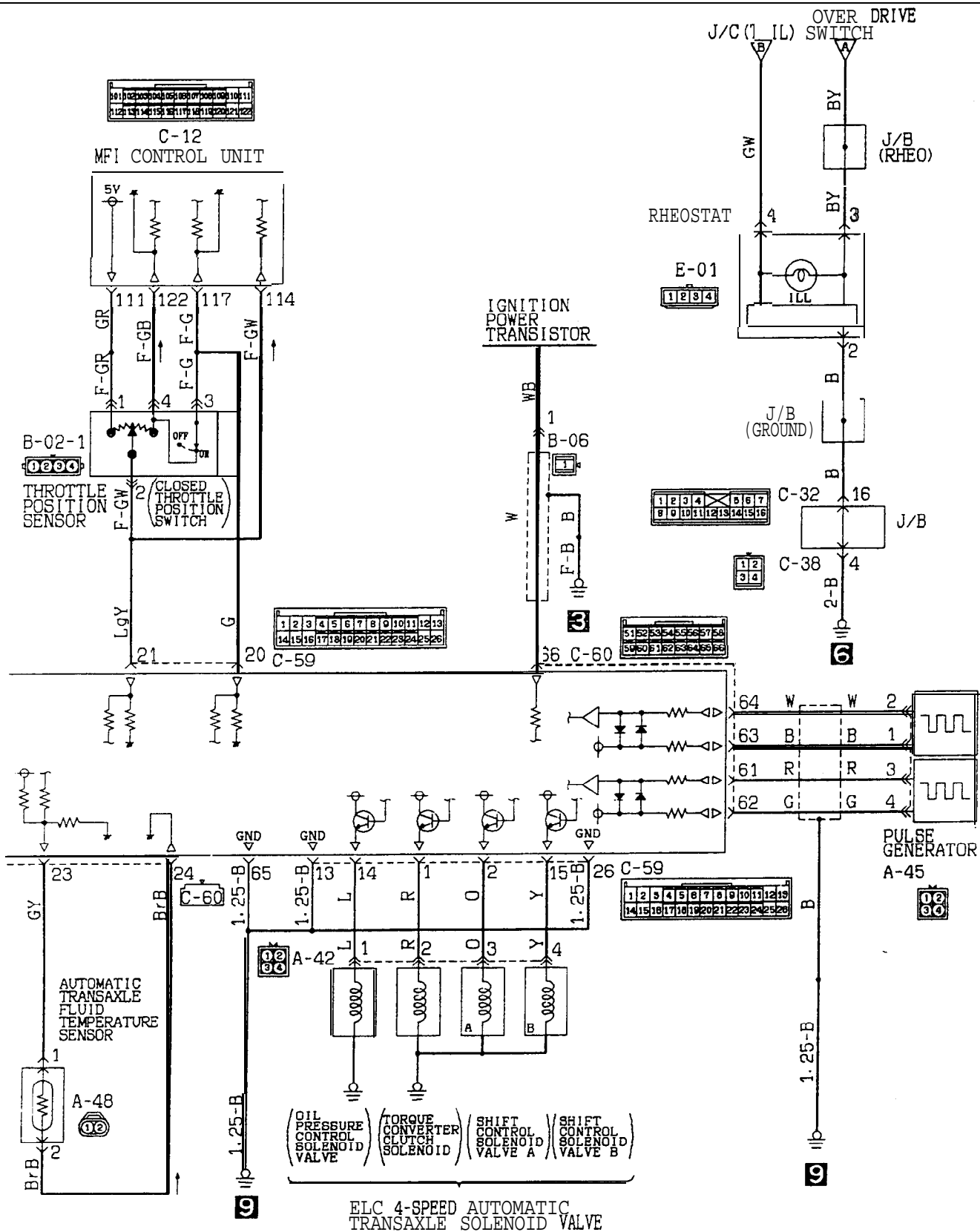
Remark
*mark indicates the optional wiring harness for auto cruise control system

TSB Revision

ELC 4-SPEED AUTOMATIC TRANSAXLE CIRCUIT (CONTINUED)

(From 1993 models)



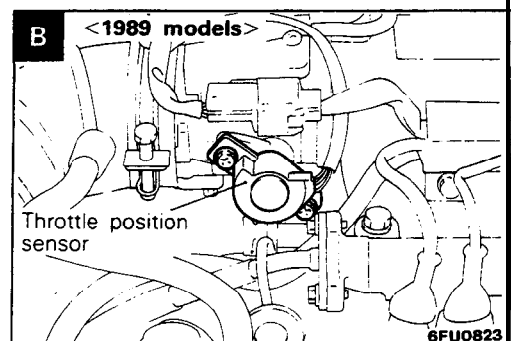
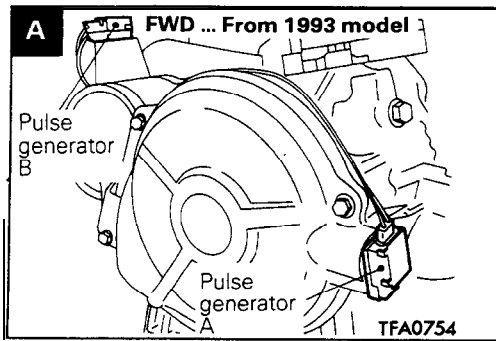
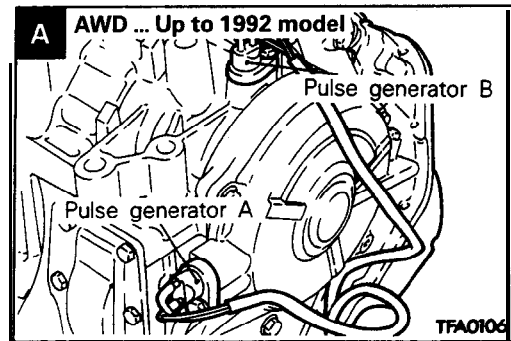
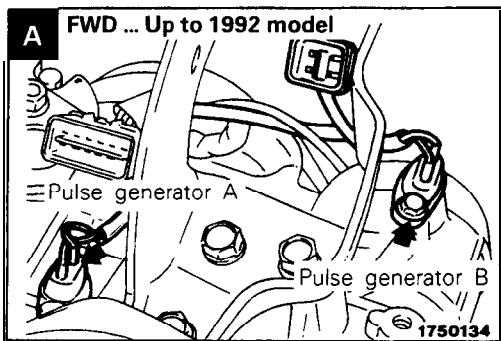
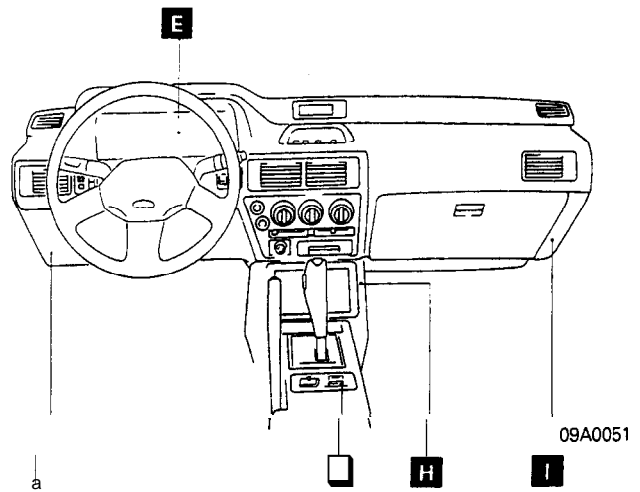
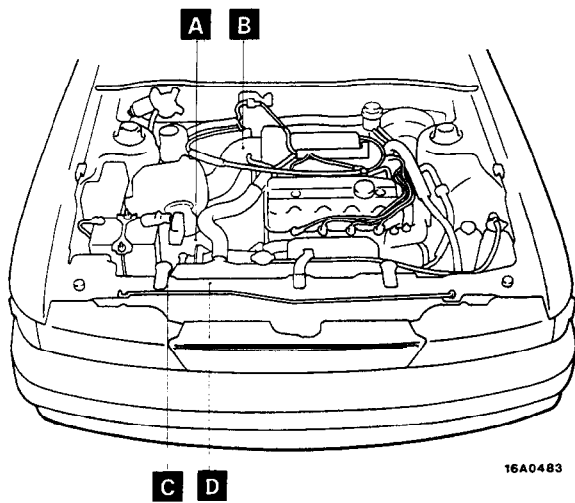


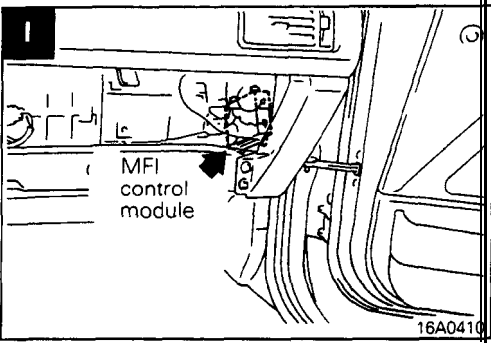
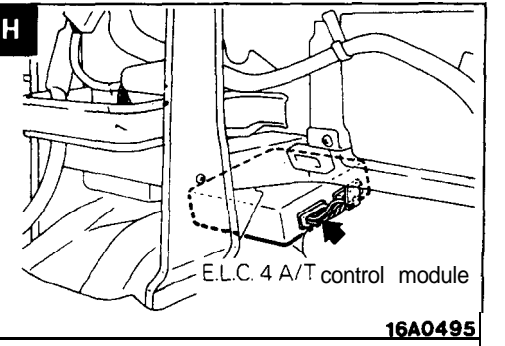
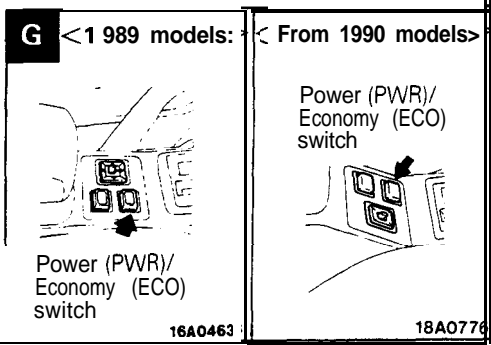
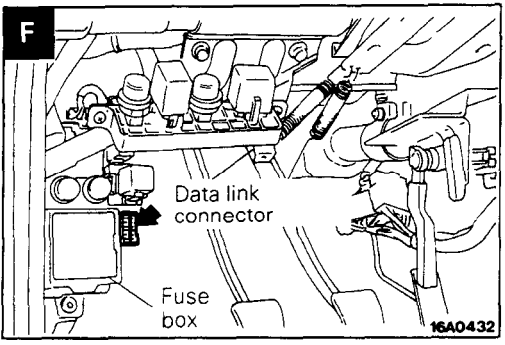
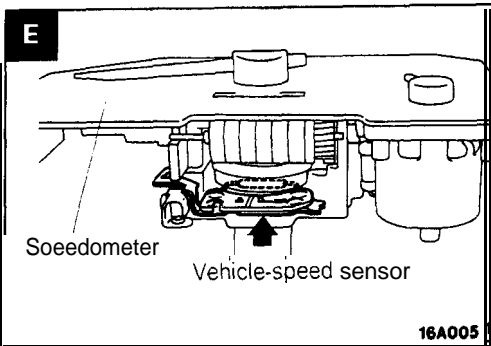
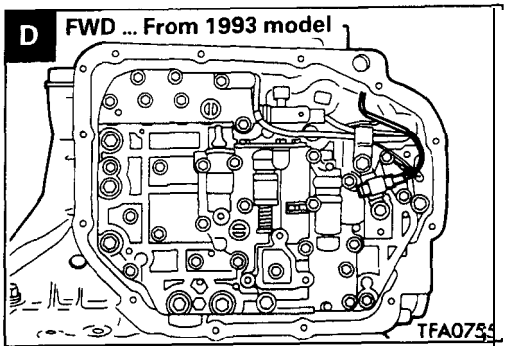
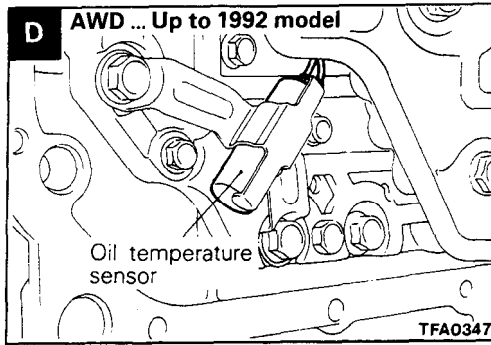
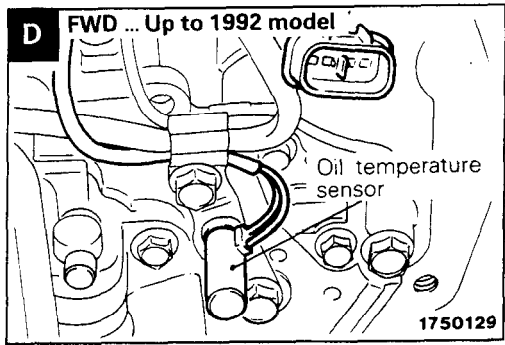
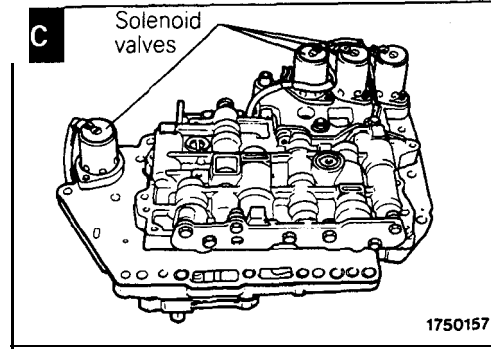
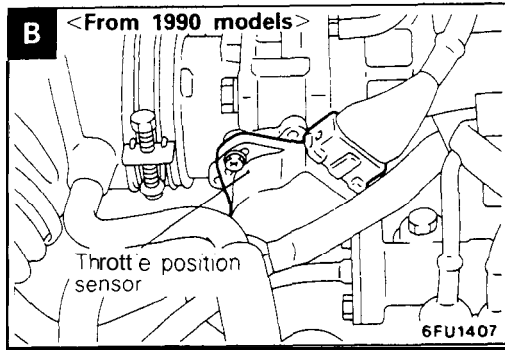
COMPONENT LOCATION

Name	Symbol	Name	Symbol
Data link connector	F	Pulse generator A	A
4 A/T control module	H	Pulse generator B	A
MFI control module	I	Solenoid valve	C
Oil temperature sensor	D	Throttle position sensor	B
Power (PWR)/Economy (ECO) switch	G	Vehicle-speed sensor	E

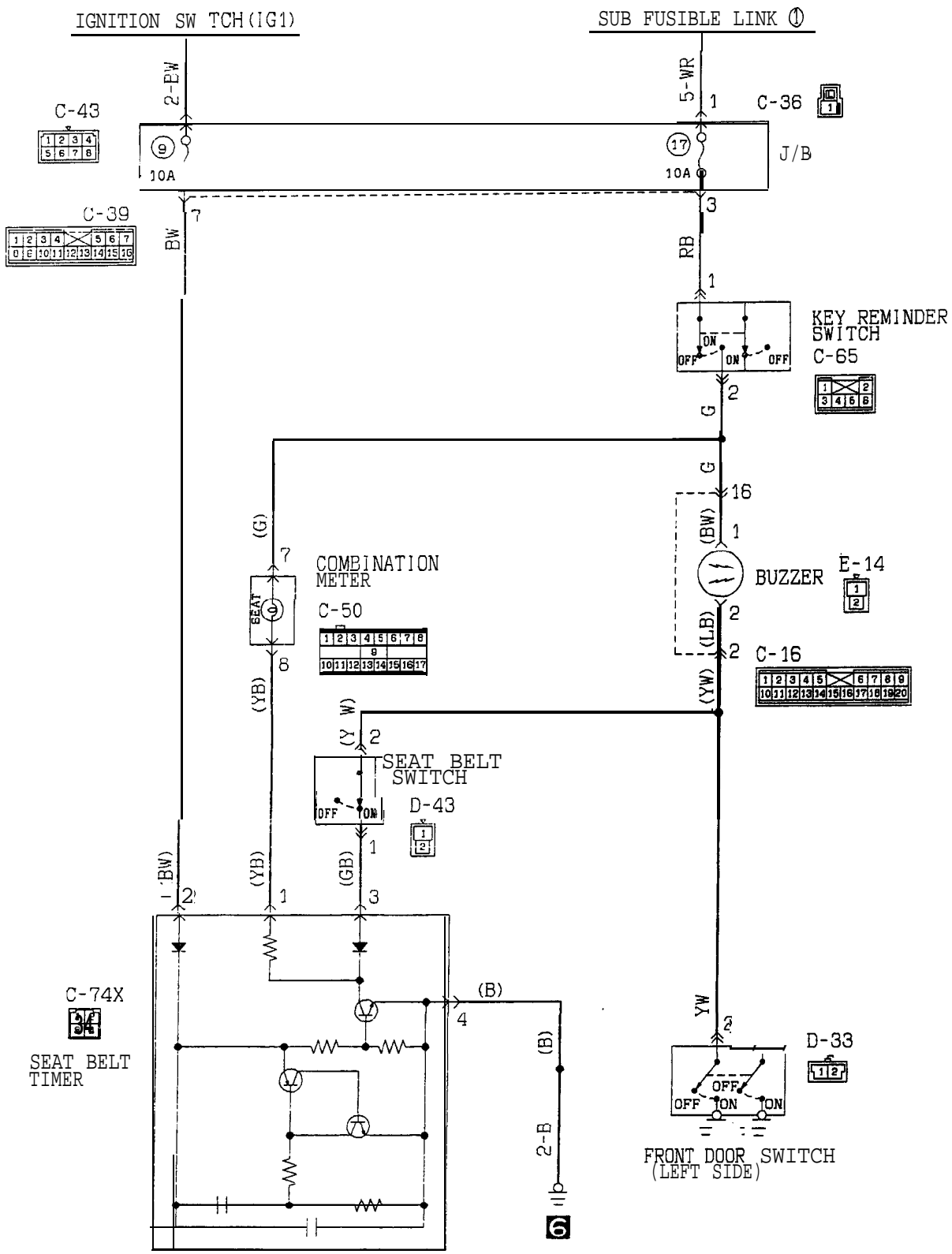
NOTE

The "Name" column is arranged in alphabetical order.
C and D are built into the transaxle. <From 1991 models>



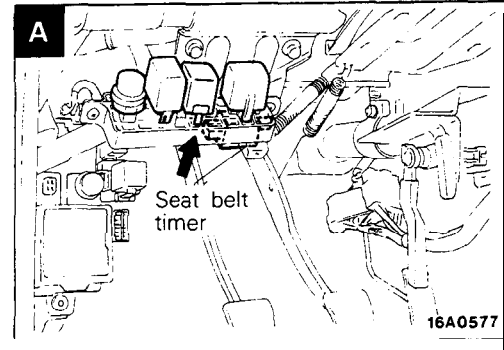
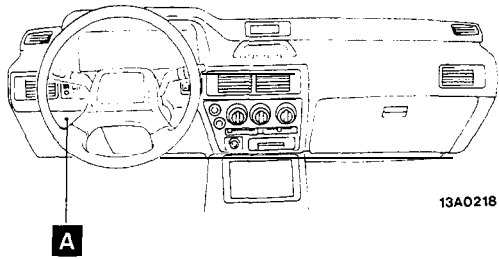


BUZZER CIRCUIT (1989 MODELS)

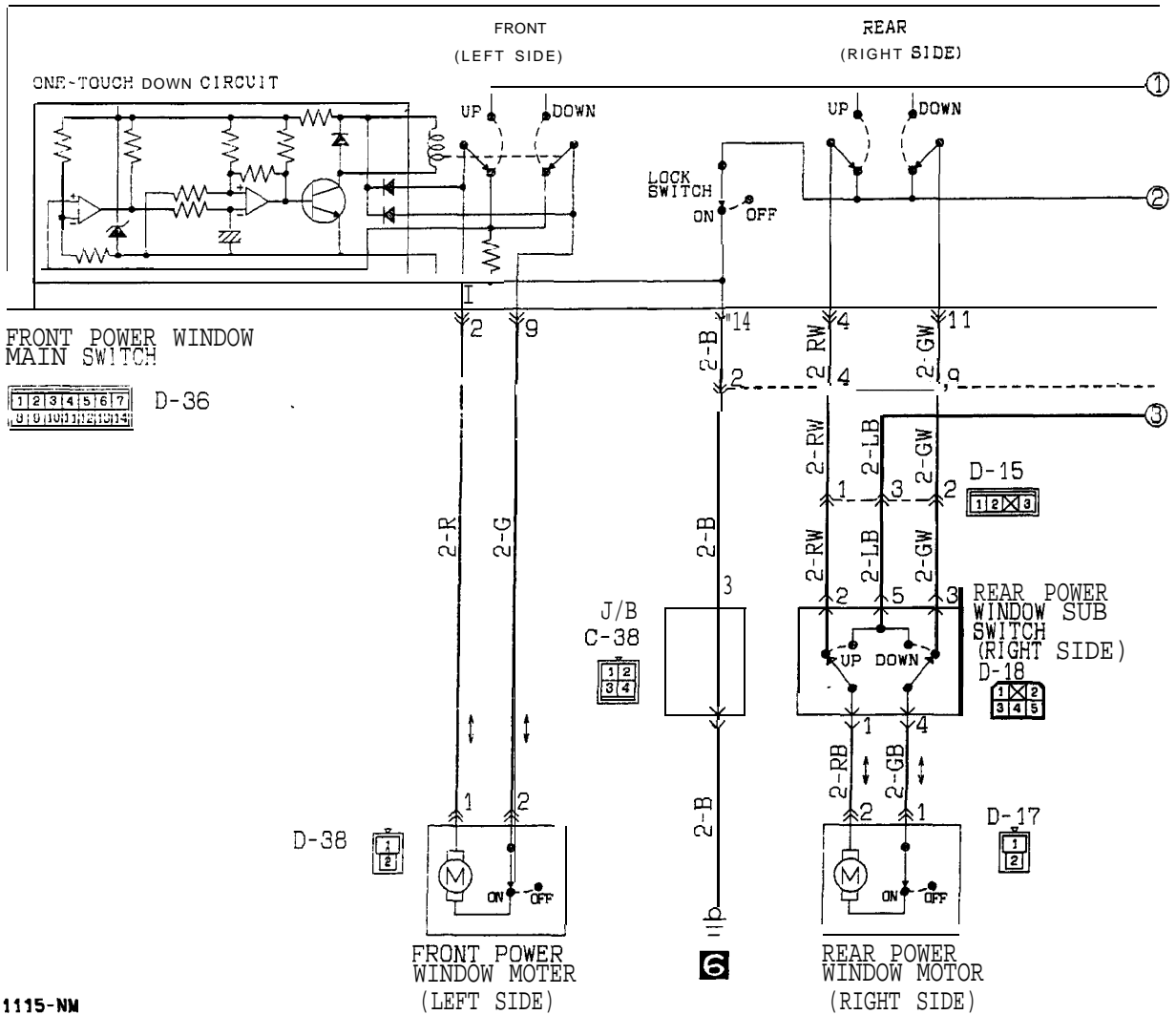


COMPONENT LOCATION

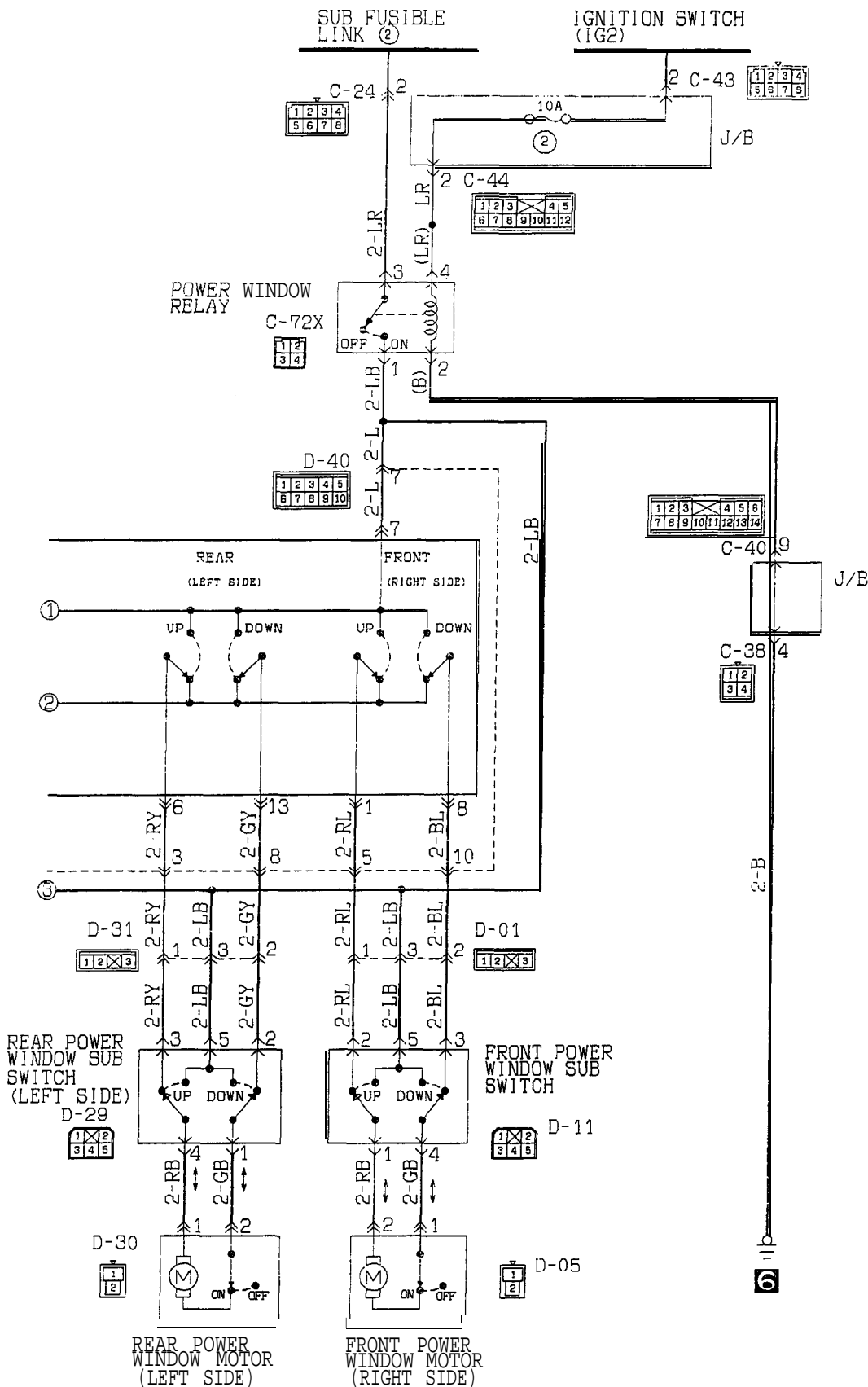
Name	Symbol
Seat belt timer	A



POWER WINDOW CIRCUIT
(Vehicles without ETACS (1989 models))

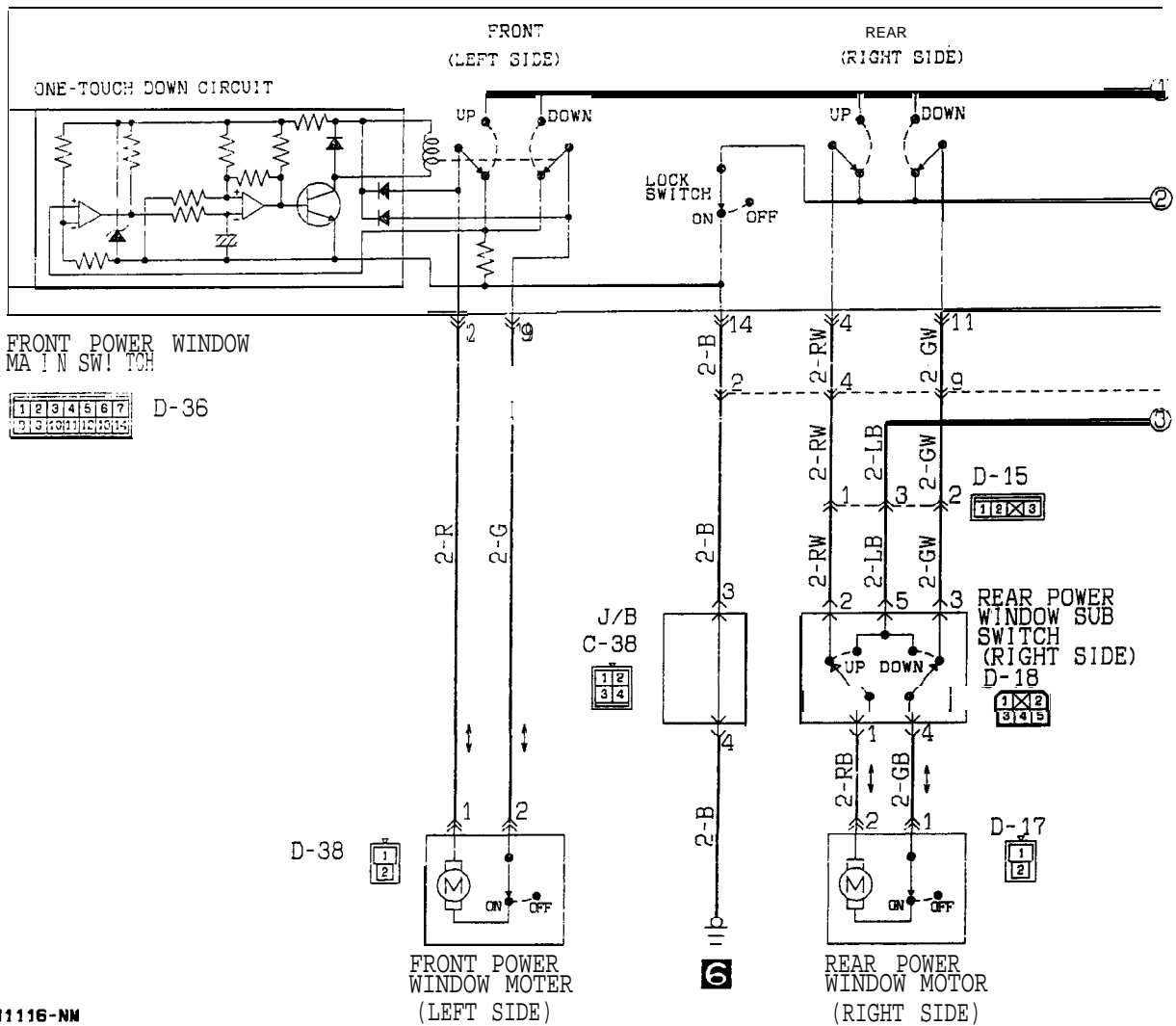


KX35-AC-H1115-NM

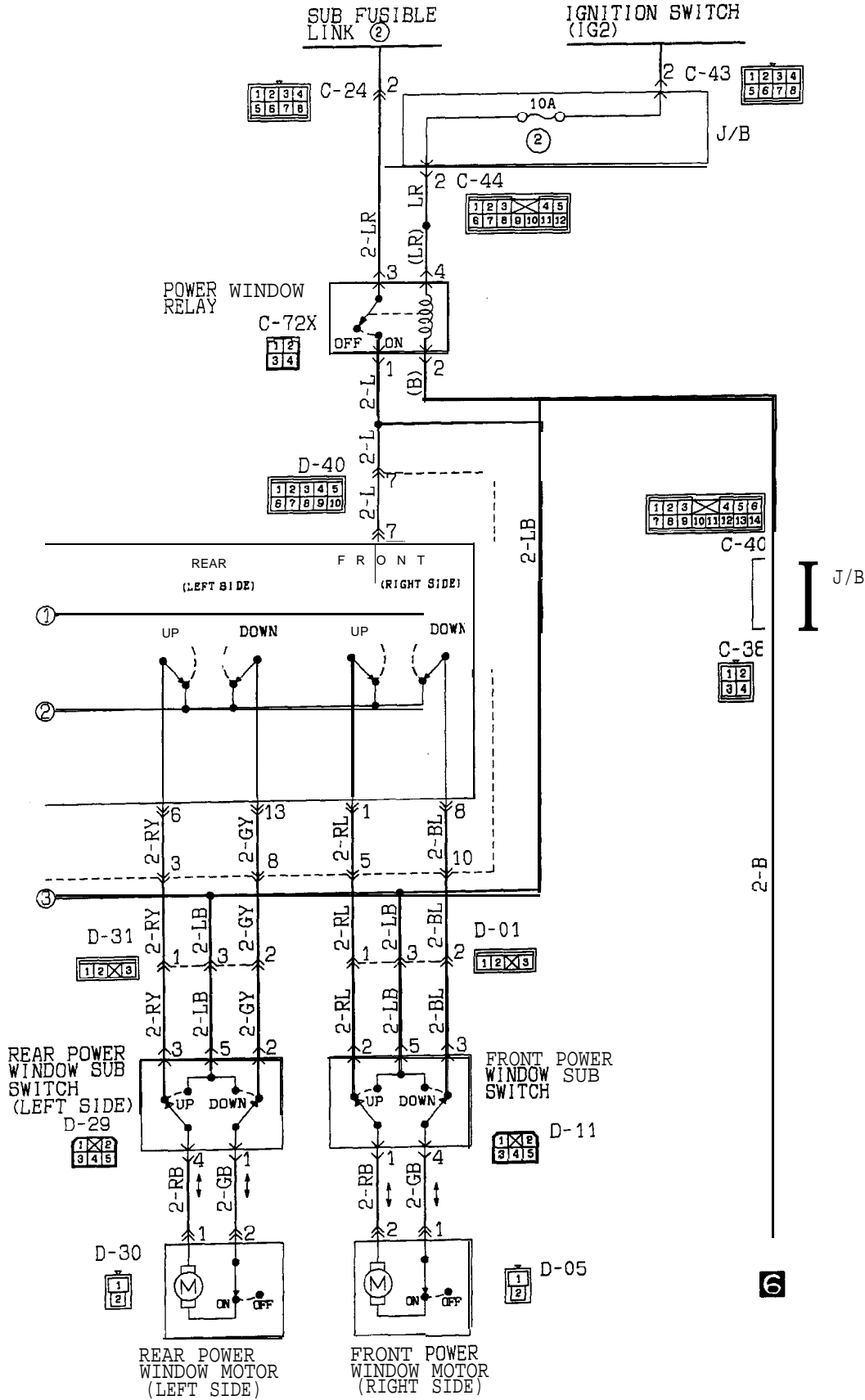


TSB Revision

POWER WINDOW CIRCUIT
 <Vehicles without ETACS (1990 models)>

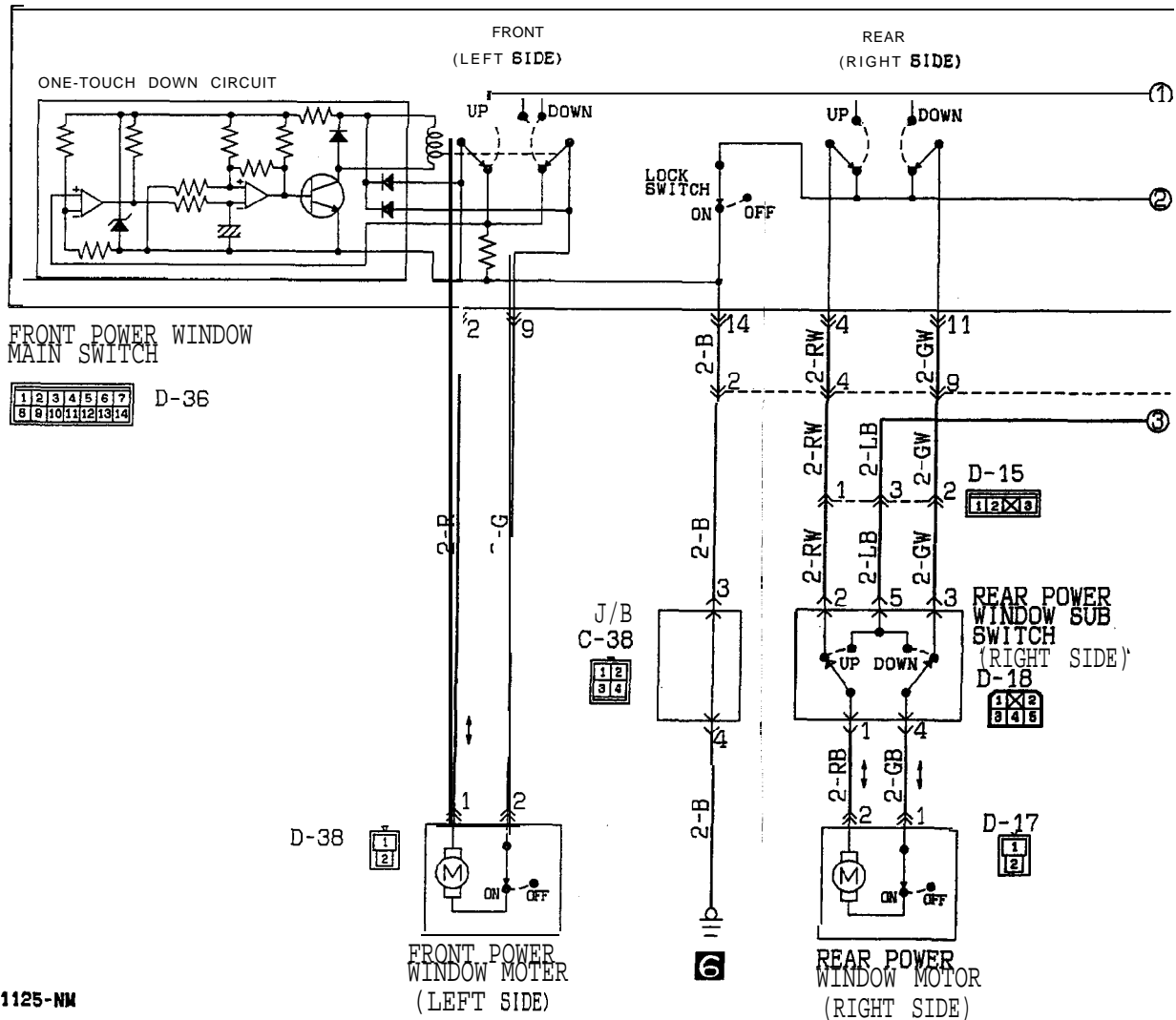


KX35-AC-H1116-NM



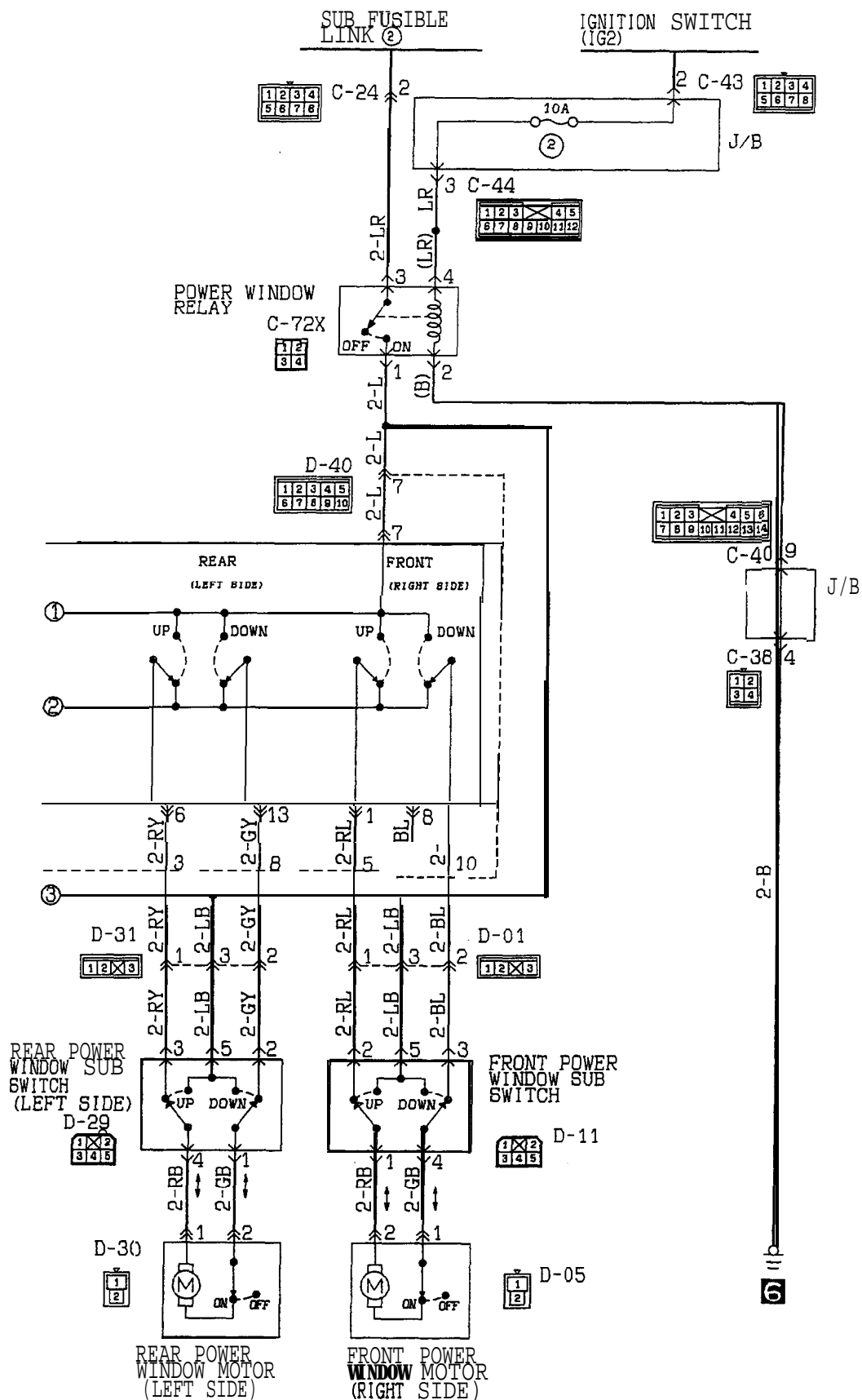
POWER WINDOW CIRCUIT

<Vehicles without ETACS (From 1991 models)>



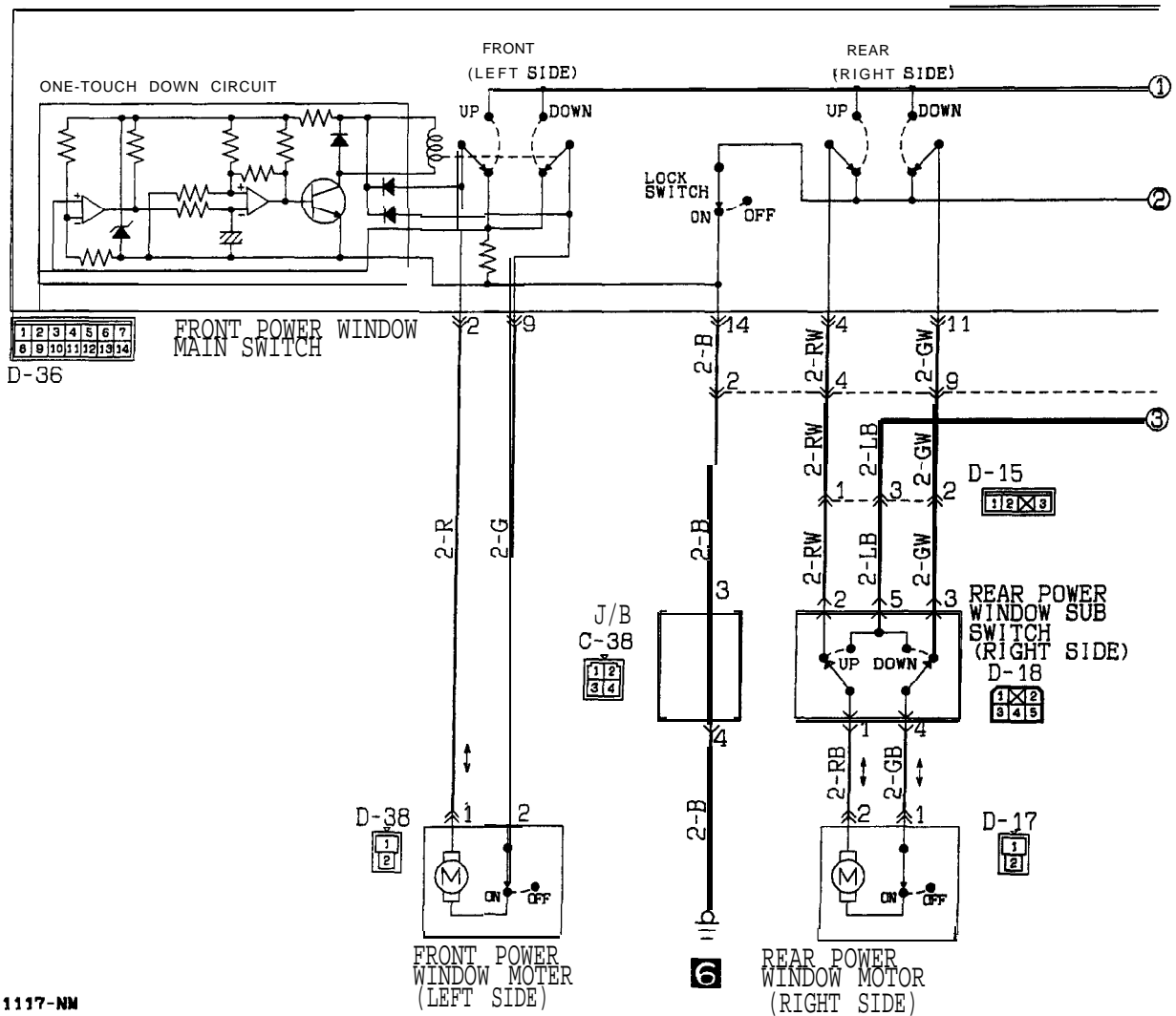
KX35-AC-H1125-NM

TSB Revision

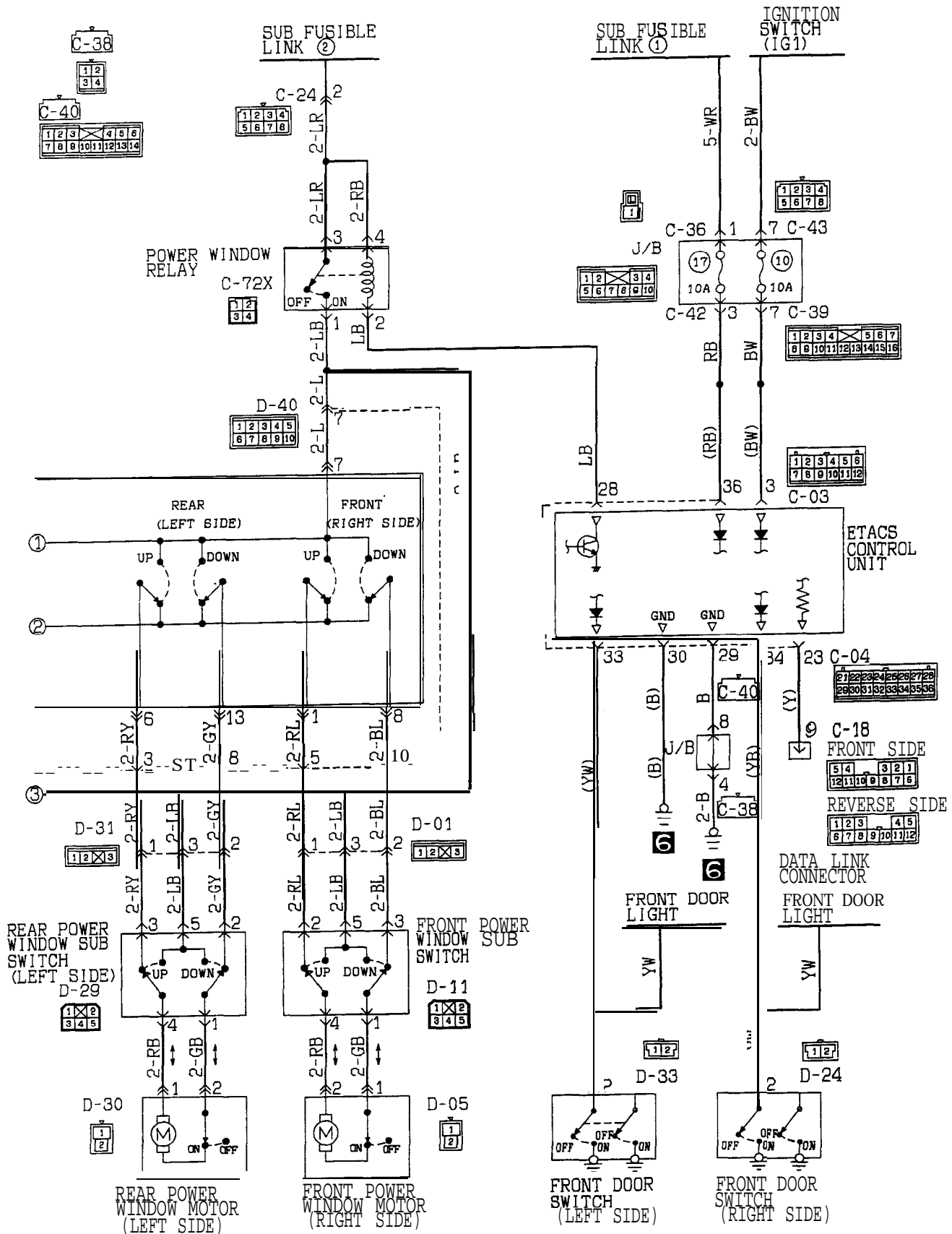


POWER WINDOW CIRCUIT

<Vehicles with ETACS (1989 models)>

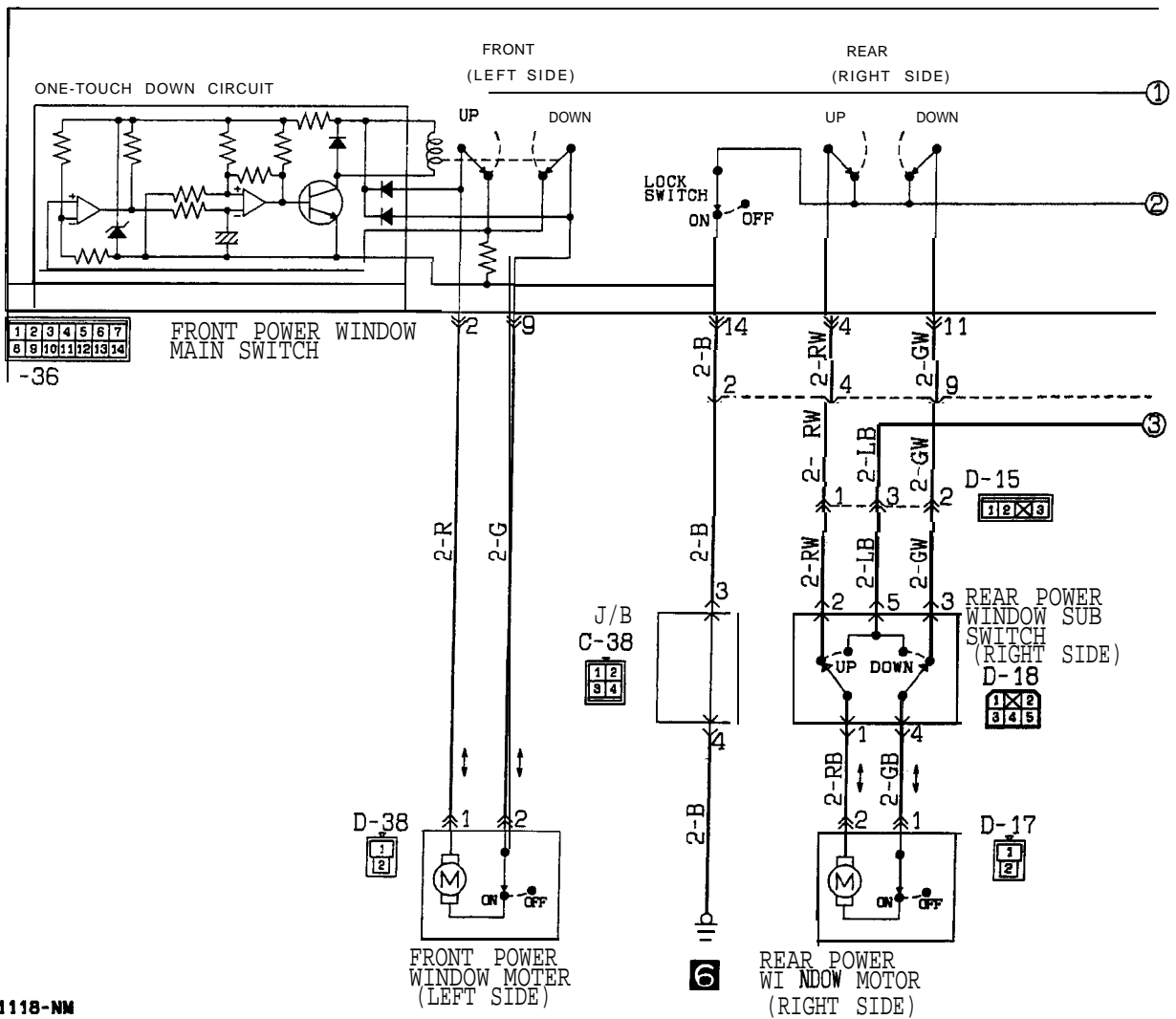


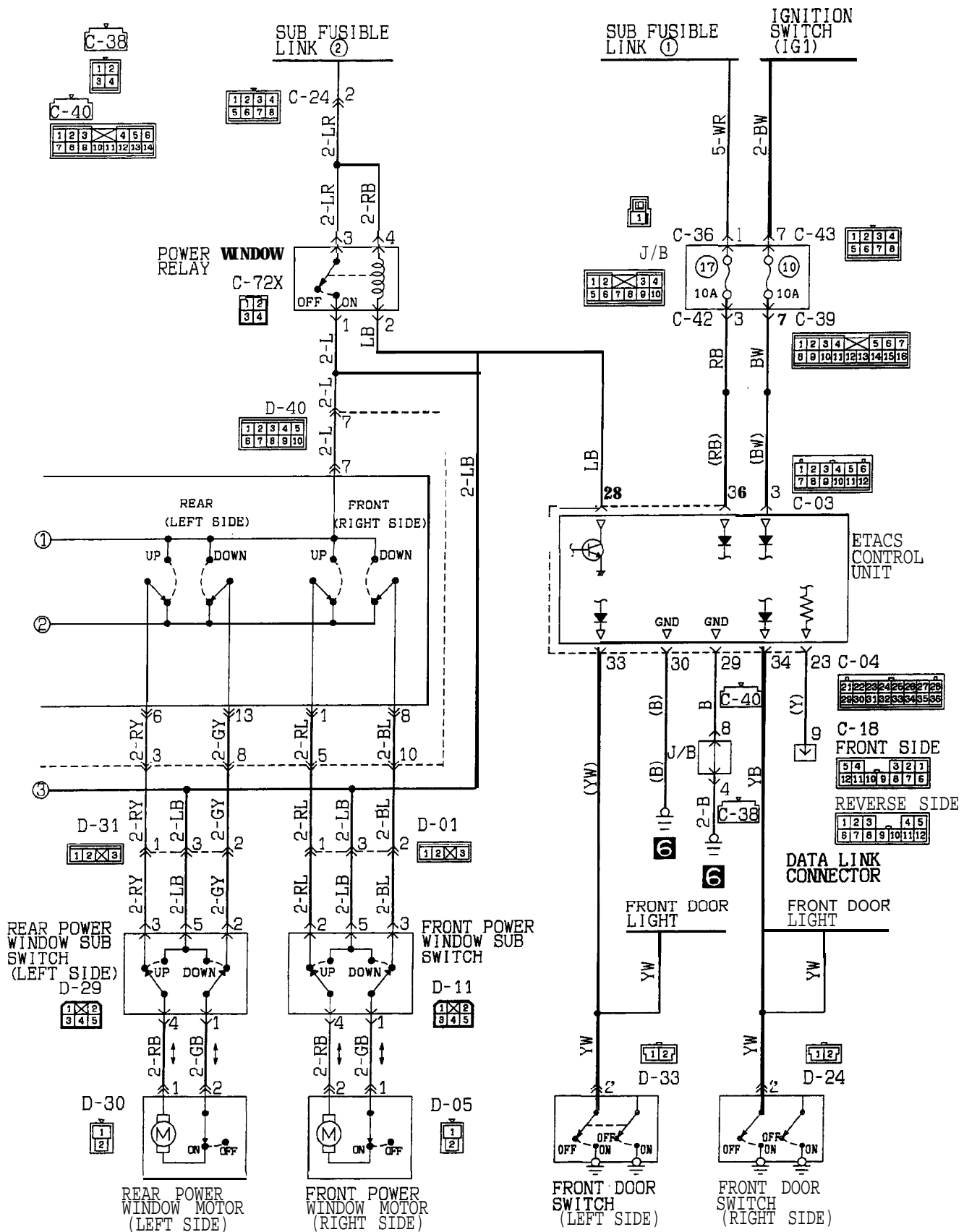
KX35-AC-H1117-NM



POWER WINDOW CIRCUIT

<Vehicles with ETACS (1990 models)>

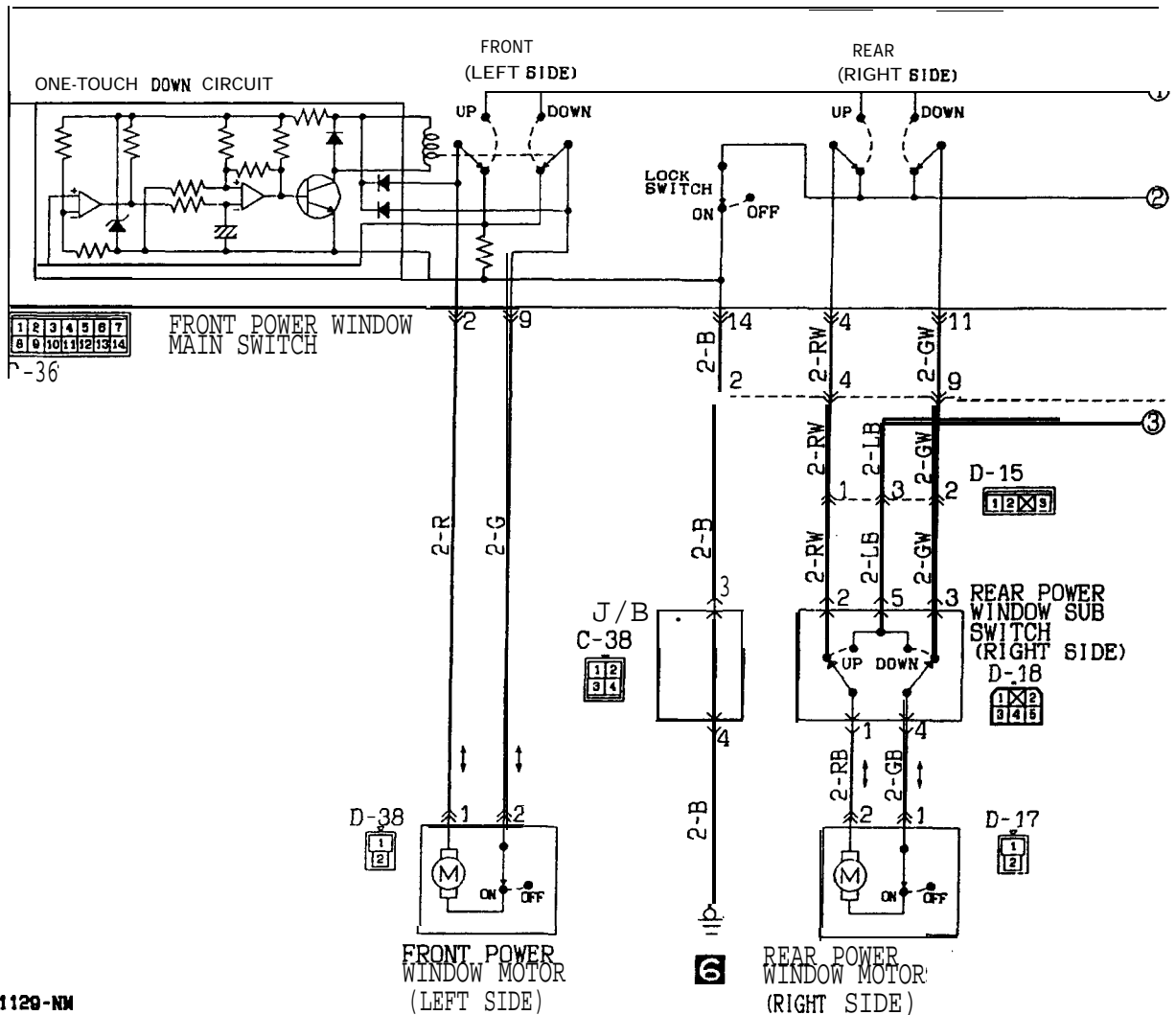




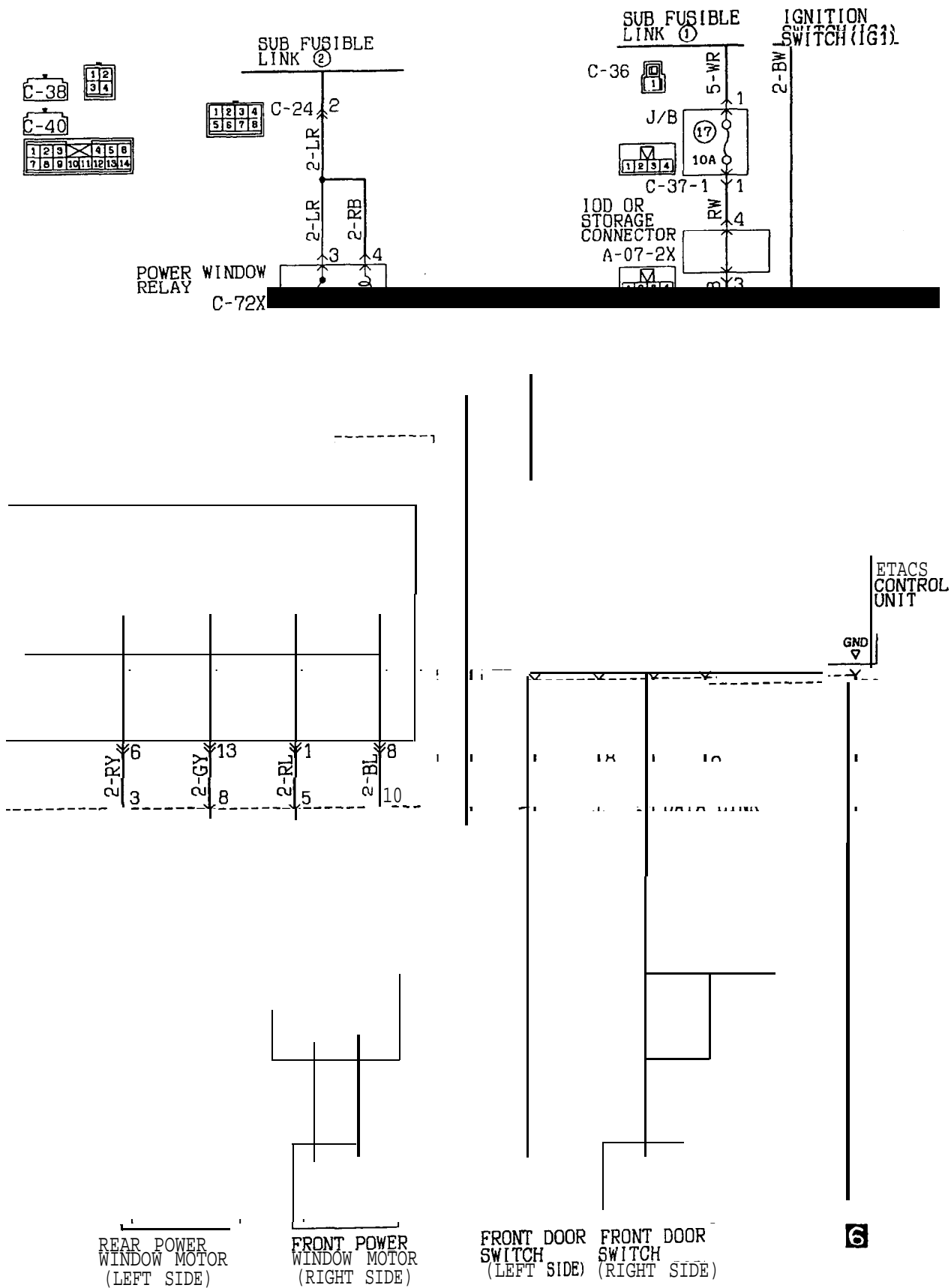
POWER WINDOW CIRCUIT

<Vehicles with ETACS (From 1991 models)>

Non-Turbo



KX35-AC-H1129-NW

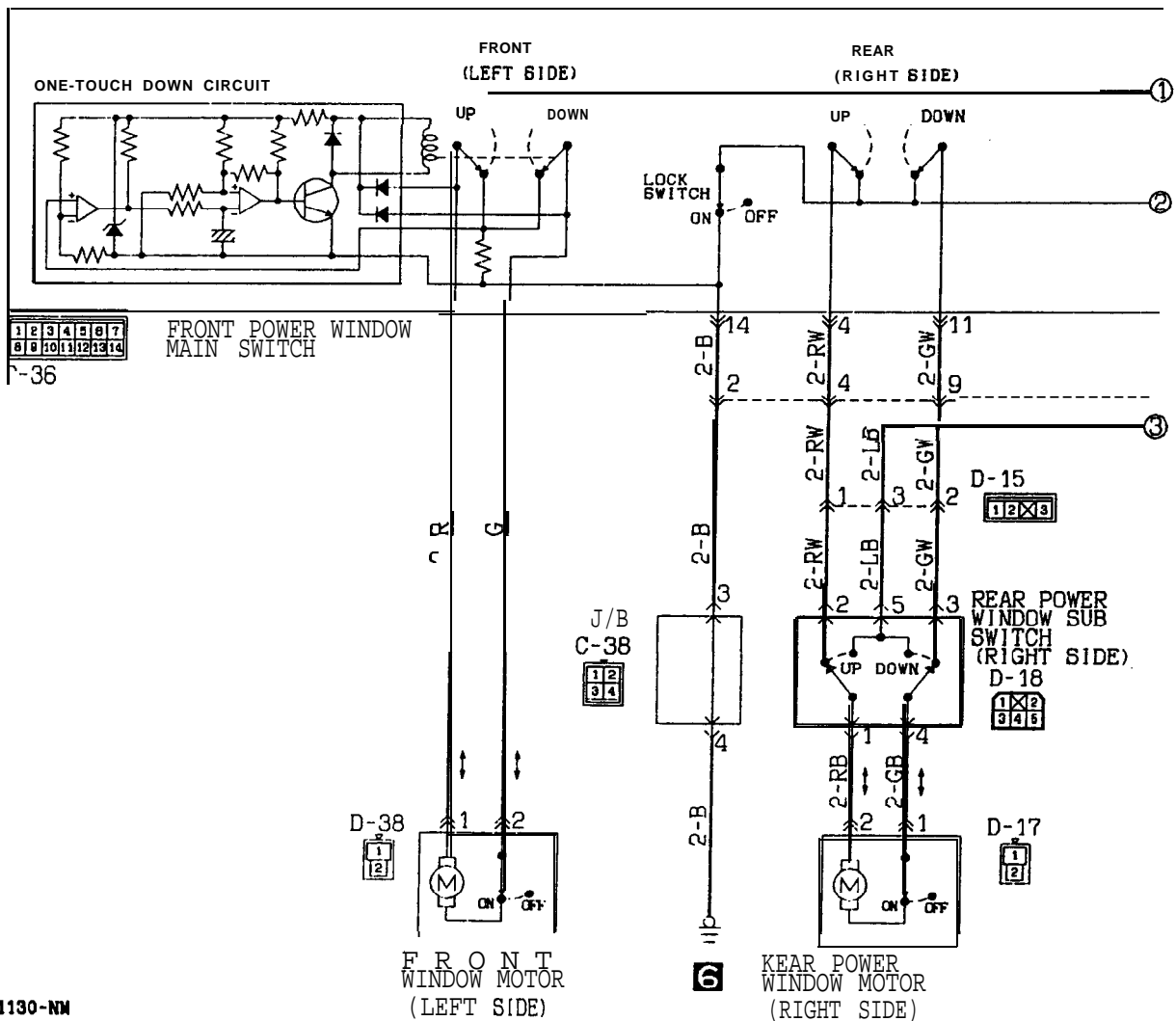


TSB Revision

POWER WINDOW CIRCUIT

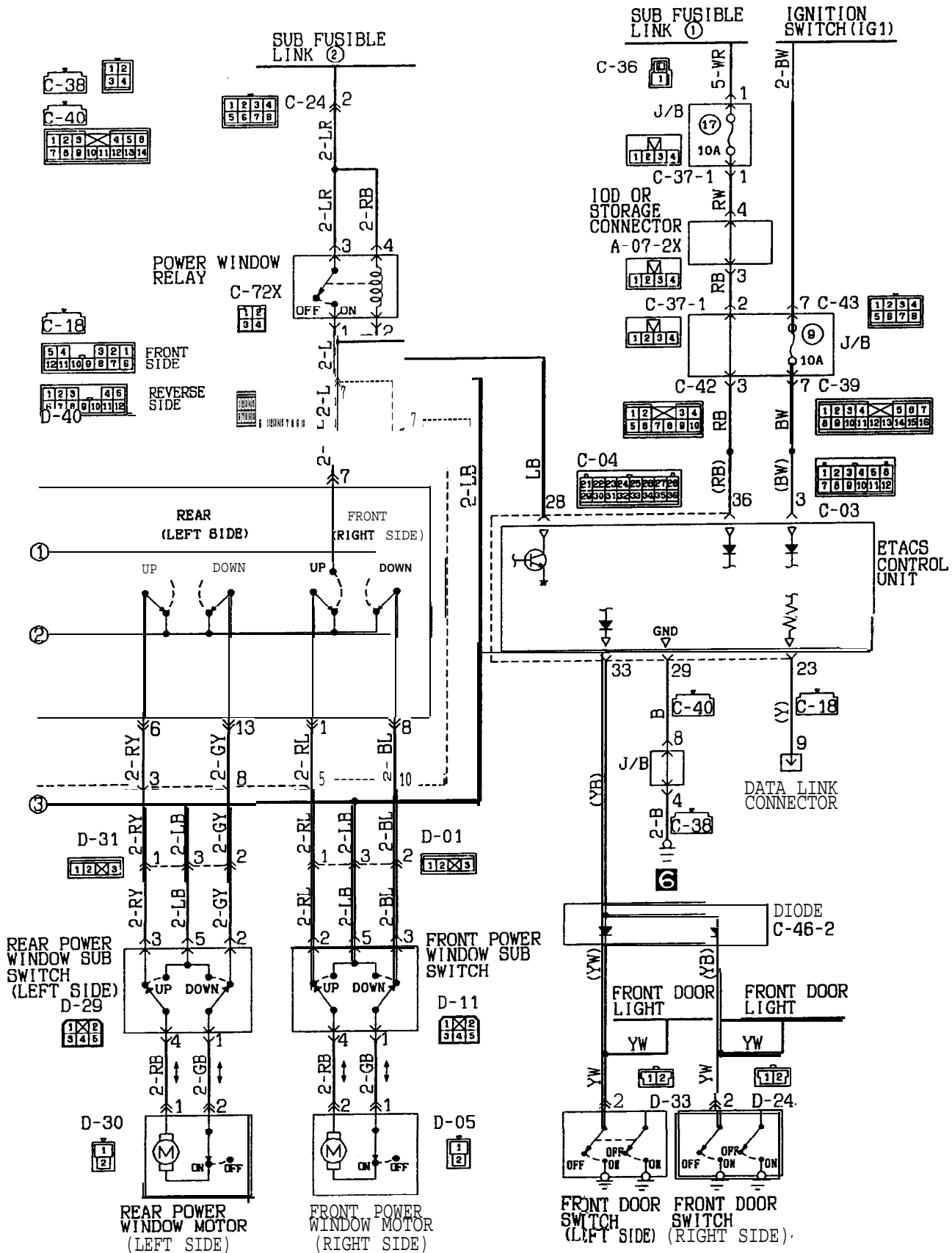
<Vehicles with ETACS (From 1991 models)>

Turbo



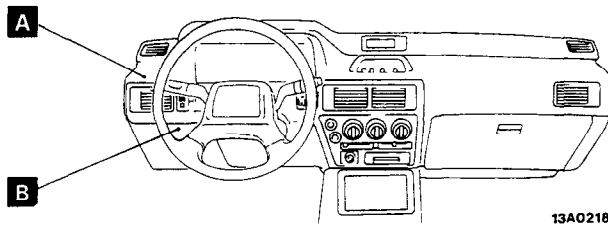
KX35-AC-H1130-NM

TSB Revision

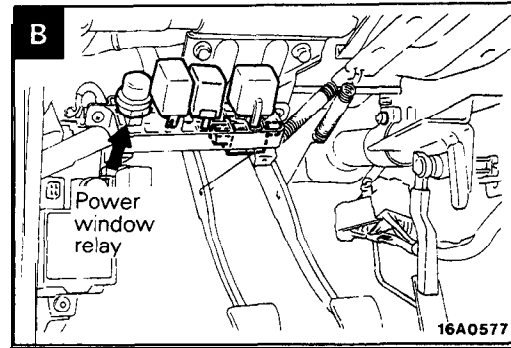
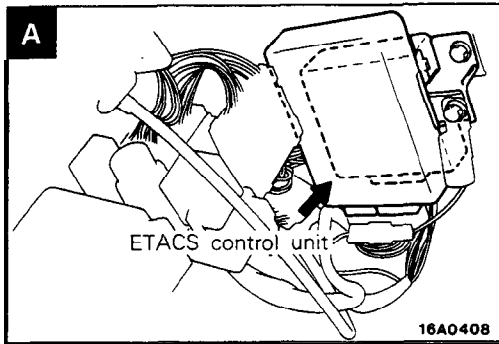


COMPONENT LOCATION

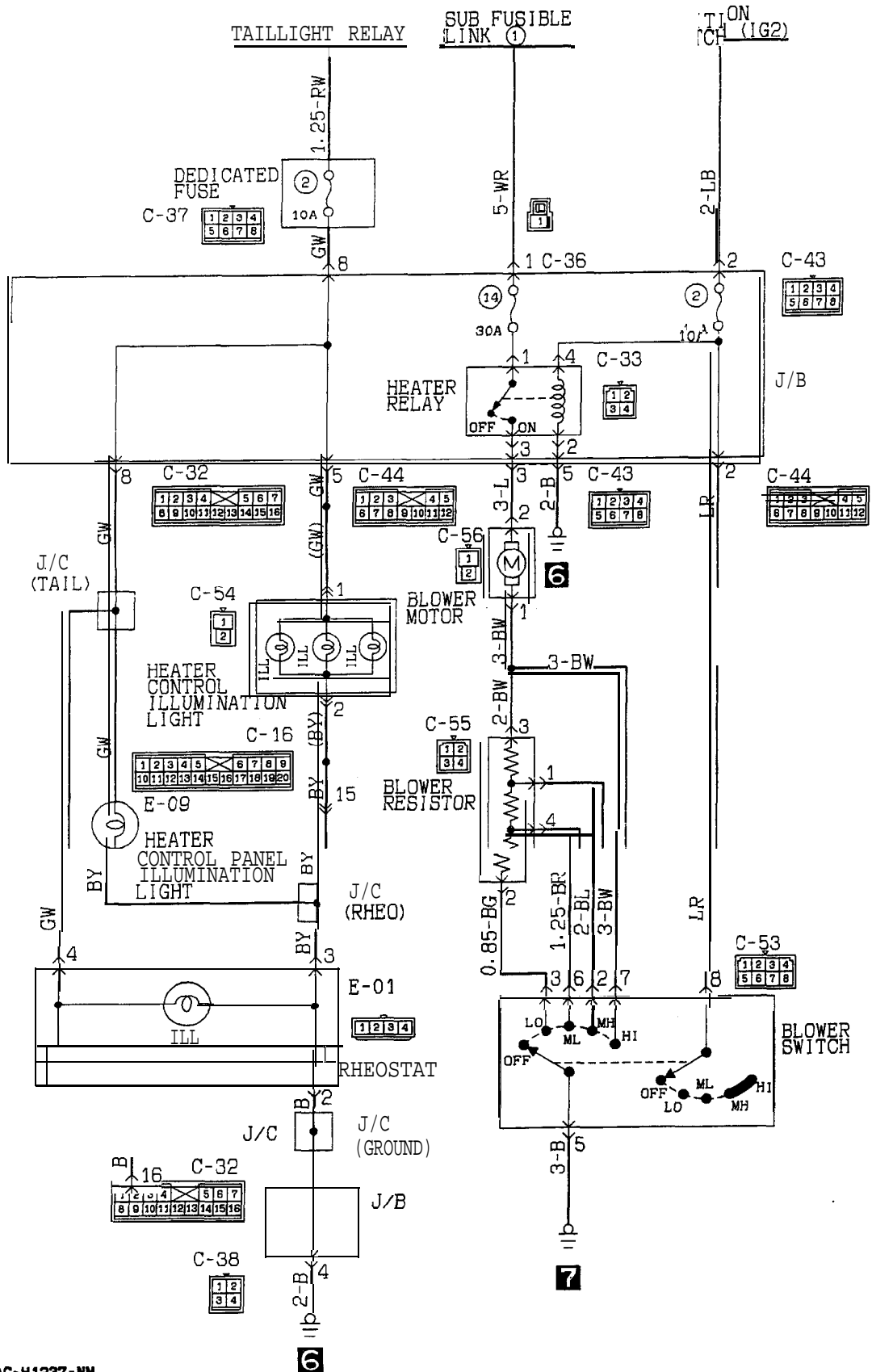
Name	Symbol	Name	Symbol
ETACS control unit	A	Power window relay	B



13A0218



HEATER C I RCU I T (Up to 1990 models)

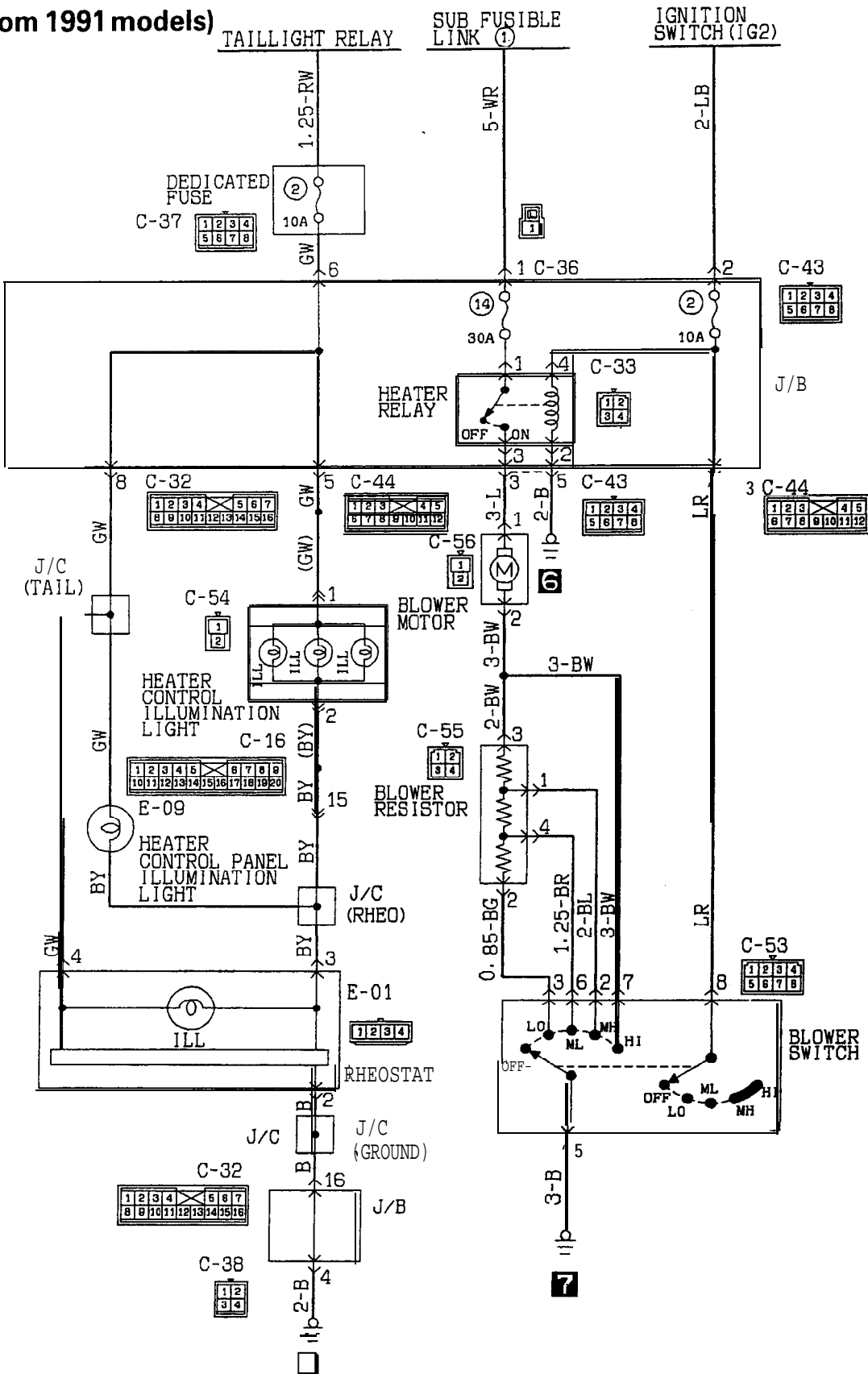


K35-AC-H1237-NM

TSB Revision

HEATER CIRCUIT

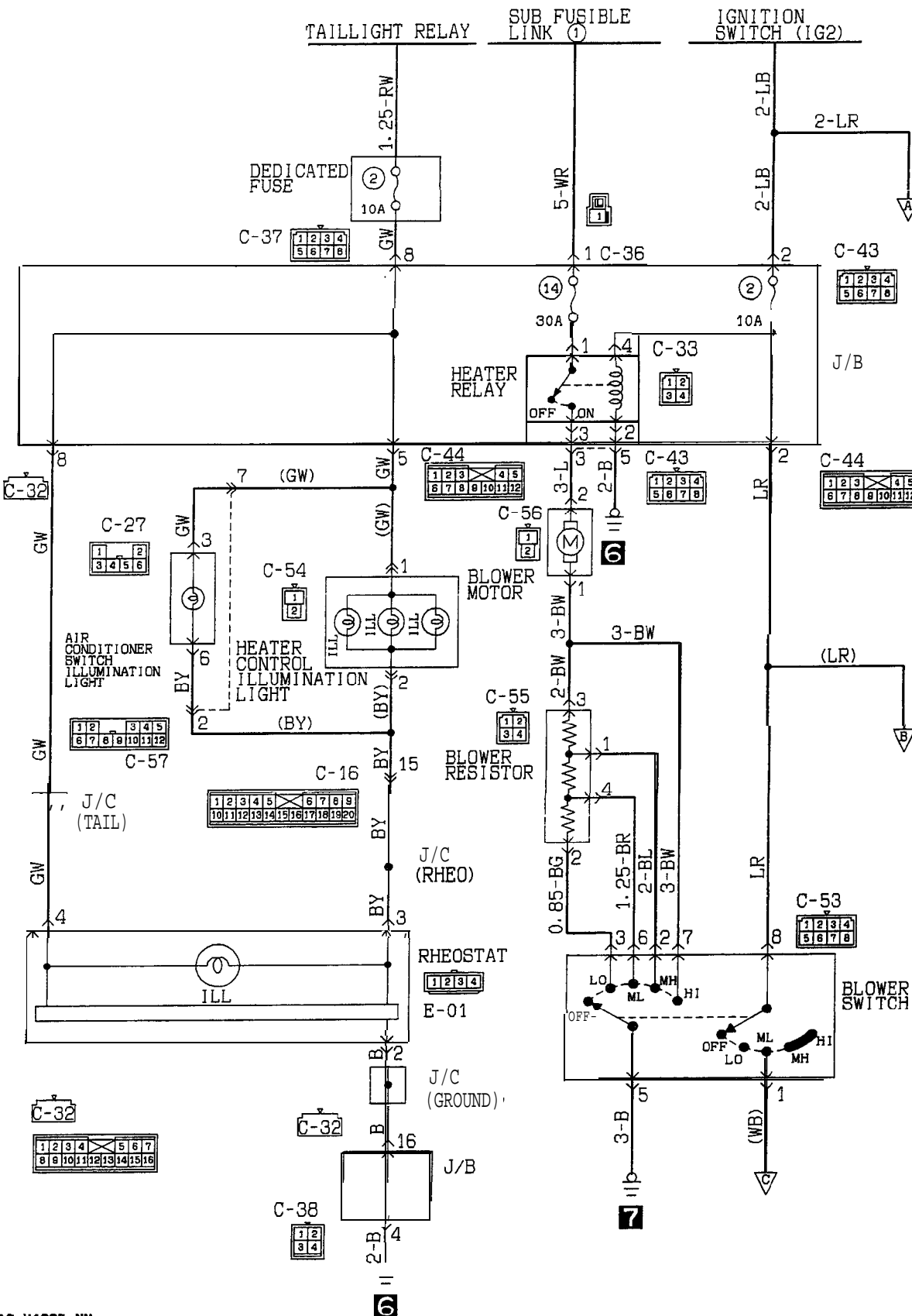
(From 1991 models)



KX35-AC-H1240-NN

TSB Revision

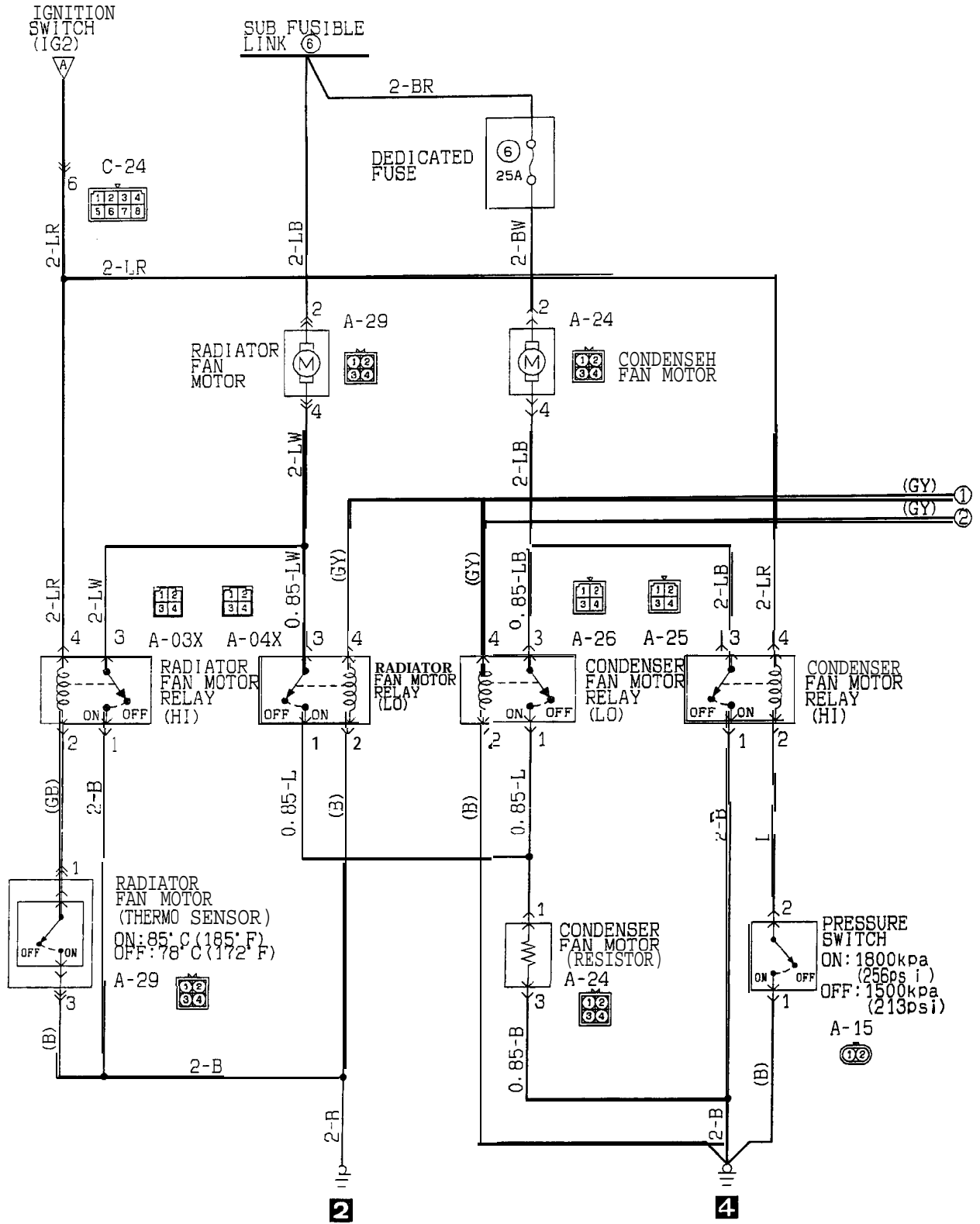
AIR CONDITIONING CIRCUIT (1989 MODELS)

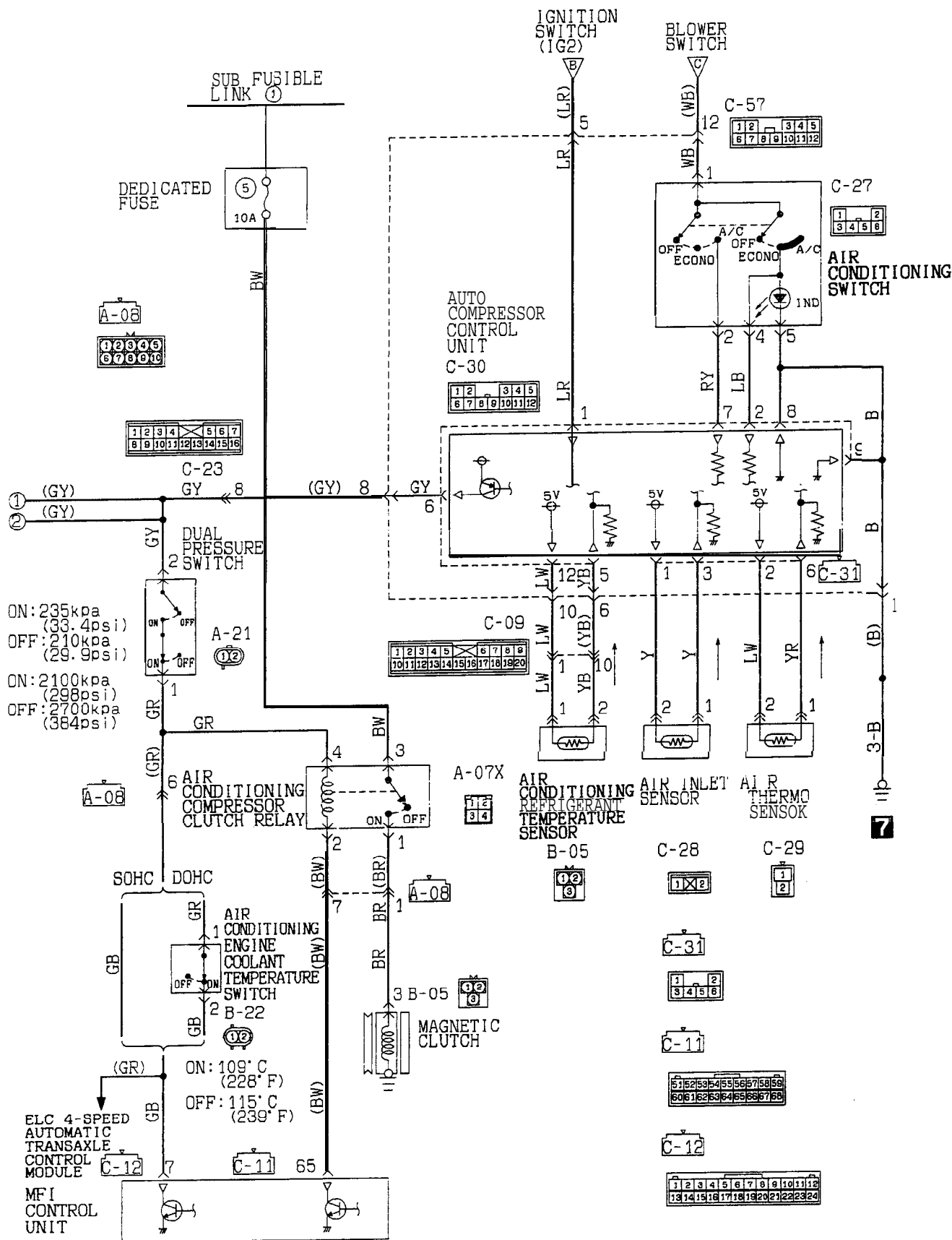


X35-AC-H1235-NM

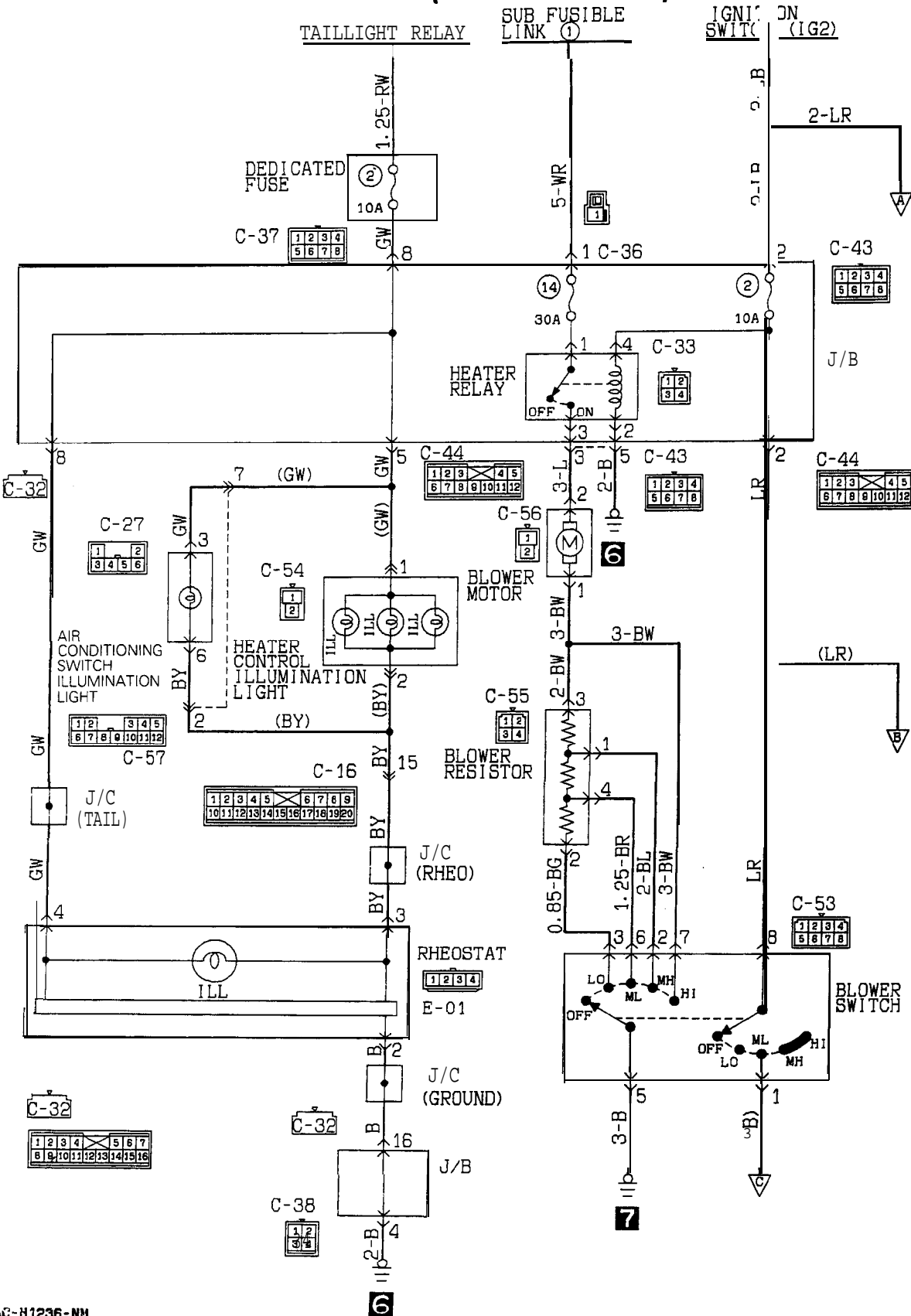
TSB Revision

AIR CONDITIONING CIRCUIT (1989 models) (CONTINUED)



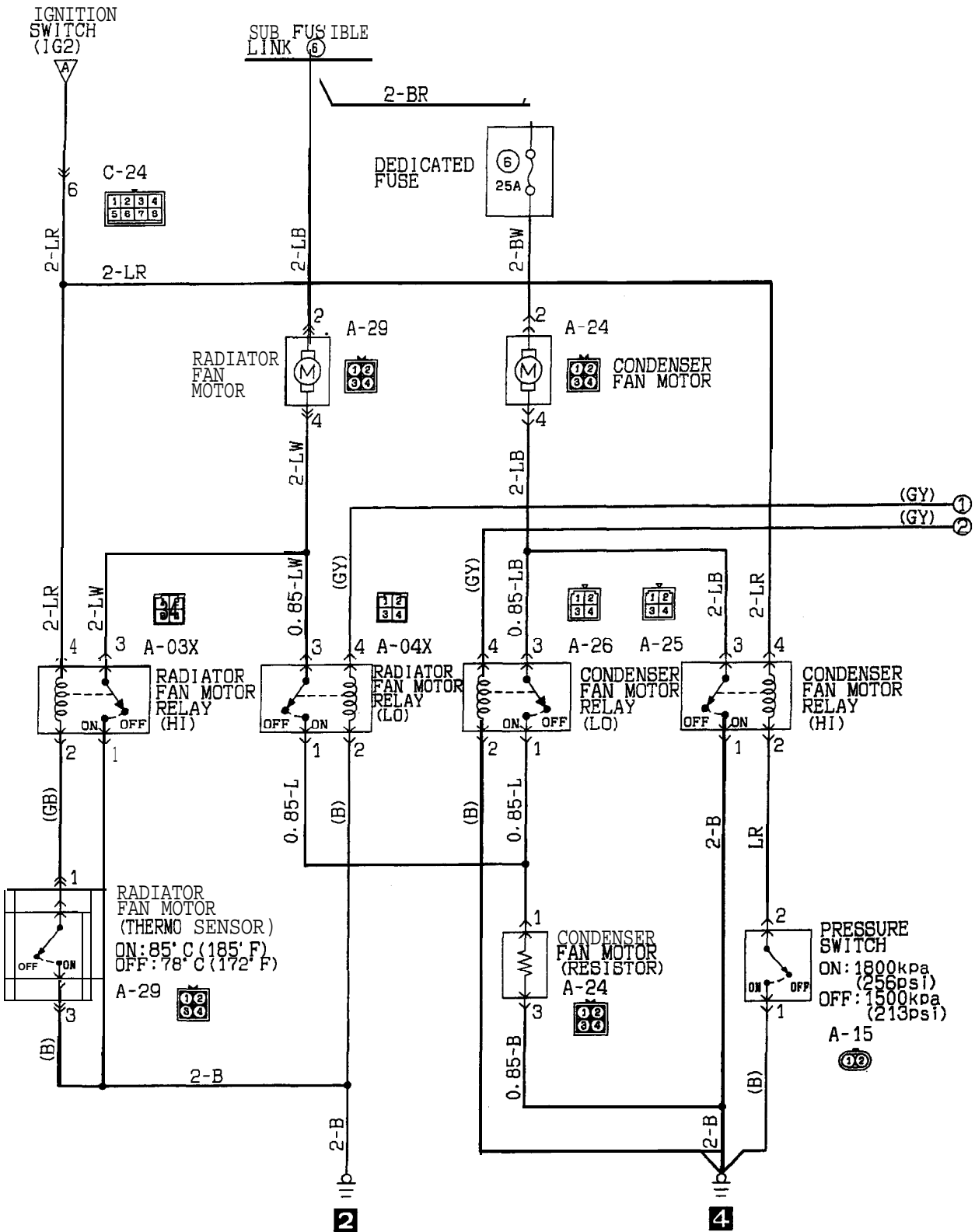


AIR CONDITIONING CIRCUIT (1990 MODELS)

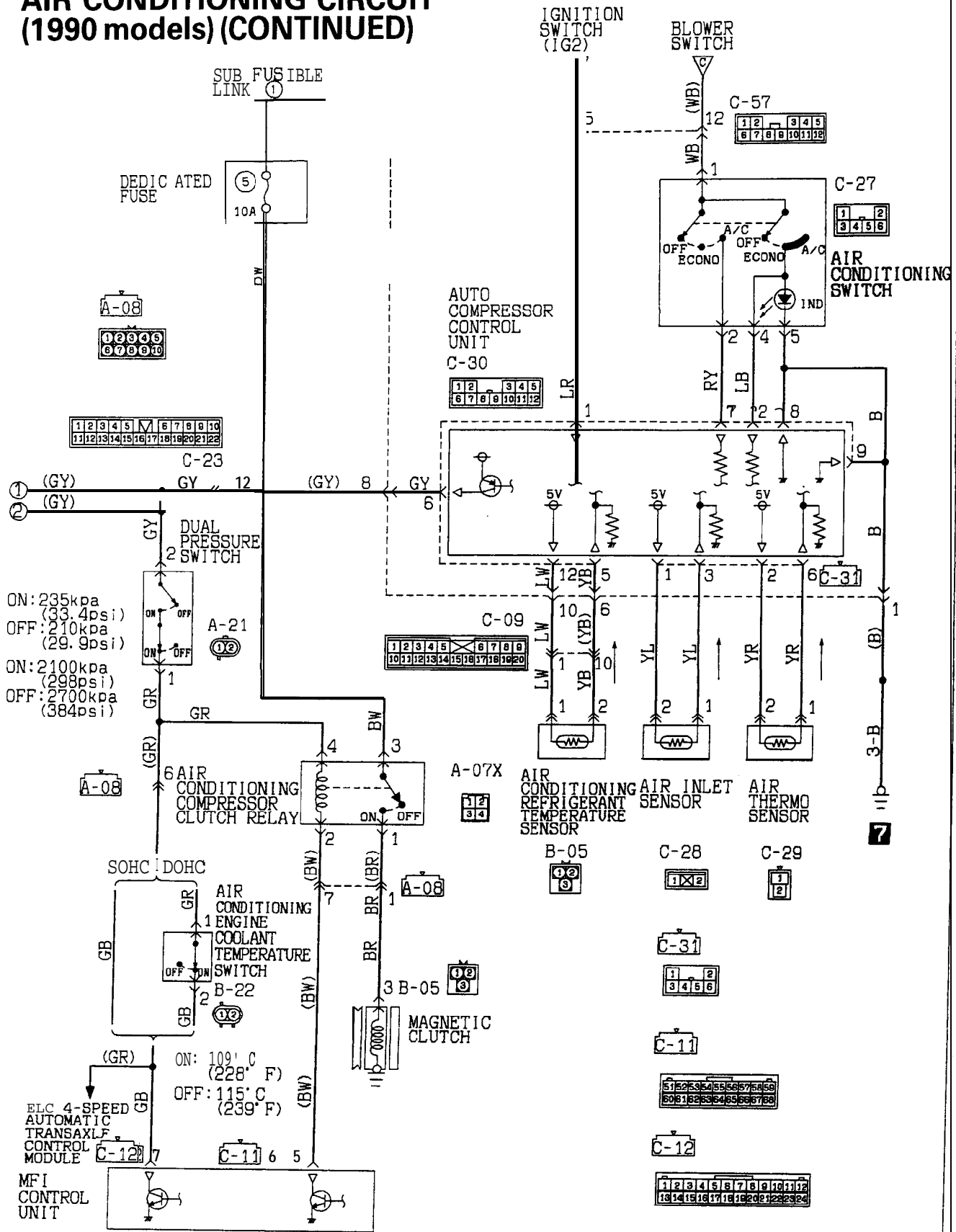


KX95-AC-H1236-NM

TSB Revision

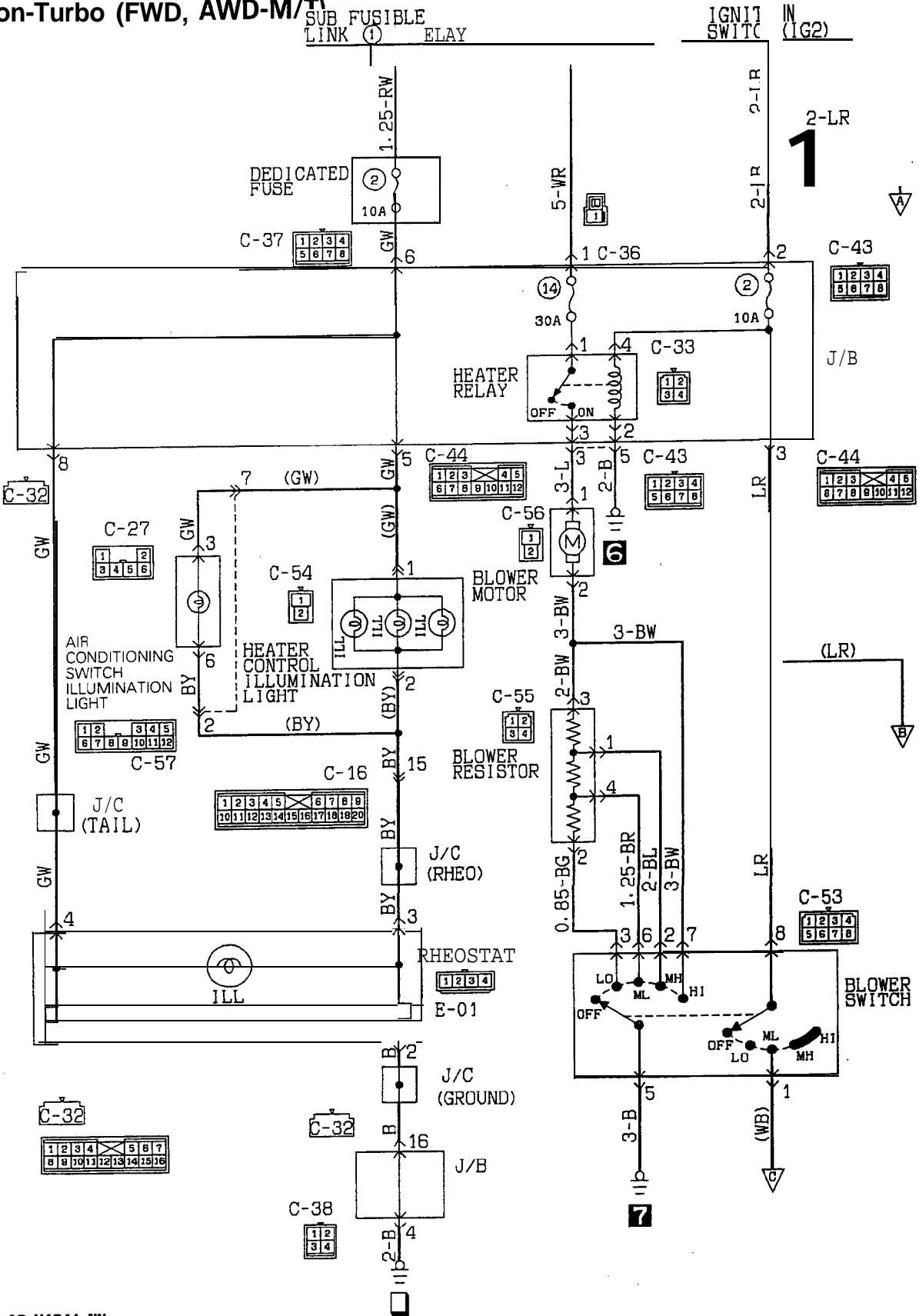


AIR CONDITIONING CIRCUIT (1990 models) (CONTINUED)



AIR CONDITIONING CIRCUIT (From 1991 models)

Non-Turbo (FWD, AWD-M/T)

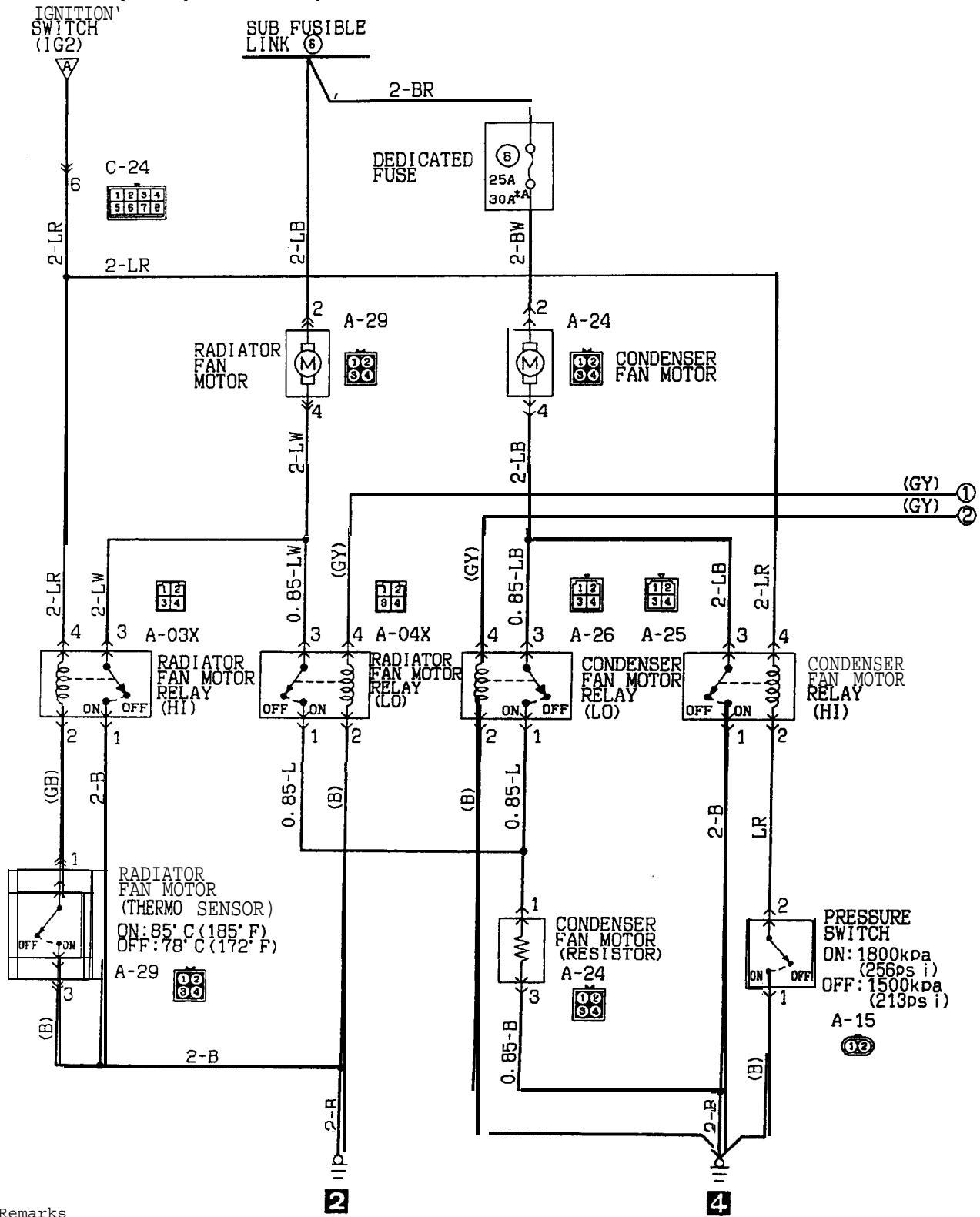


KX35-AC-H1241-NM

TSB Revision

AIR CONDITIONING CIRCUIT (From 1991 models) (CONTINUED)

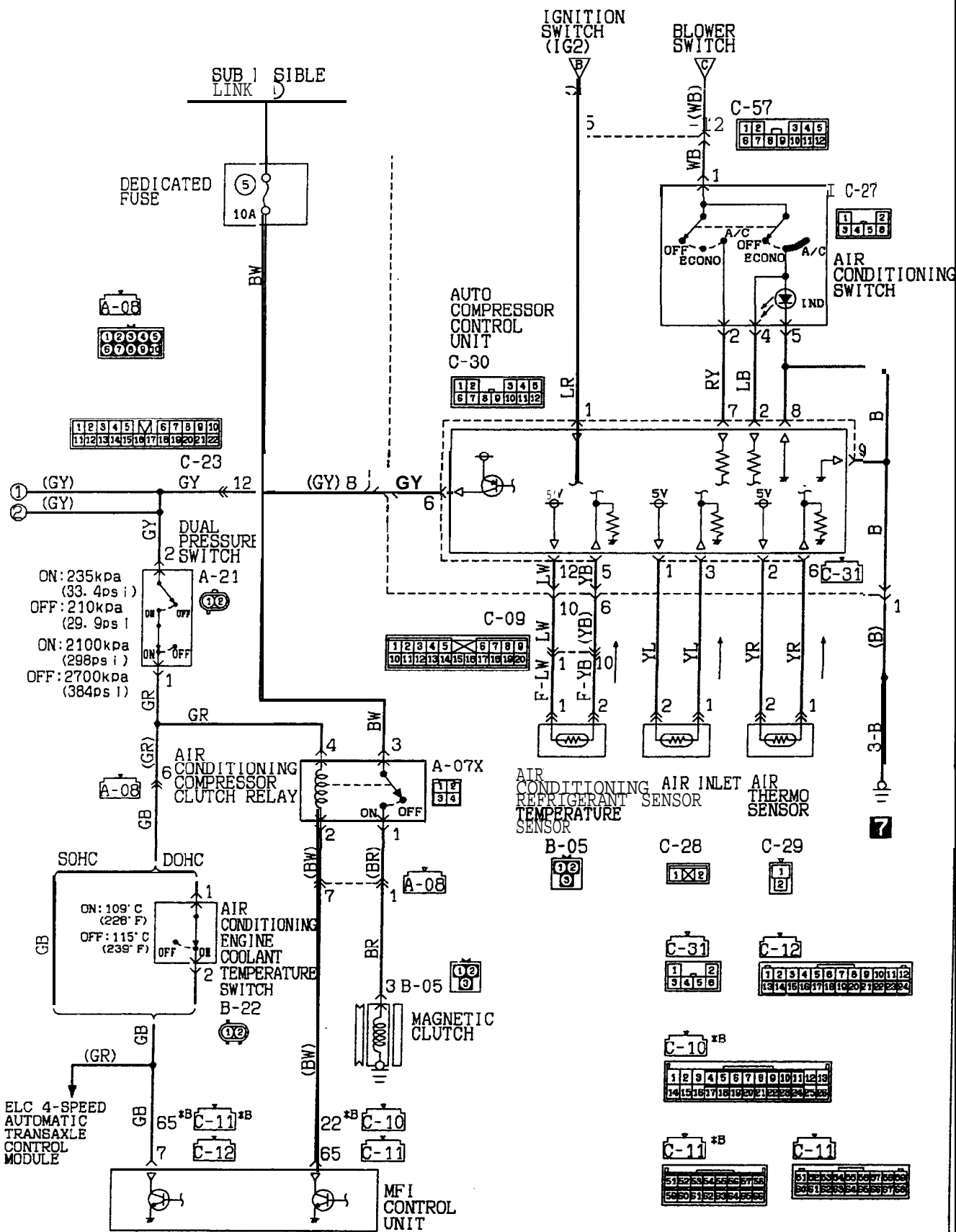
Non-Turbo (FWD, AWD-M/T)



Remarks
 *A: DOHC (From 1992 models)
 *B: SOHC (From 1993 models)

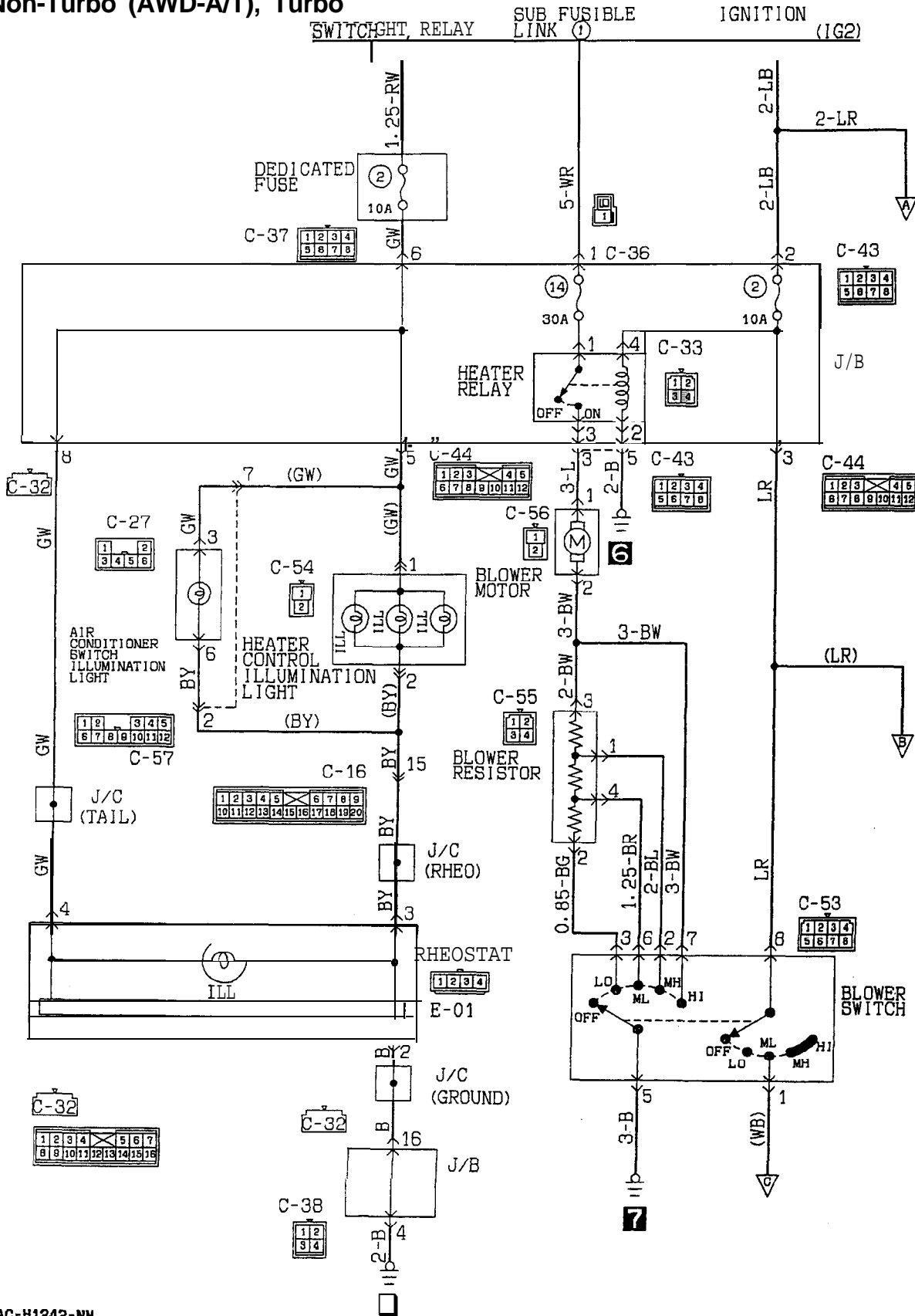
KX35-AC-H1243A-NW

TSB Revision



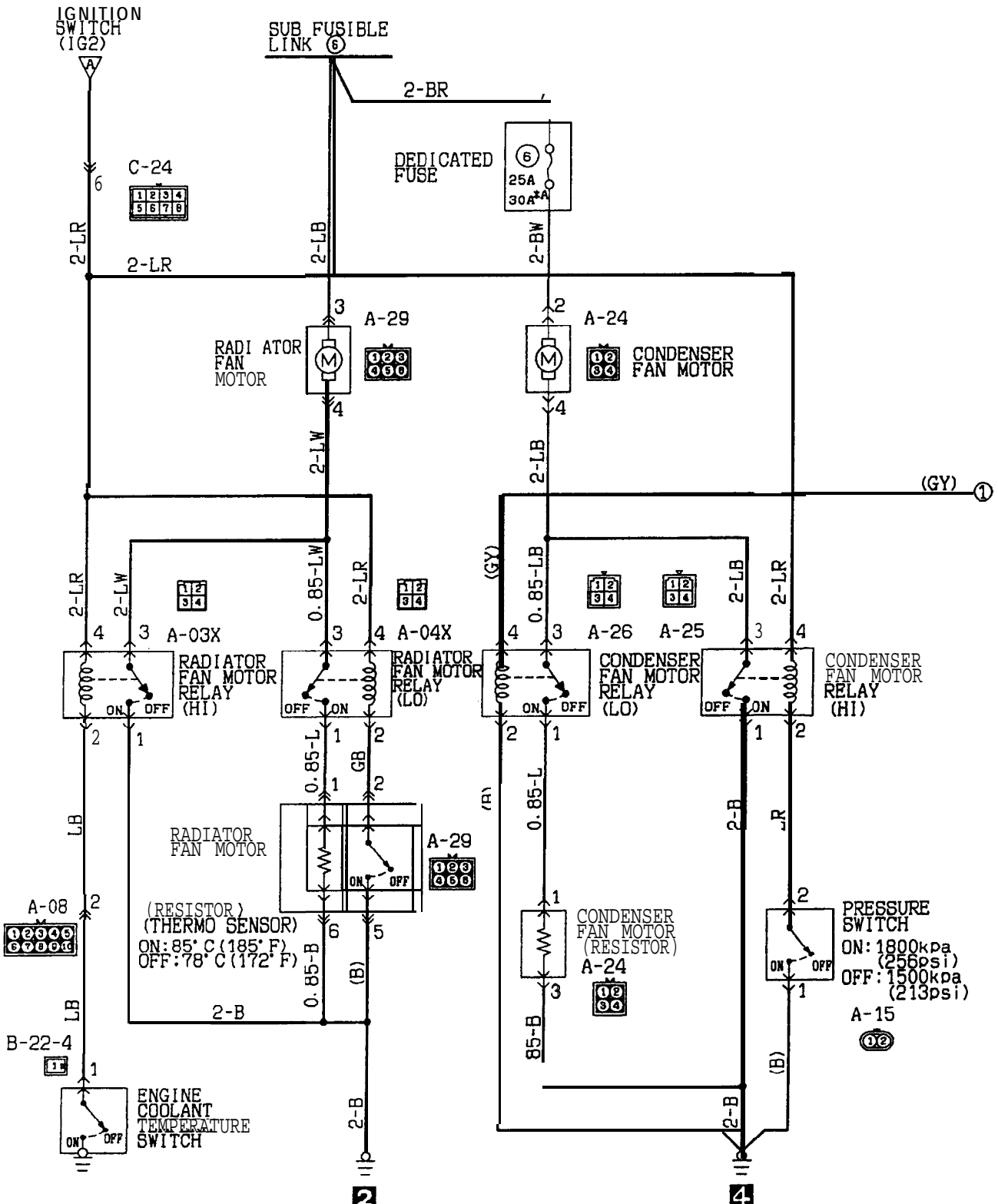
AIR CONDITIONING CIRCUIT (From 1991 models)

Non-Turbo (AWD-A/T), Turbo



KX35-AC-H1242-NM

TSB Revision



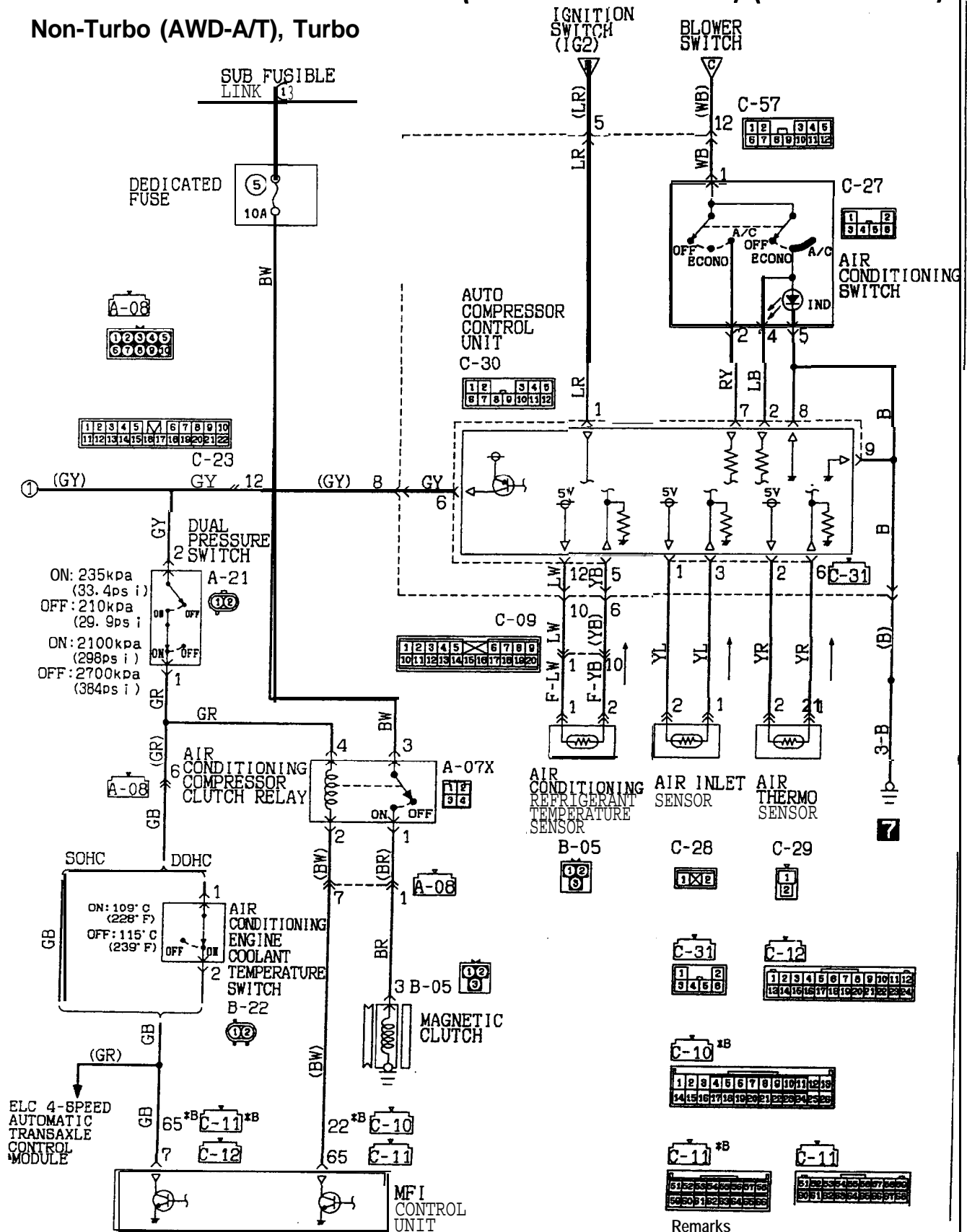
Remark
 *A: DOHC (From 1992 models)

KX35-AC-H1244A-NM

TSB Revision |

AIR CONDITIONING CIRCUIT (From 1991 models) (CONTINUED)

Non-Turbo (AWD-A/T), Turbo



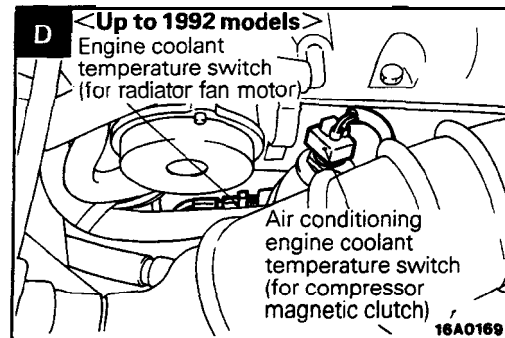
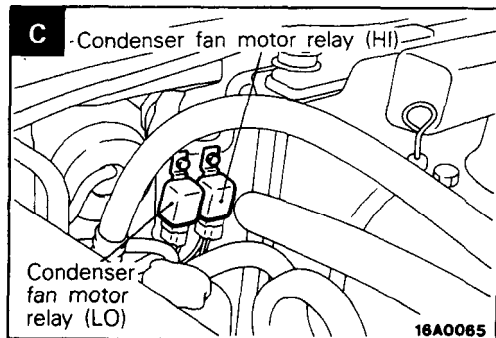
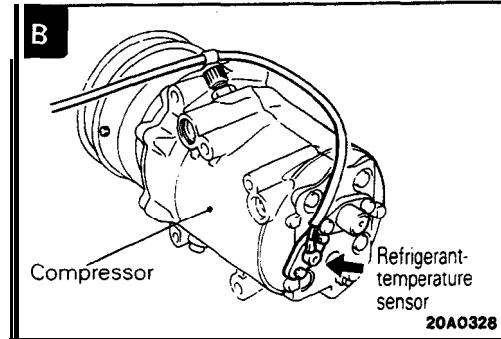
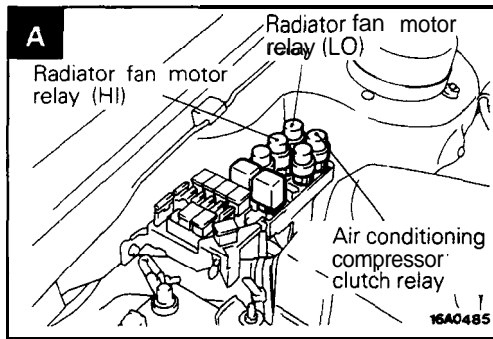
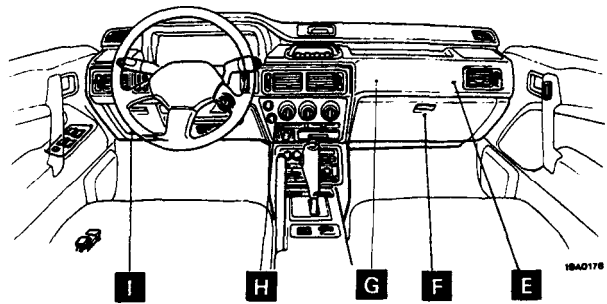
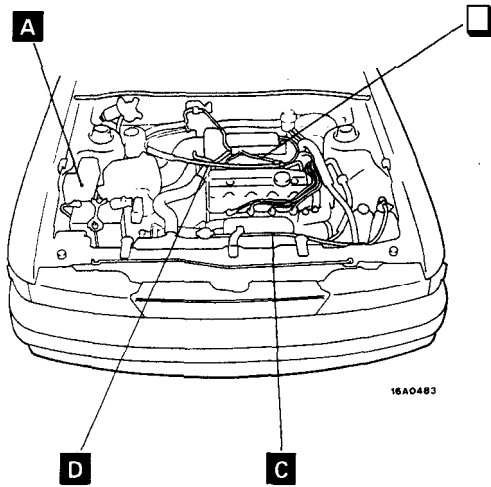
Remarks
*B: SOHC <From 1993 models>

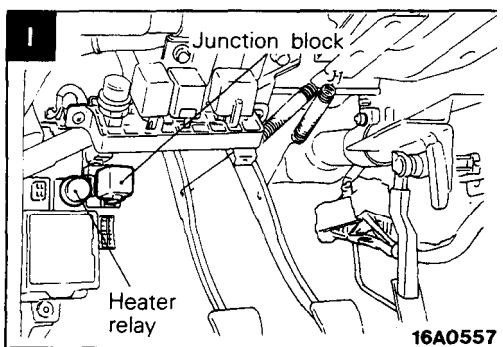
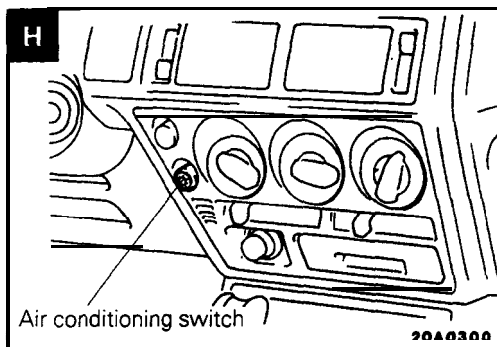
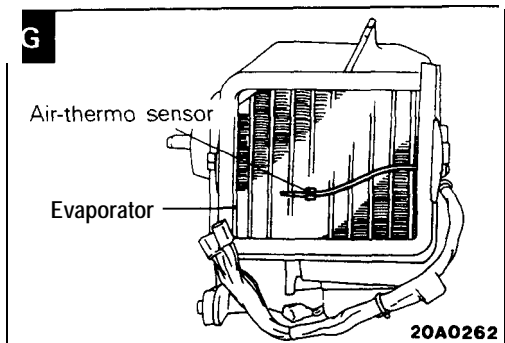
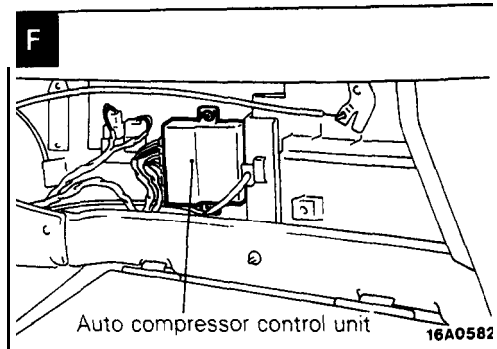
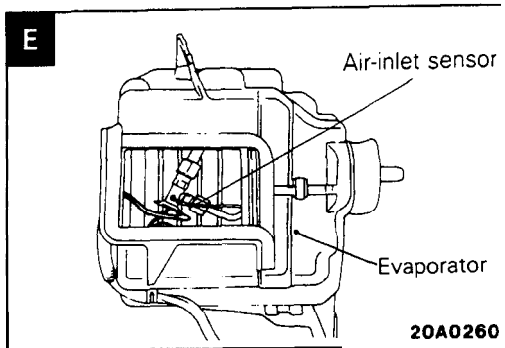
TSB Revision

COMPONENT LOCATION

Name	Symbol	Name	Symbol
Air conditioning compressor clutch relay	A	Air conditioning engine coolant temperature switch (for compressor magnetic clutch)	D
Air conditioning switch	H	Engine coolant temperature switch (for radiator fan motor)	D
Air-inlet sensor	E	Radiator fan motor relay (LO, Hi)	A
Air-thermo sensor	G	Refrigerant-temperature sensor	B
Auto compressor control unit	F	Heater relay	I
Condenser fan motor relay (LO, HI)	C		

NOTE
The "Name" column is arranged in alphabetical order.

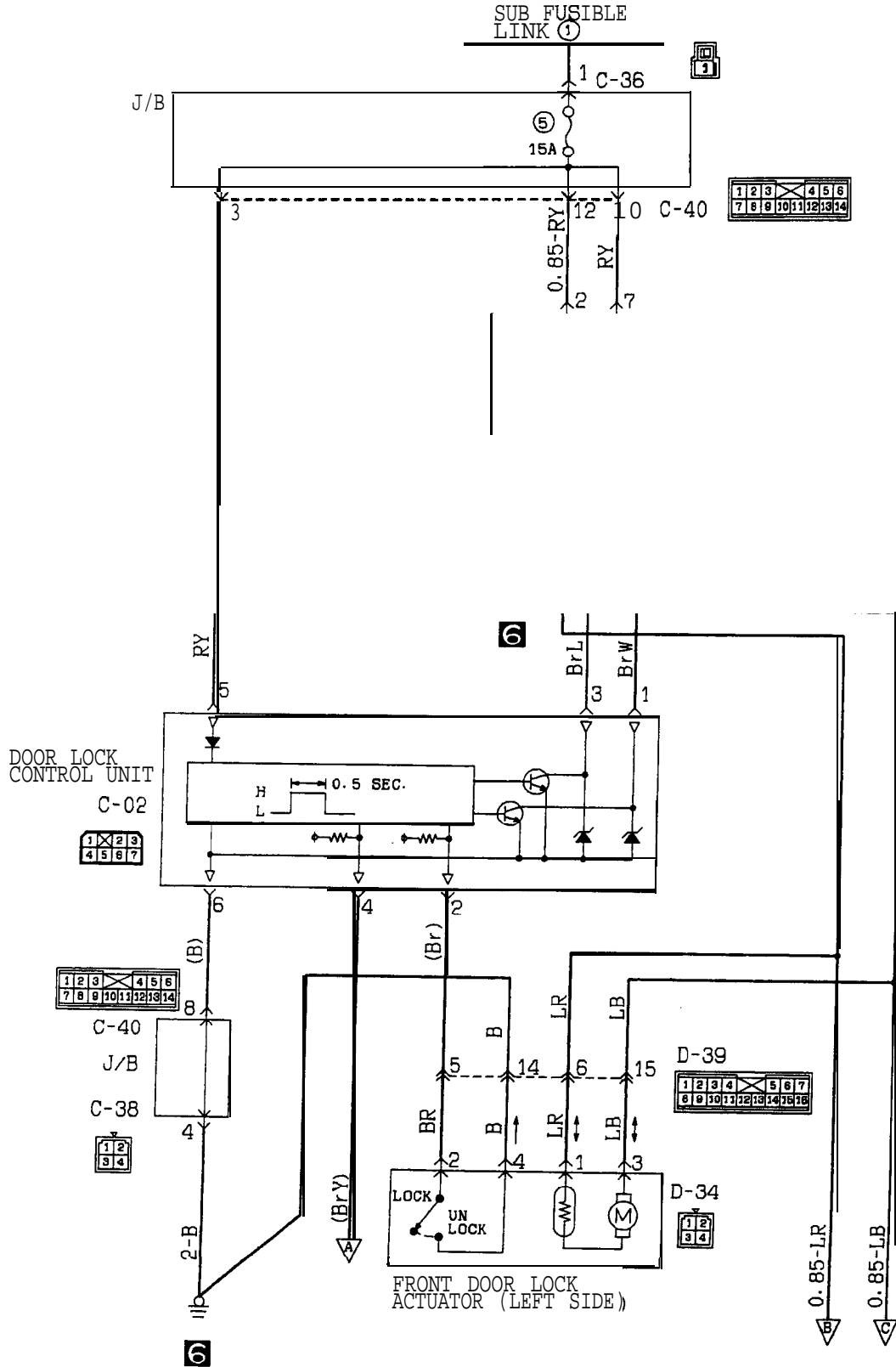


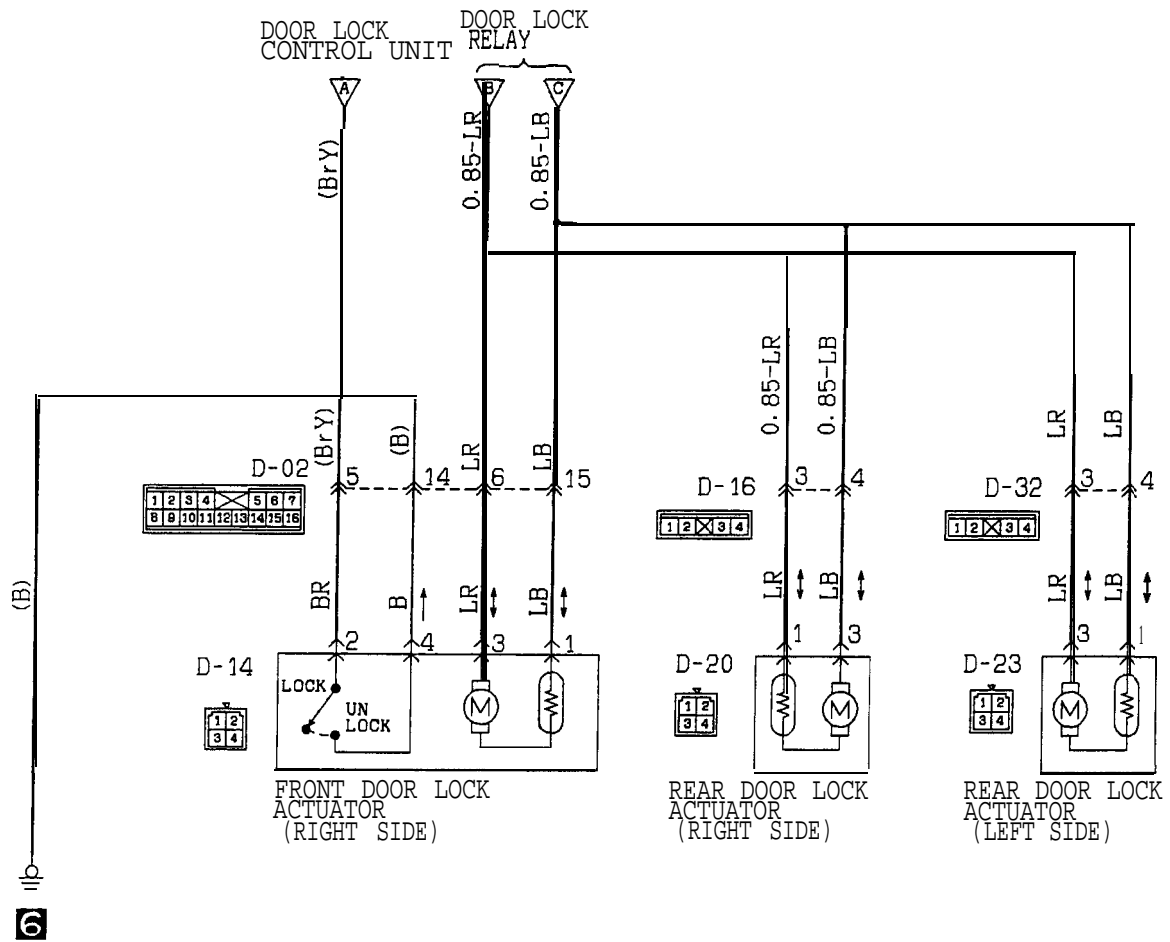


NOTES

CENTRAL DOOR LOCKING CIRCUIT

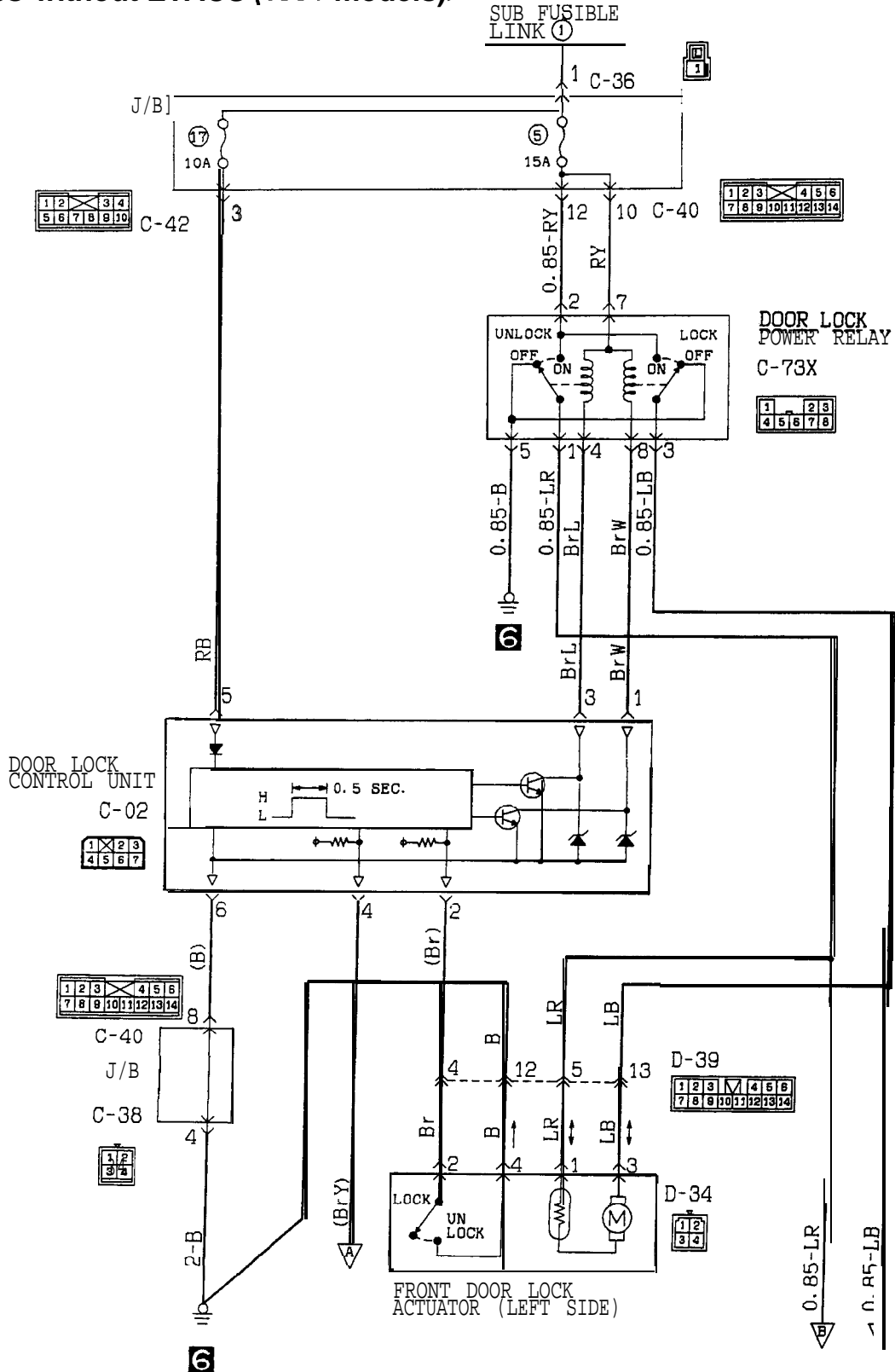
<Vehicles without ETACS (1989 models)>

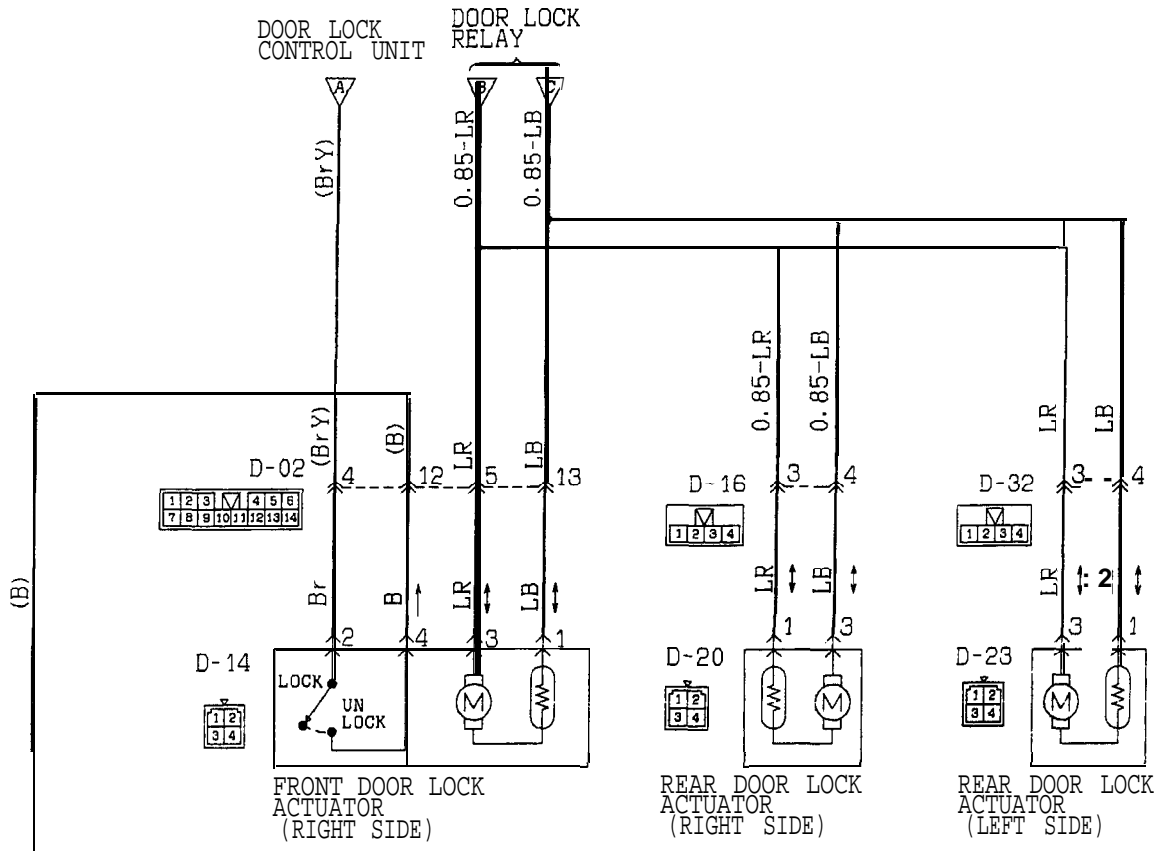




CENTRAL DOOR LOCKING CIRCUIT

<Vehicles without ETACS (1990 models)>

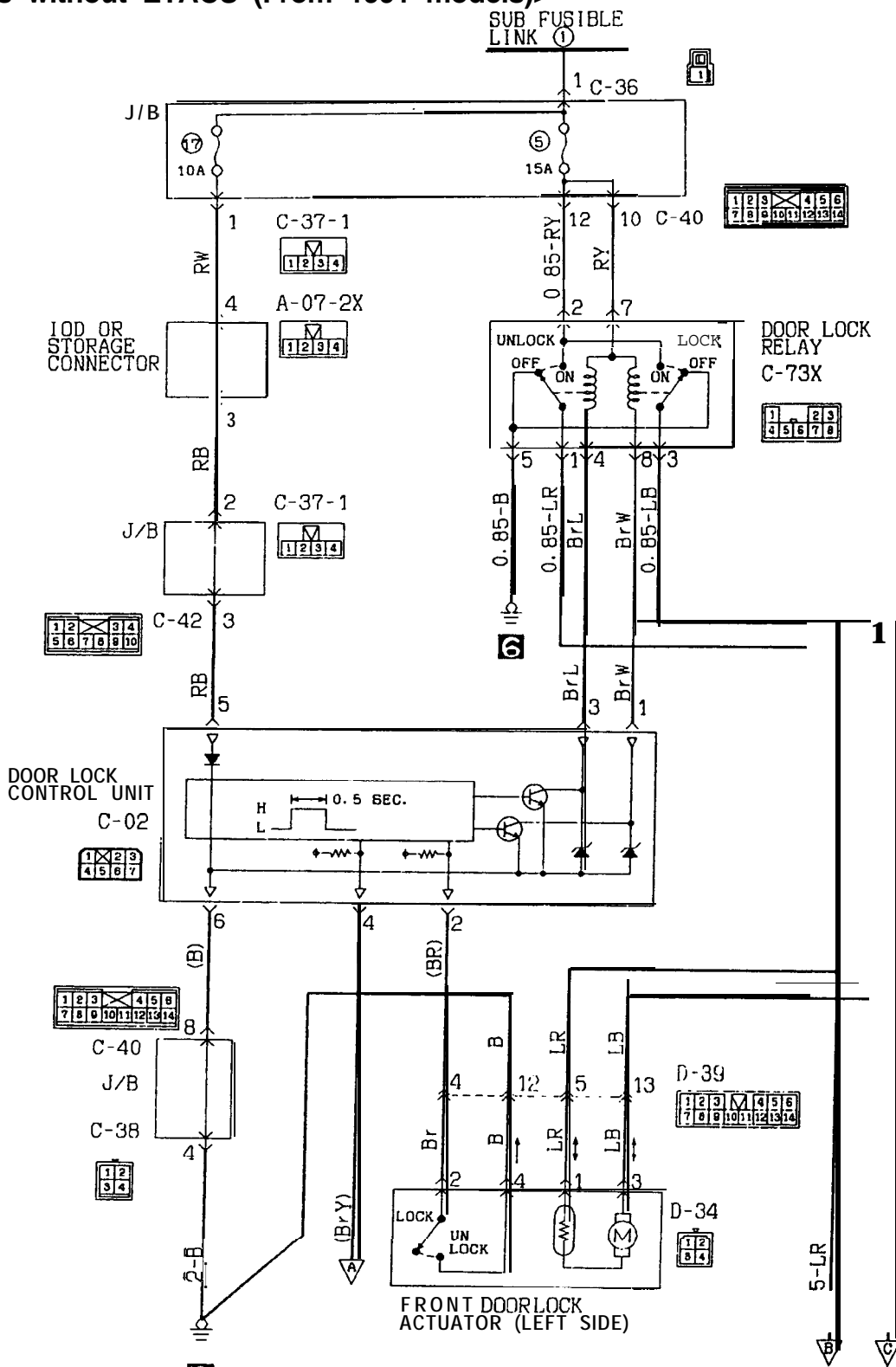


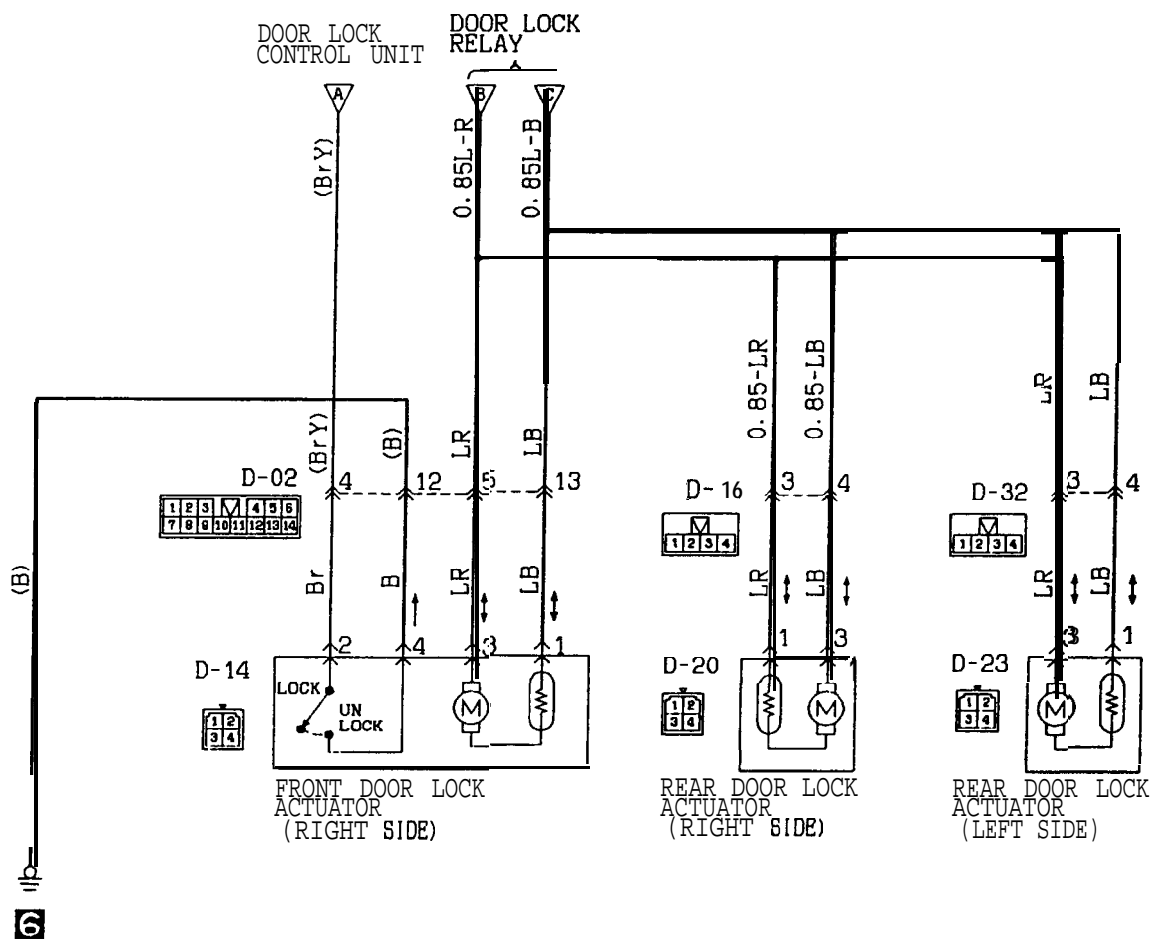


6

CENTRAL DOOR LOCKING CIRCUIT

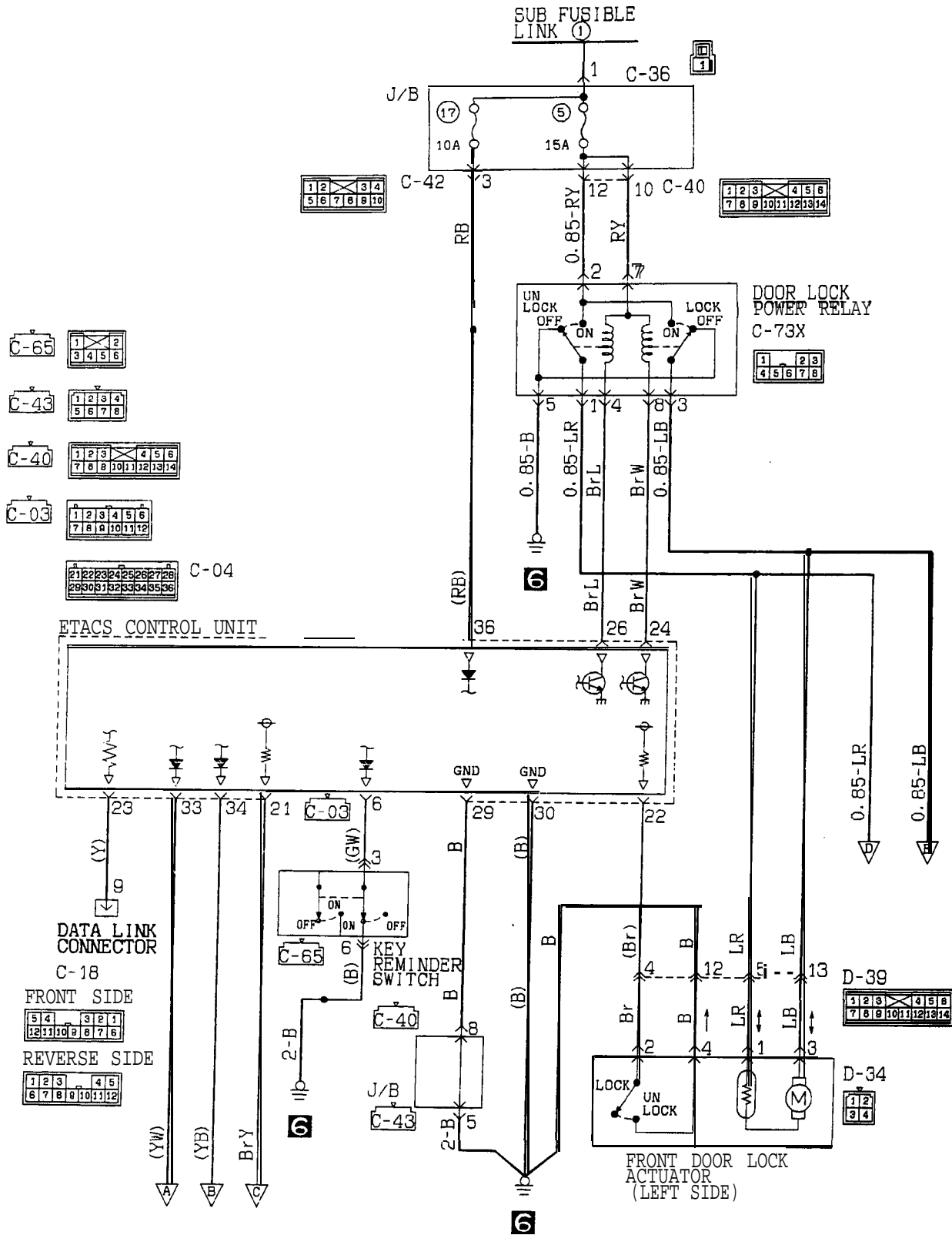
<Vehicles without ETACS (From 1991 models)>

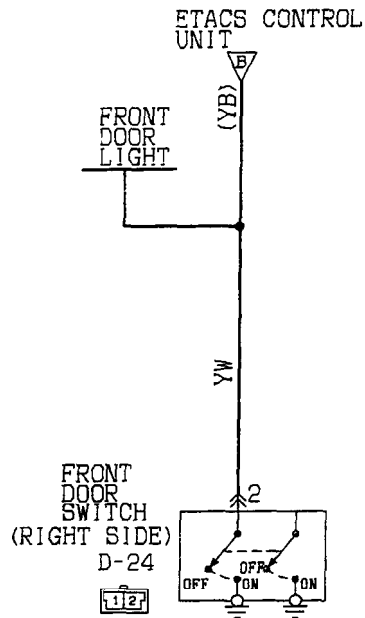
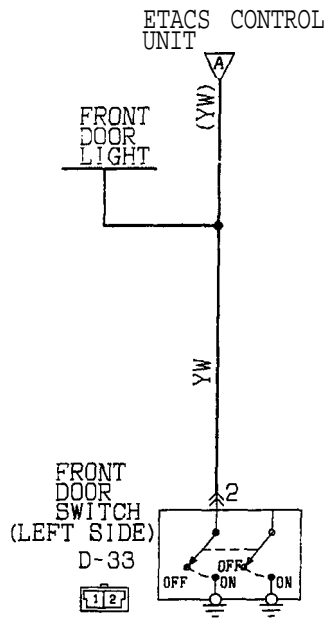
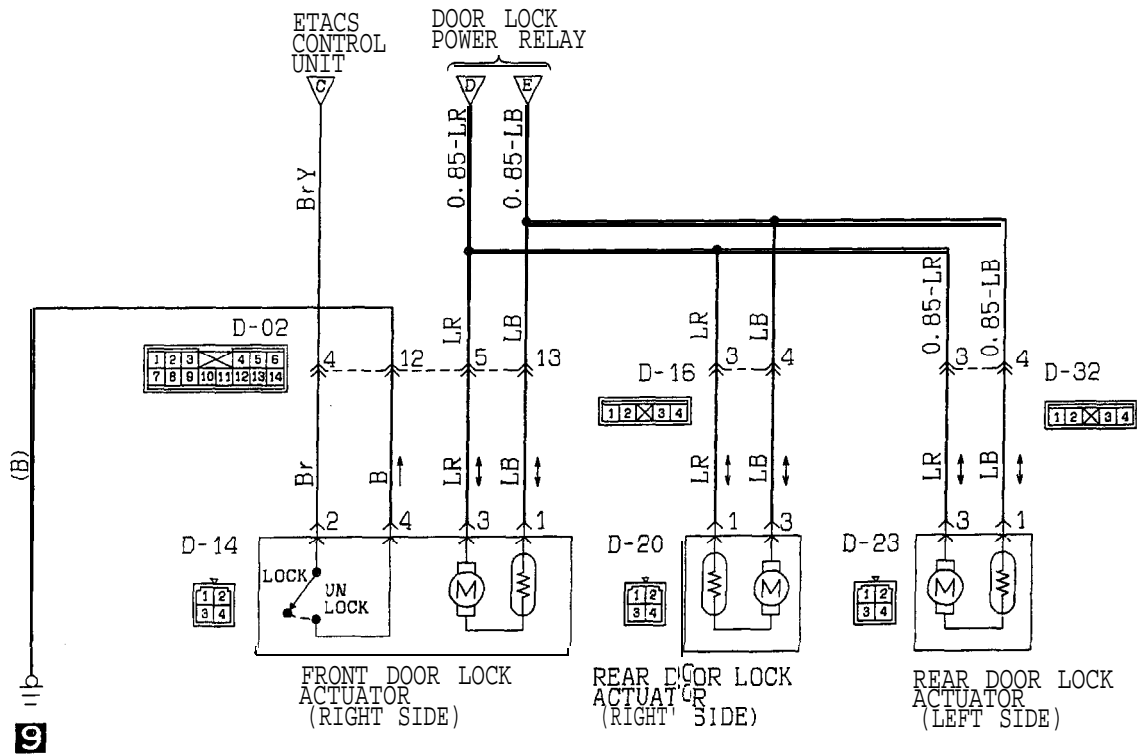




CENTRAL DOOR LOCKING CIRCUIT

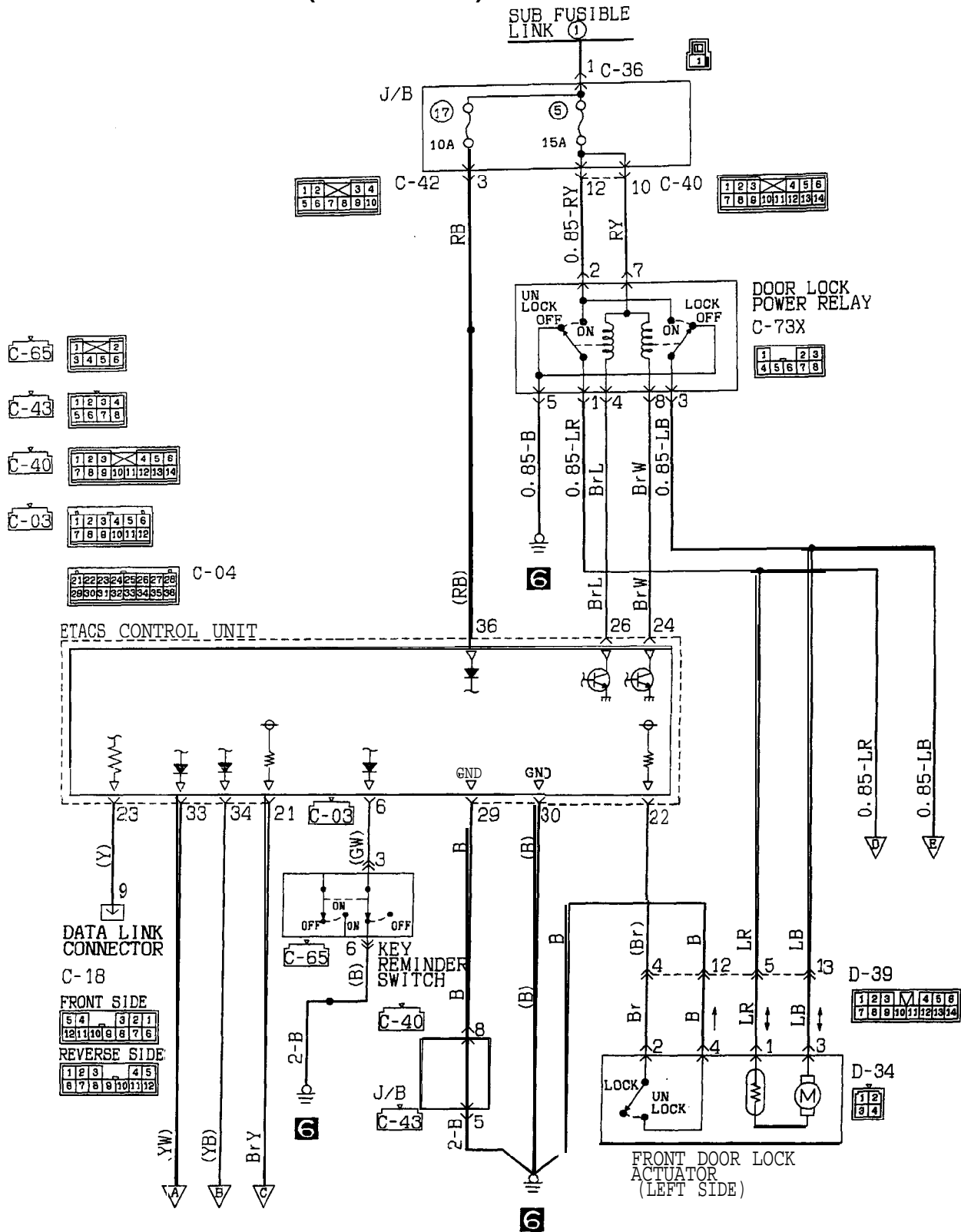
<Vehicles with ETACS (1989 models)>





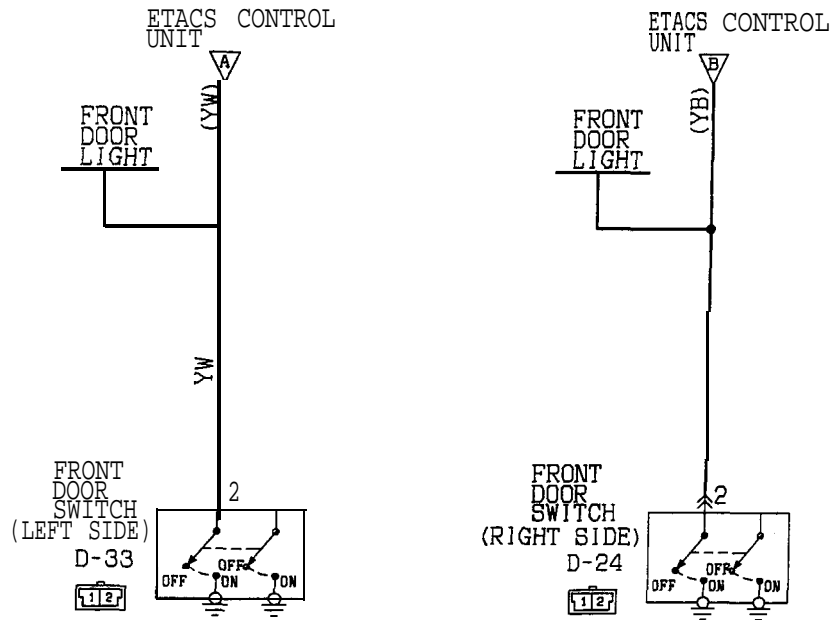
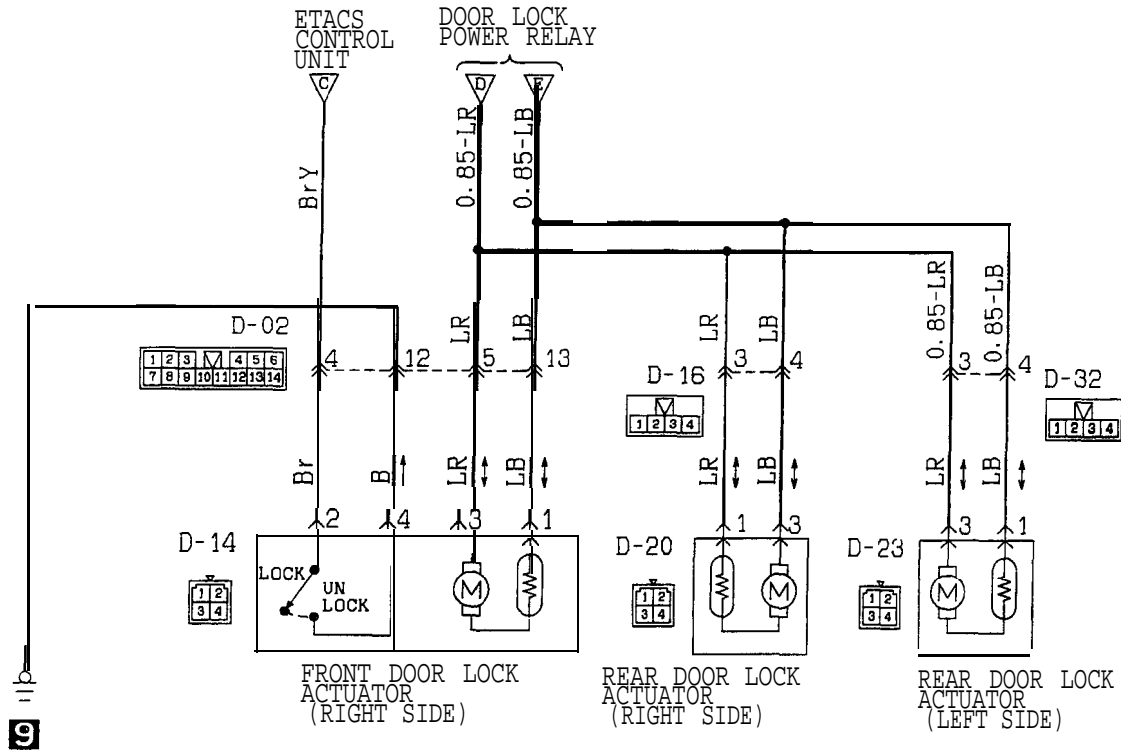
CENTRAL DOOR LOCKING CIRCUIT

<Vehicles with ETACS (1990 models)>



K35-AC-H1114-NM

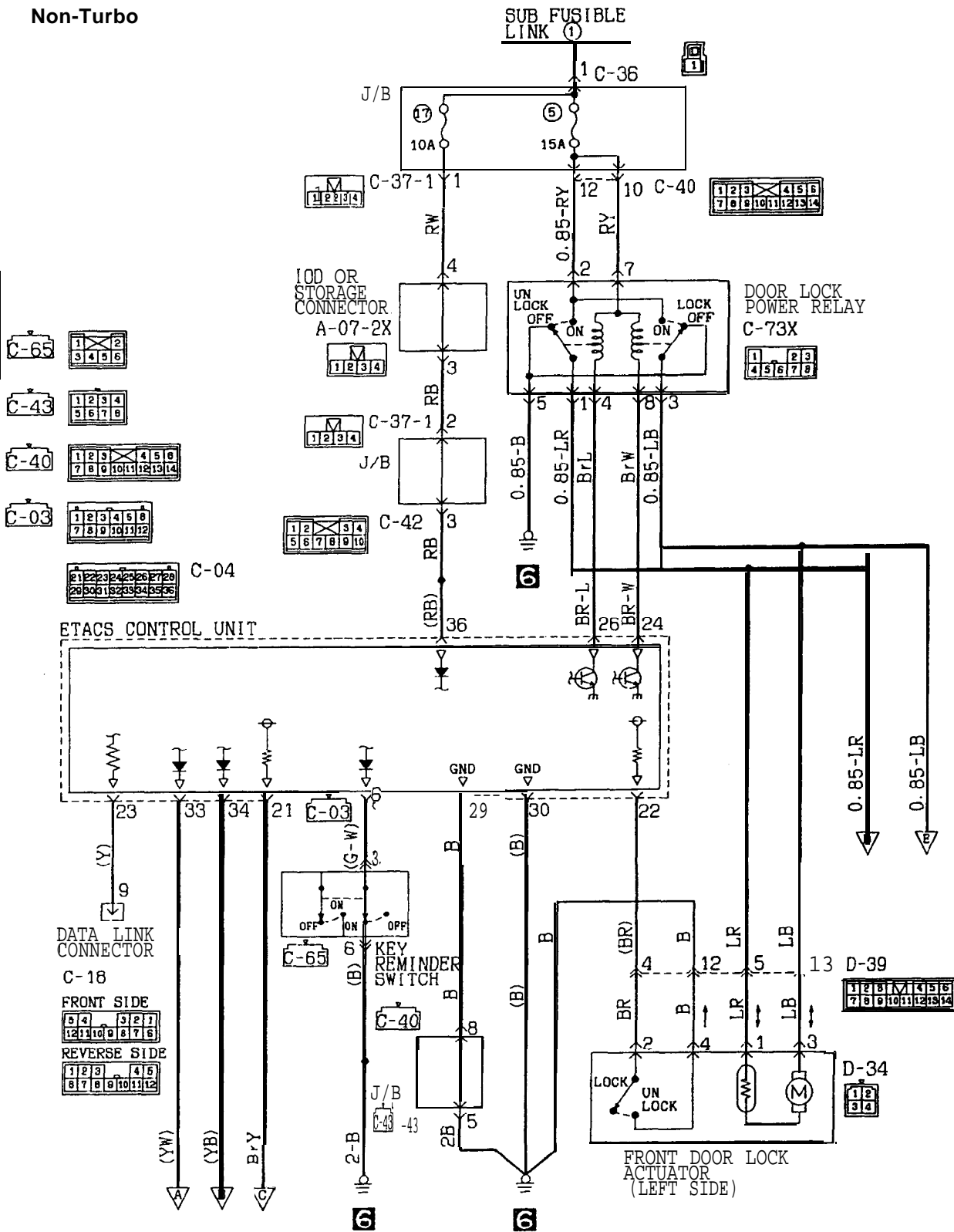
TSB Revision

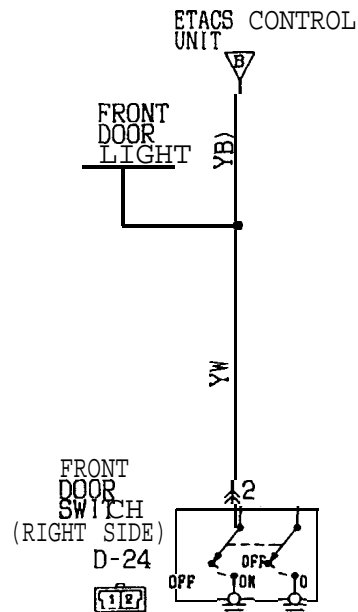
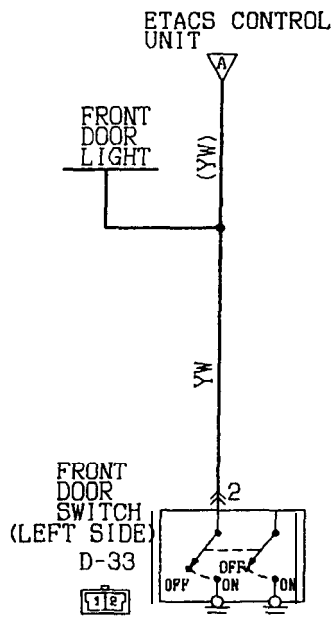
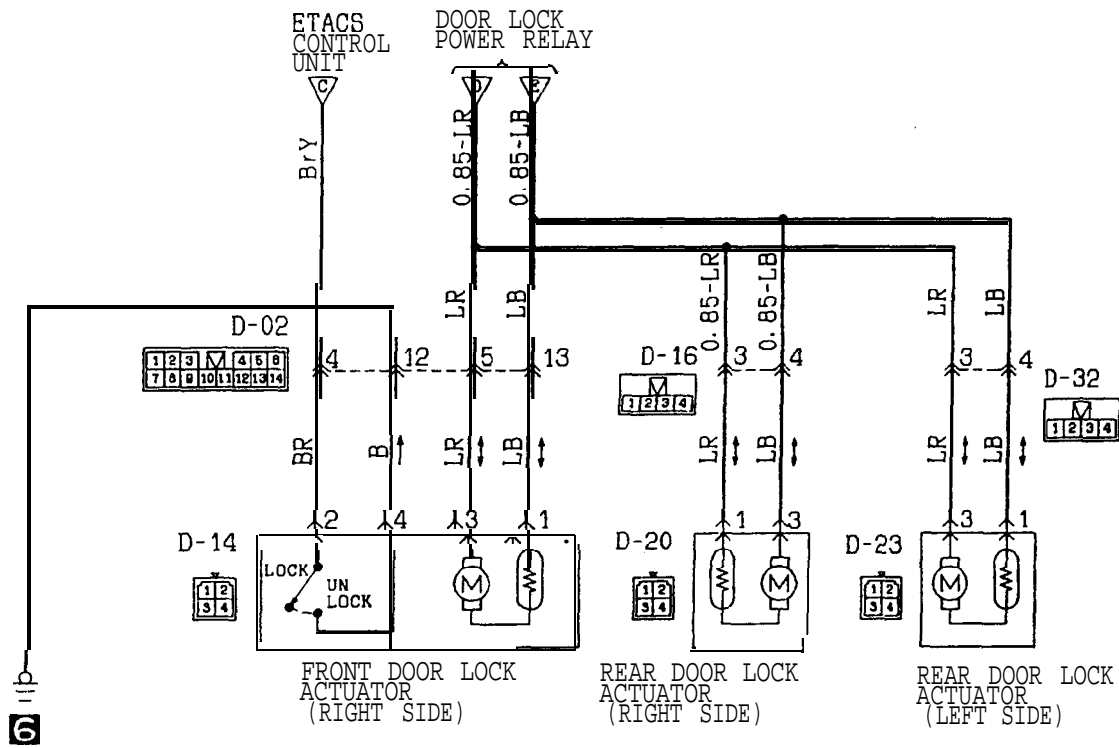


CENTRAL DOOR LOCKING CIRCUIT

<Vehicles with ETACS (From 1991 models)>

Non-Turbo

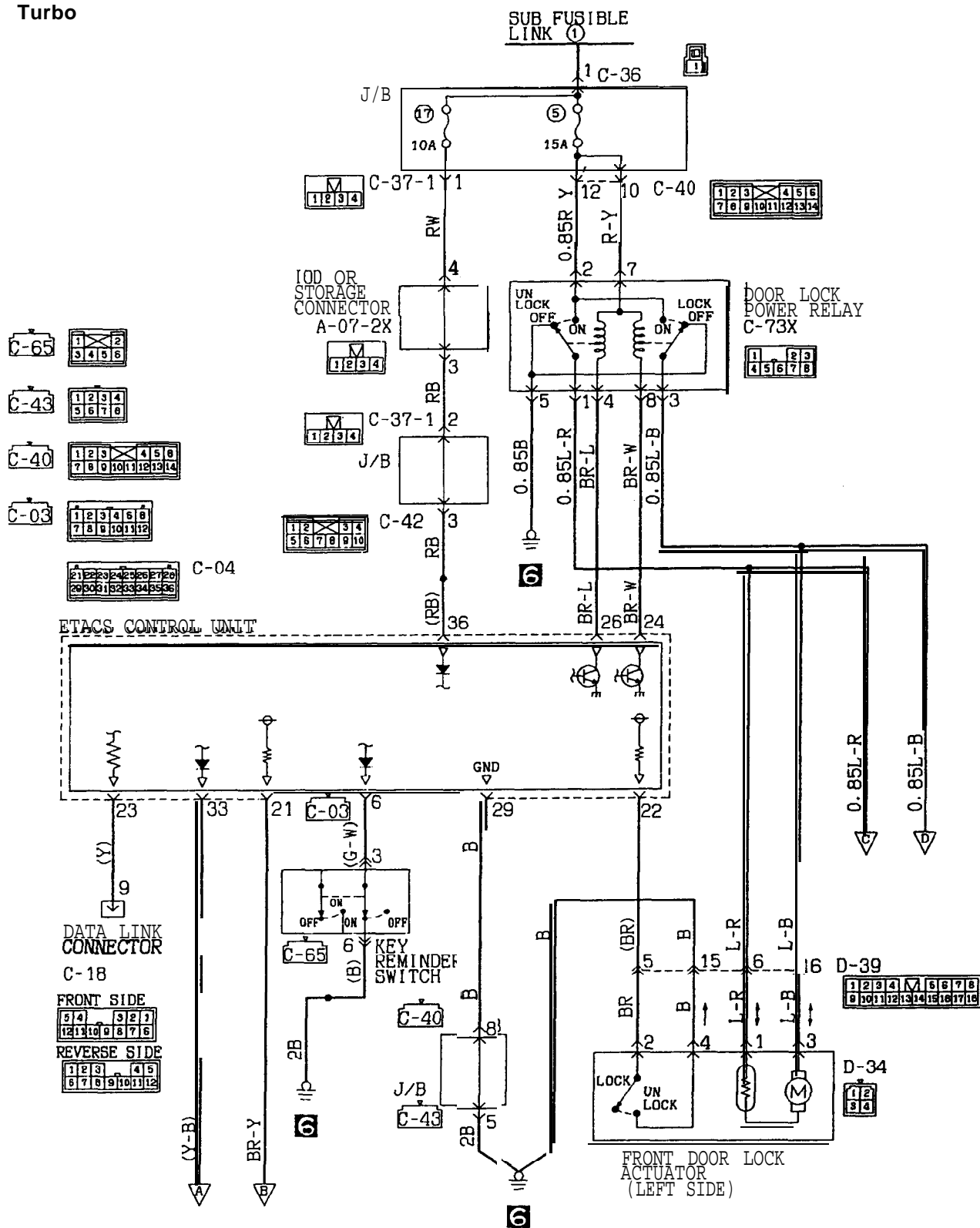


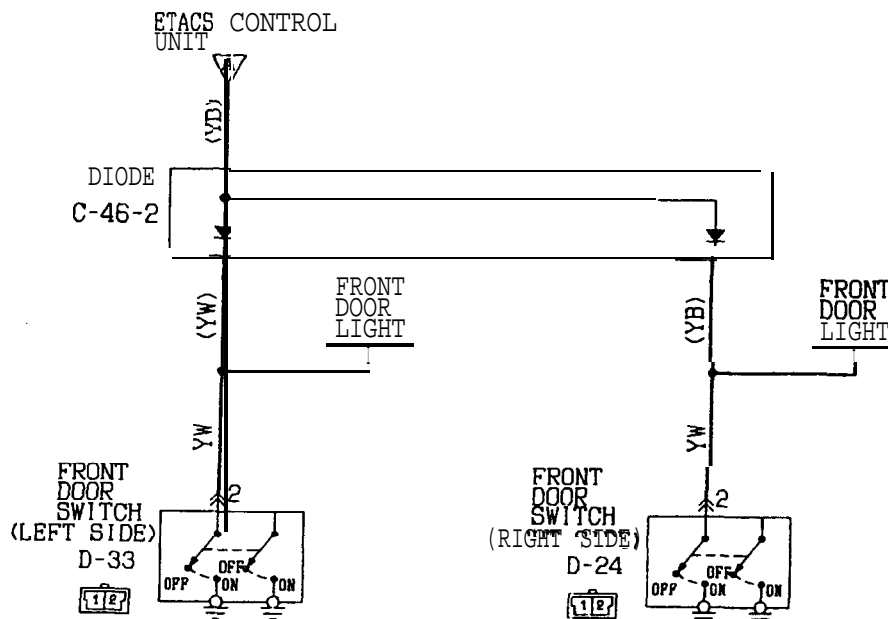
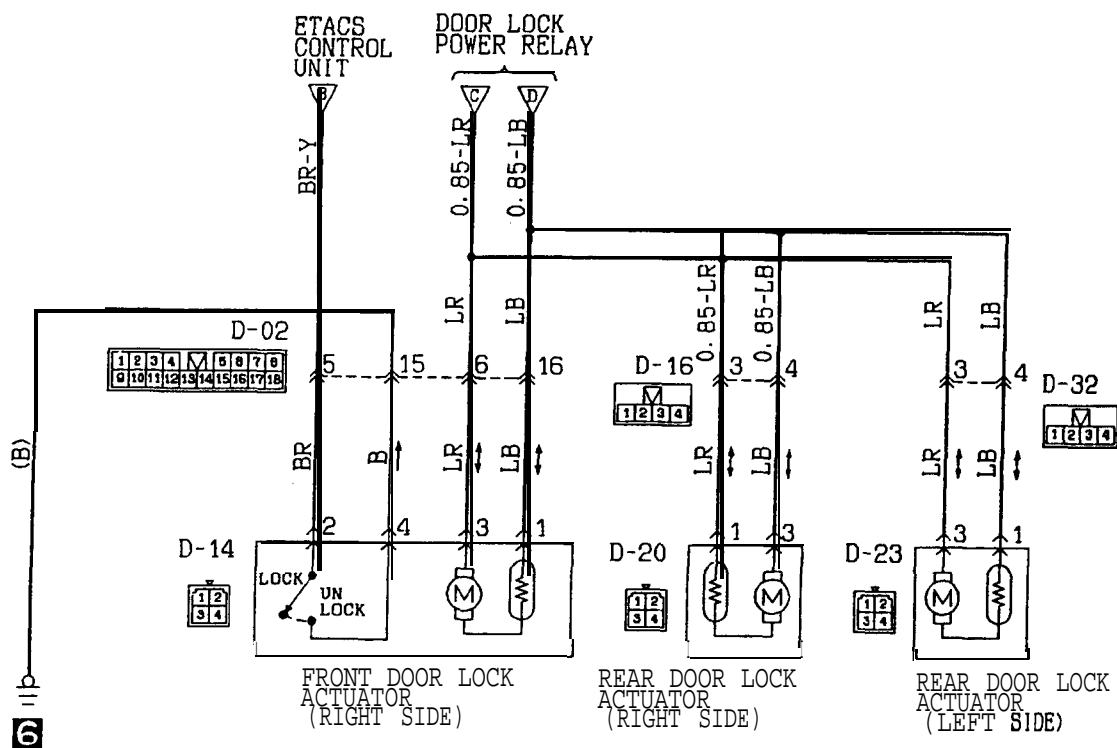


CENTRAL DOOR LOCKING CIRCUIT

<Vehicles with ETACS (1991 and 1992 models)>

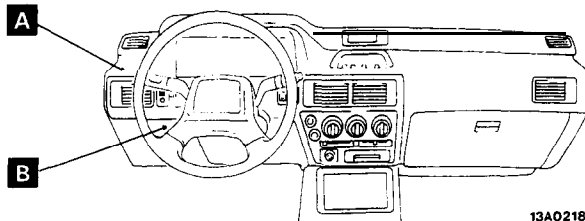
Turbo



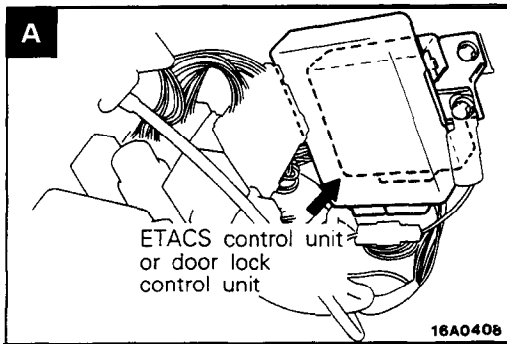


COMPONENT LOCATION

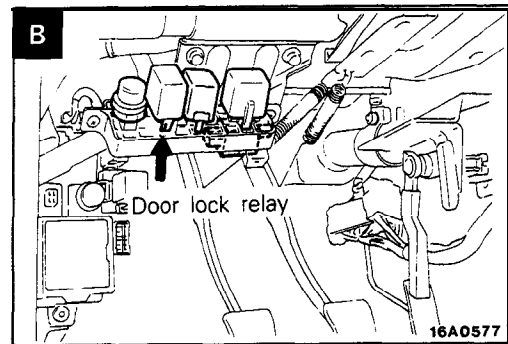
Name	Symbol	Name	Symbol
Door lock control unit <SOHC>	A	ETACS control unit <DOHC>	A
Door lock relay	B		



13A0218

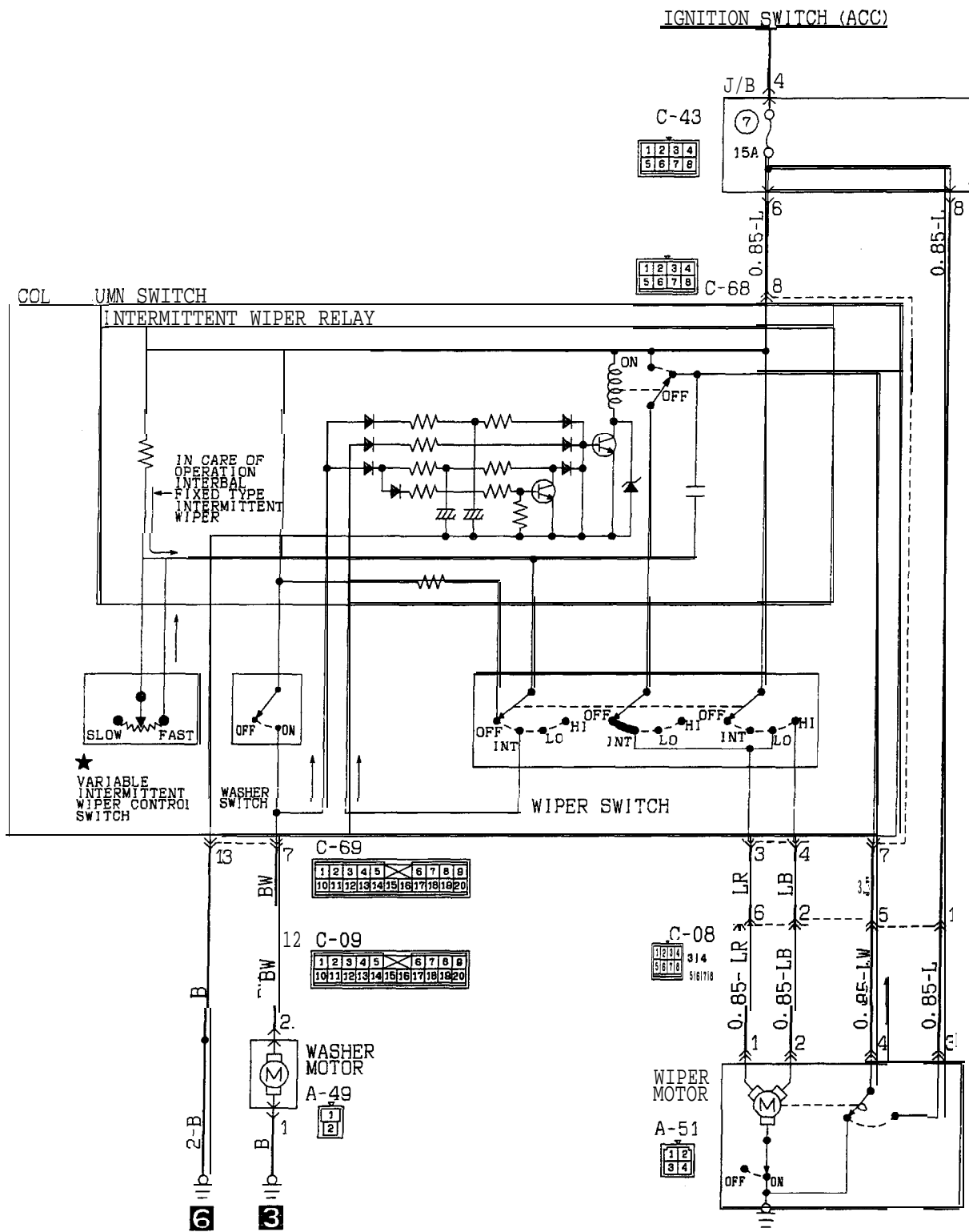


16A0408



16A0577

WIPER AND WASHER CIRCUIT (Vehicles without ETACS)

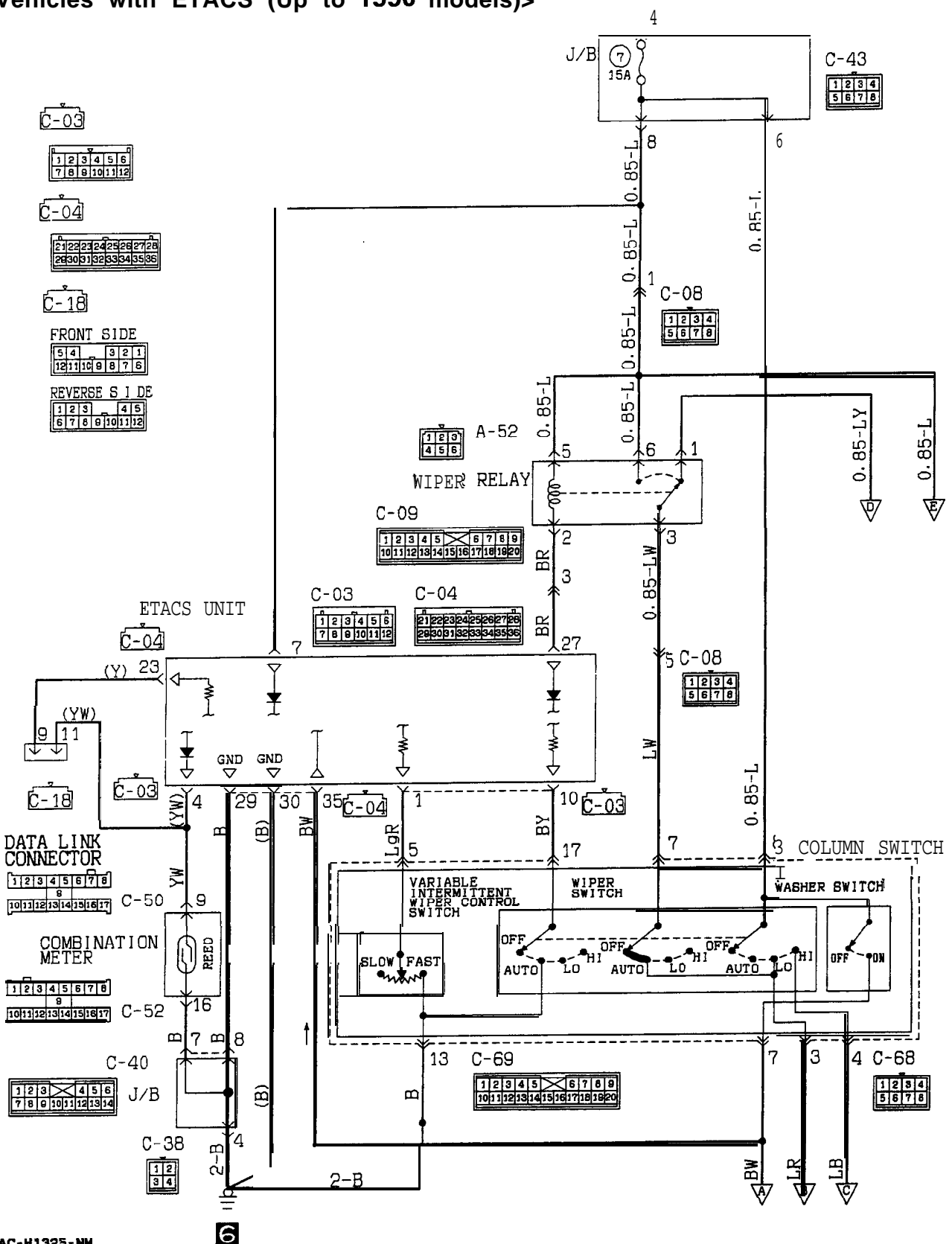


KX35-AC-H1324-NM

TSB Revision

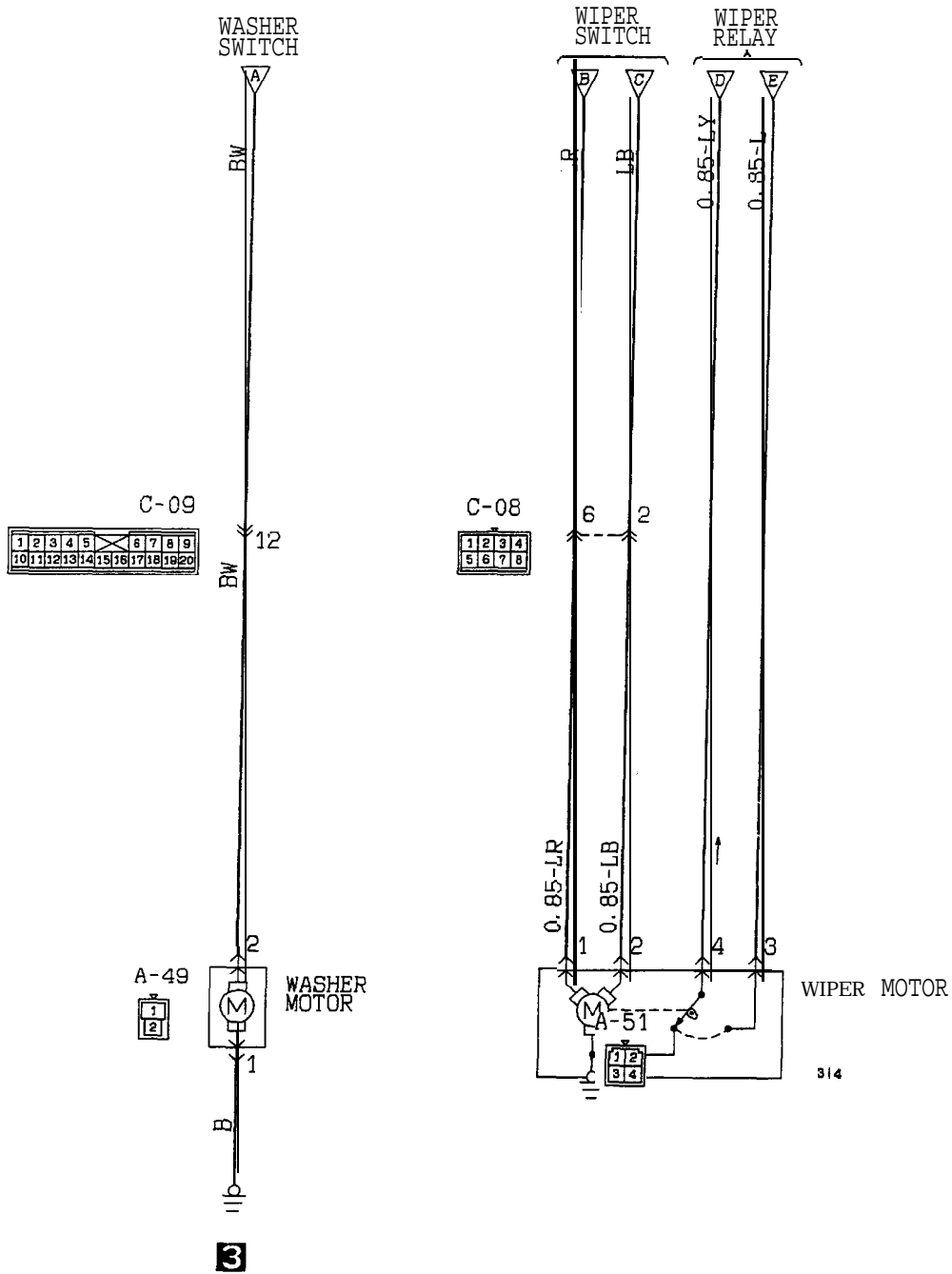
WIPER AND WASHER CIRCUIT

<Vehicles with ETACS (Up to 1990 models)> -IGNITION SWITCH (ACC)



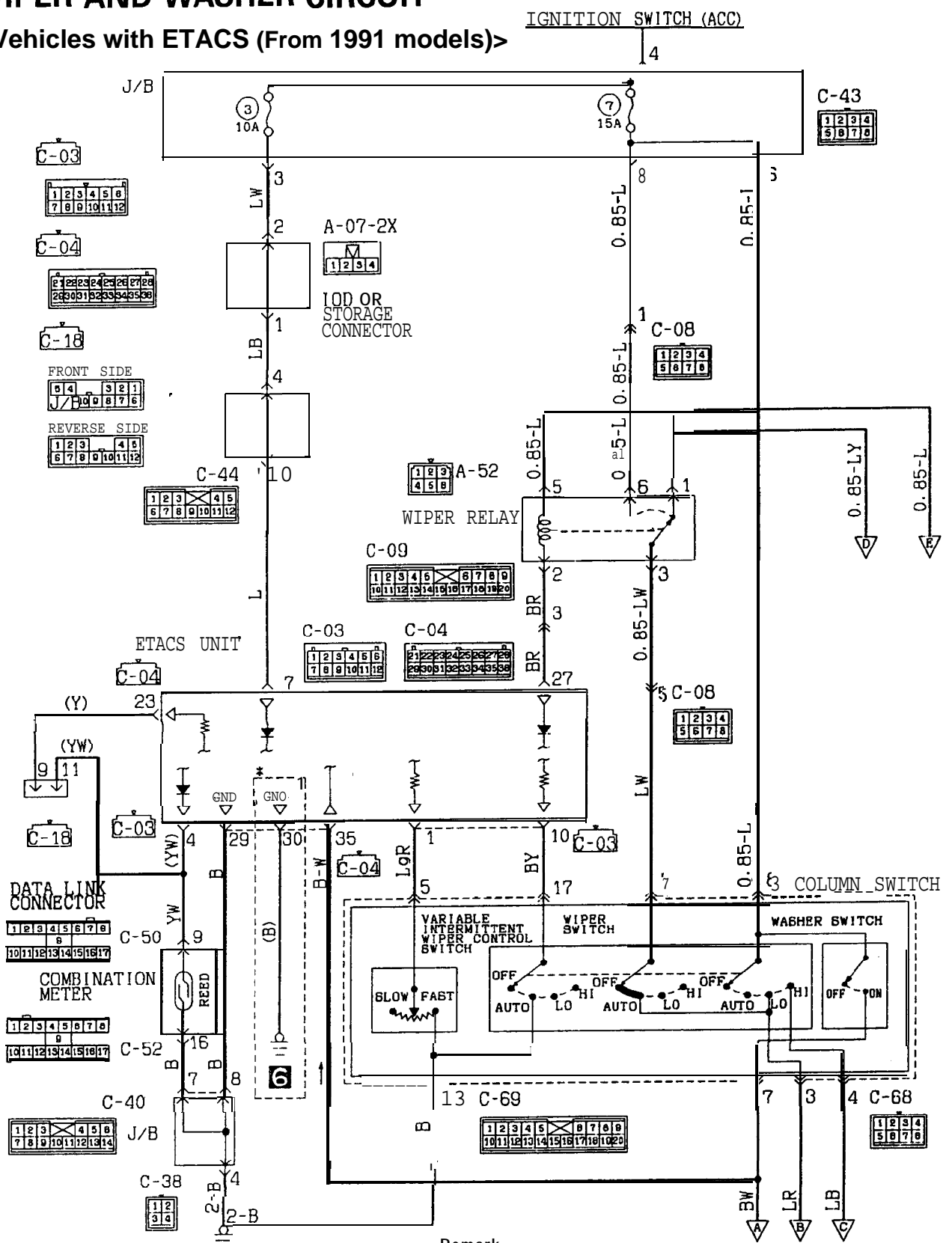
(35-AC-H1325-NM)

TSB Revision



WIPER AND WASHER CIRCUIT

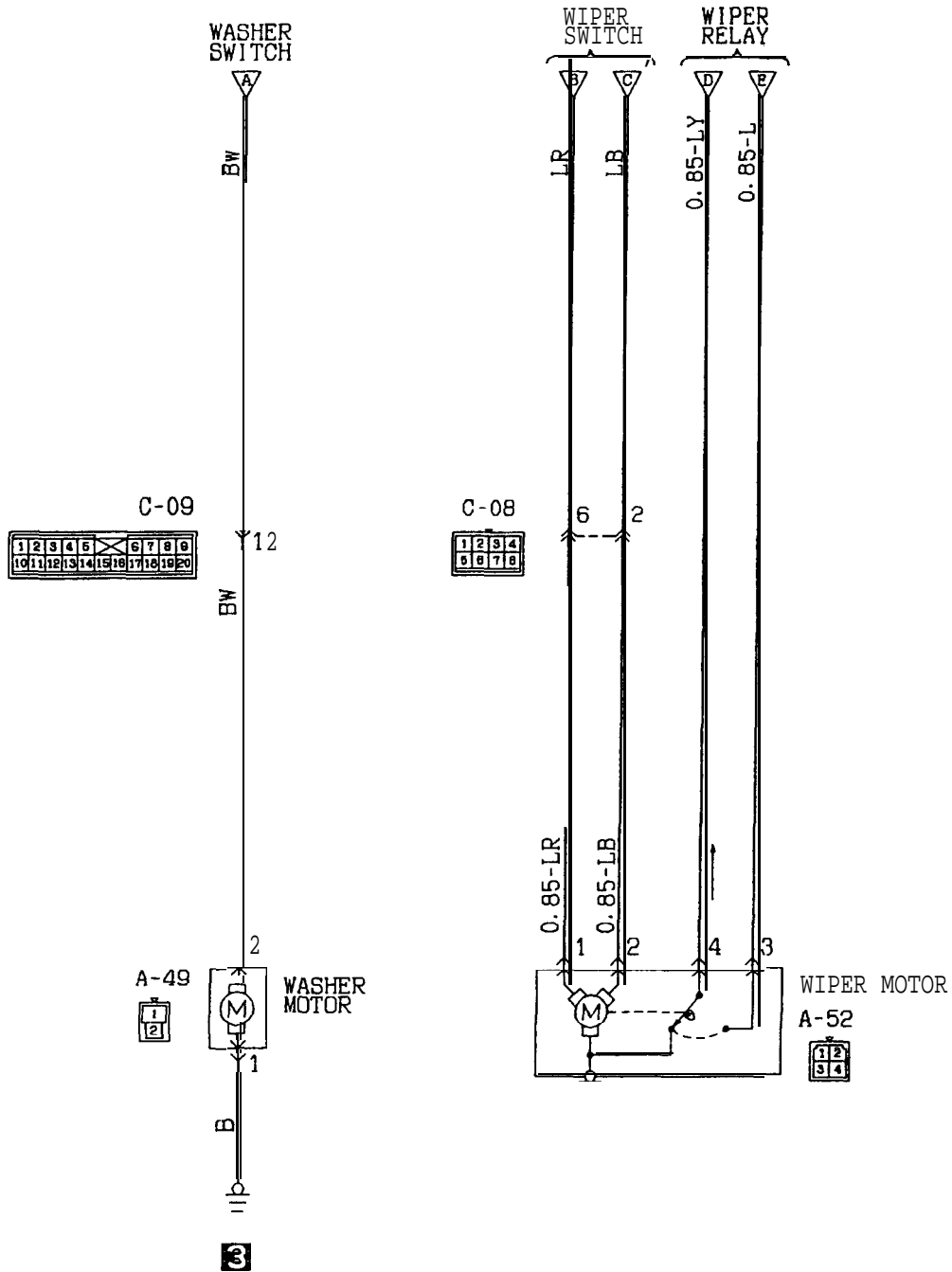
<Vehicles with ETACS (From 1991 models)>



Remark
* mark indicates vehicles without THEFT-ALARM SYSTEM

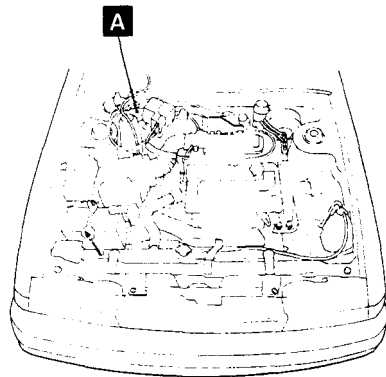
X35-AC-H1334-NM

TSB Revision

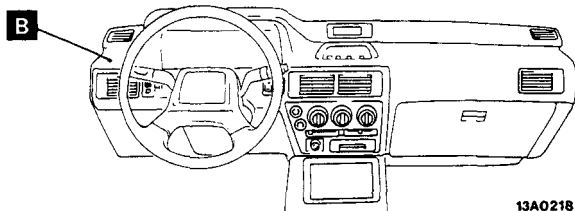
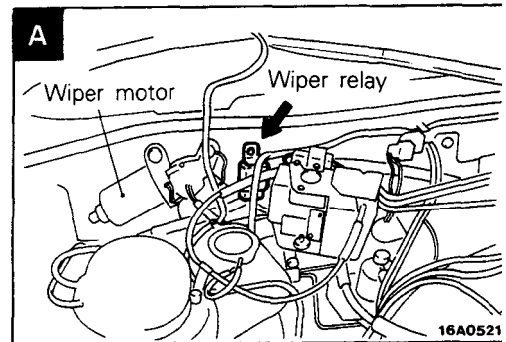


COMPONENT LOCATION

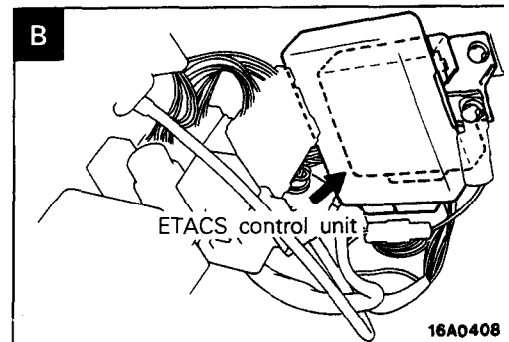
Name	Symbol	Name	Symbol
ETACS control unit	B	Wiper relay	A



07A0035

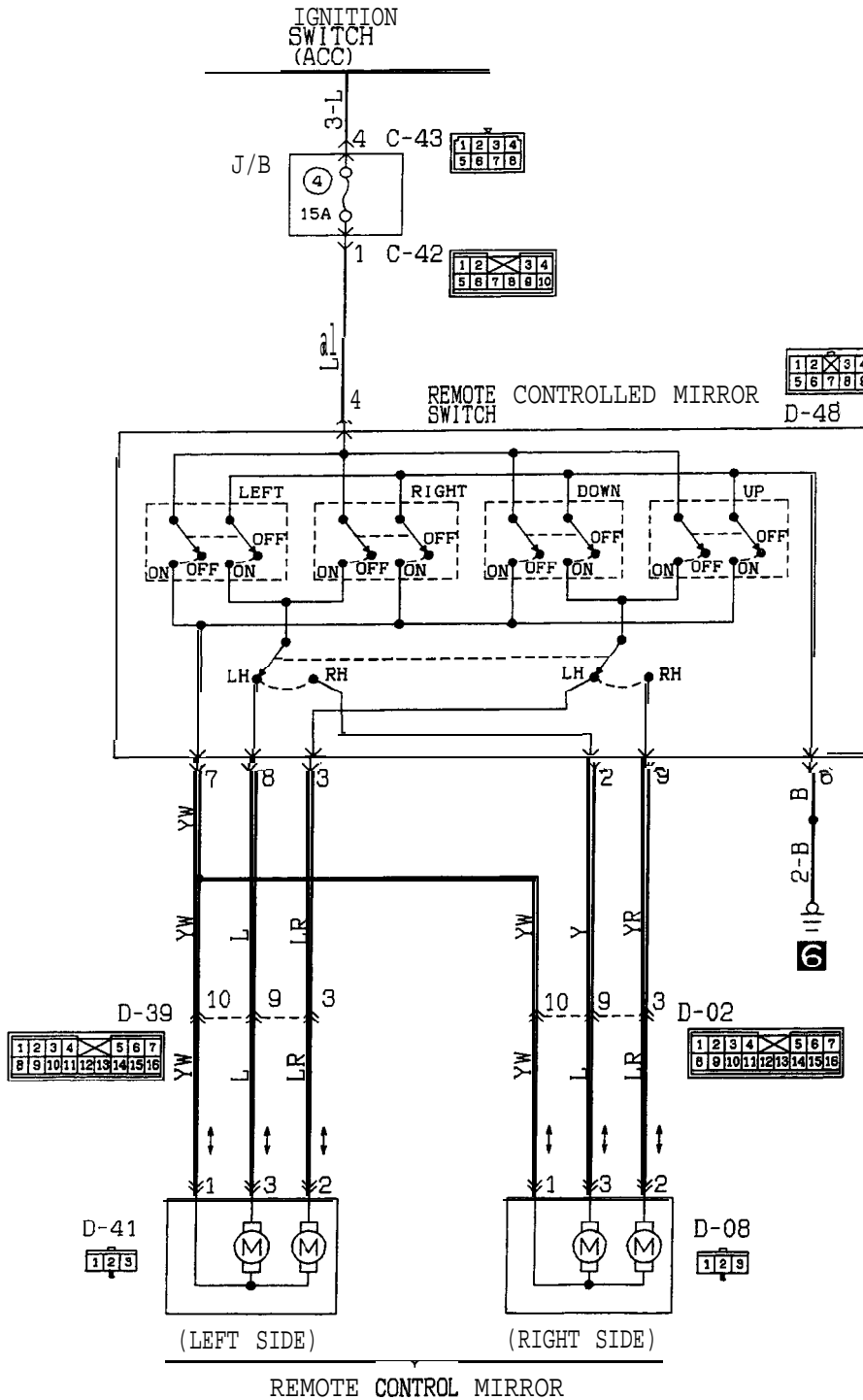


13A0218



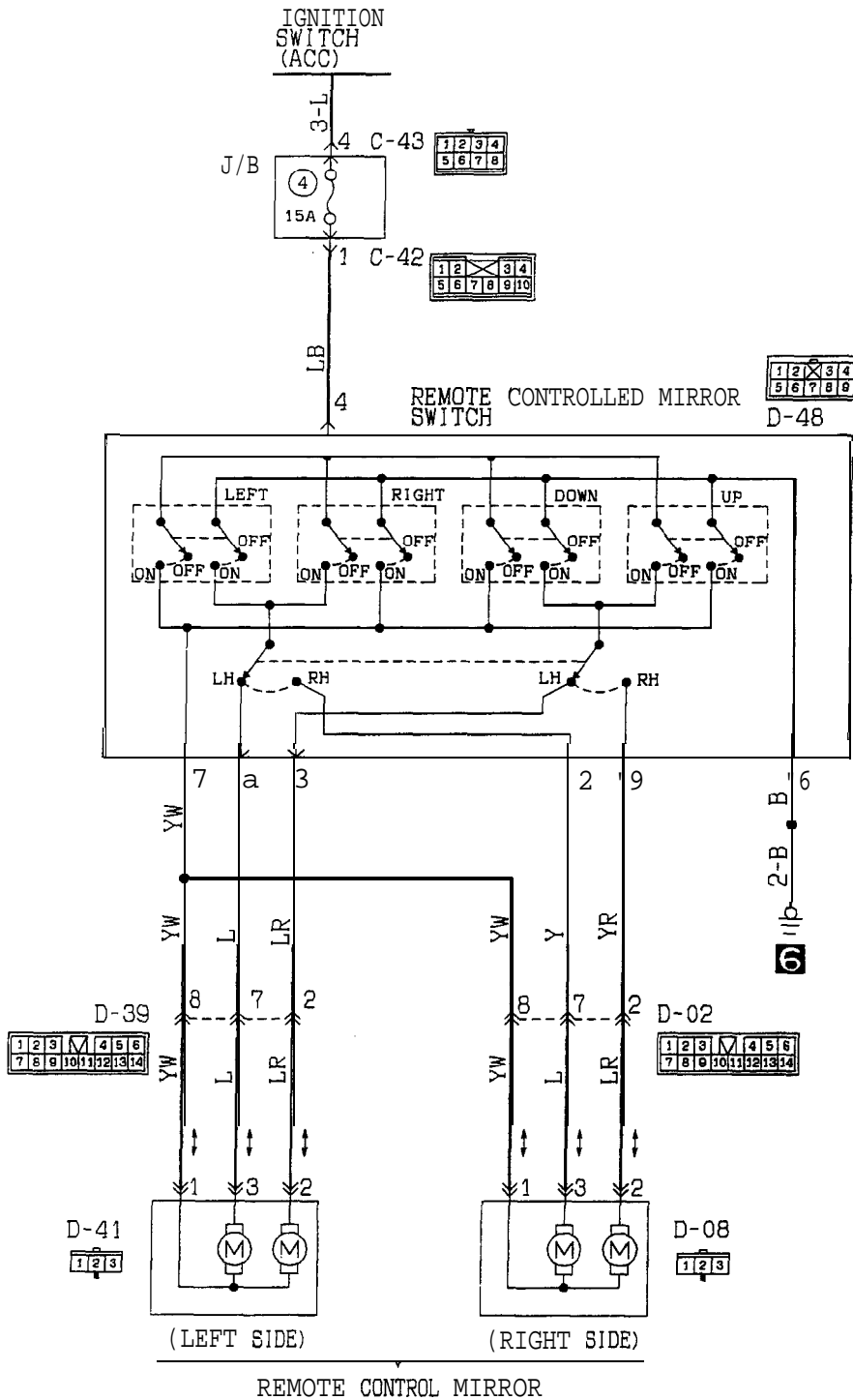
REMOTE CONTROLLED MIRROR CIRCUIT

< 1989 models >

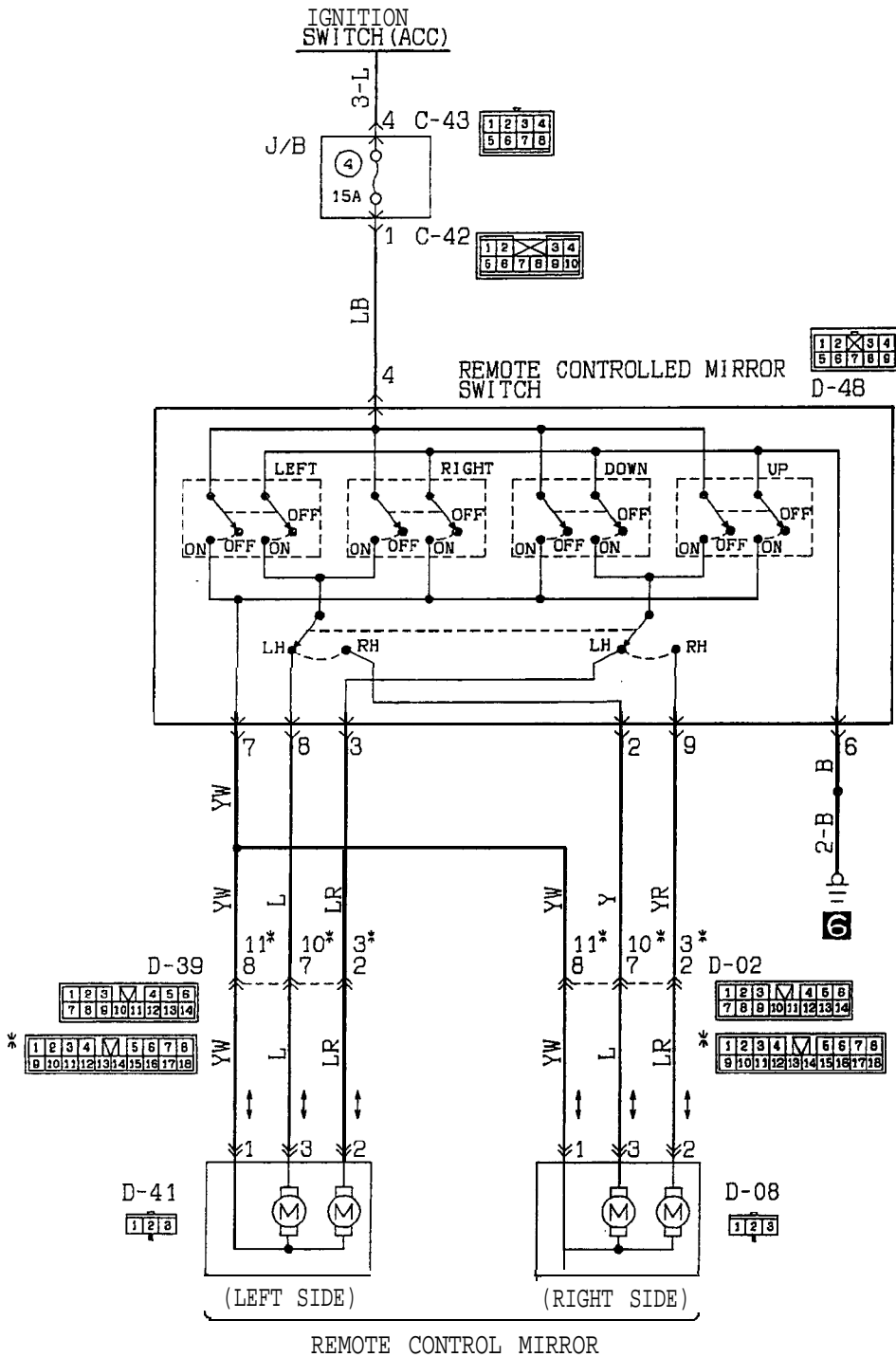


REMOTE CONTROLLED MIRROR CIRCUIT

(1990 models)



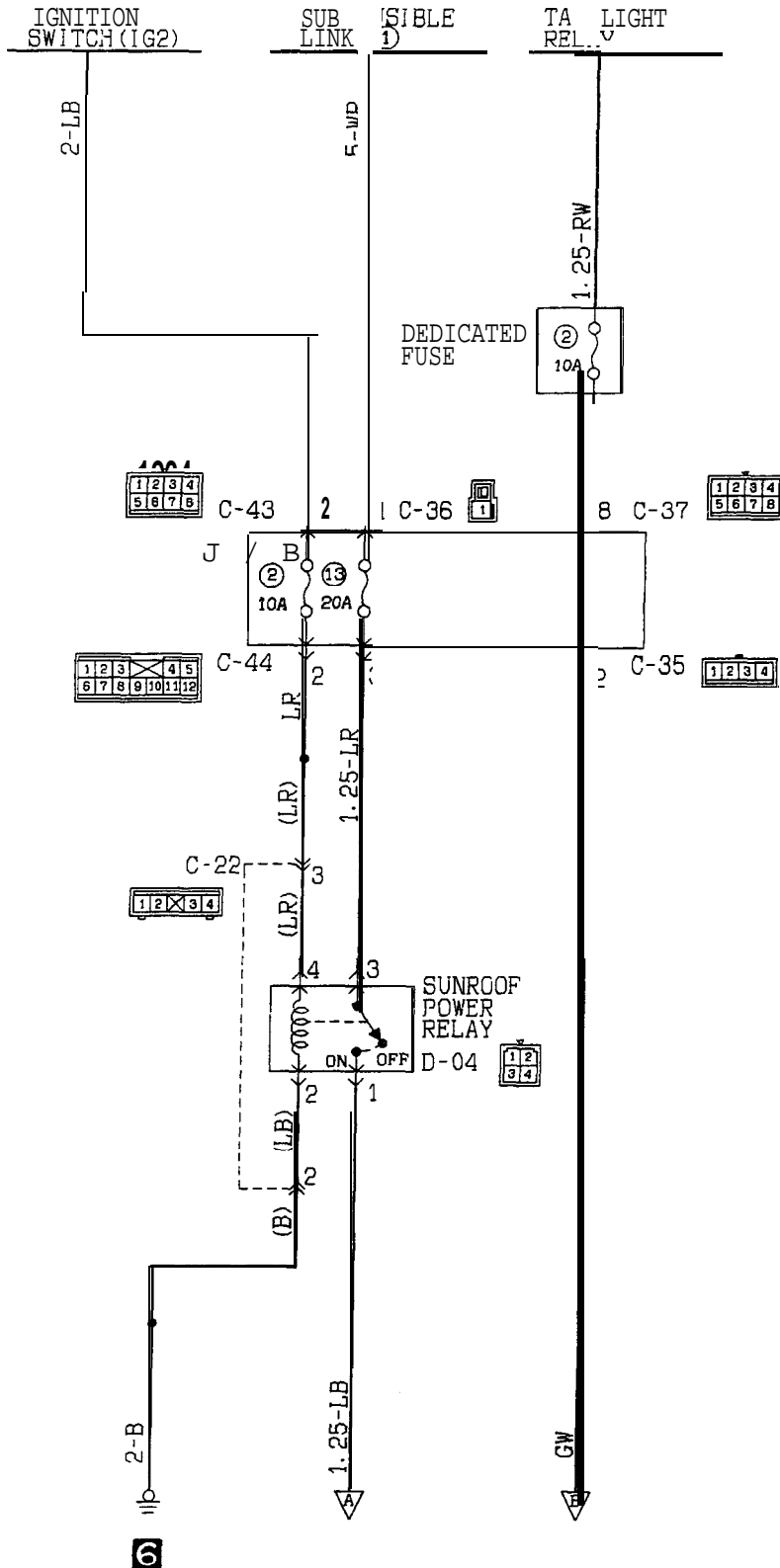
(From 1991 models)

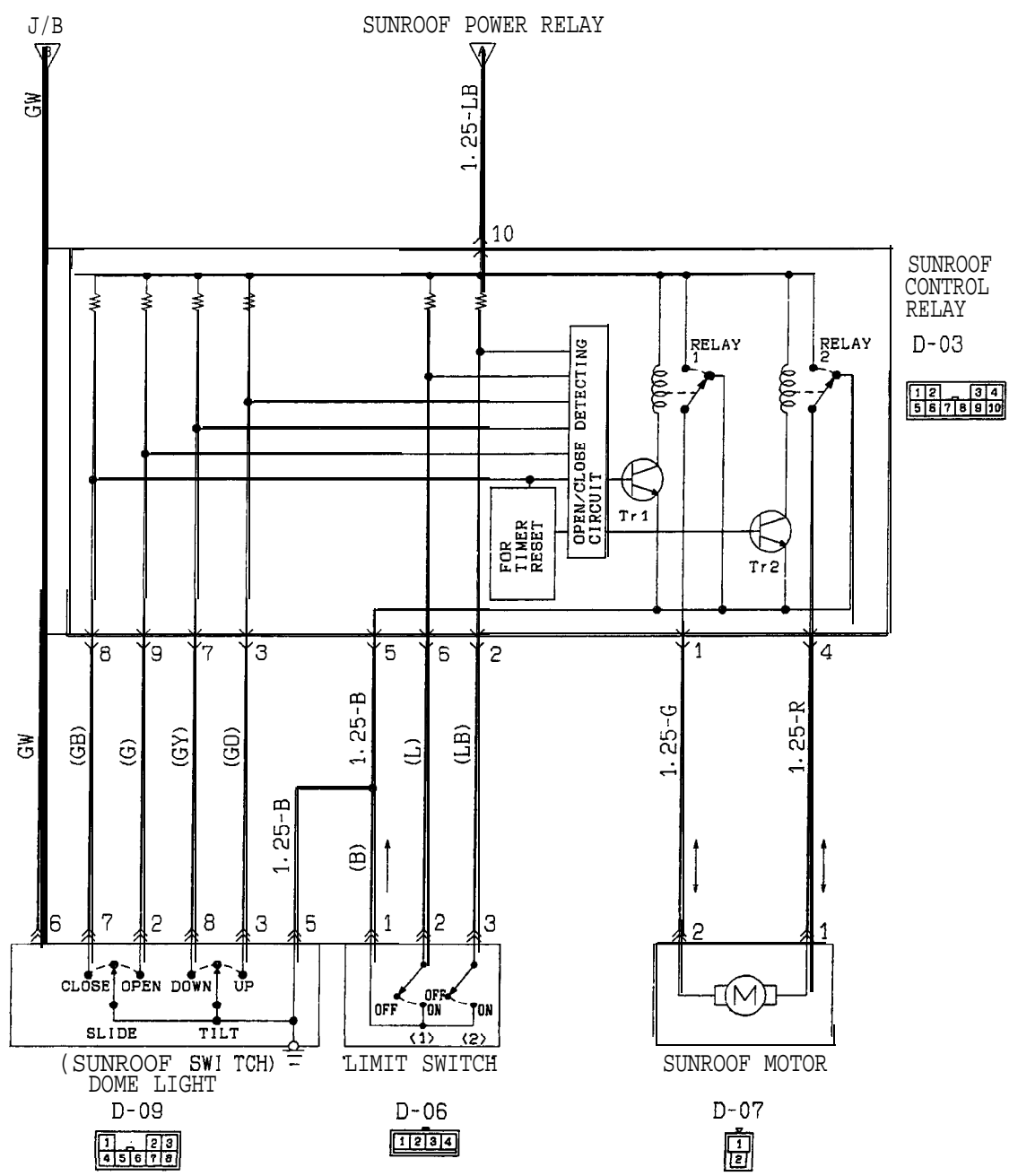


Remark
 *Mark indicates vehicles with THEFT-ALARM SYSTEM

SUNROOF CIRCUIT

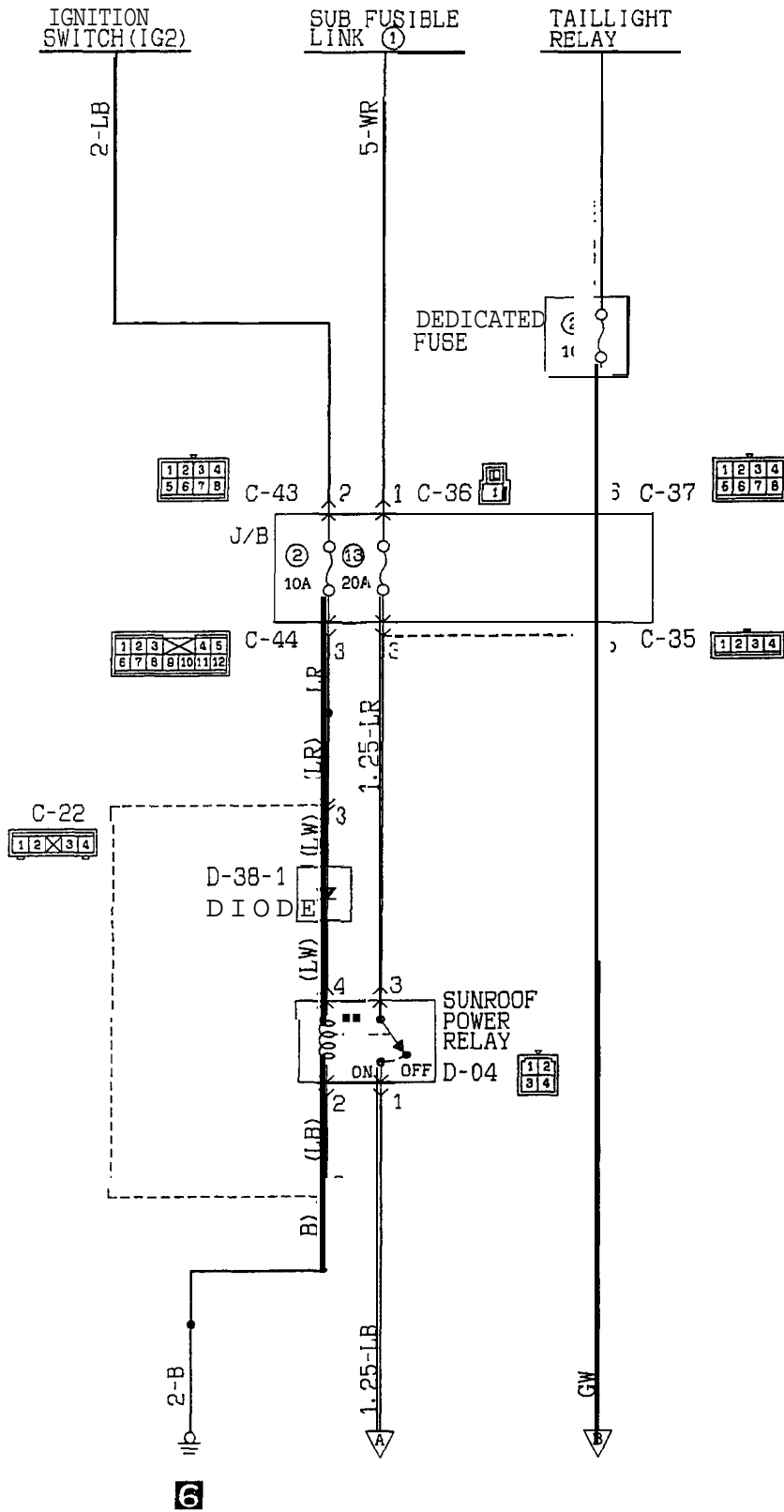
<Vehicles without ETACS (Up to 1990 models)>

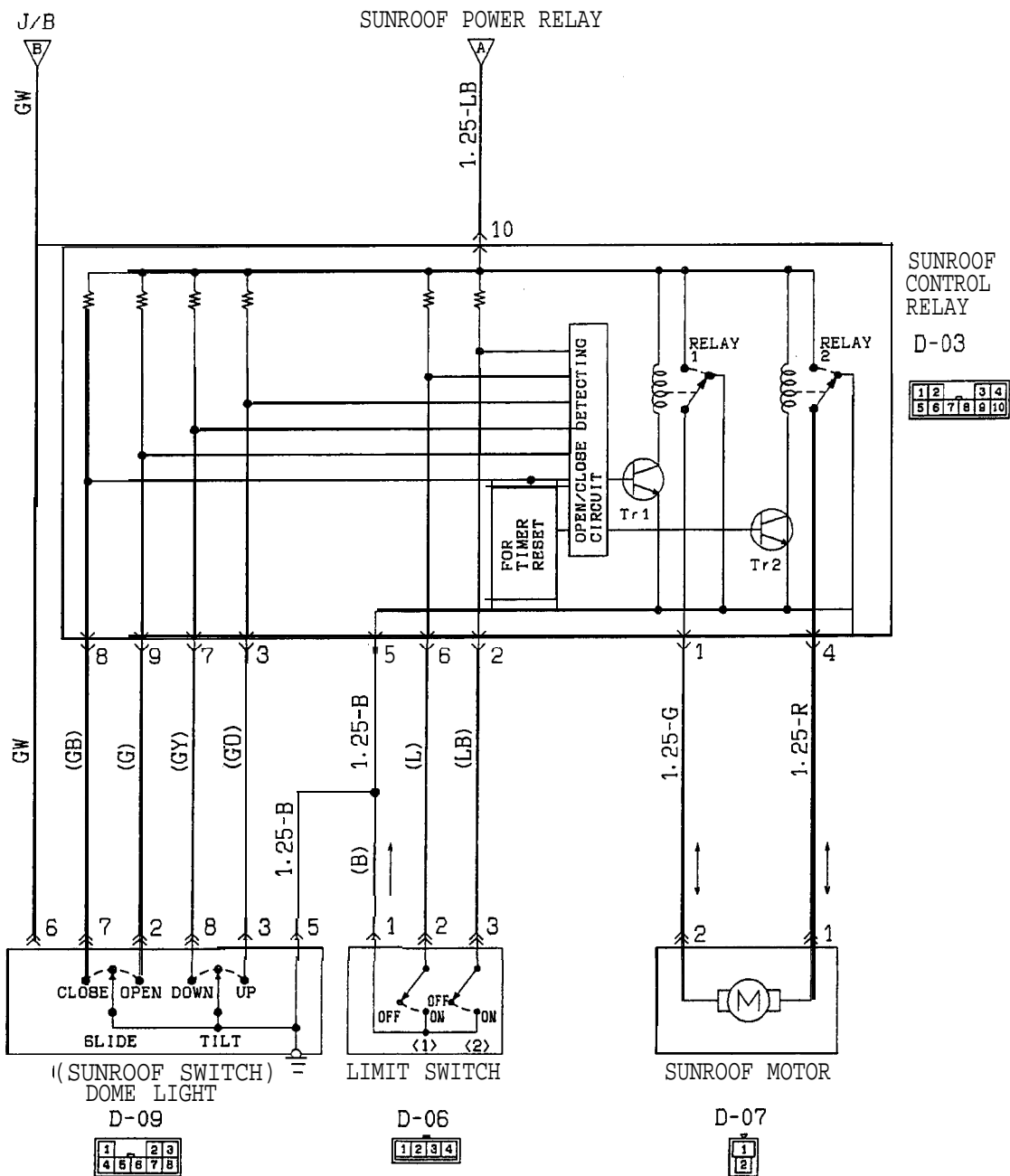




SUNROOF CIRCUIT

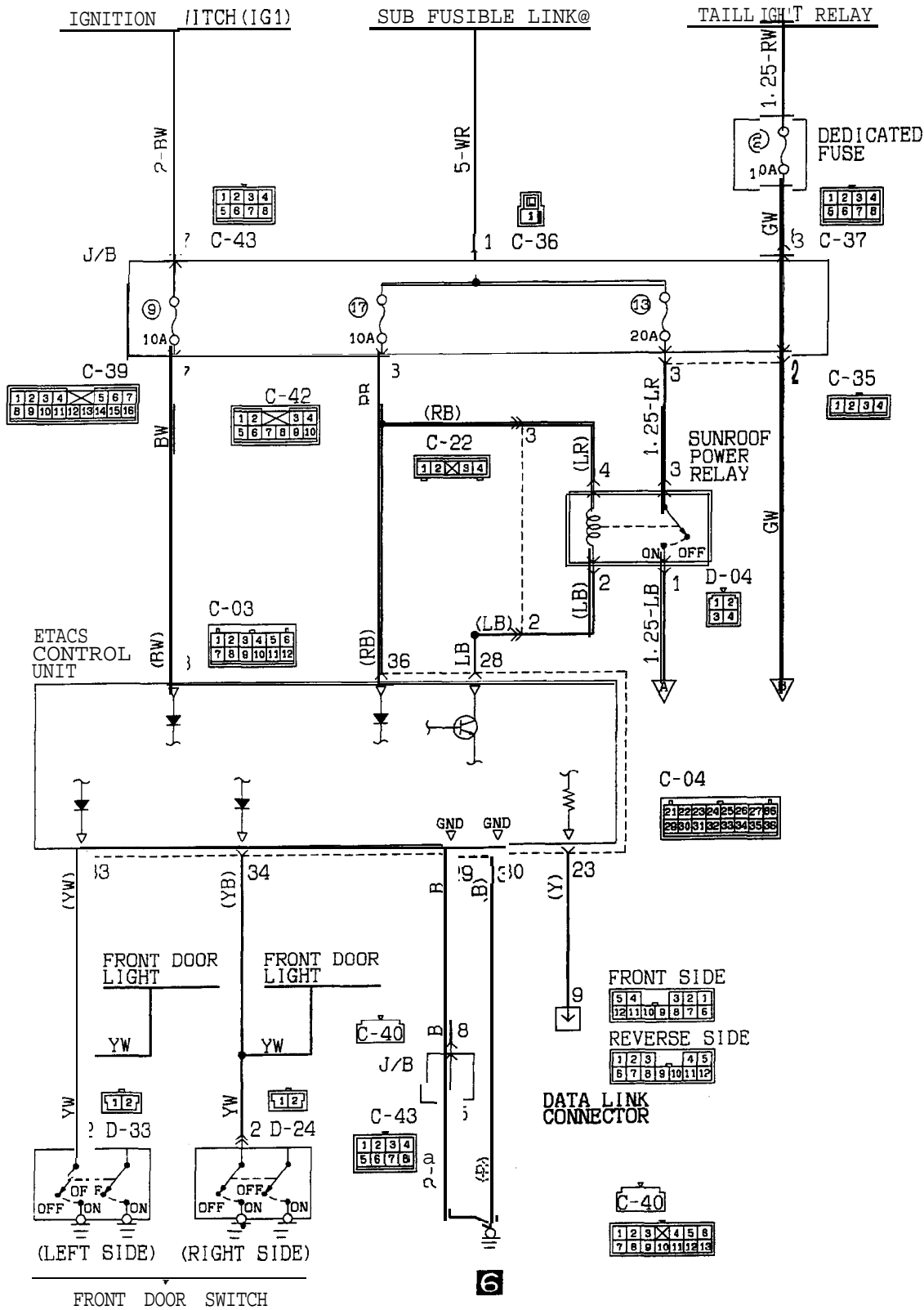
<Vehicles without ETACS (From 1991 models)>

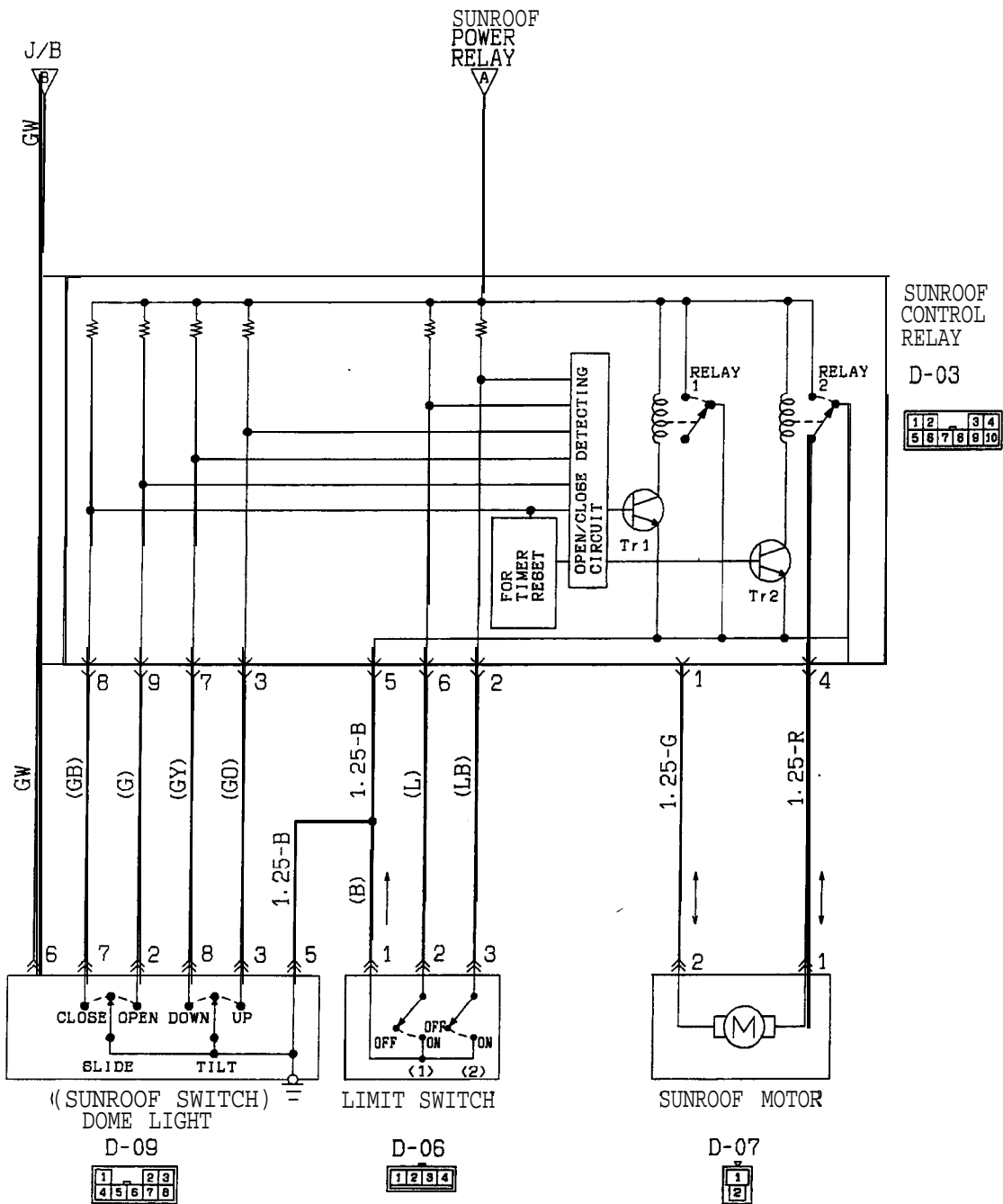




SUNROOF CIRCUIT

<Vehicles with ETACS (Up to 1990 models)>

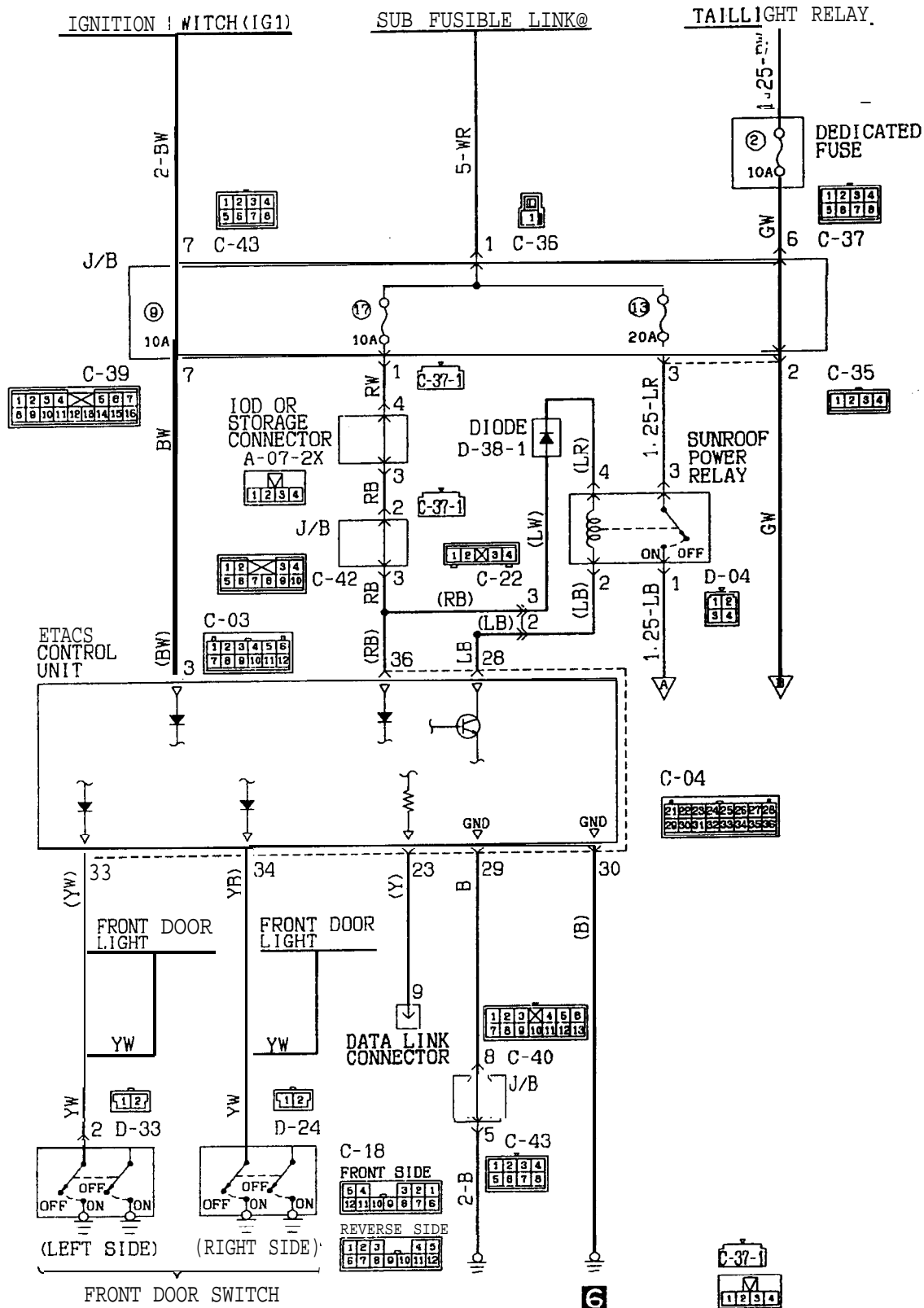


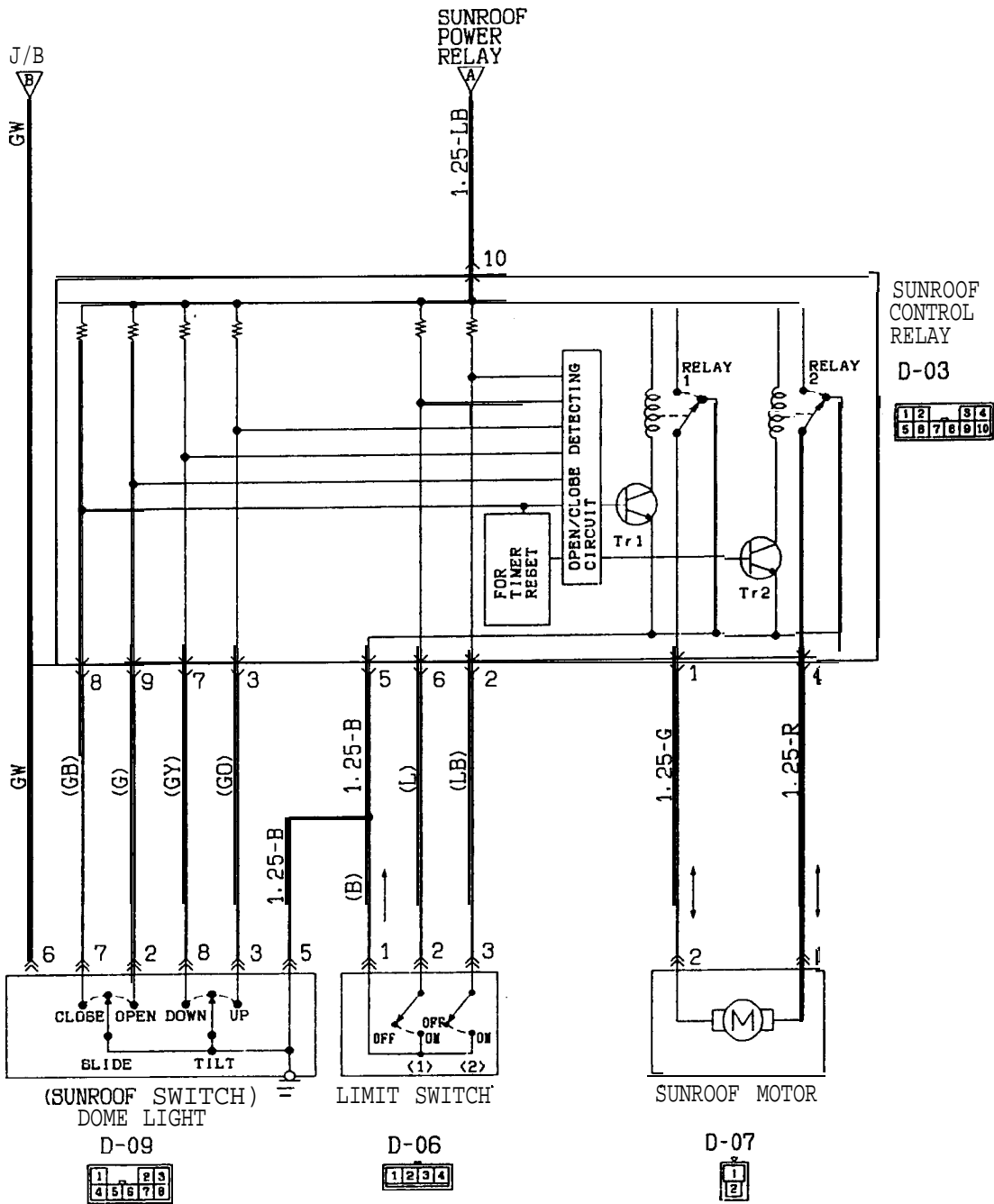


SUNROOF CIRCUIT

<Vehicles with ETACS (From 1991 models)>

Non-Turbo

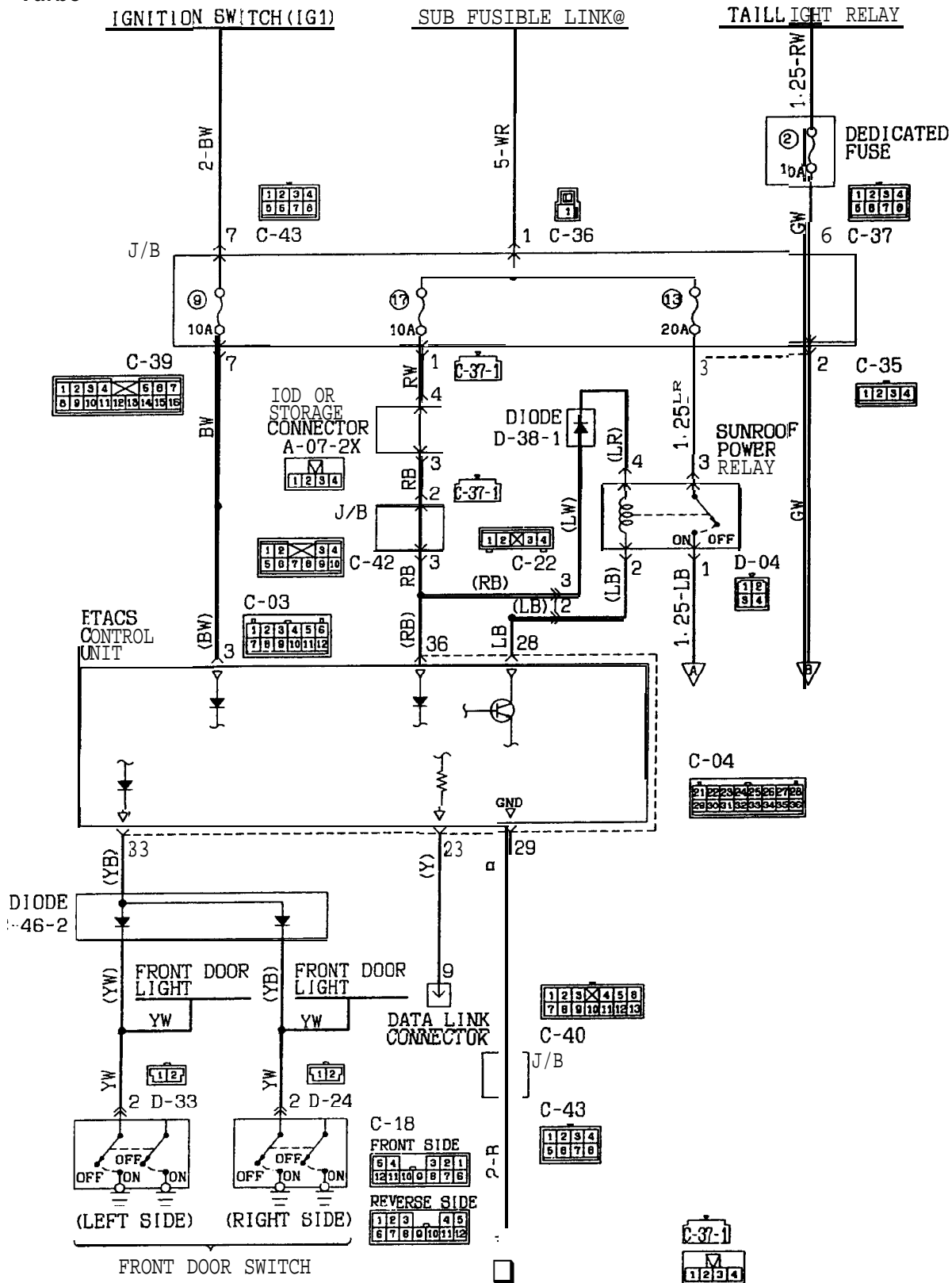


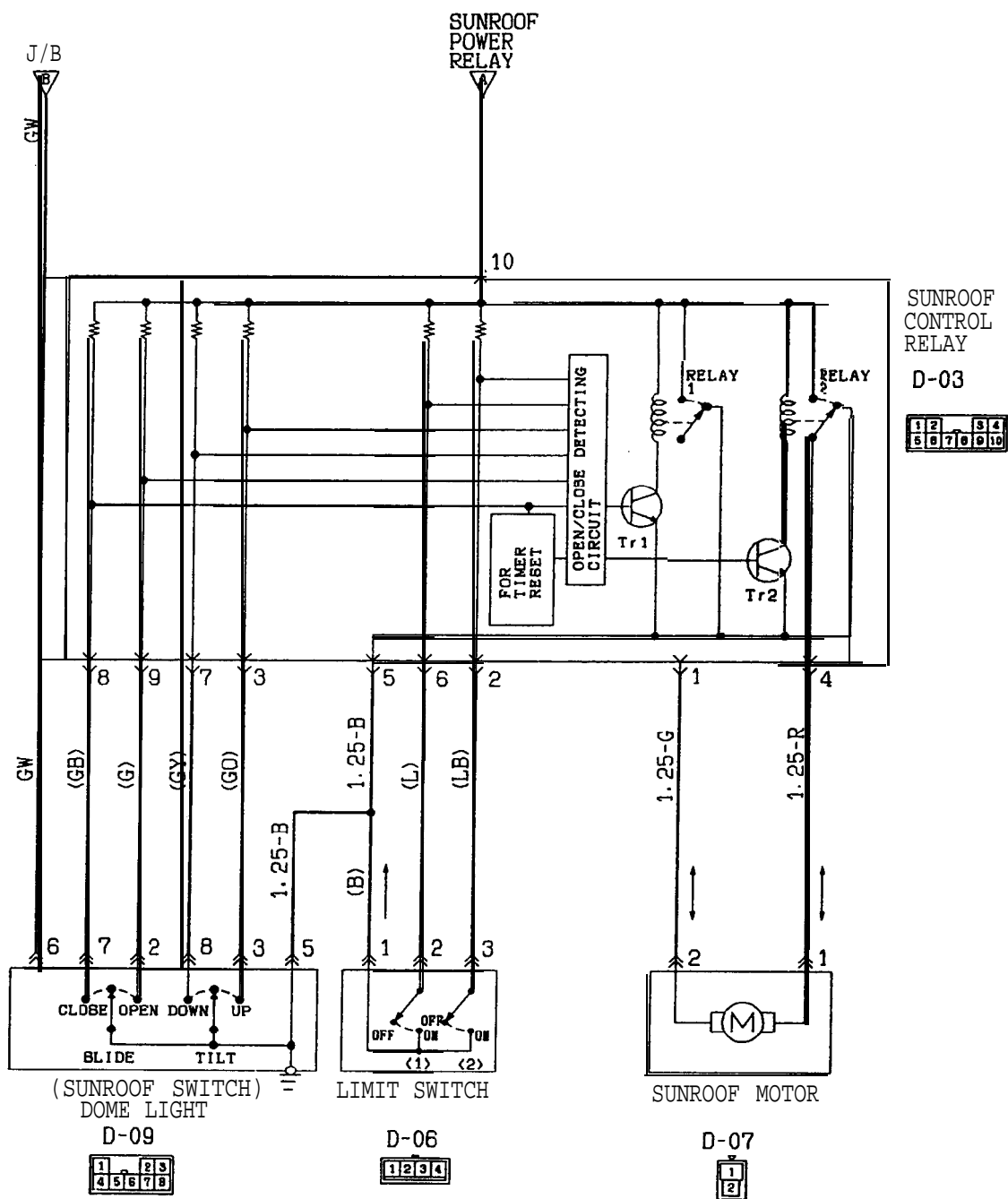


SUNROOF CIRCUIT

<Vehicles with ETACS (From 1991 models)>

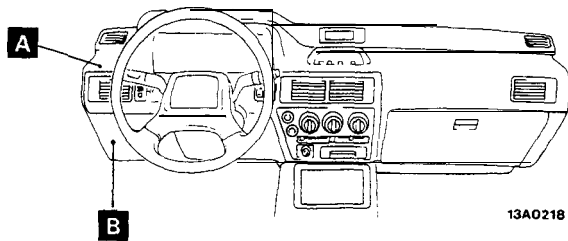
Turbo



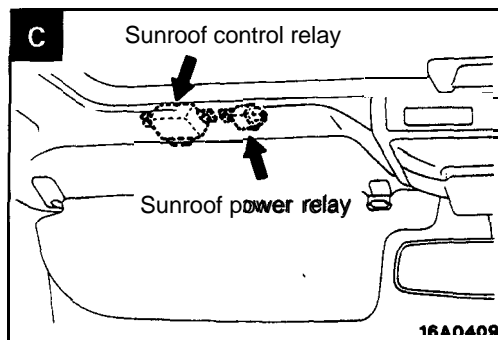
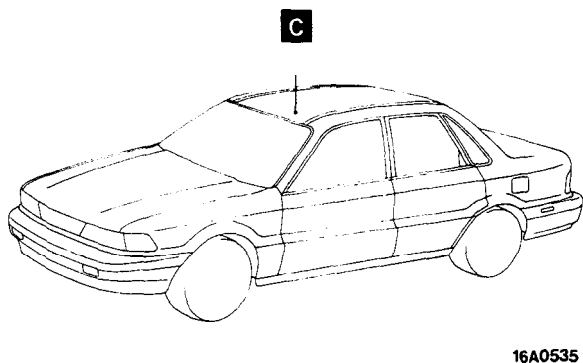
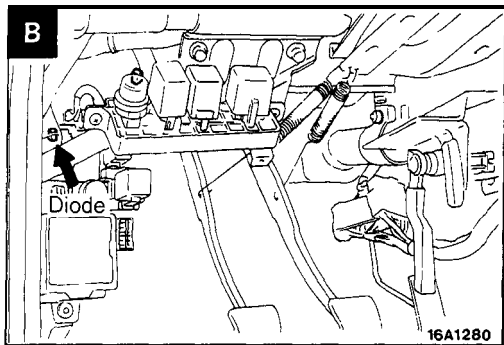
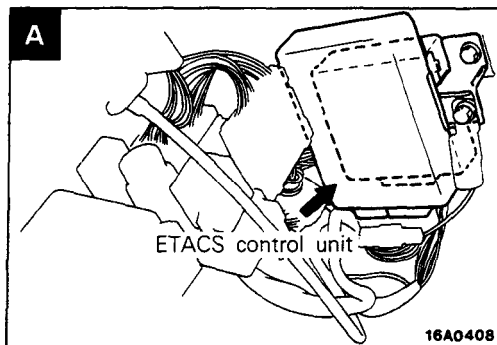


COMPONENT LOCATION

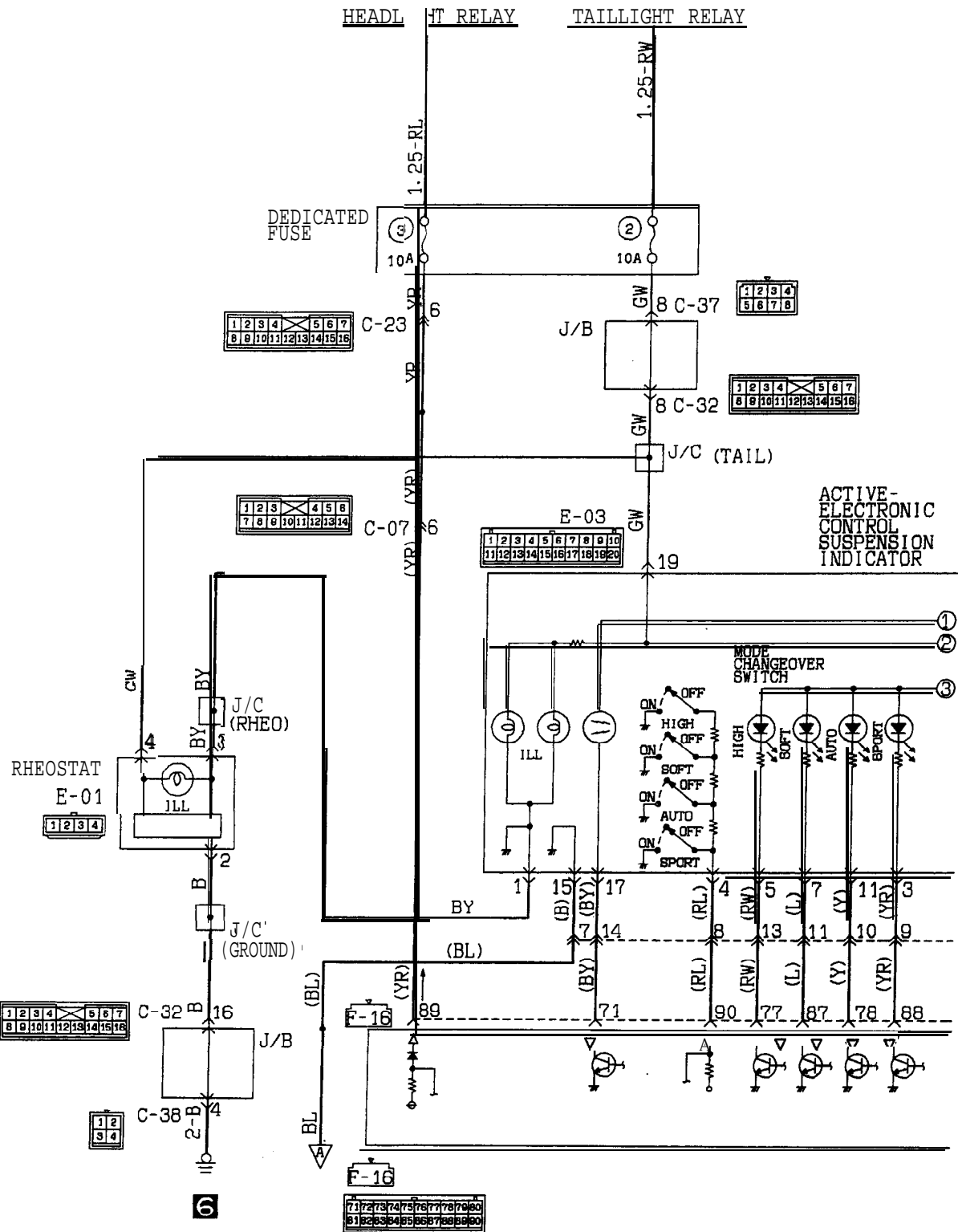
Name	Symbol	Name	Symbol
Diode (From 1991 models)	B	Sunroof control relay	C
ETACS control unit	A	Sunroof power relay	C



<From 1991 models>



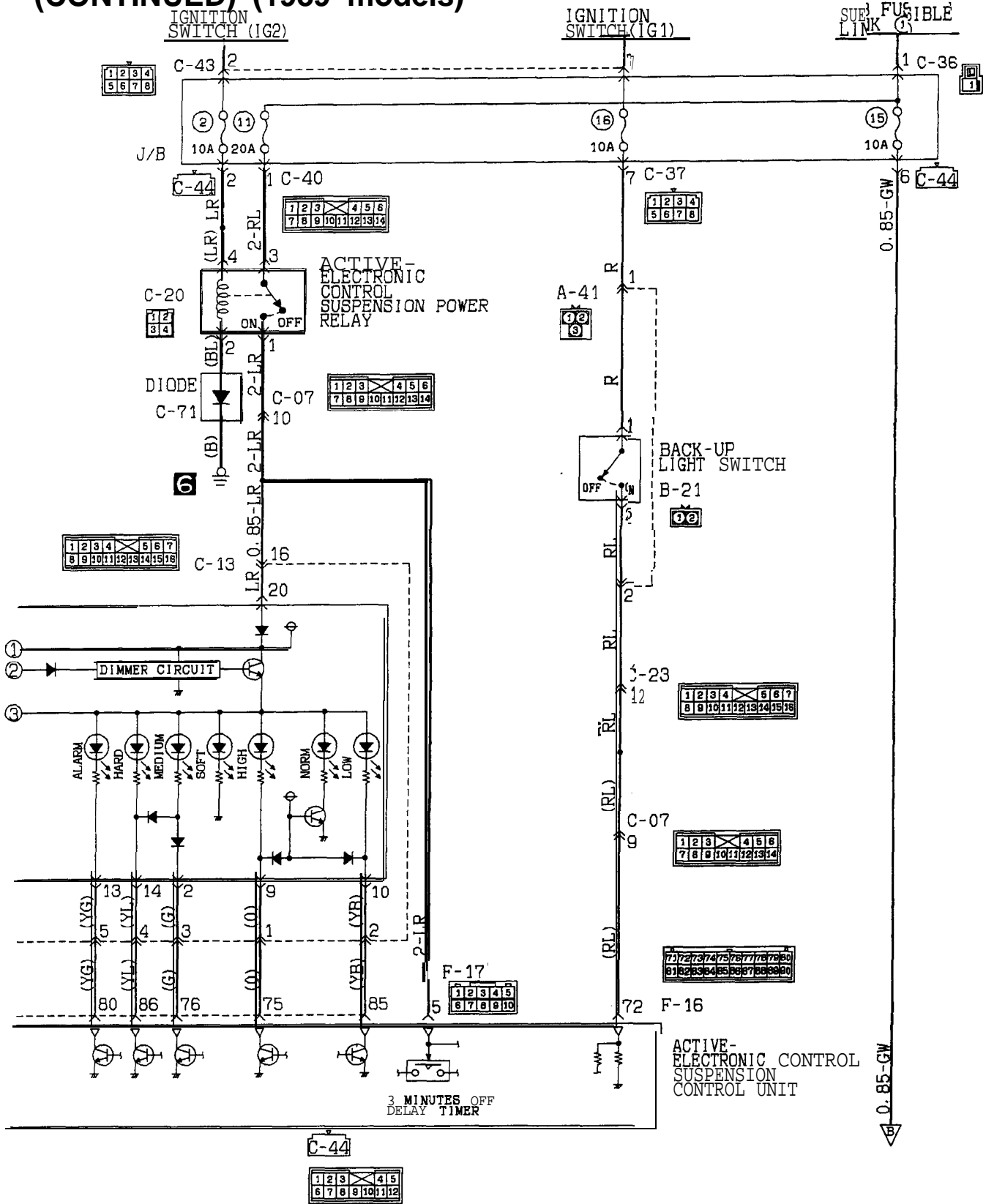
ACTIVE-ELECTRONIC CONTROL SUSPENSION (ECS) CIRCUIT (1989 MODELS)



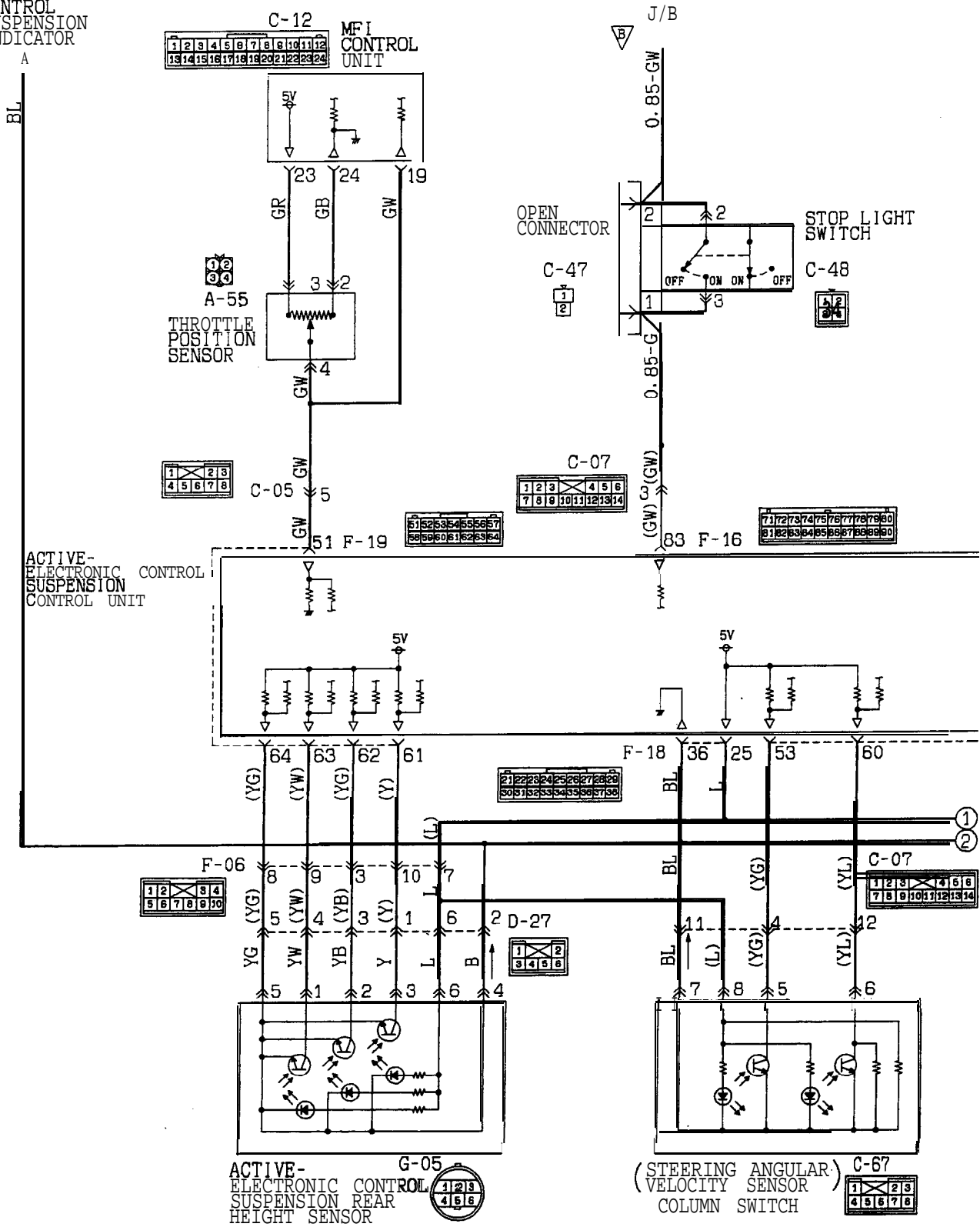
KX35-AC-H1526-NM

TSB Revision

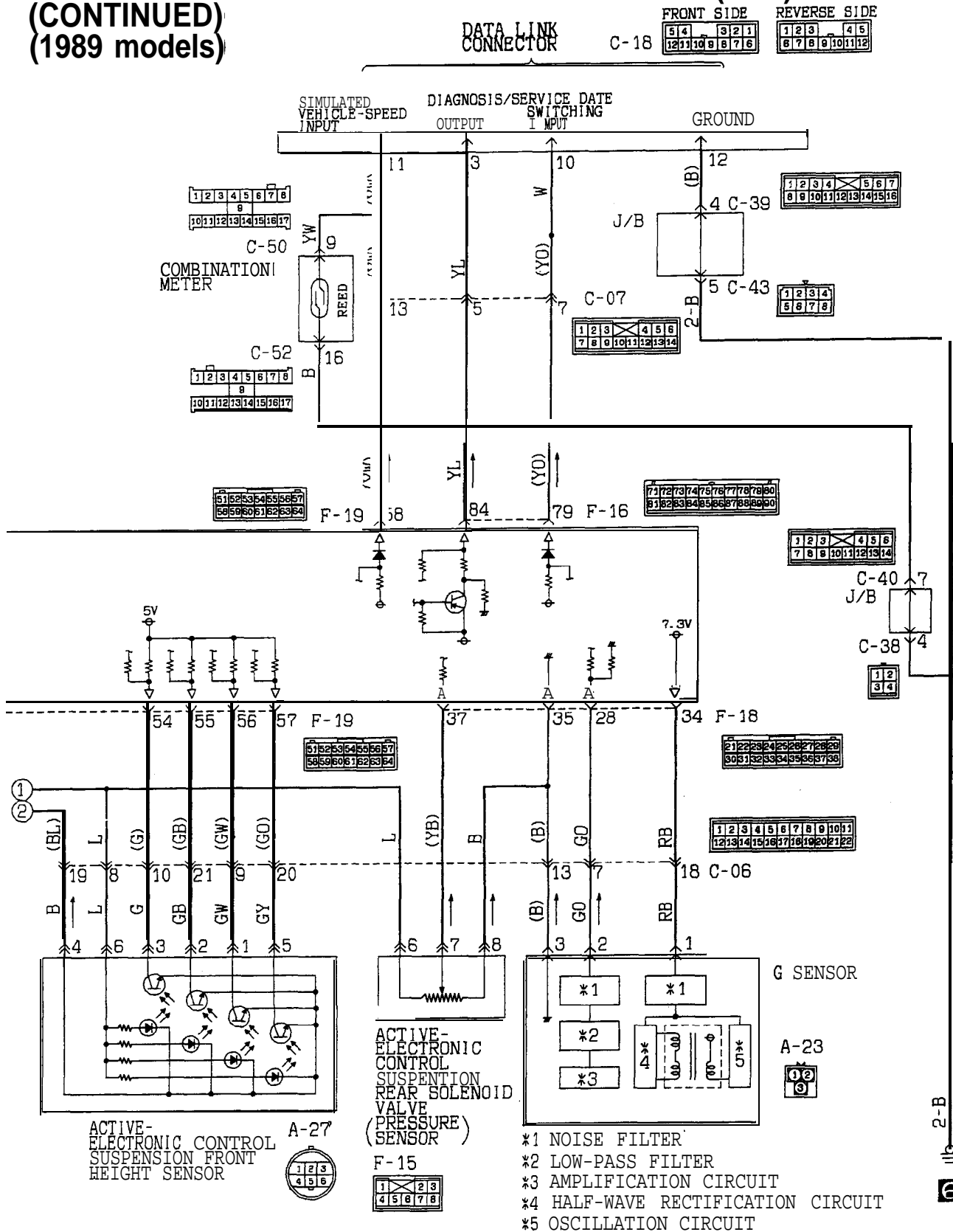
ACTIVE-ELECTRONIC CONTROL SUSPENSION (ECS) CIRCUIT (CONTINUED) (1989 models)

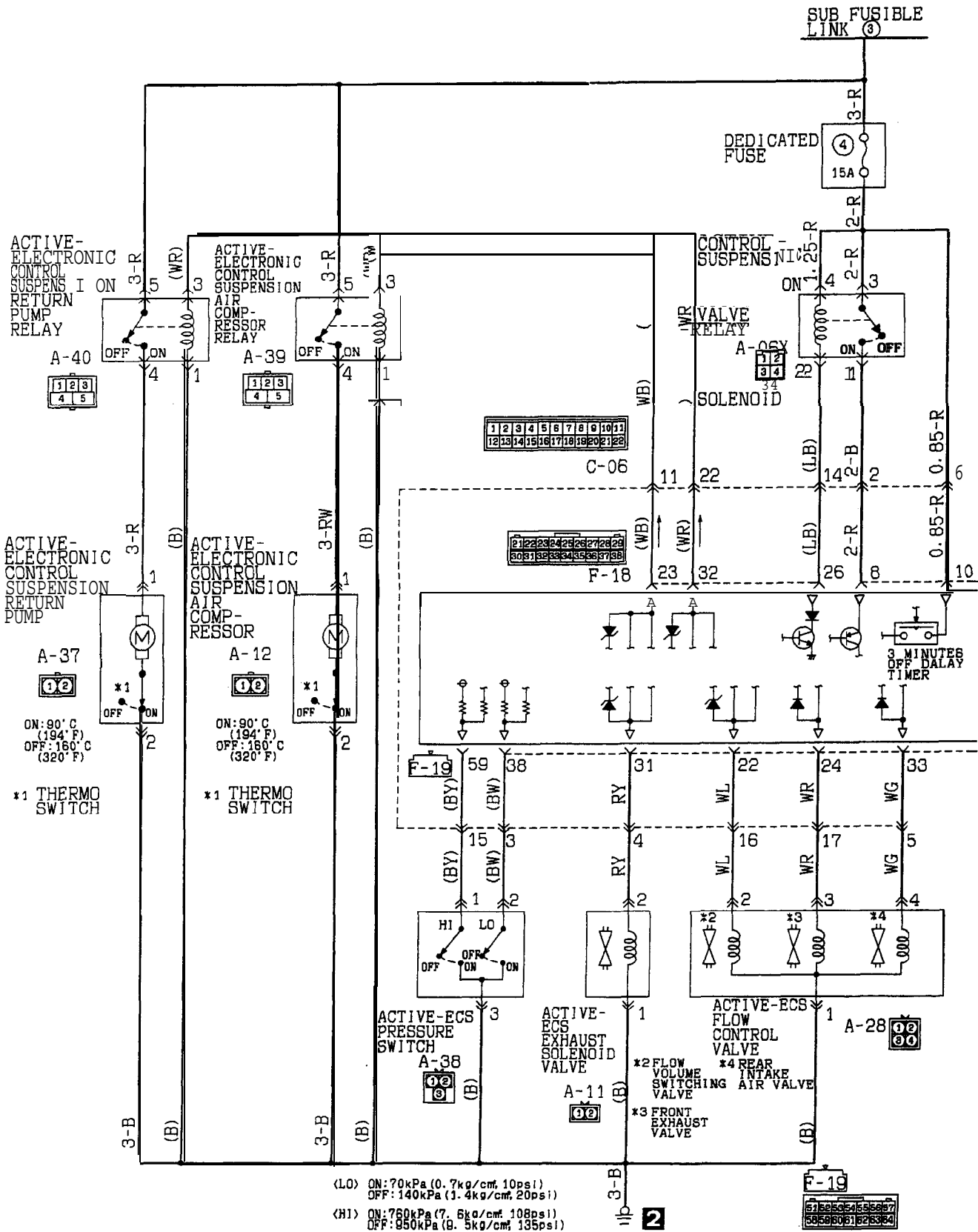


ACTIVE-
ELECTRONIC
CONTROL
SUSPENSION
INDICATOR



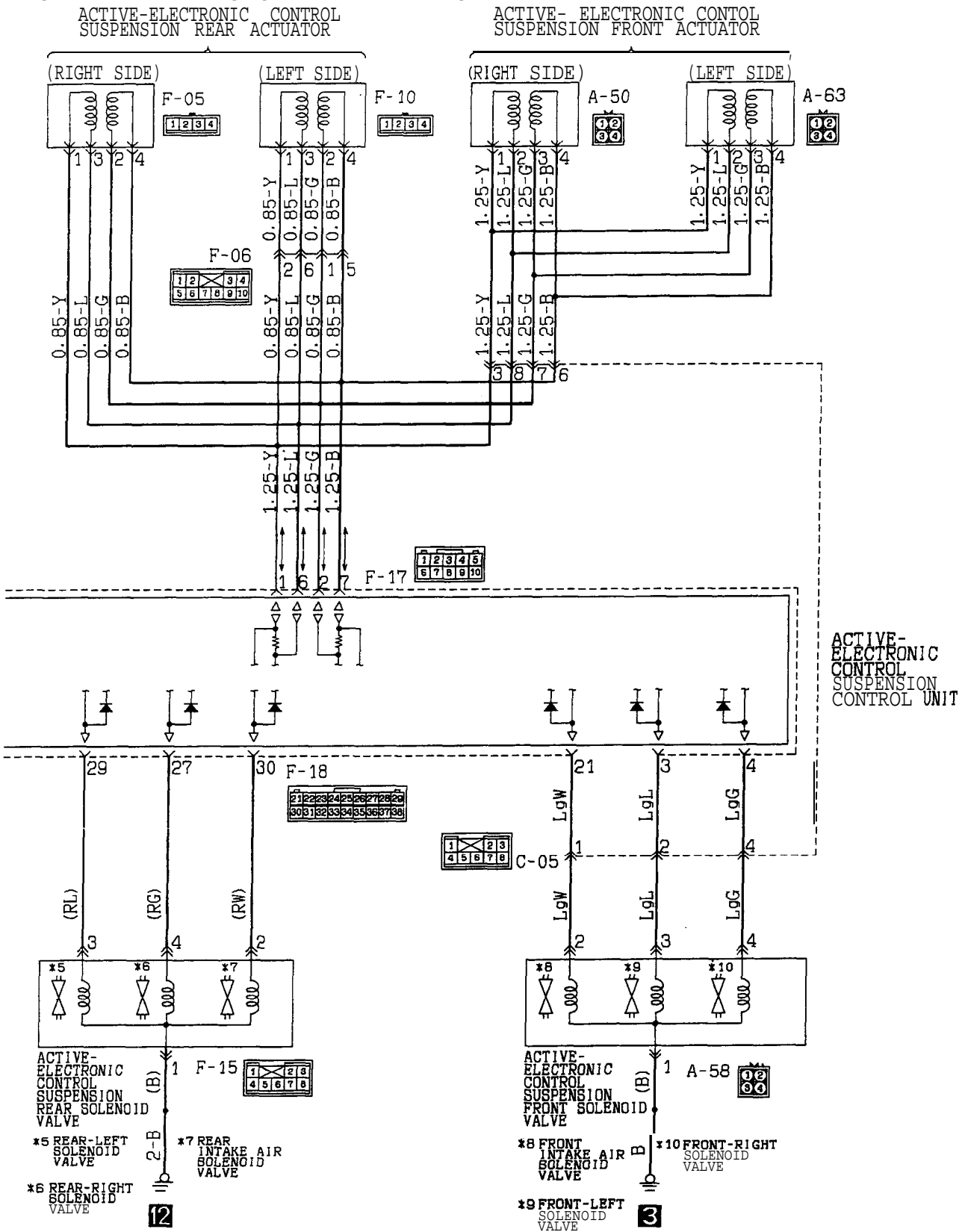
ACTIVE-ELECTRONIC CONTROL SUSPENSION (ECS) CIRCUIT (CONTINUED) (1989 models)

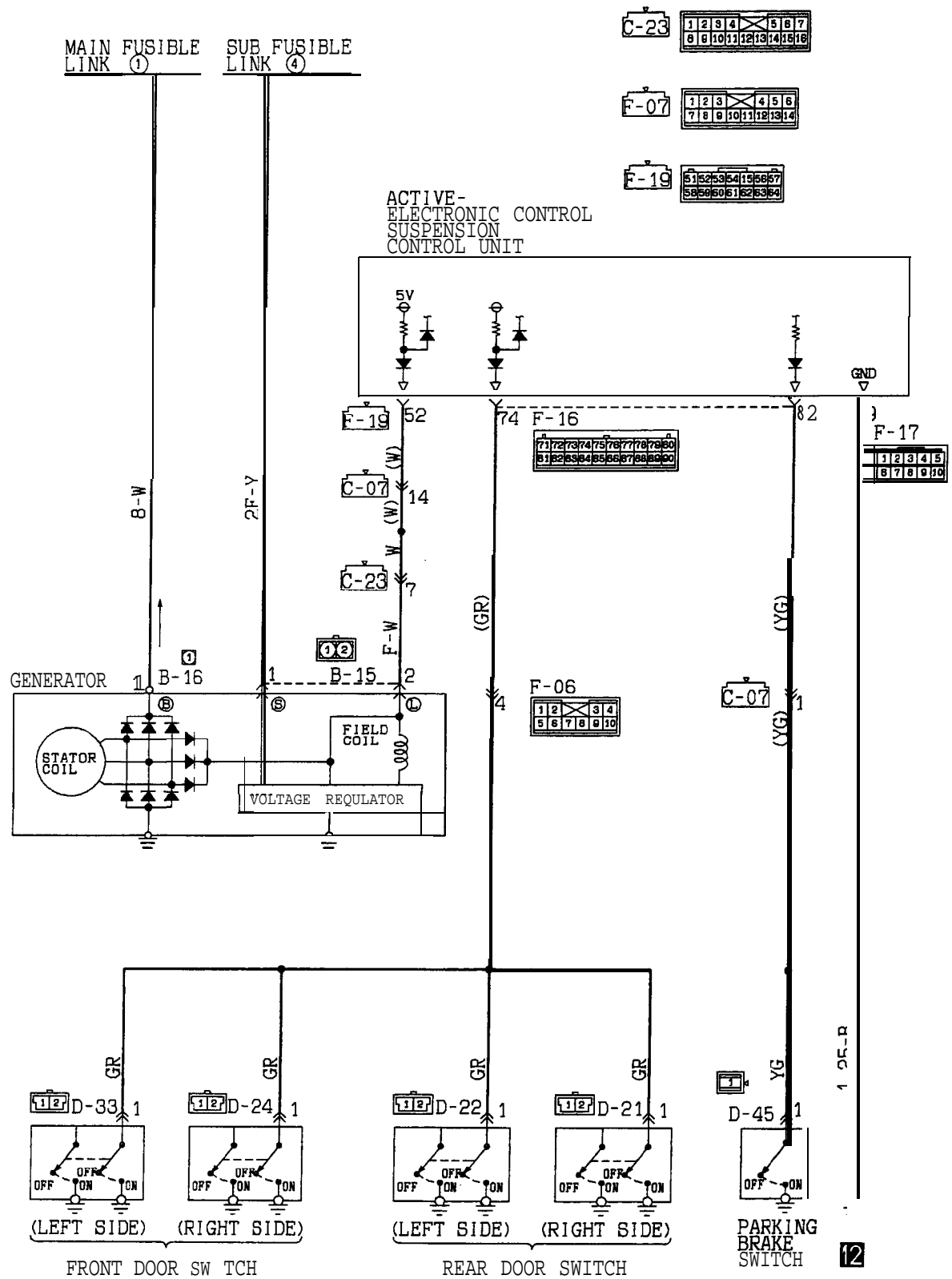




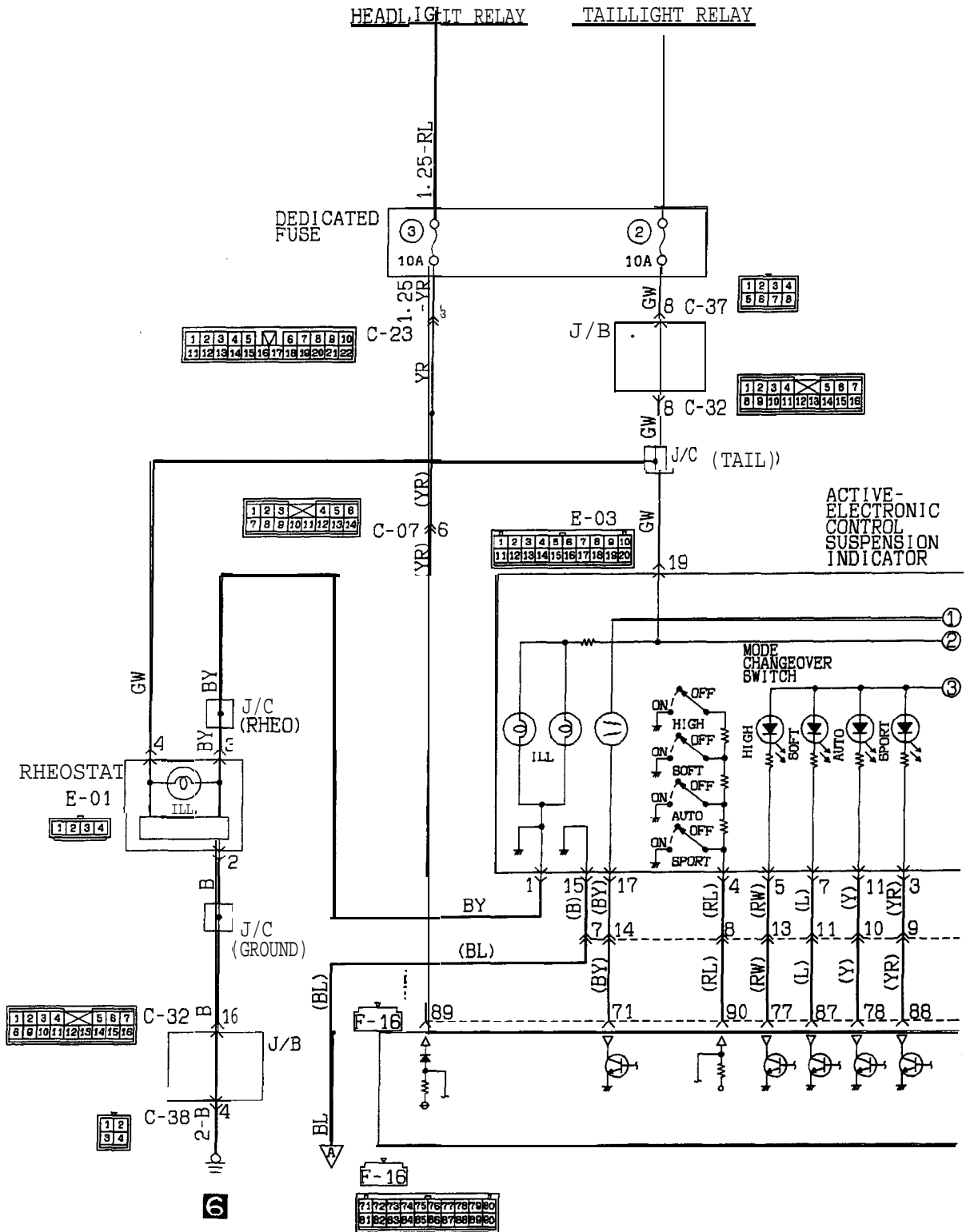
KX35-AC-H1526B-NM

ACTIVE-ELECTRONIC CONTROL SUSPENSION (ECS) CIRCUIT (CONTINUED) (1989 models)



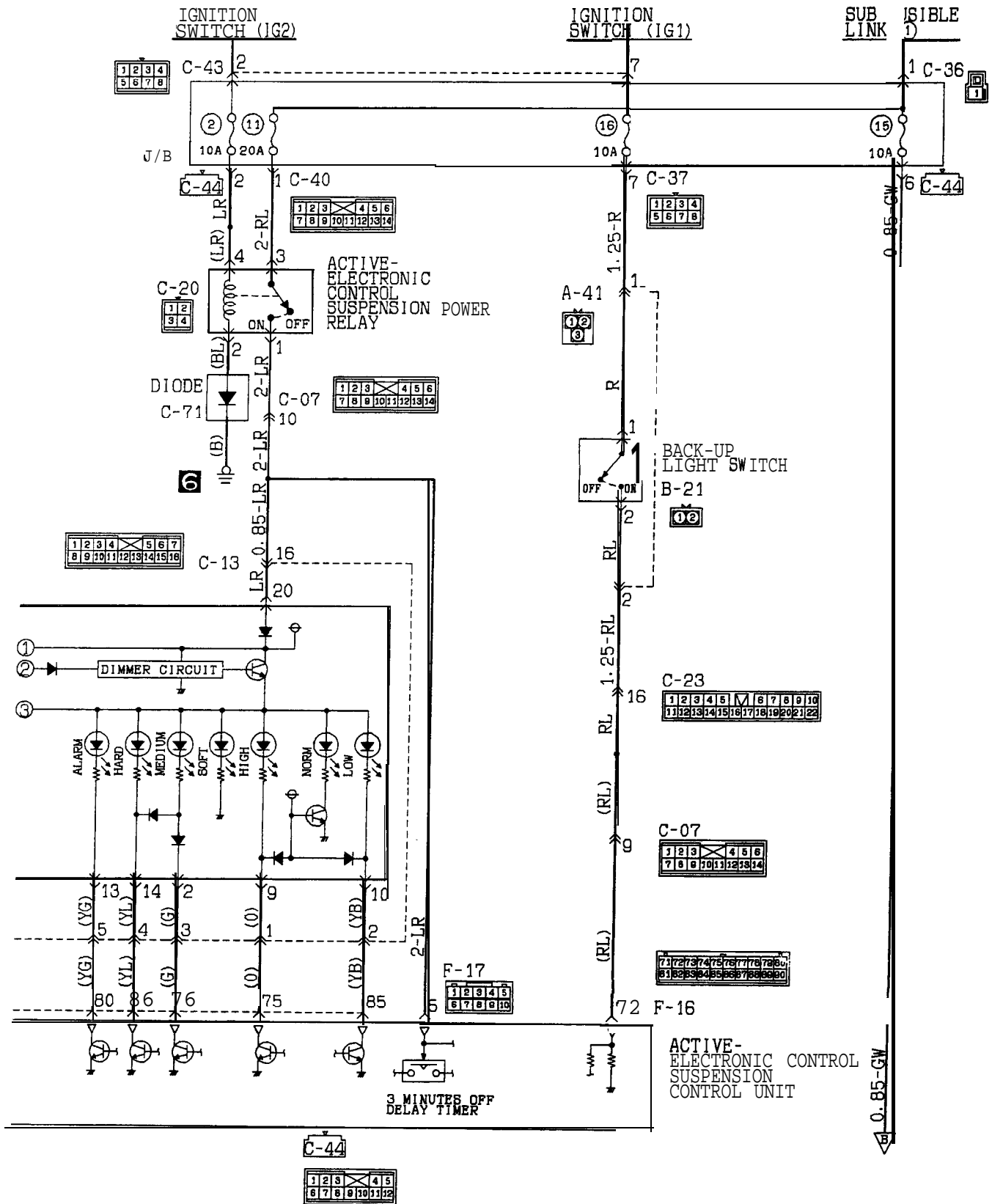


ACTIVE-ELECTRONIC CONTROL SUSPENSION (ECS) CIRCUIT (1990 MODELS)

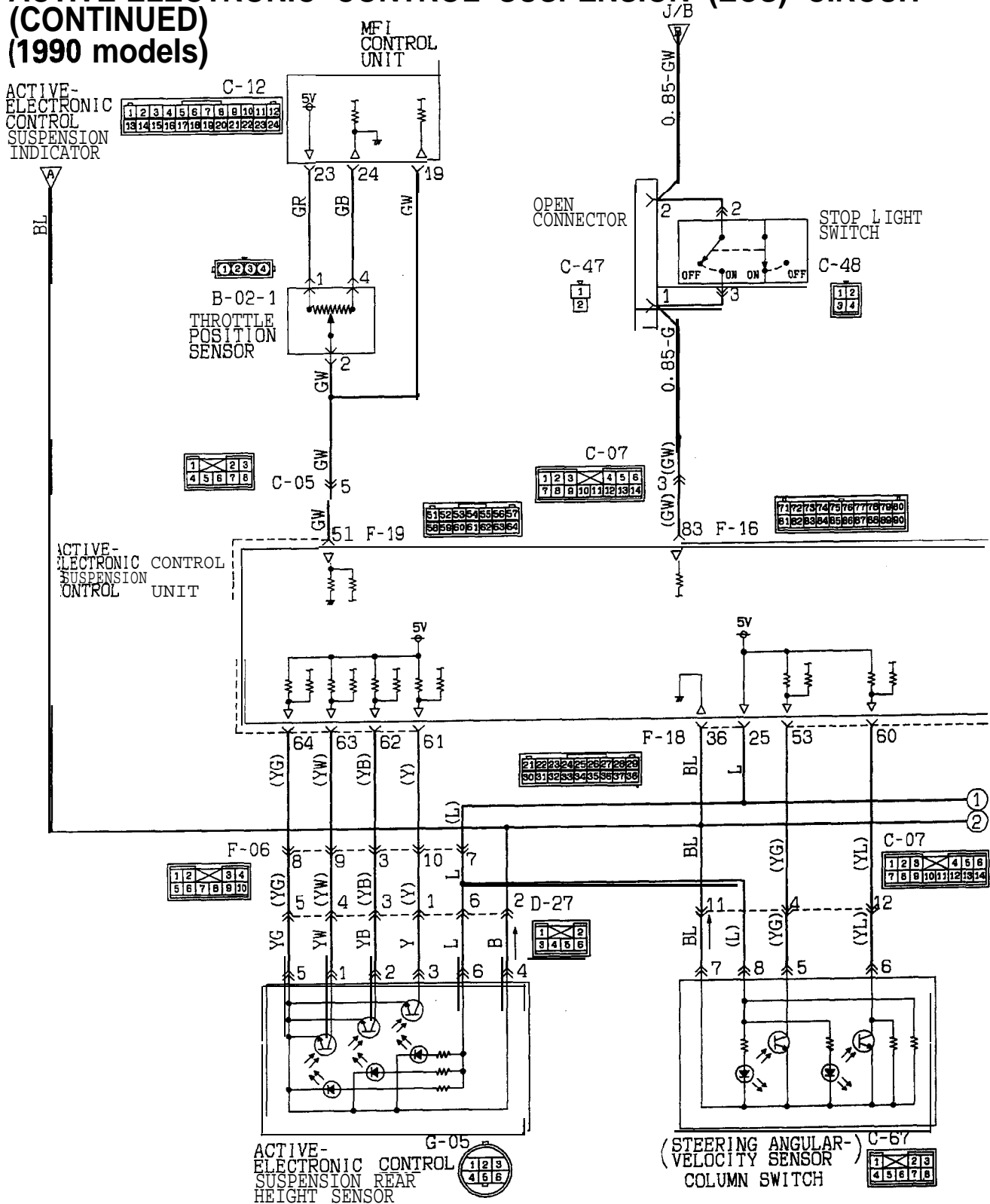


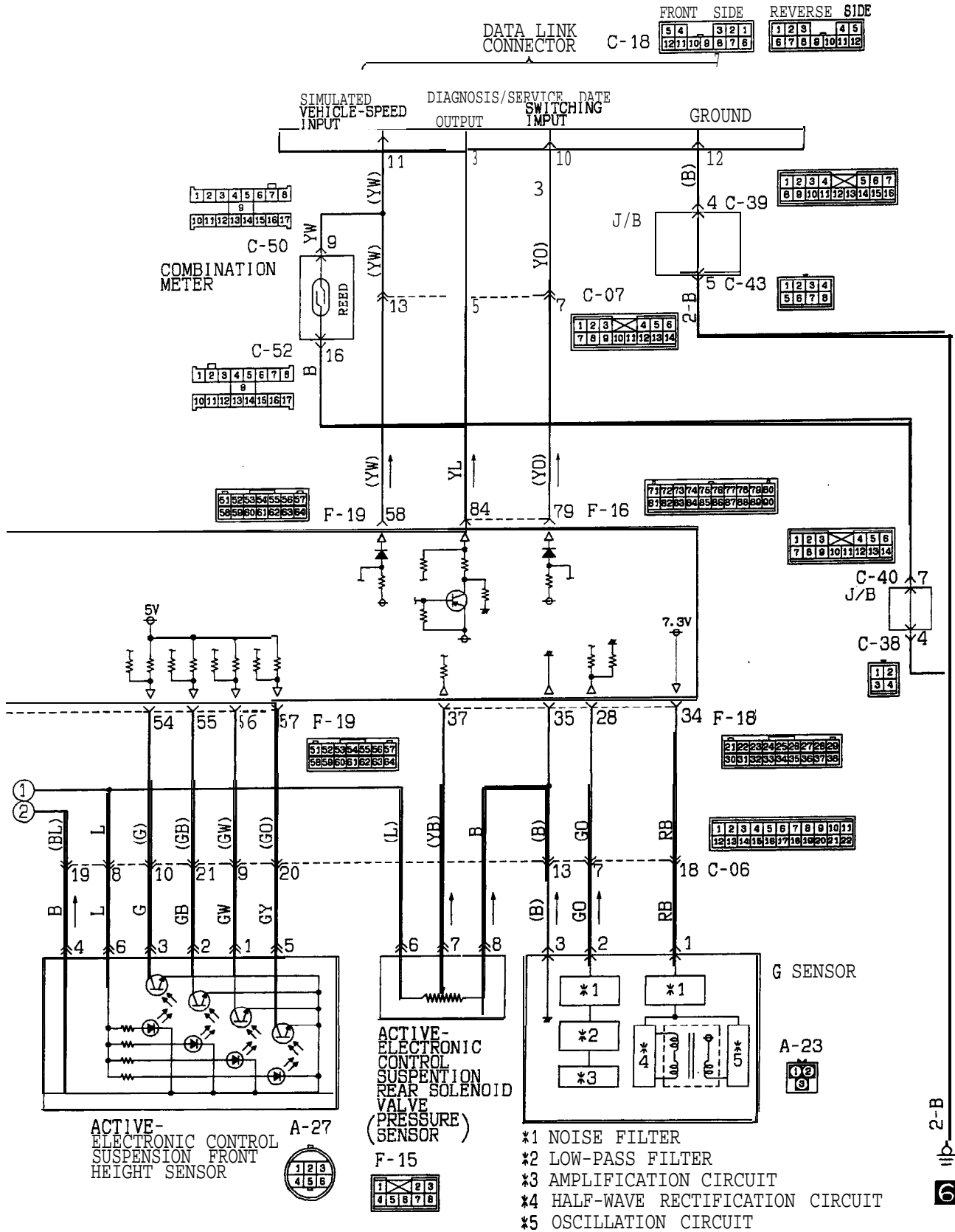
KX35-AC-H1527-NM

TSB Revision

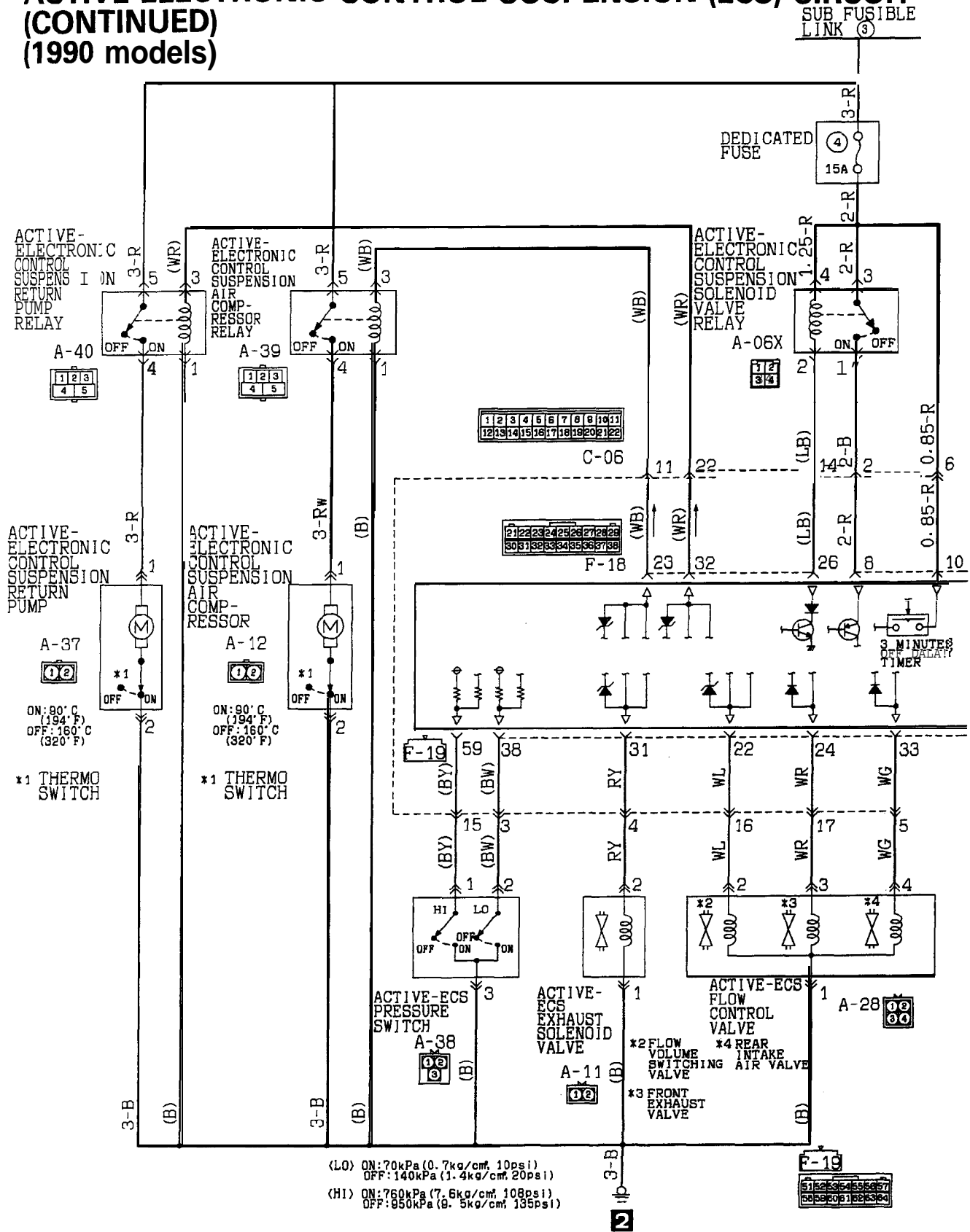


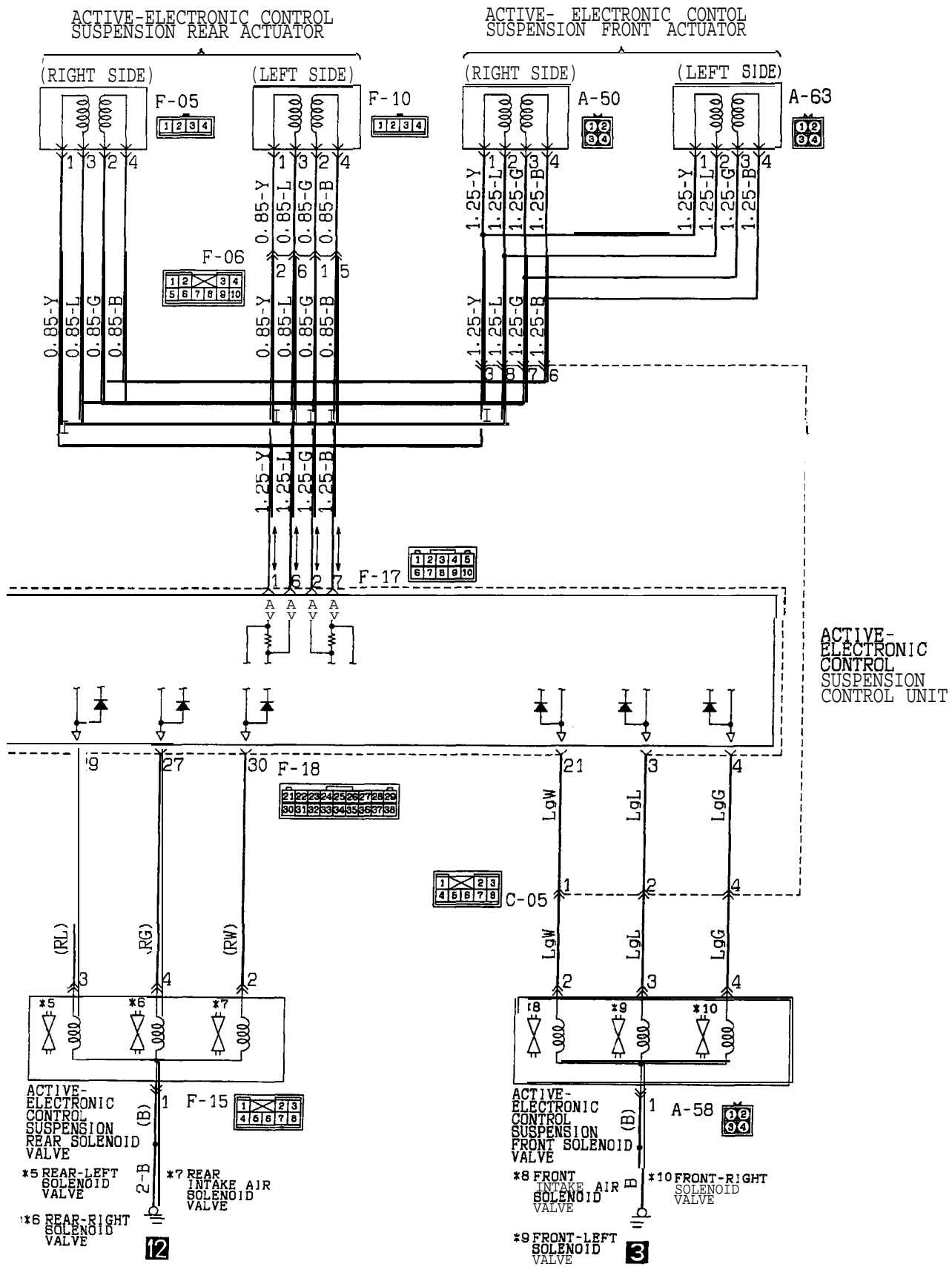
ACTIVE-ELECTRONIC CONTROL SUSPENSION (ECS) CIRCUIT (CONTINUED) (1990 models)



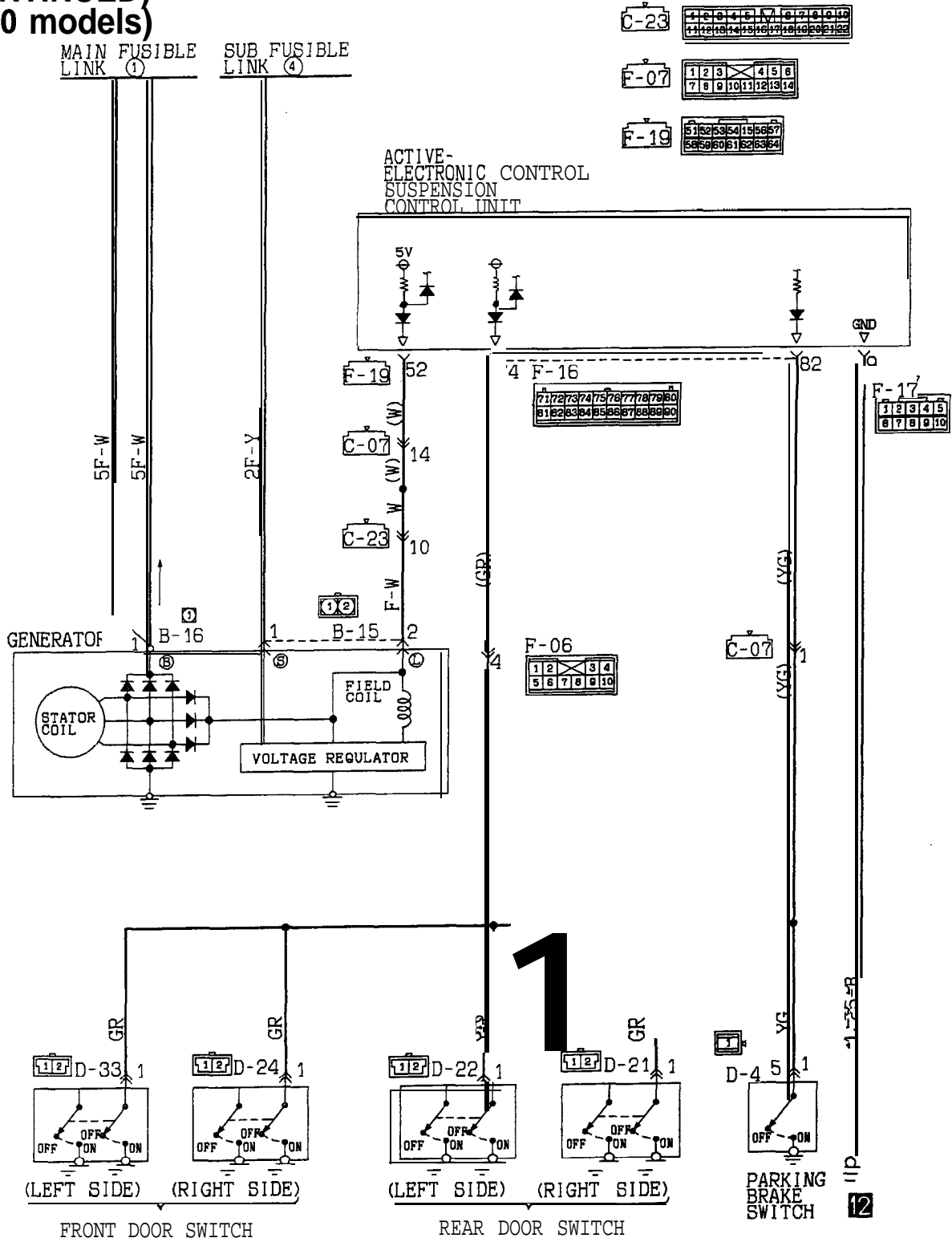


ACTIVE-ELECTRONIC CONTROL SUSPENSION (ECS) CIRCUIT (CONTINUED) (1990 models)

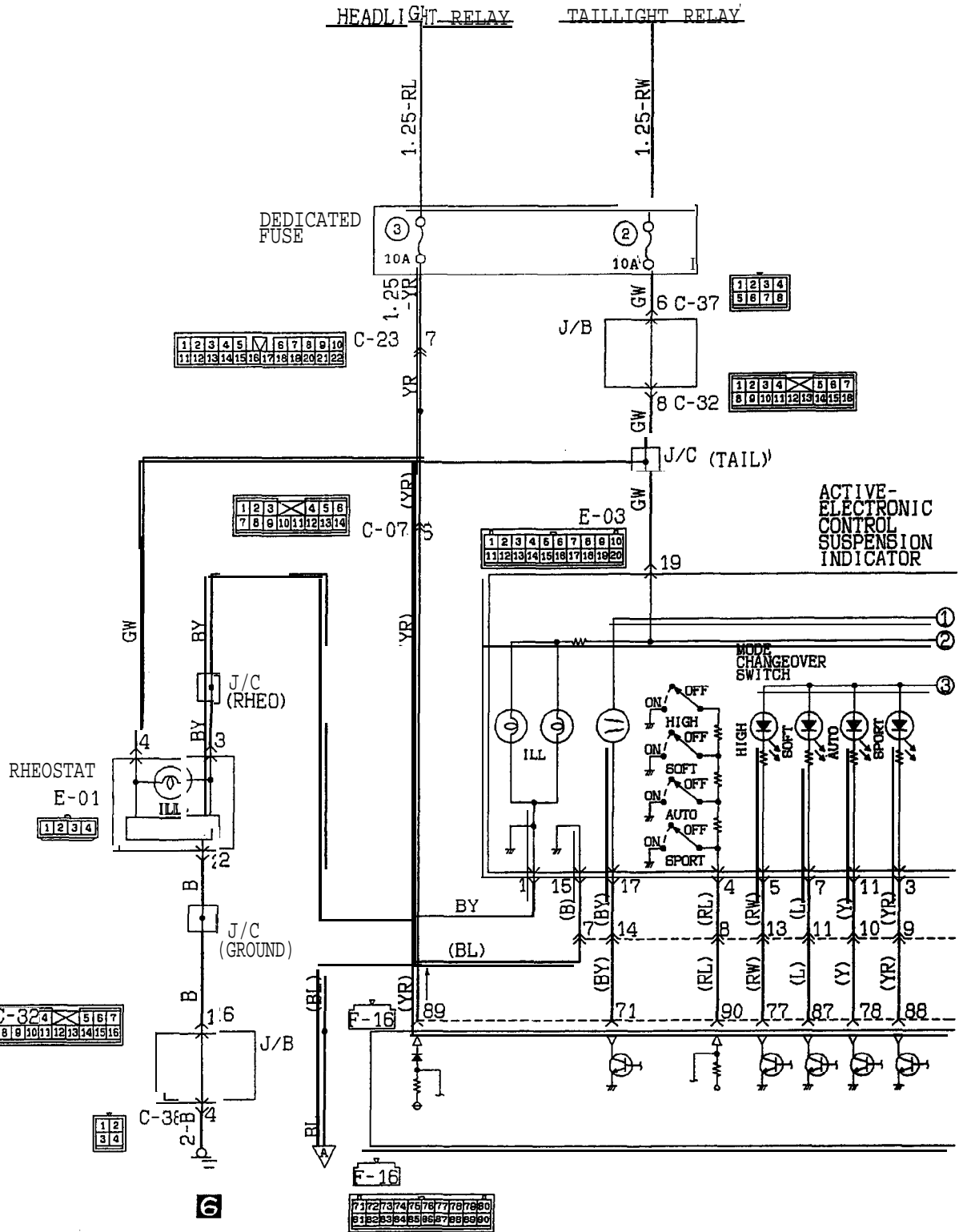




ACTIVE-ELECTRONIC CONTROL SUSPENSION (ECS) CIRCUIT (CONTINUED) (1990 models)



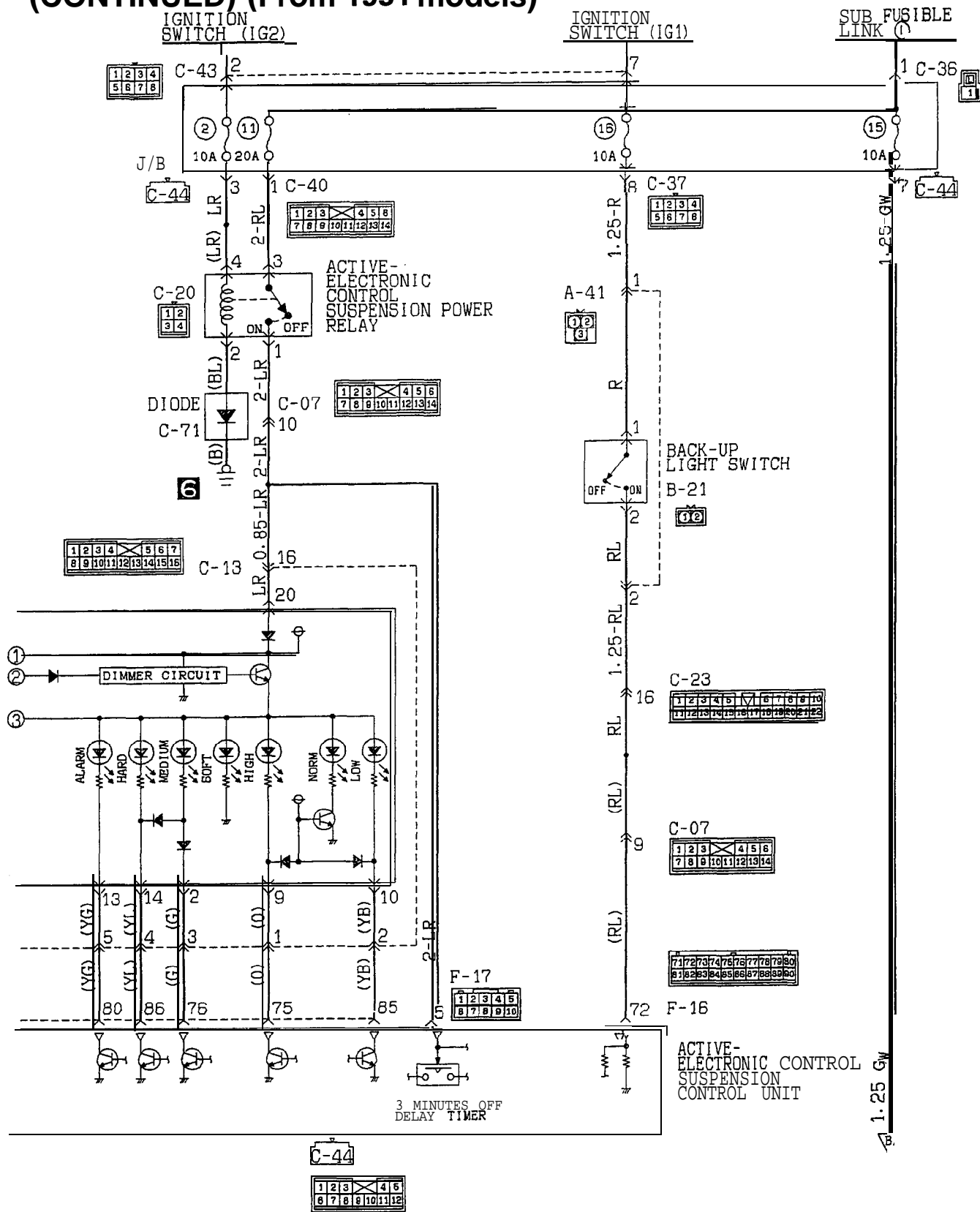
ACTIVE-ELECTRONIC CONTROL SUSPENSION (ECS) CIRCUIT <From 1991 models>



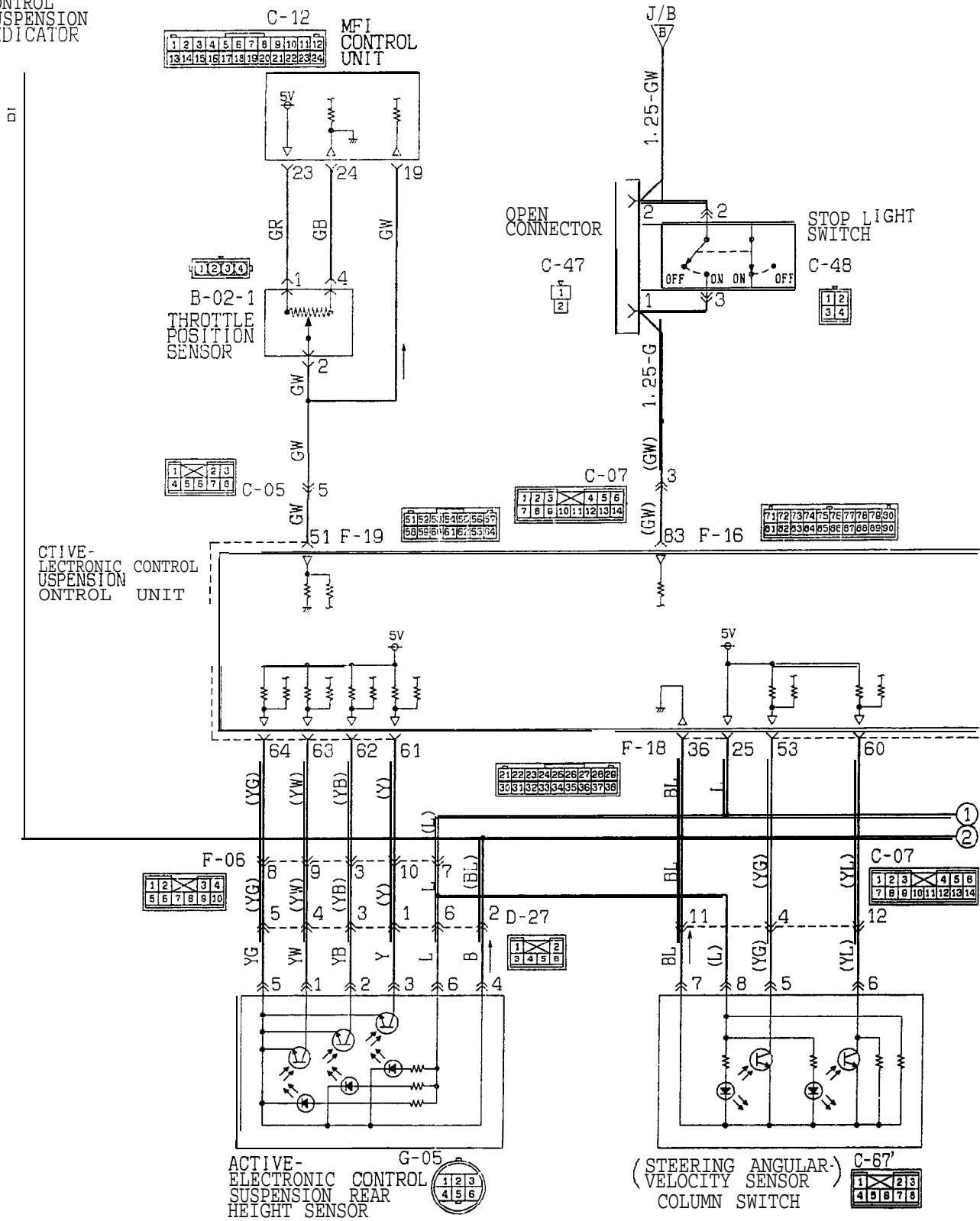
KX5-AC-H1544-NM

TSB Revision

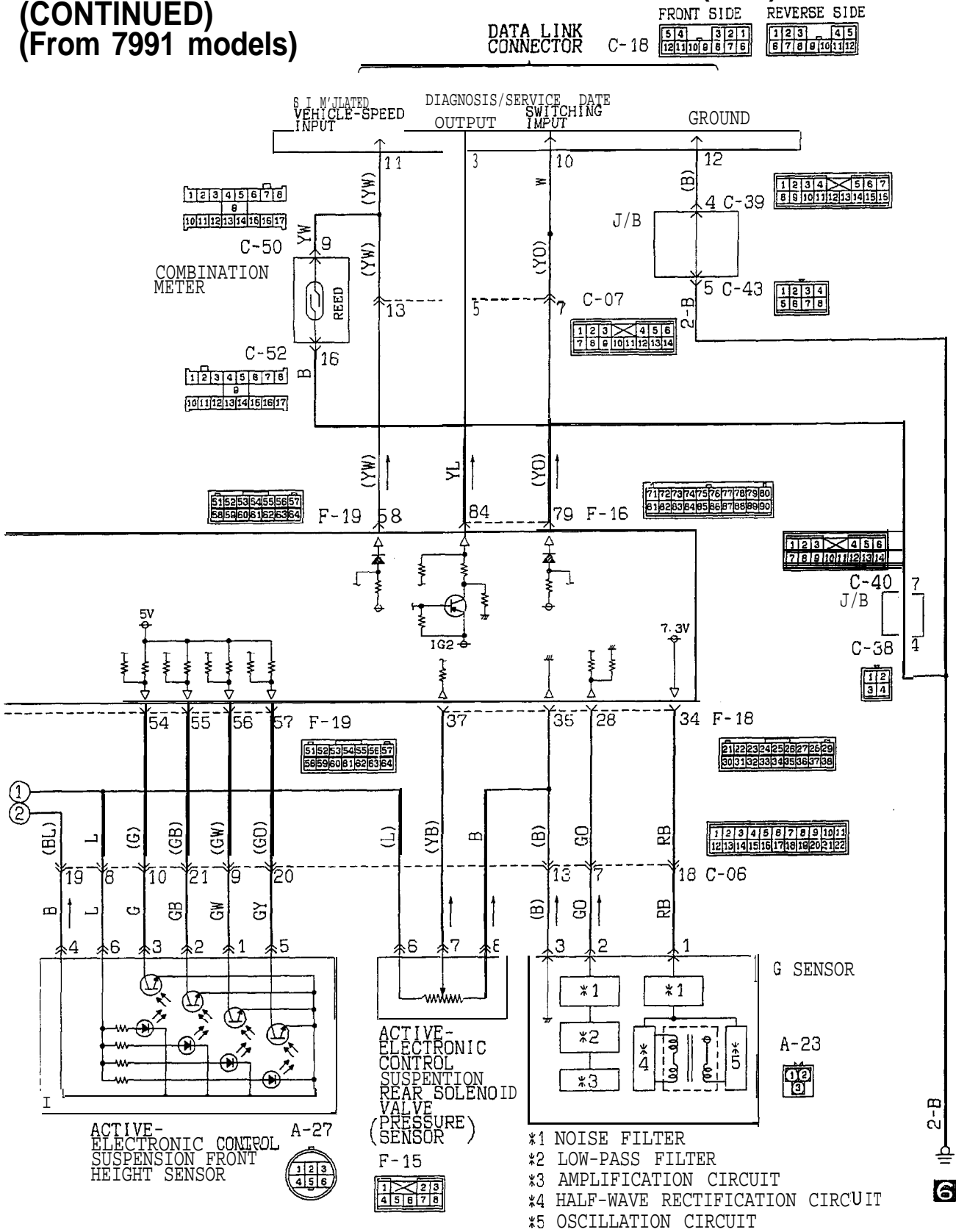
ACTIVE-ELECTRONIC CONTROL SUSPENSION (ECS) CIRCUIT (CONTINUED) (From 1991 models)

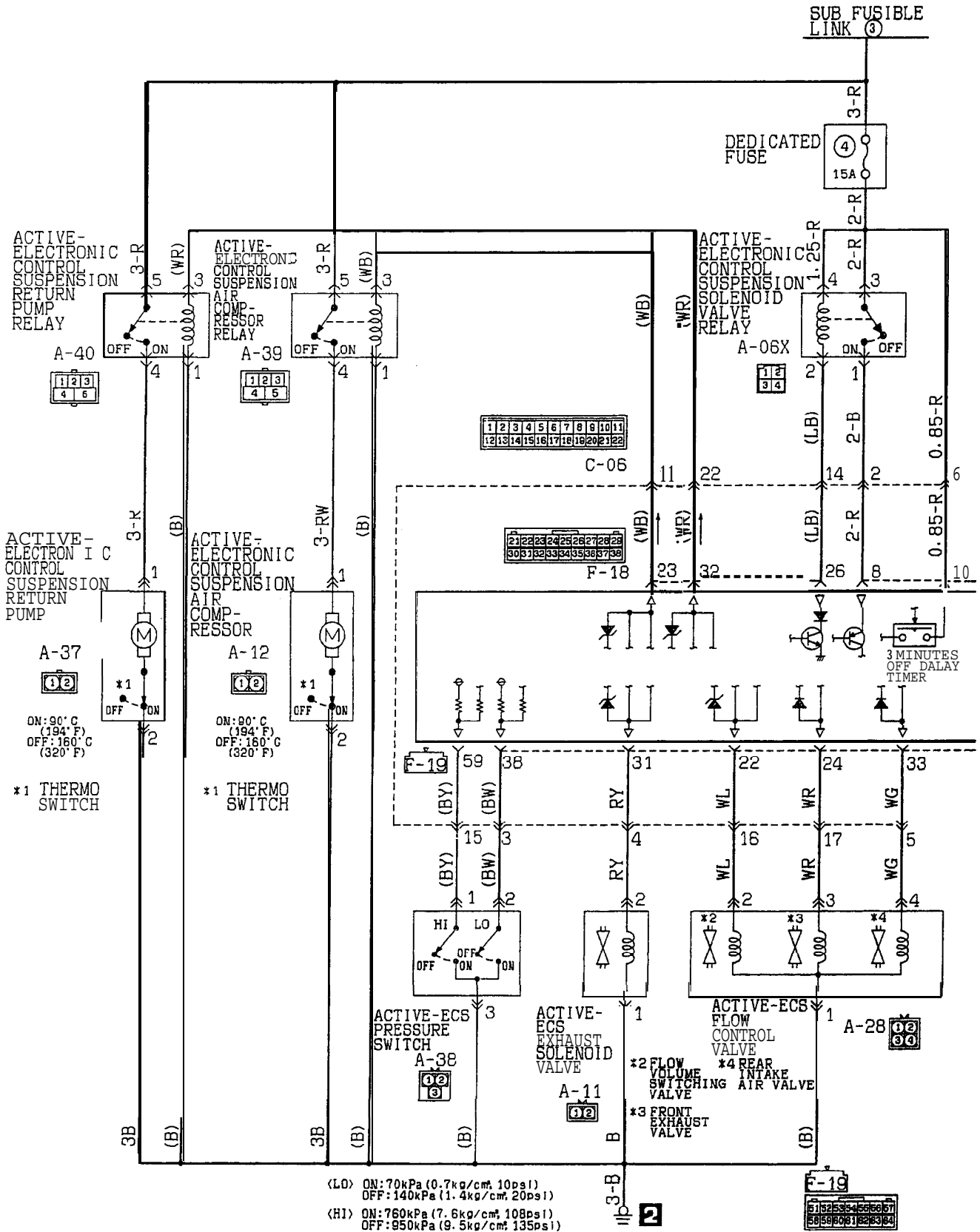


ACTIVE-
ELECTRONIC
CONTROL
SUSPENSION
INDICATOR



ACTIVE-ELECTRONIC CONTROL SUSPENSION (ECS) CIRCUIT (CONTINUED) (From 7991 models)





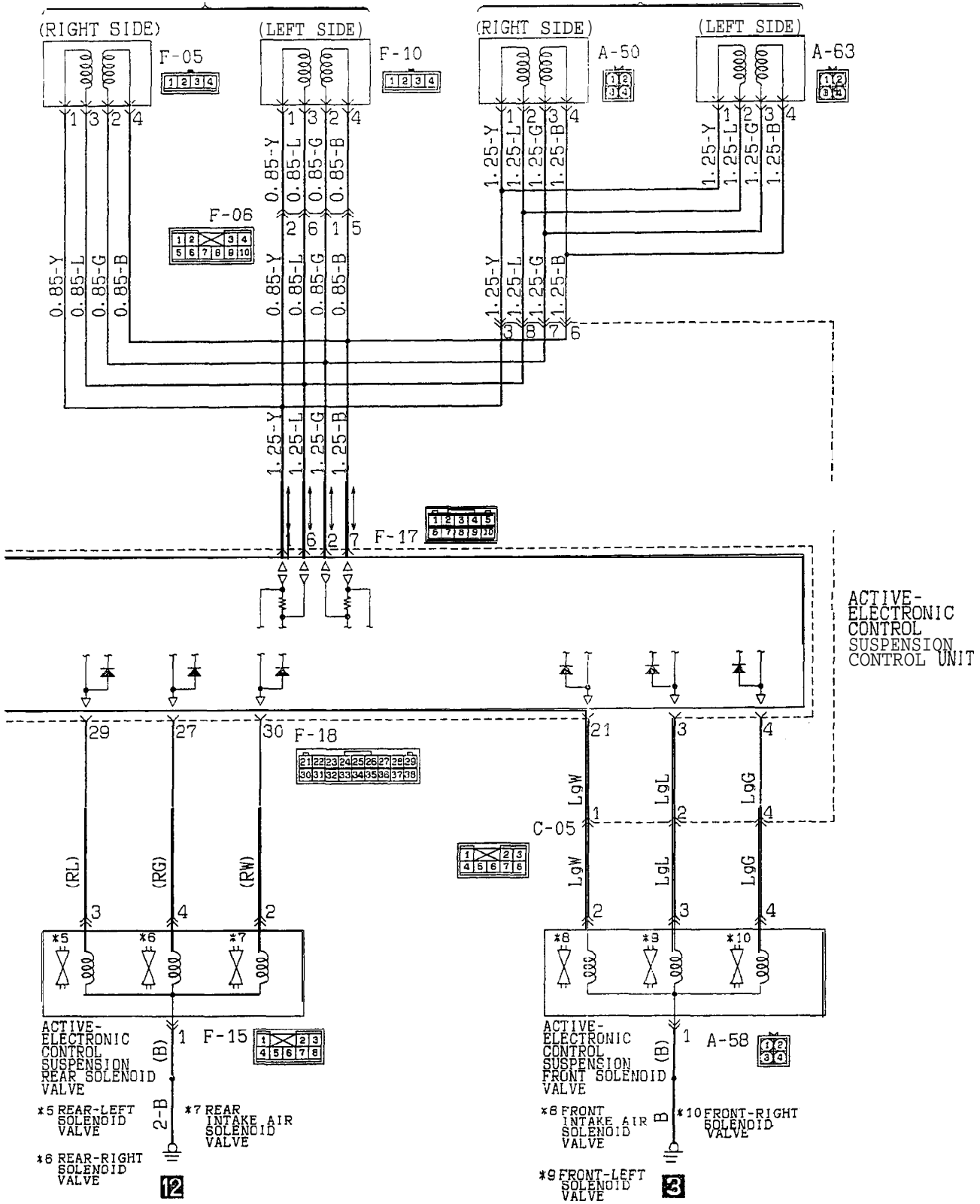
KX35-AC-H1544B-NM

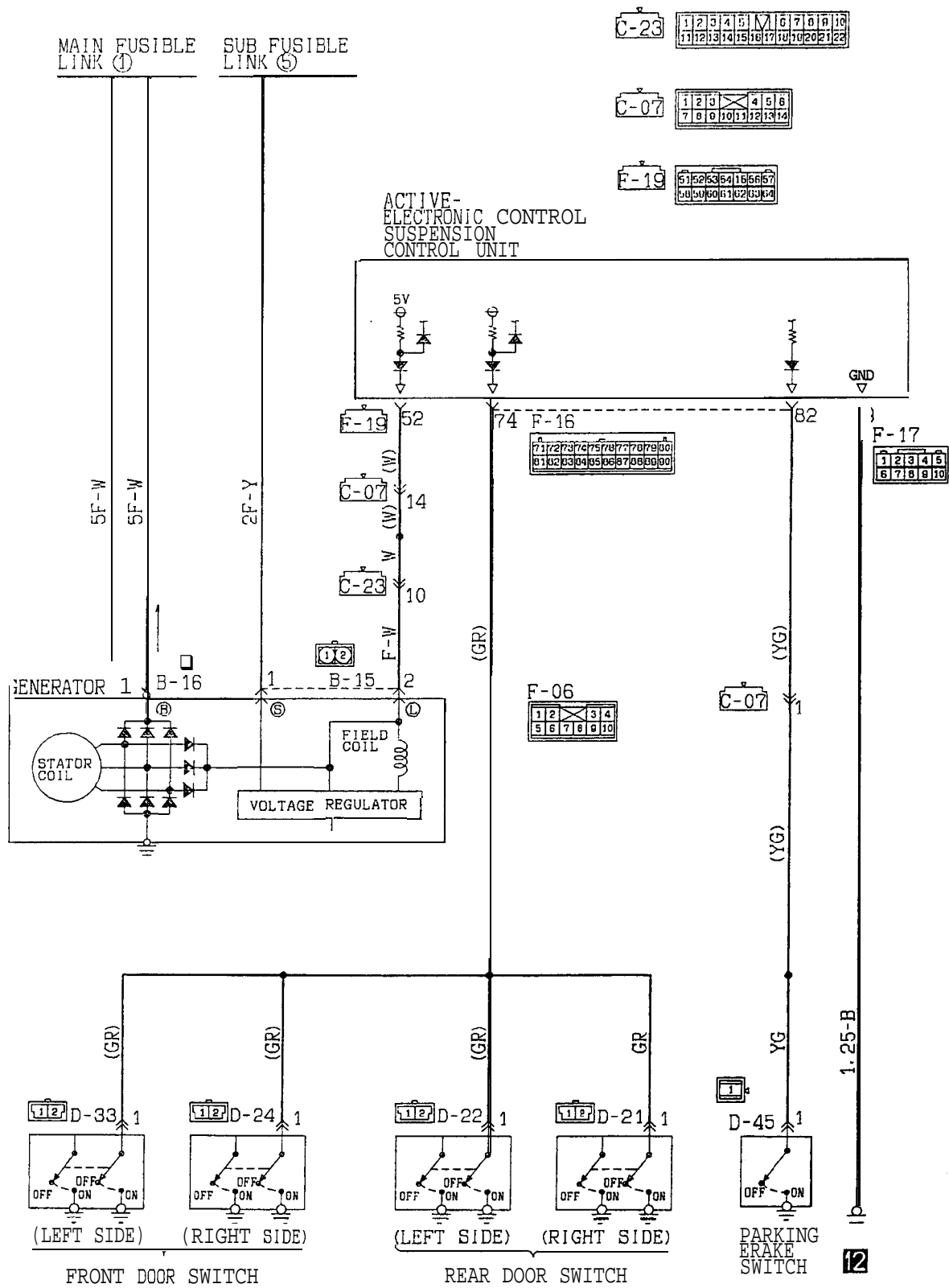
TSB Revision

ACTIVE-ELECTRONIC CONTROL SUSPENSION (ECS) CIRCUIT (CONTINUED) (From 1991 models)

ACTIVE-ELECTRONIC CONTROL SUSPENSION REAR ACTUATOR

ACTIVE-ELECTRONIC CONTROL SUSPENSION FRONT ACTUATOR





KX35-AC-H1544C-NM

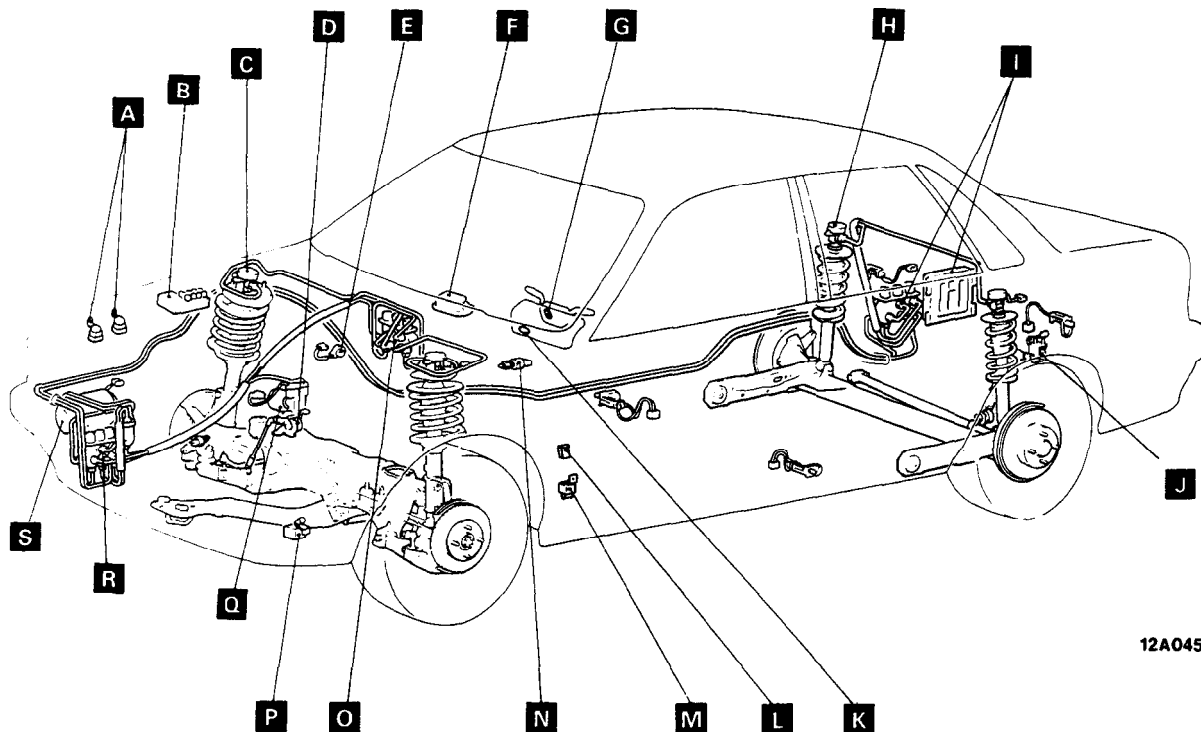
TSB Revision

COMPONENT LOCATION

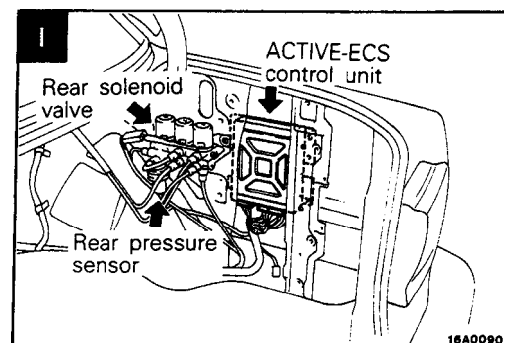
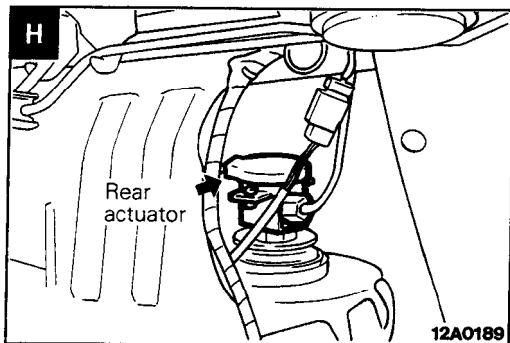
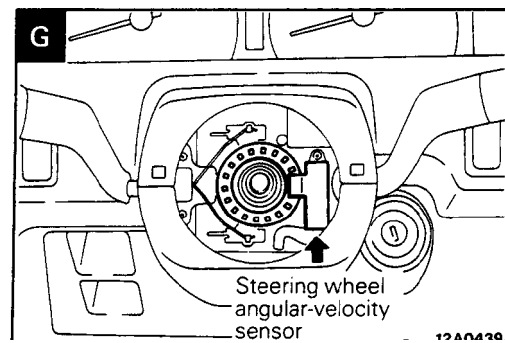
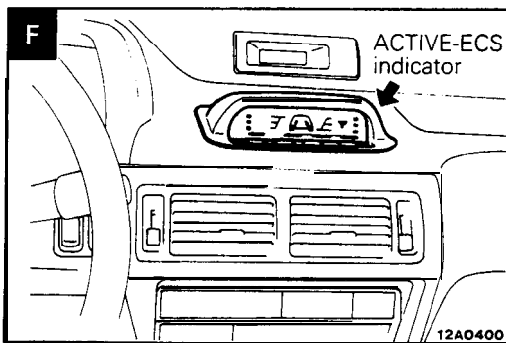
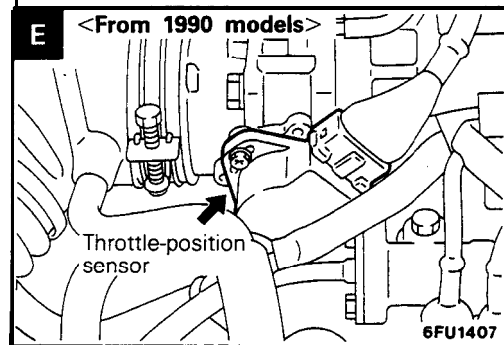
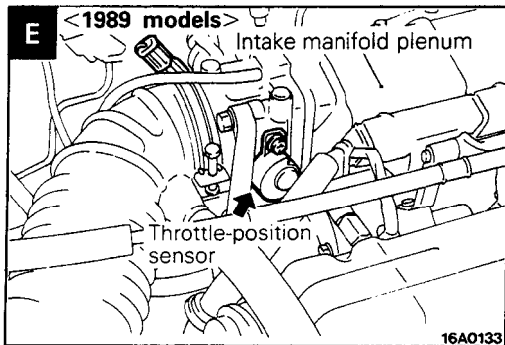
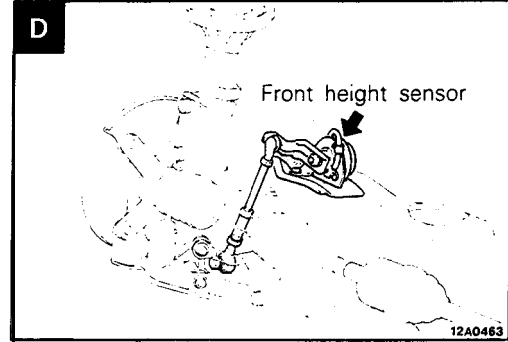
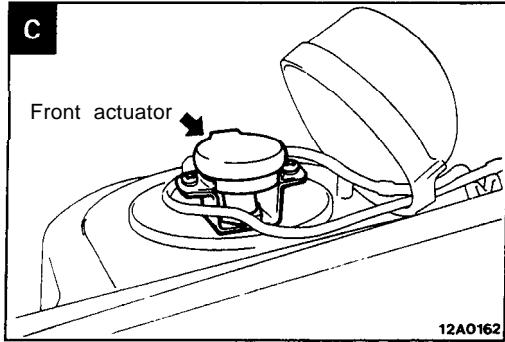
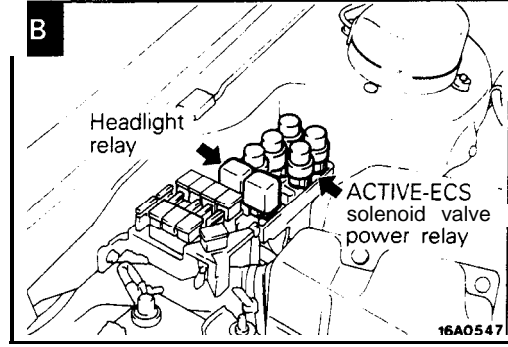
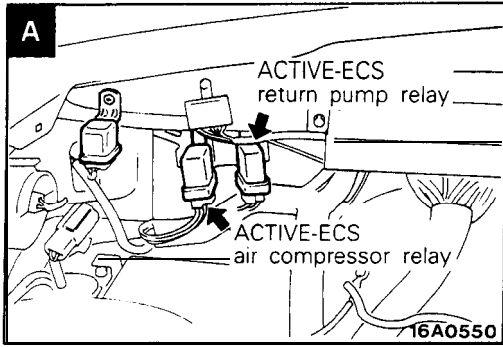
Name	Symbol	Name	Symbol
ACTIVE-ECS air compressor relay	A	G sensor	P
ACTIVE-ECS control unit	I	Headlight relay	B
ACTIVE-ECS indicator	F	High-pressure switch	S
ACTIVE-ECS power relay	M	Low-pressure switch	S
ACTIVE-ECS return pump relay	A	Rear actuator	H
ACTIVE-ECS solenoid valve power relay	B	Rear height sensor	J
Air compressor	Q	Rear pressure sensor	I
	L	Rear solenoid valve	I
Exhaust solenoid valve (for vehicle-height adjustment)	Q	Reserve tank (incorporated within the return pump)	S
		Steering wheel angular-velocity sensor	G
Flow control solenoid valve	R	Stop light switch	N
Front actuator	C	Throttle-position sensor	E
Front height sensor	D	Vehicle-speed sensor	K
Front solenoid valve	O		

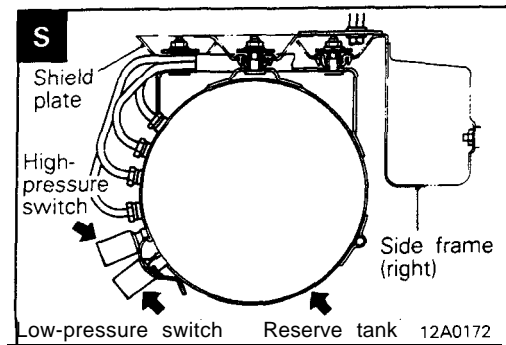
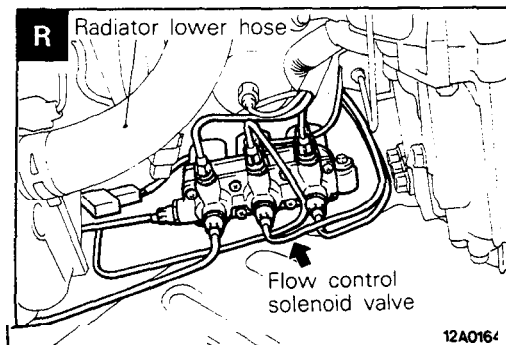
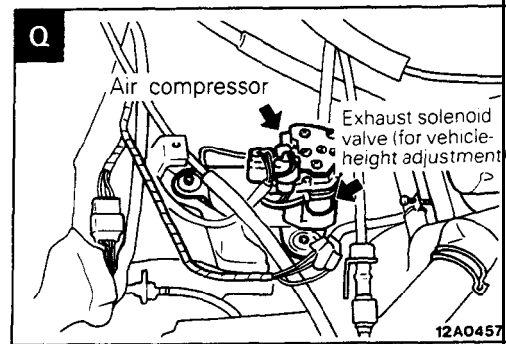
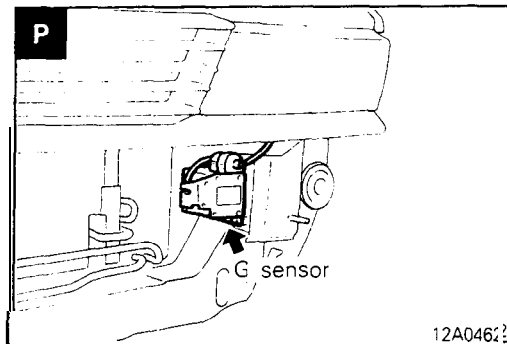
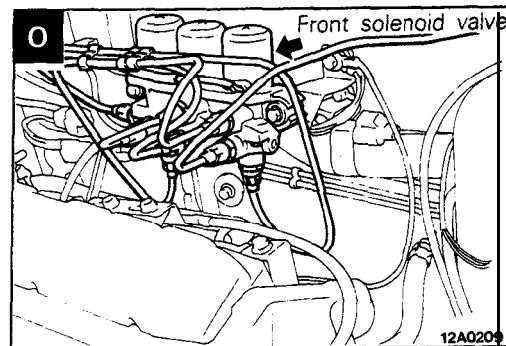
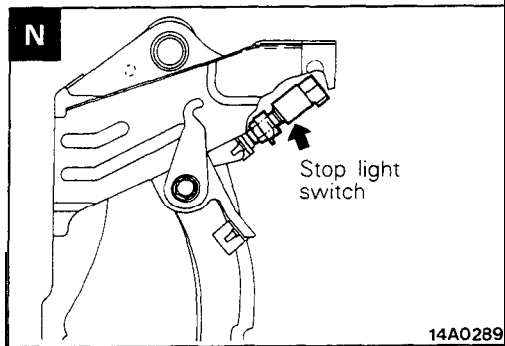
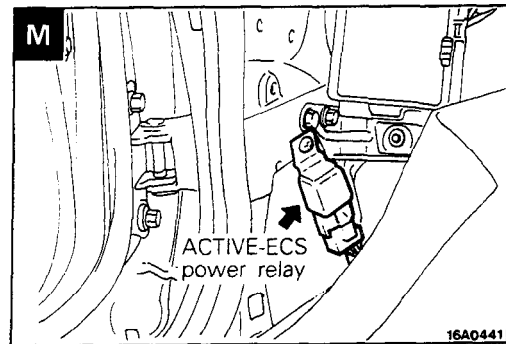
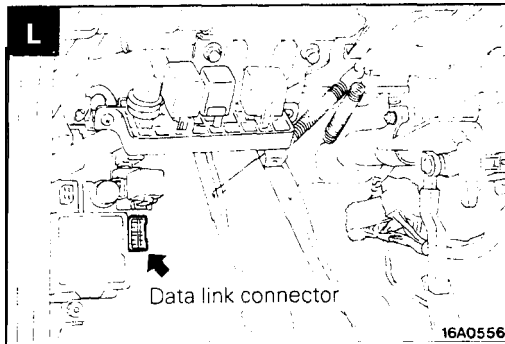
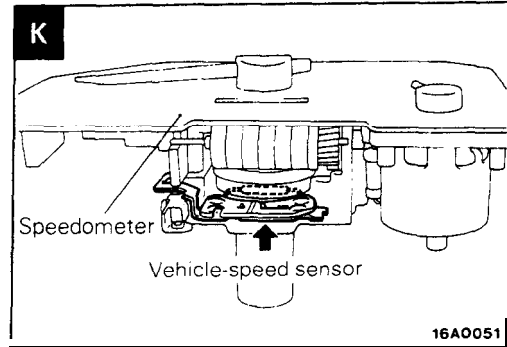
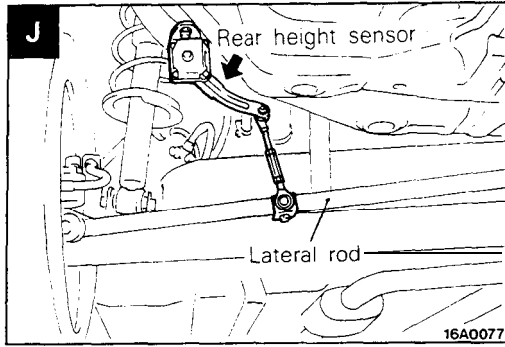
NOTE

The "name" column is arranged in alphabetical order



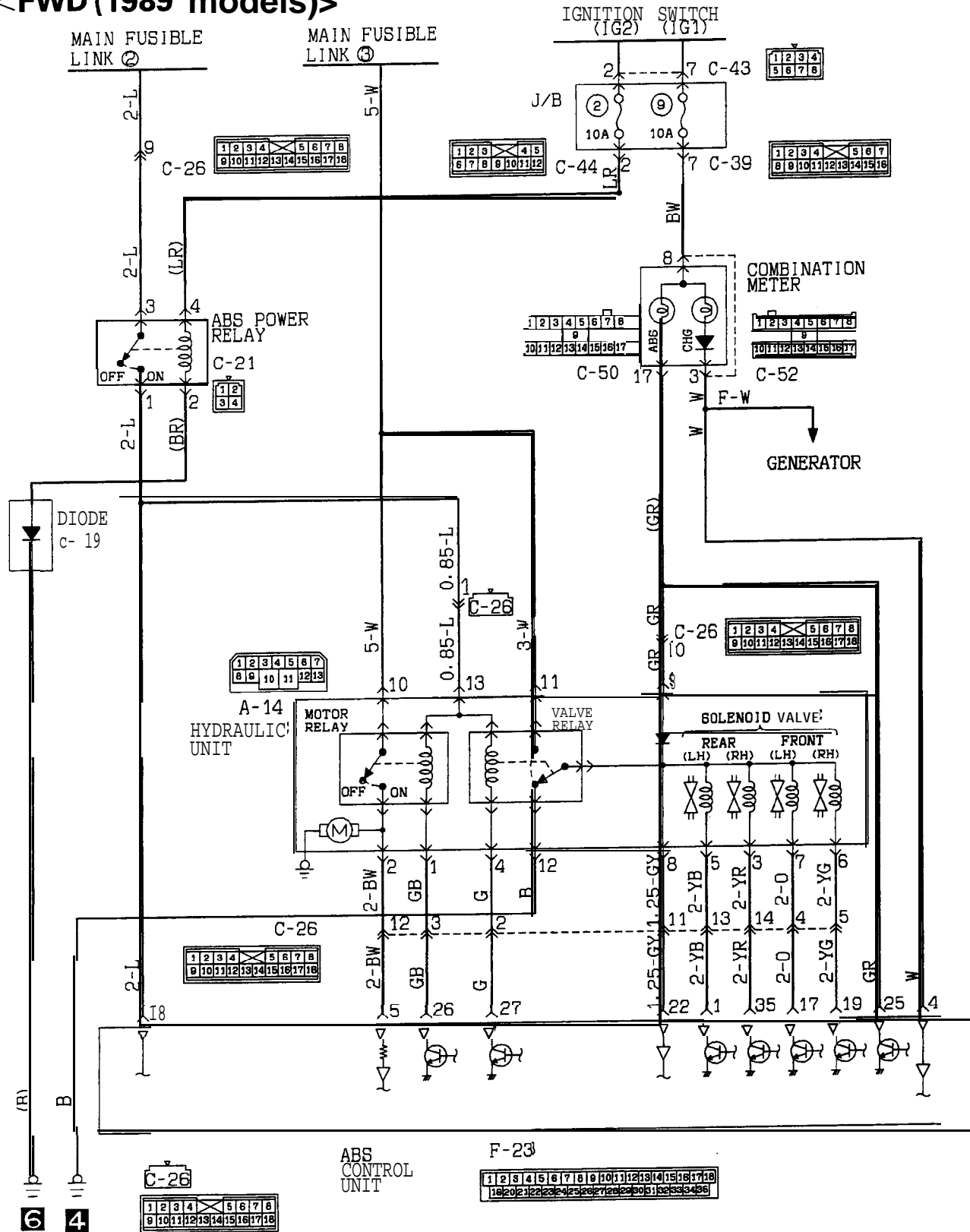
12A0451





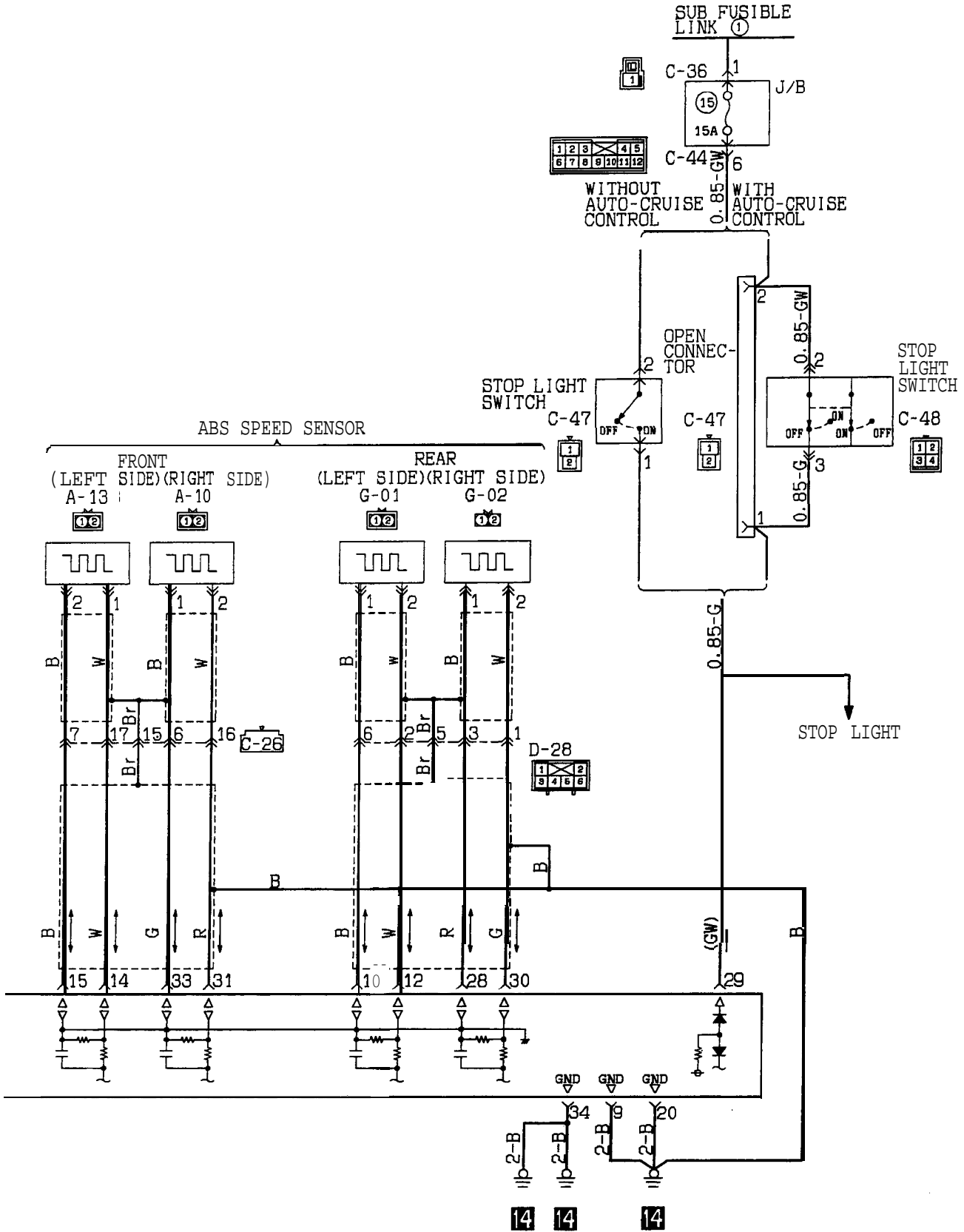
NOTES

ANTI-LOCK BRAKING SYSTEM (ABS) CIRCUIT <FWD (1989 models)>

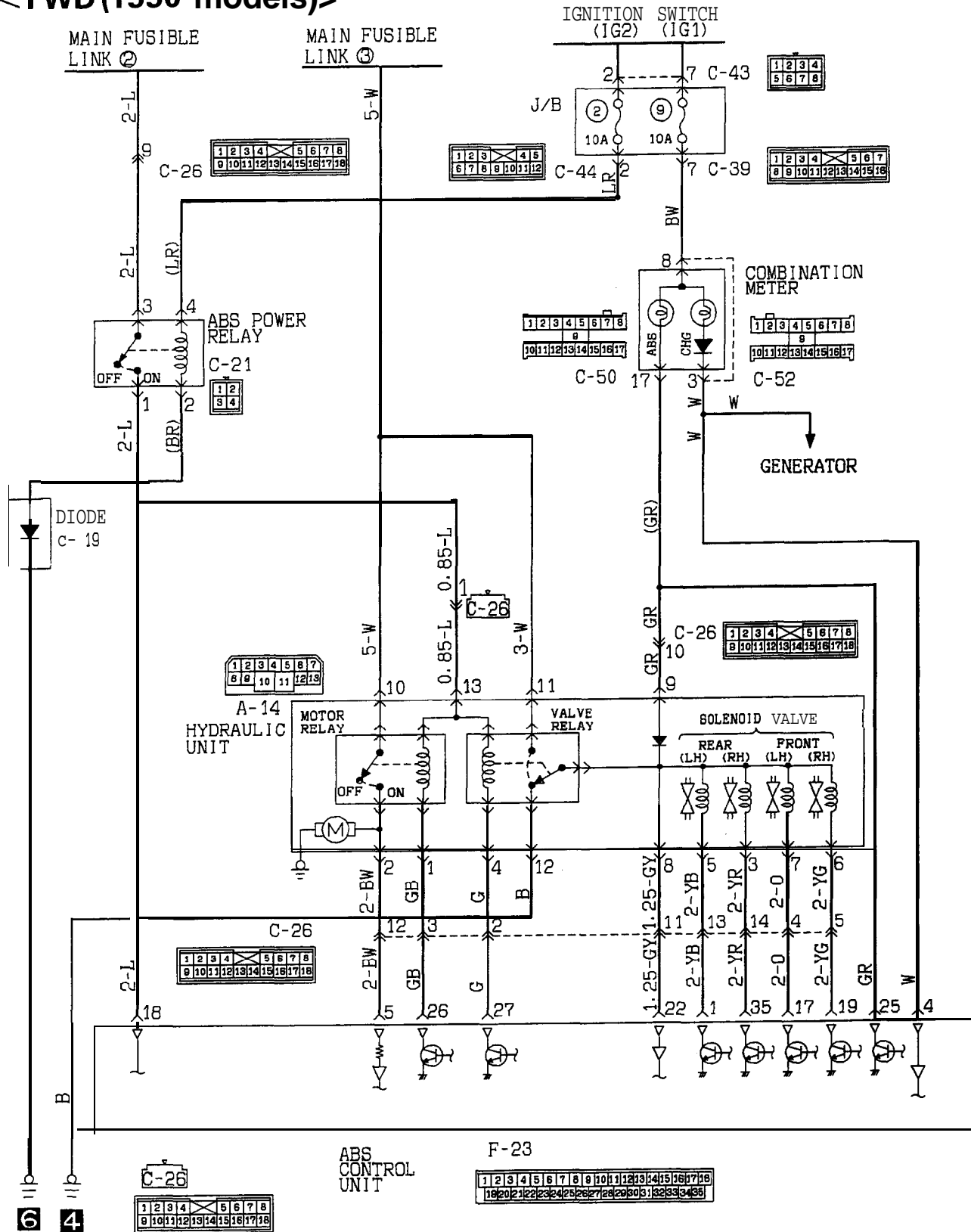


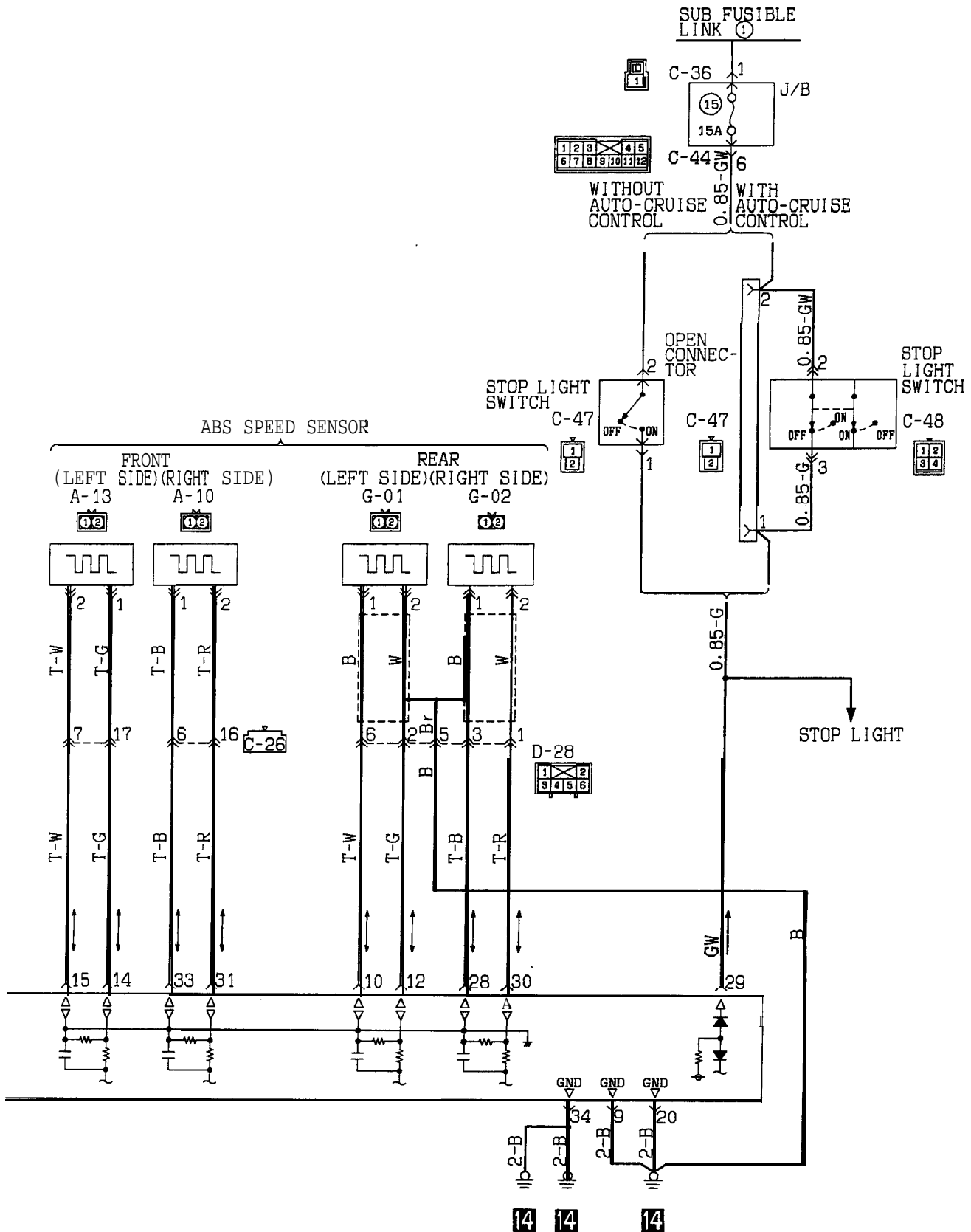
X35-AC-H1528-NM

TSB Revision

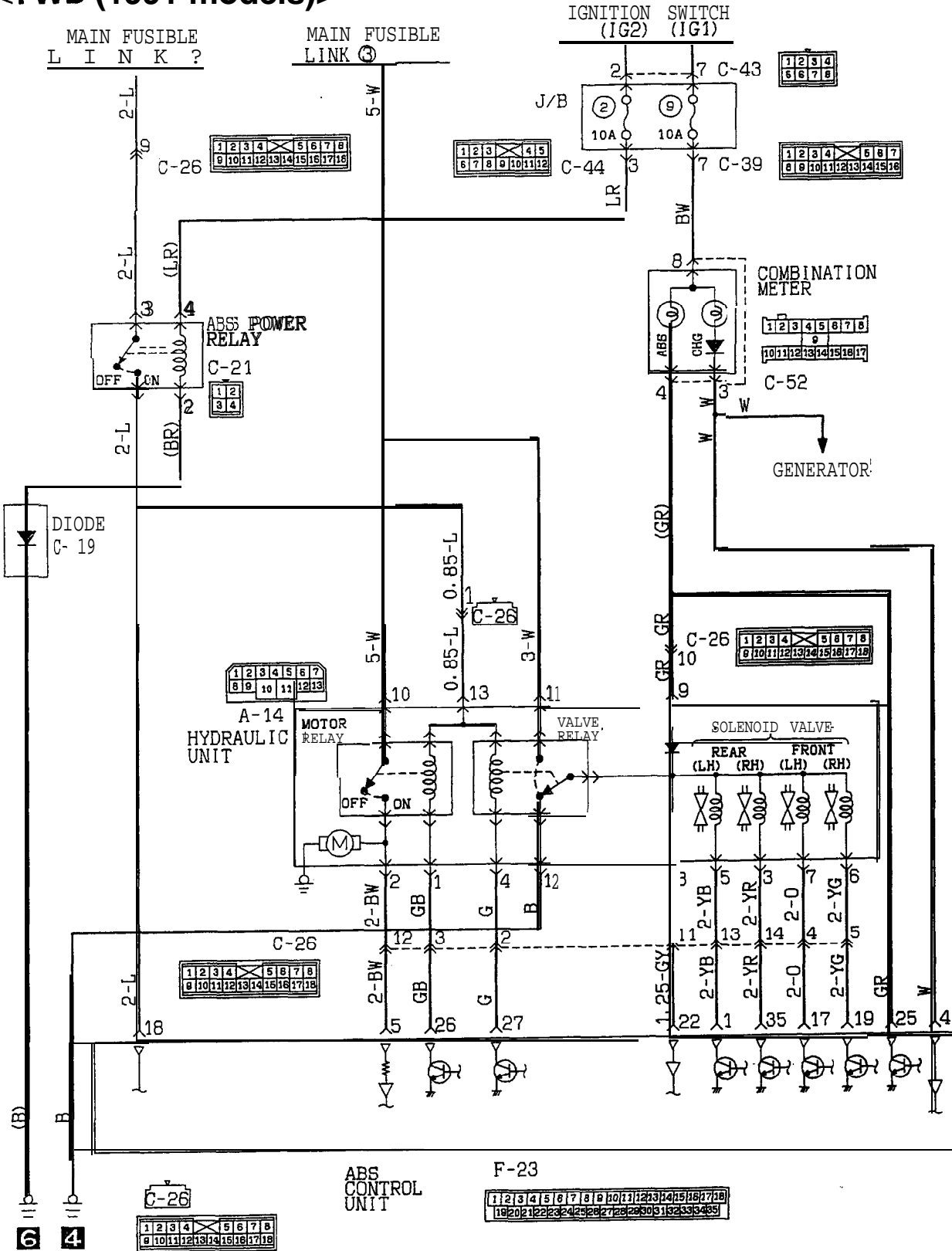


ANTI-LOCK BRAKING SYSTEM (ABS) CIRCUIT < FWD (1990 models) >



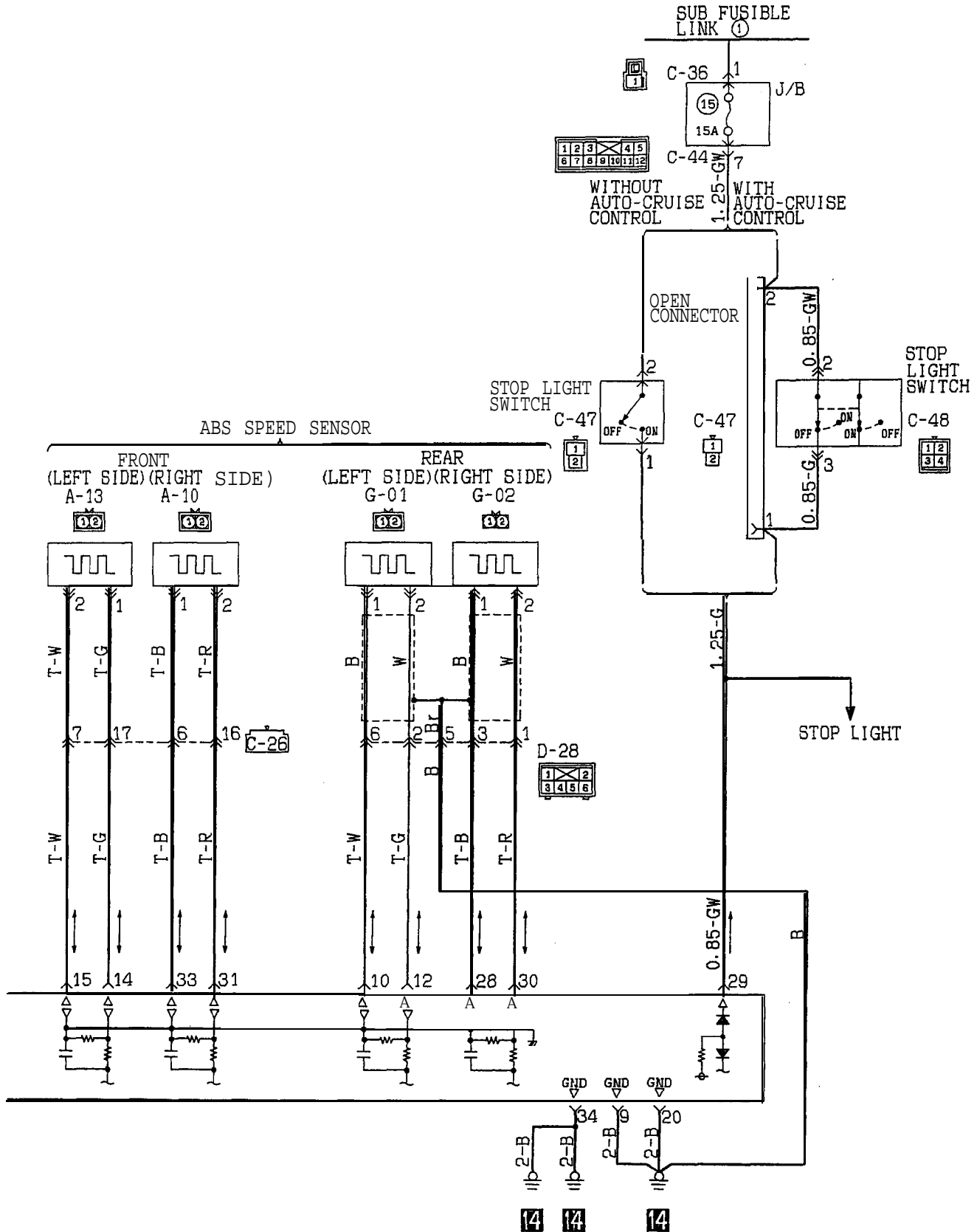


ANTI-LOCK BRAKING SYSTEM (ABS) CIRCUIT <FWD (1991 models)>



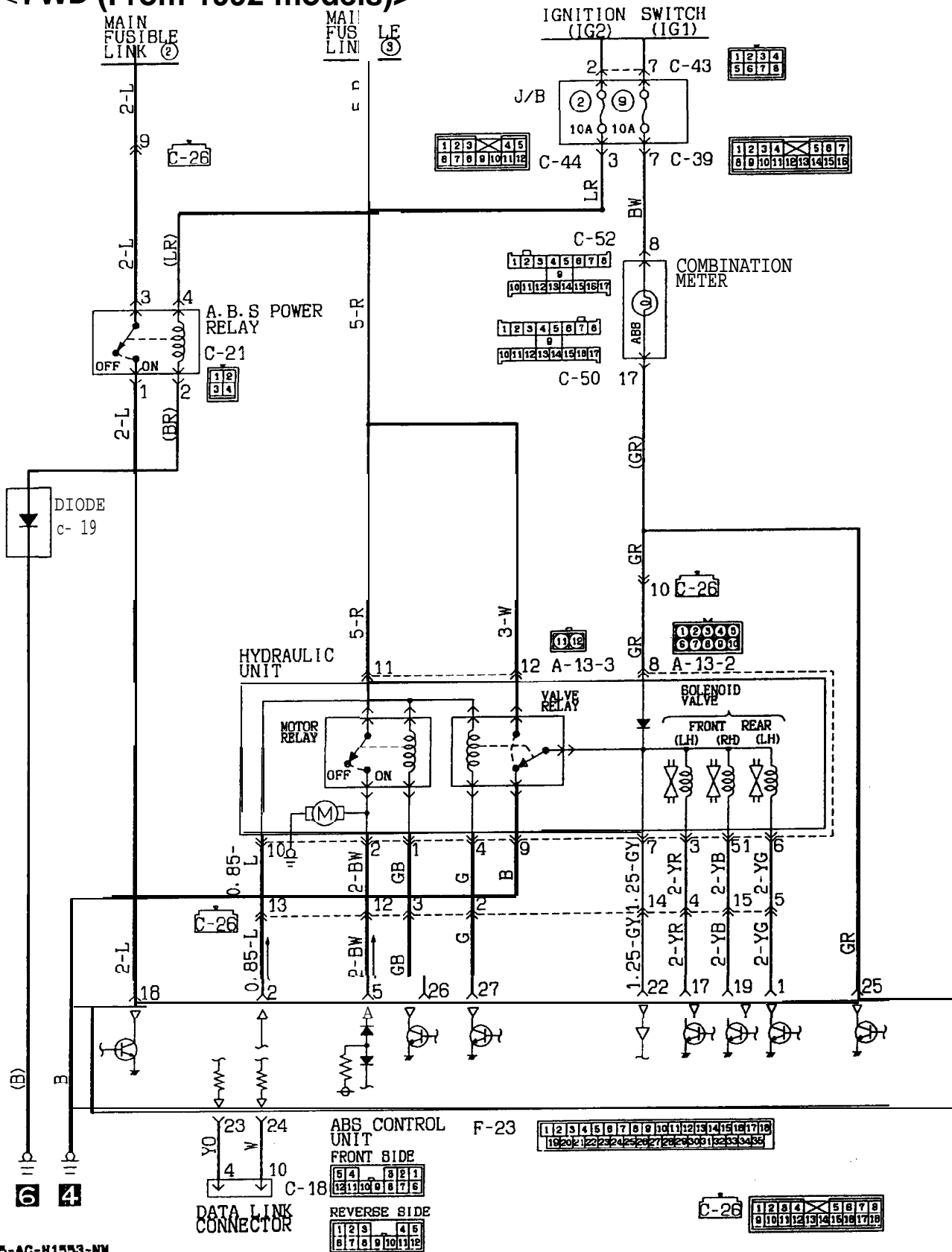
CX35-AC-H1548-NM

TSB Revision



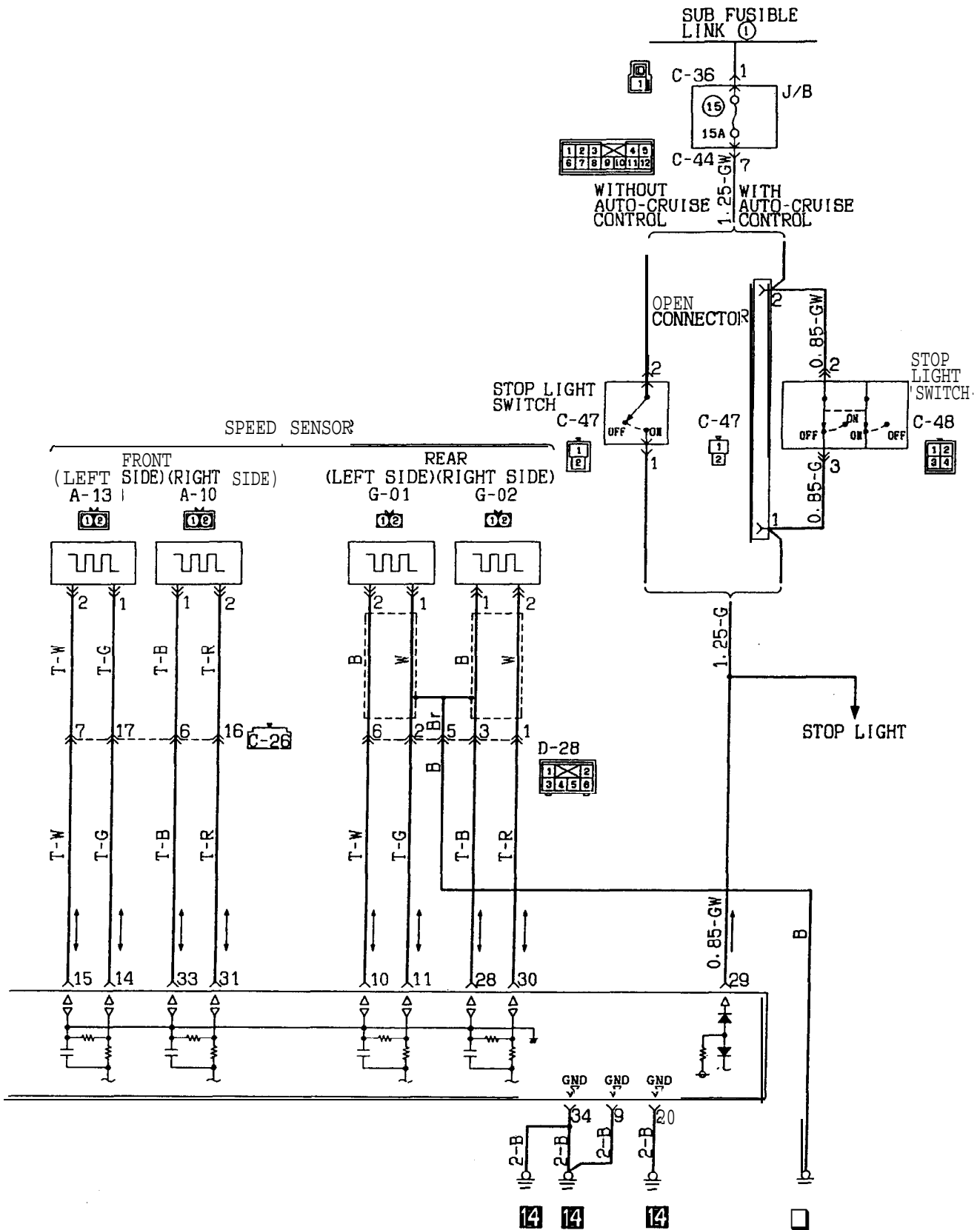
ANTI-LOCK BRAKING SYSTEM (ABS) CIRCUIT

< FWD (From 1992 models) >



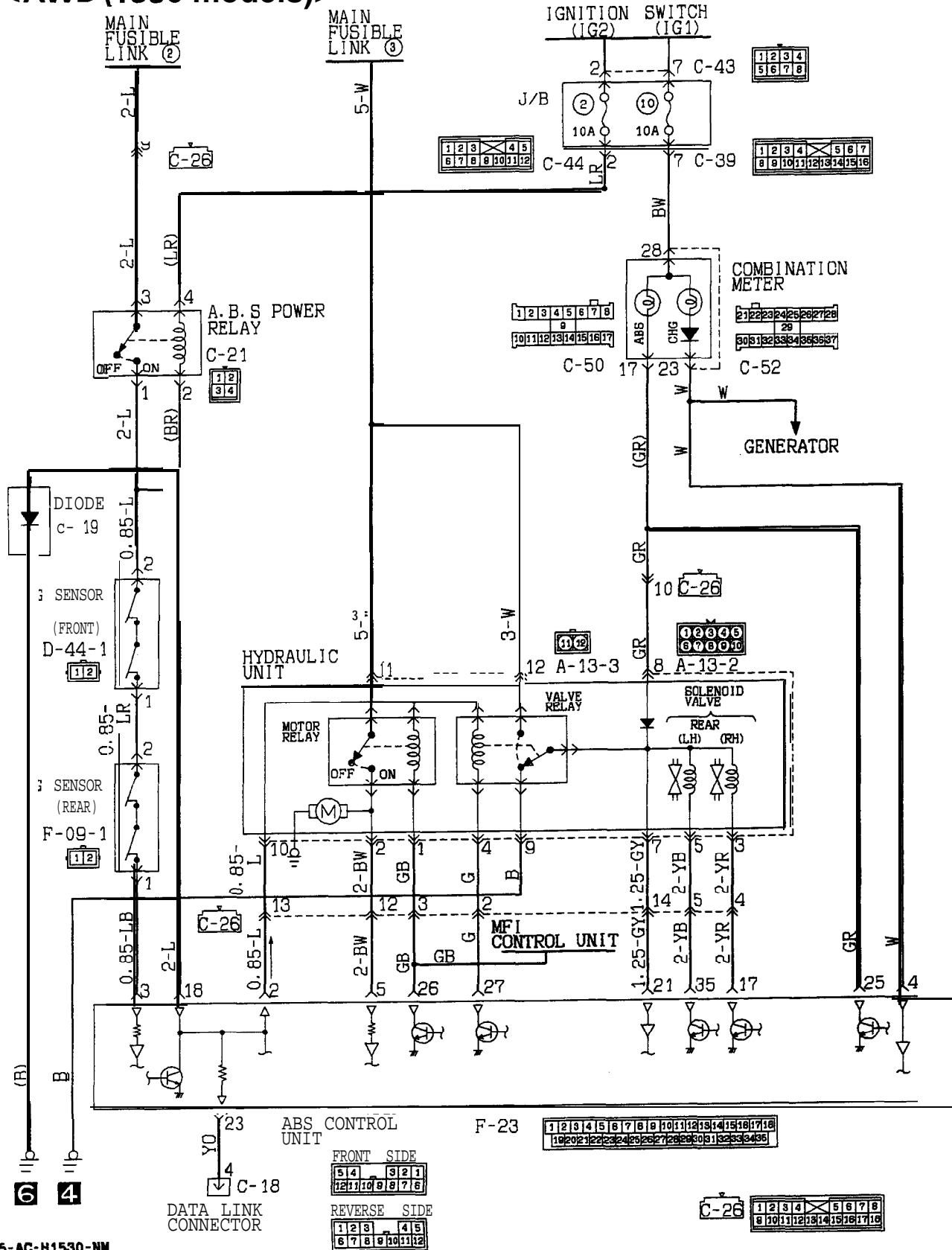
KX35-AC-H1553-NM

TSB Revision



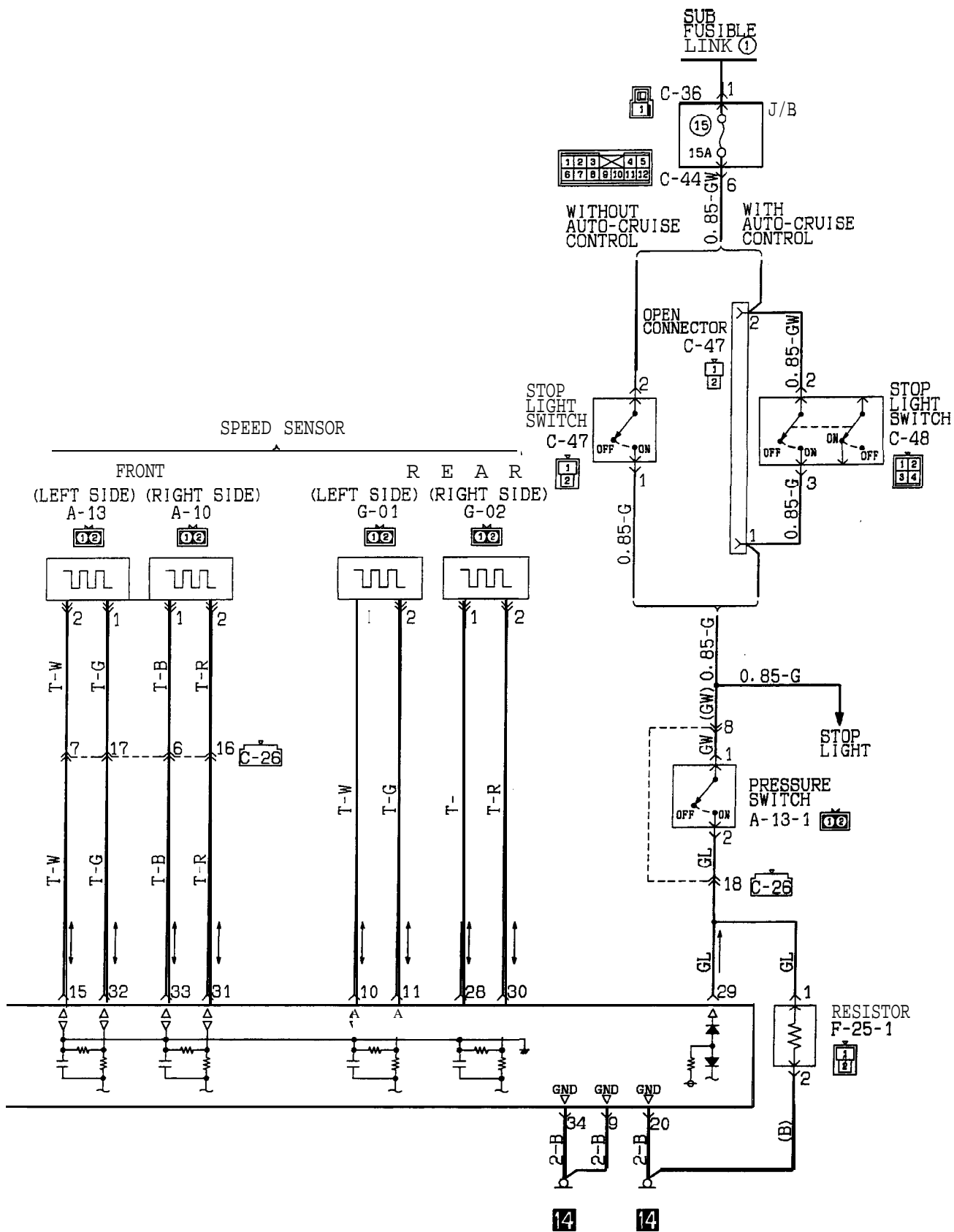
ANTI-LOCK BRAKING SYSTEM (ABS) CIRCUIT

<AWD (1990 models)>



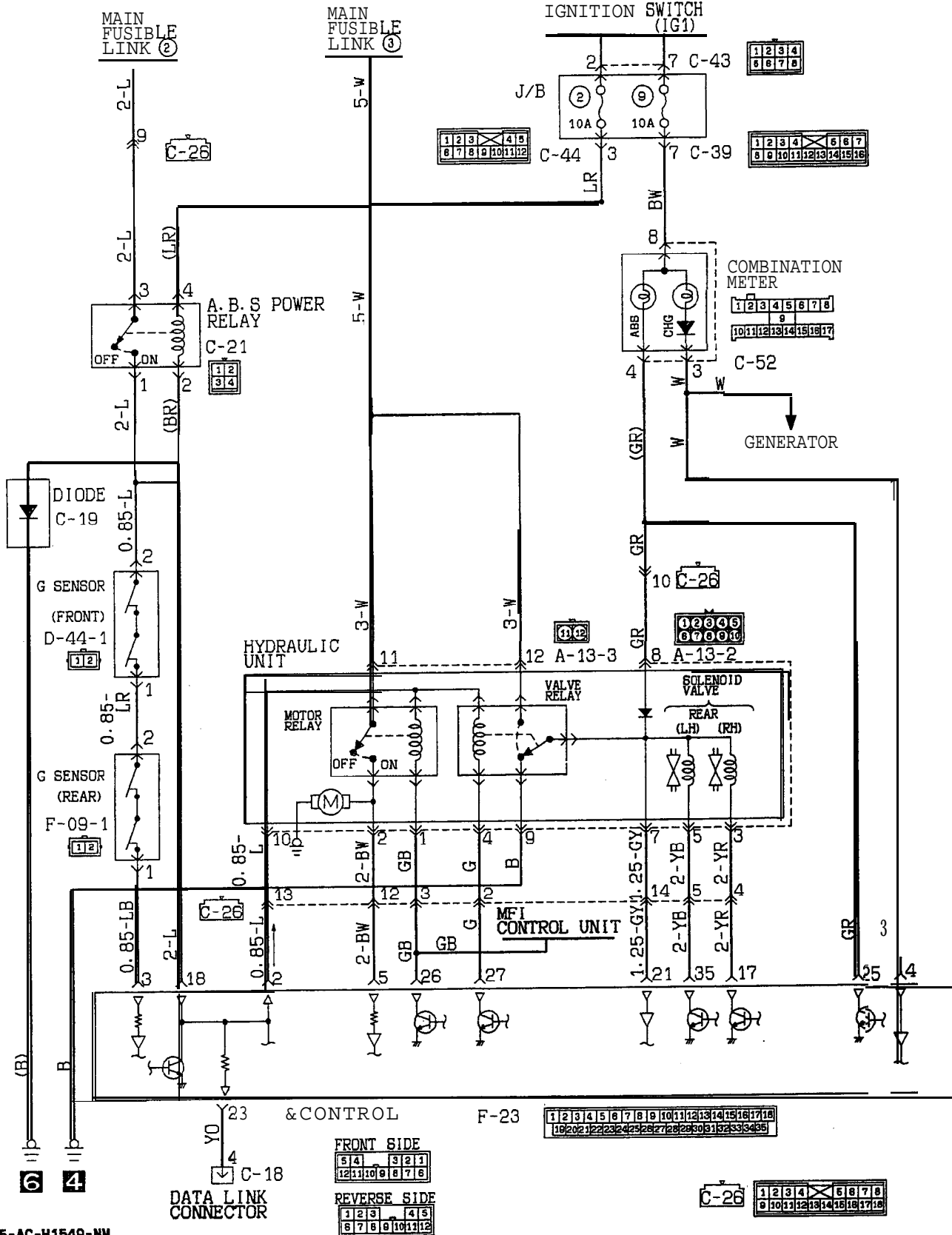
X35-AC-H1530-NM

TSB Revision



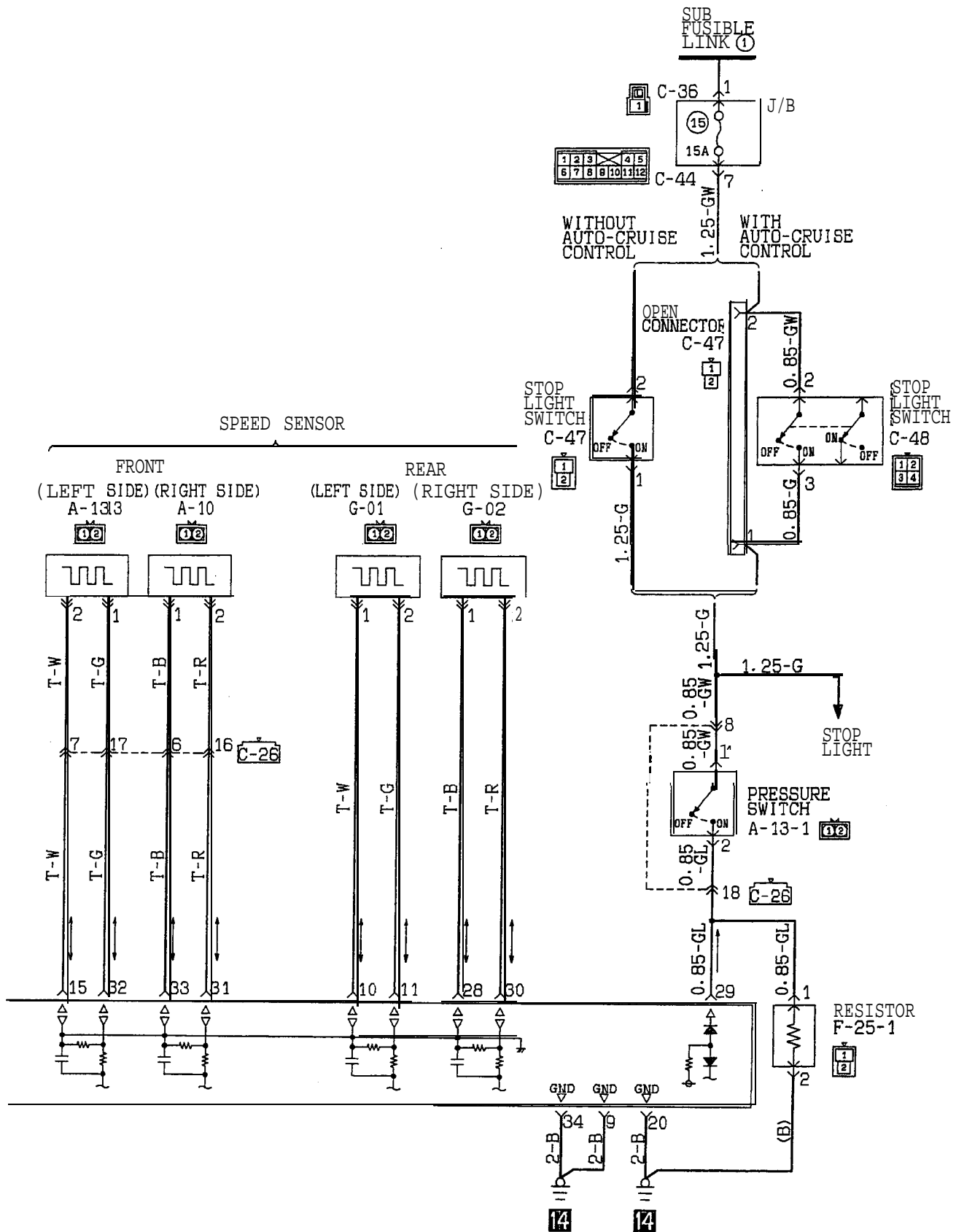
ANTI-LOCK BRAKING SYSTEM (ABS) CIRCUIT

<AWD (1991 models)>



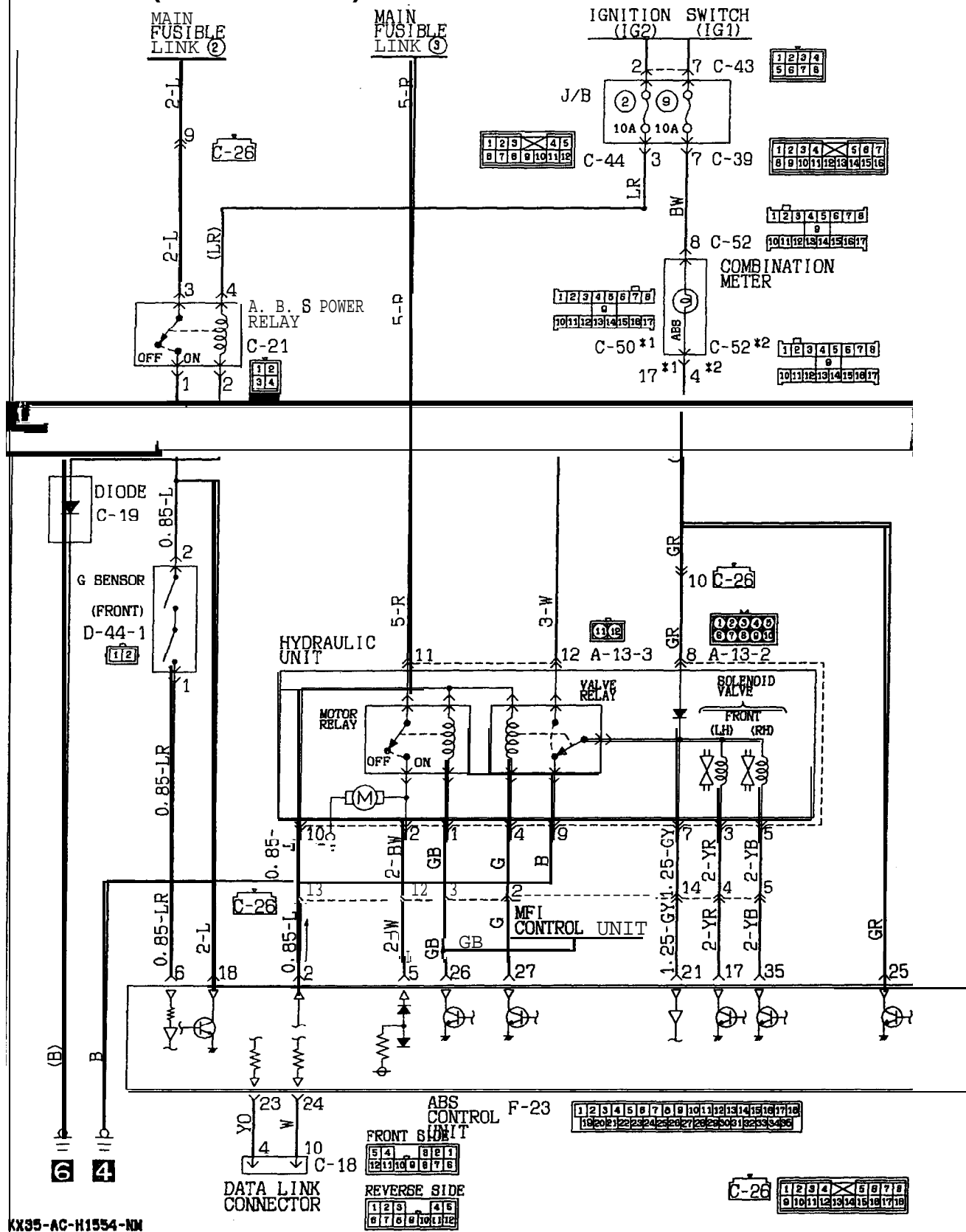
KX35-AC-H1549-NM

TSB Revision



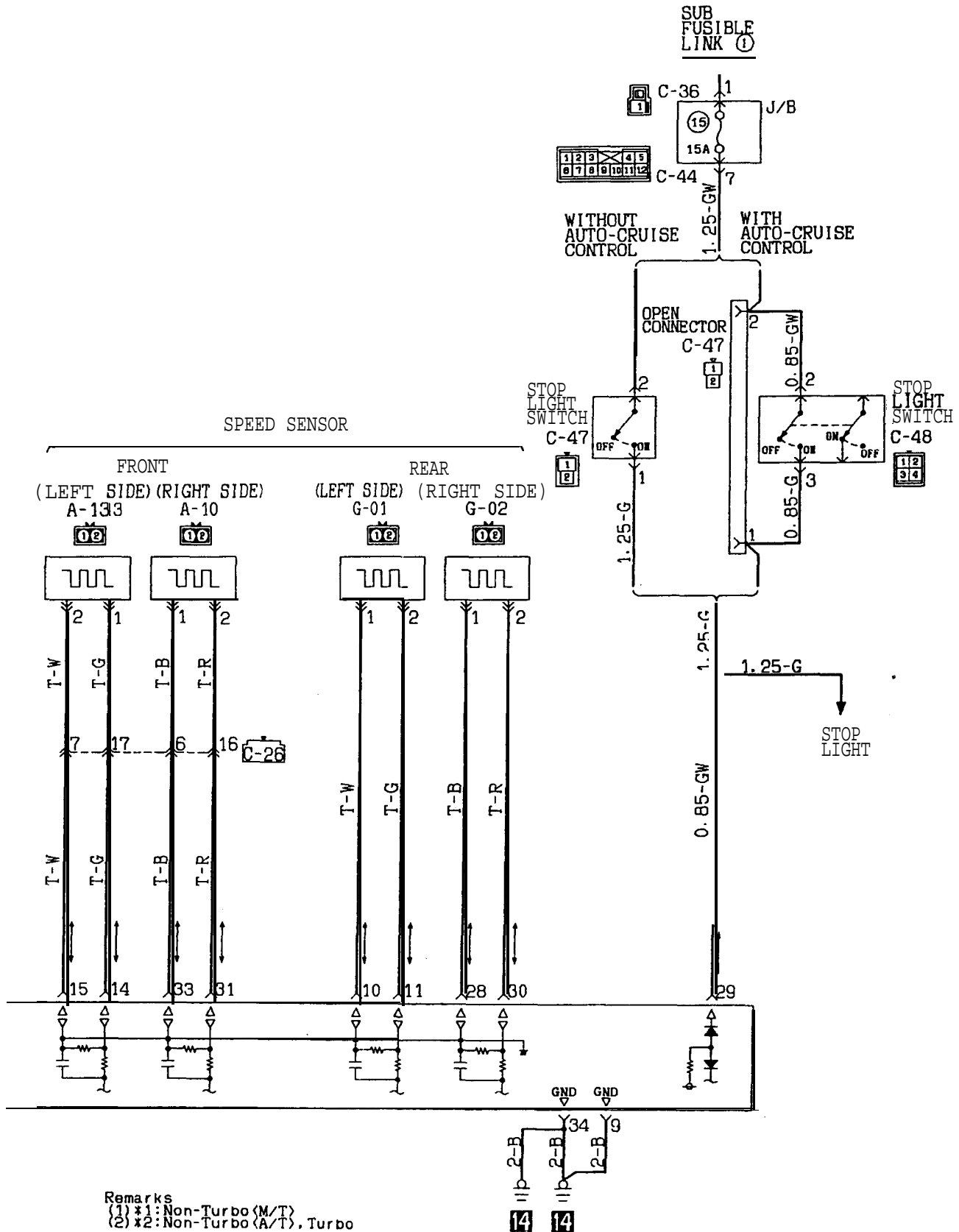
ANTI-LOCK BRAKING SYSTEM (ABS) CIRCUIT

<AWD (1992 models)>



KX95-AC-H1554-NM

TSB Revision

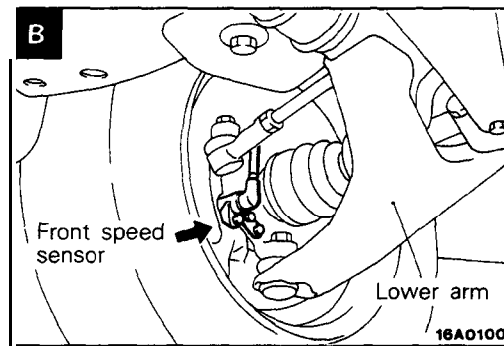
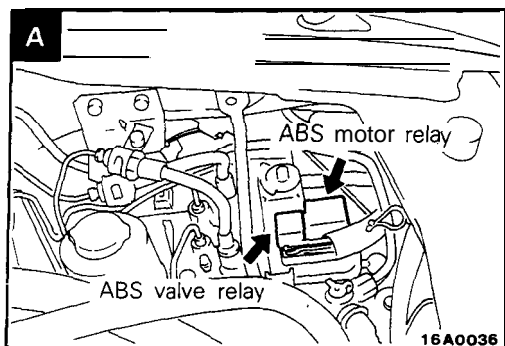
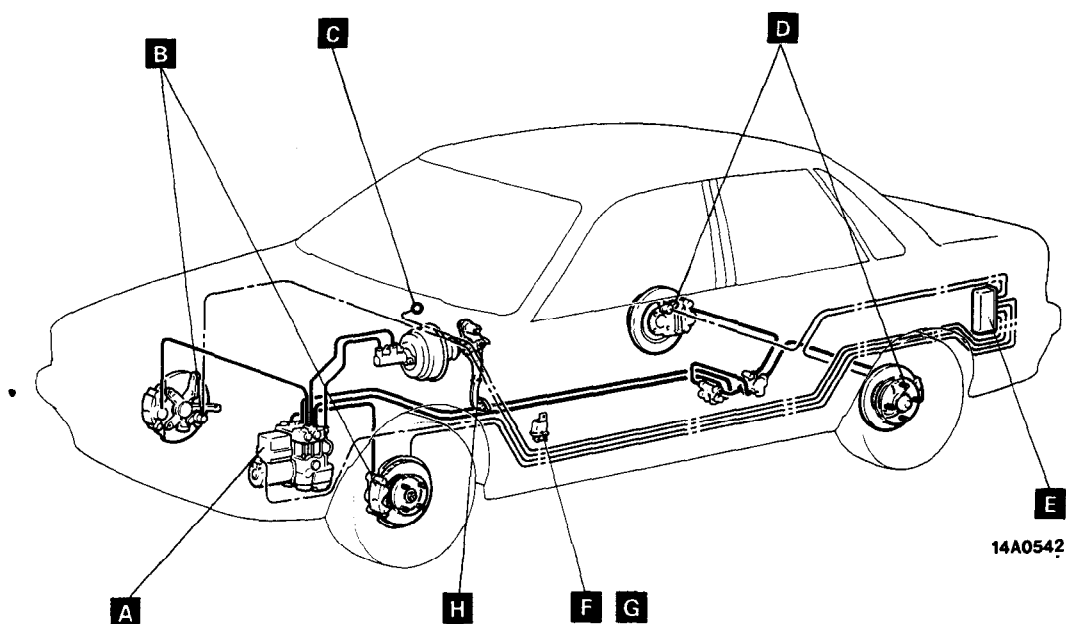


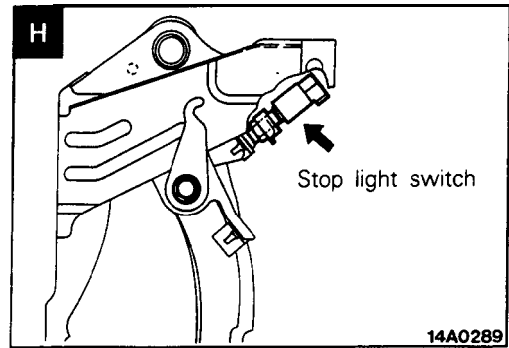
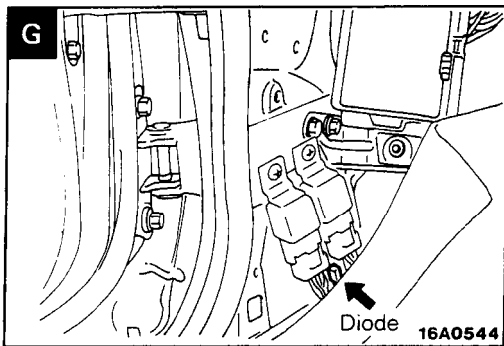
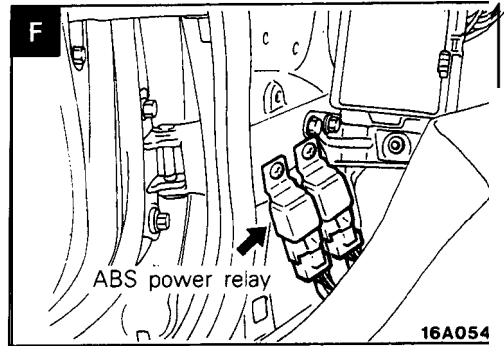
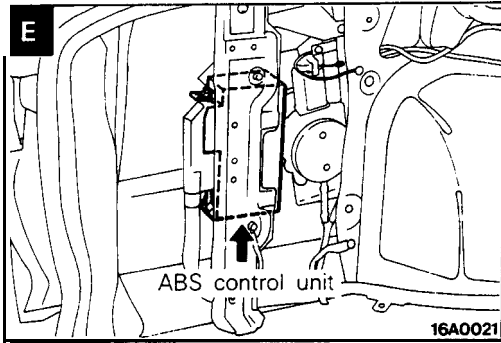
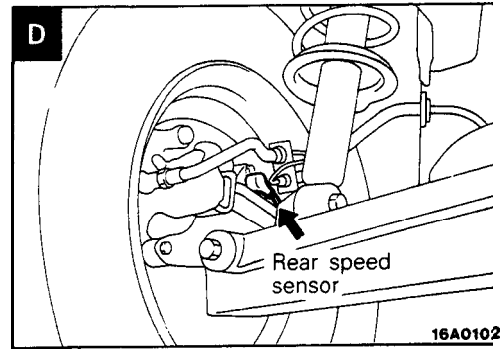
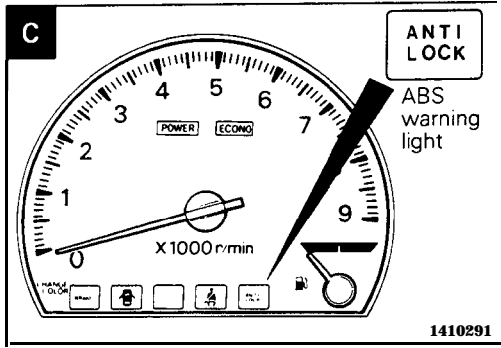
COMPONENT LOCATION

<FWD >

Name	Symbol	Name	Symbol
ABS control unit	E	Diode	G
ABS motor relay	A	Front speed sensor	B
ABS power relay	F	Rear speed sensor	D
ABS valve relay	A	Stop light switch	H
ABS warning light	C		

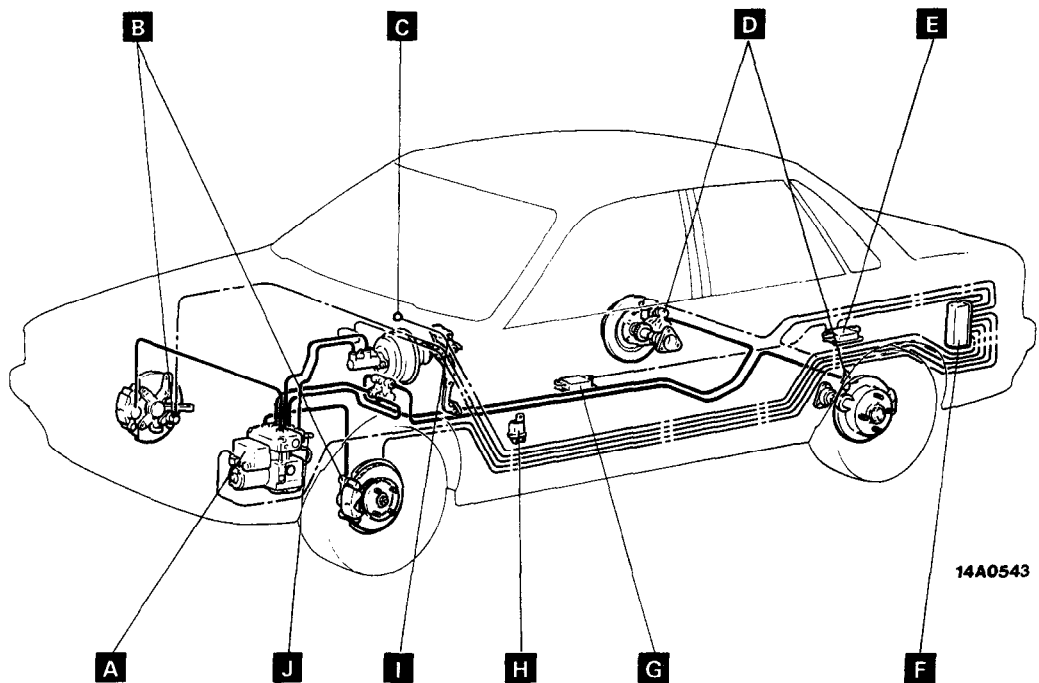
NOTE
The "name" column is arranged in alphabetical order.



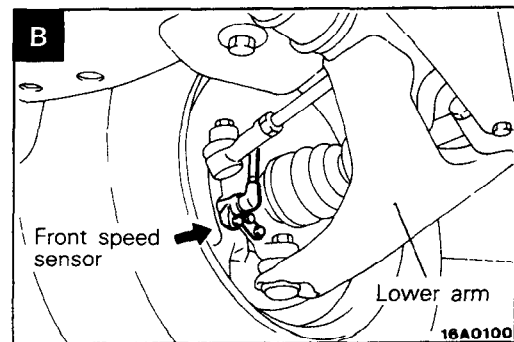
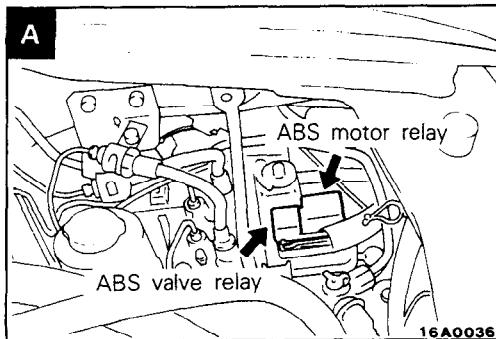


<AWD >

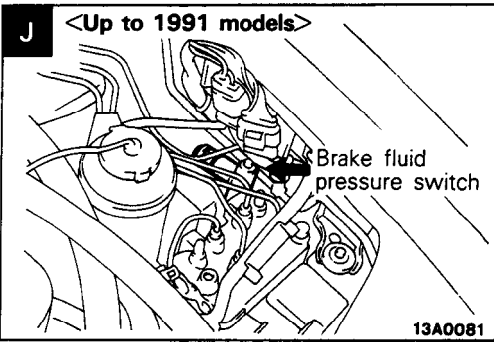
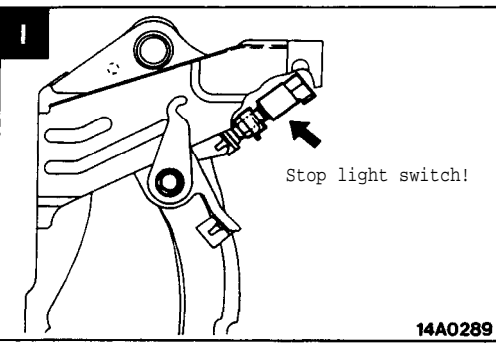
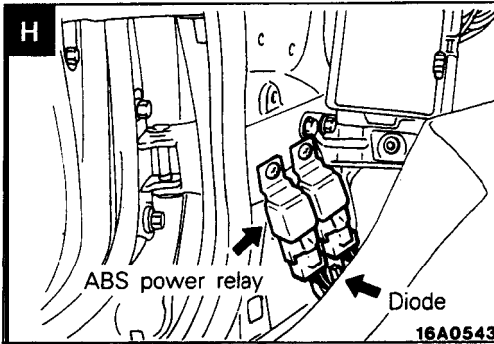
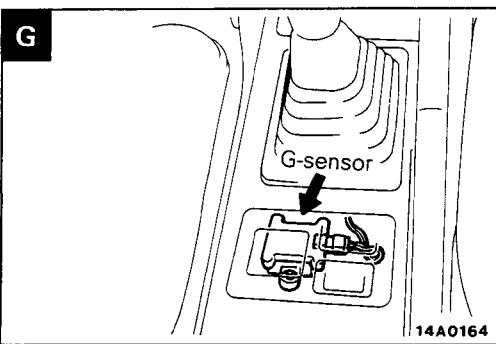
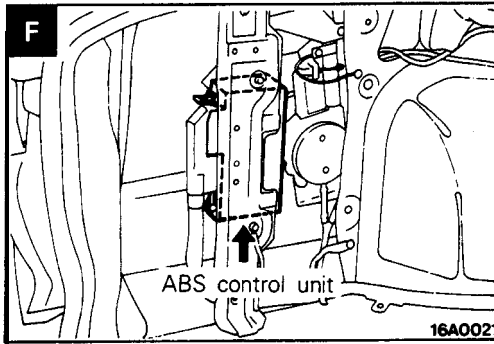
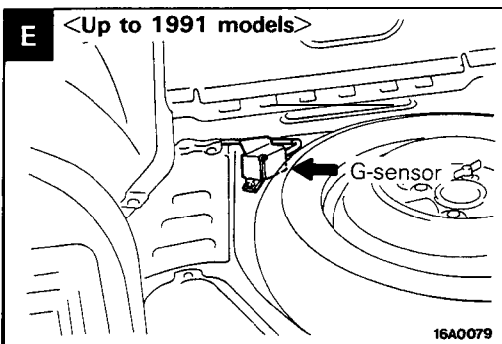
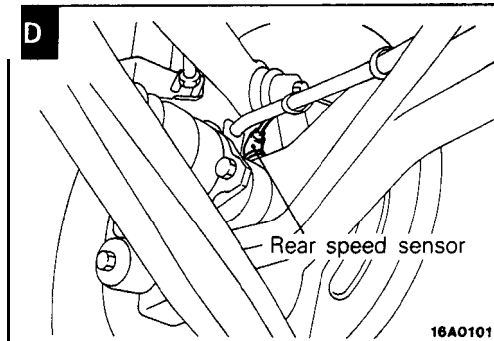
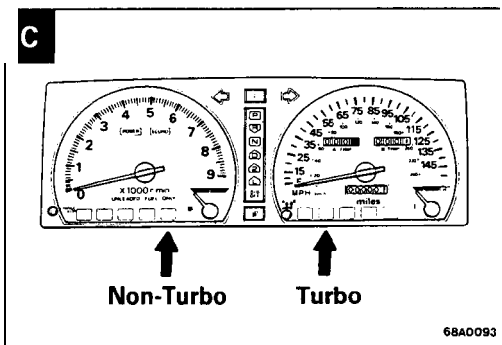
Name	Symbol	Name	Symbol
ABS control unit	F	Diode	H
ABS motor relay	A	Front speed sensor	B
ABS power relay	H	G-sensor (front)	G
ABS valve relay	A	G-sensor (rear)	E
ABS warning light	C	Rear speed sensor	D
Brake fluid pressure switch	J	Stop light switch	I



14A0543

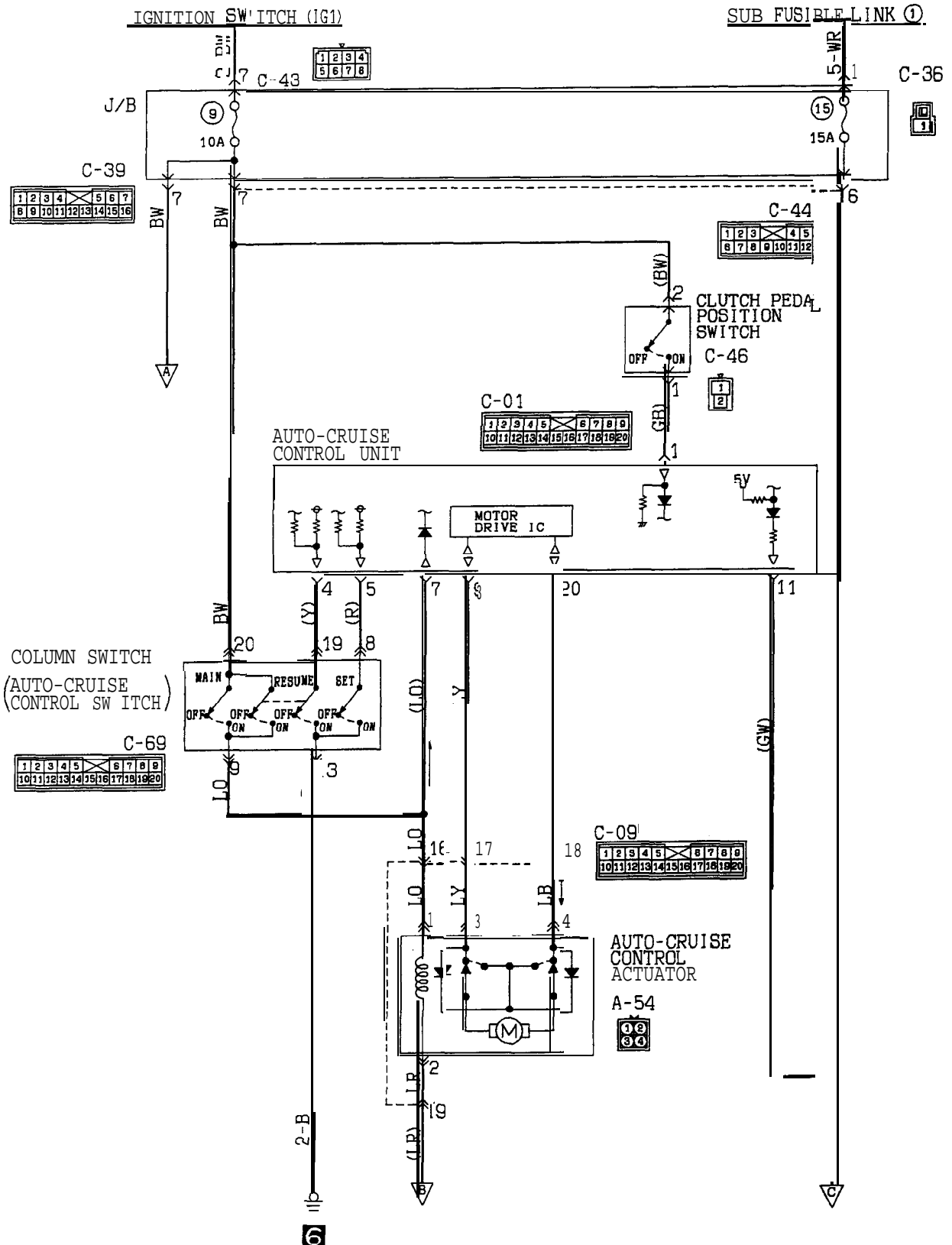


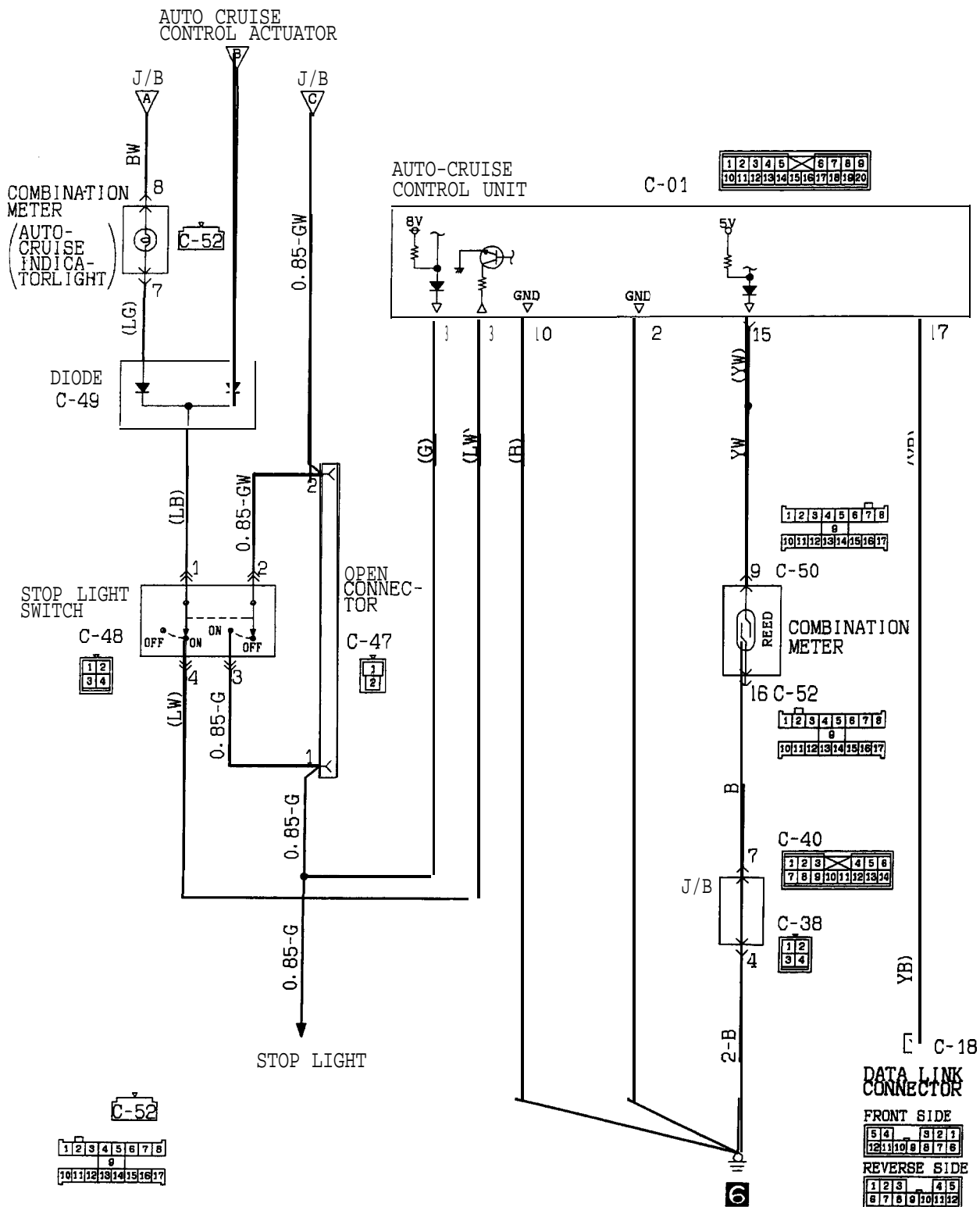
TSB Revision



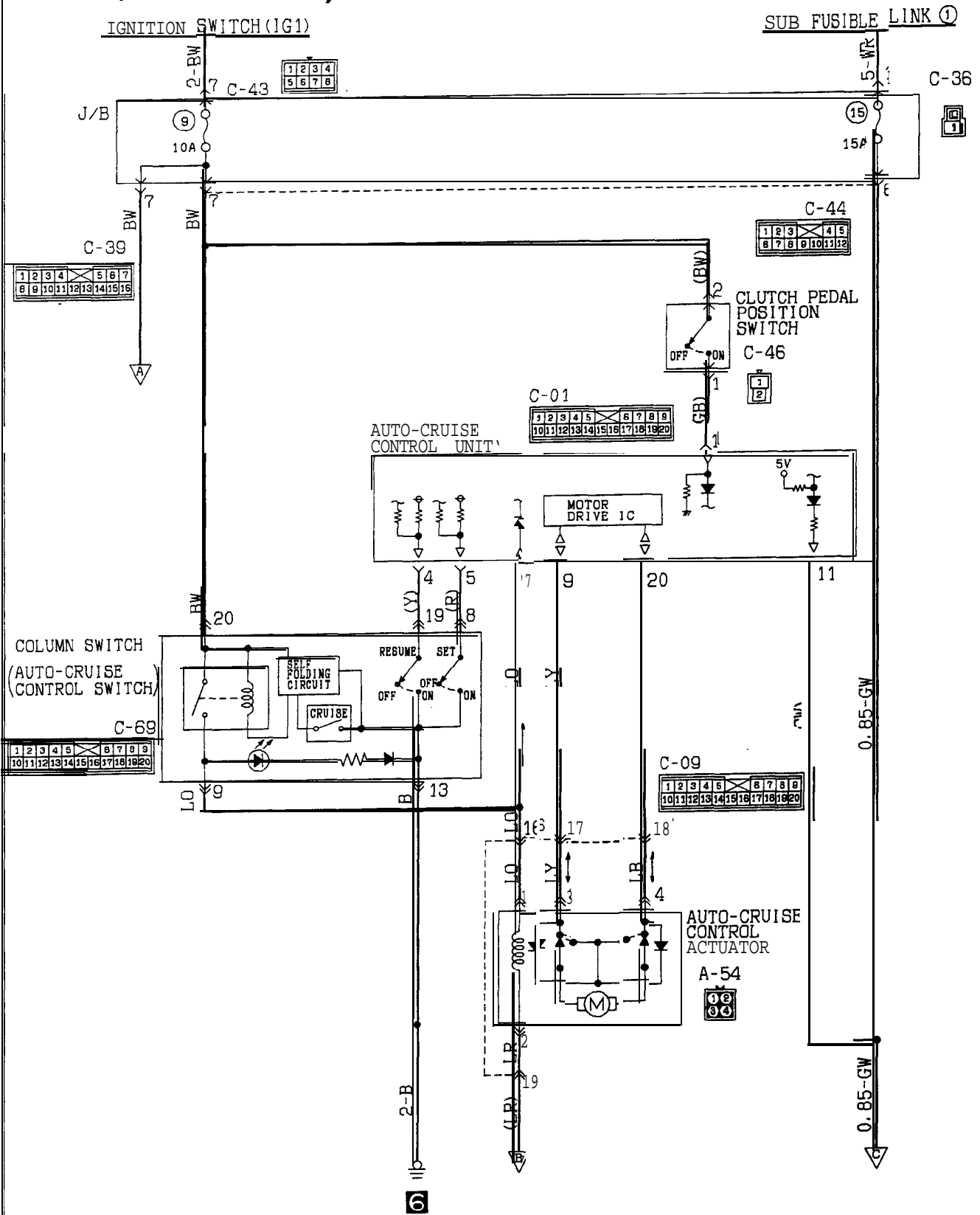
AUTO-CRUISE CONTROL CIRCUIT

<M/T (1989 models)>



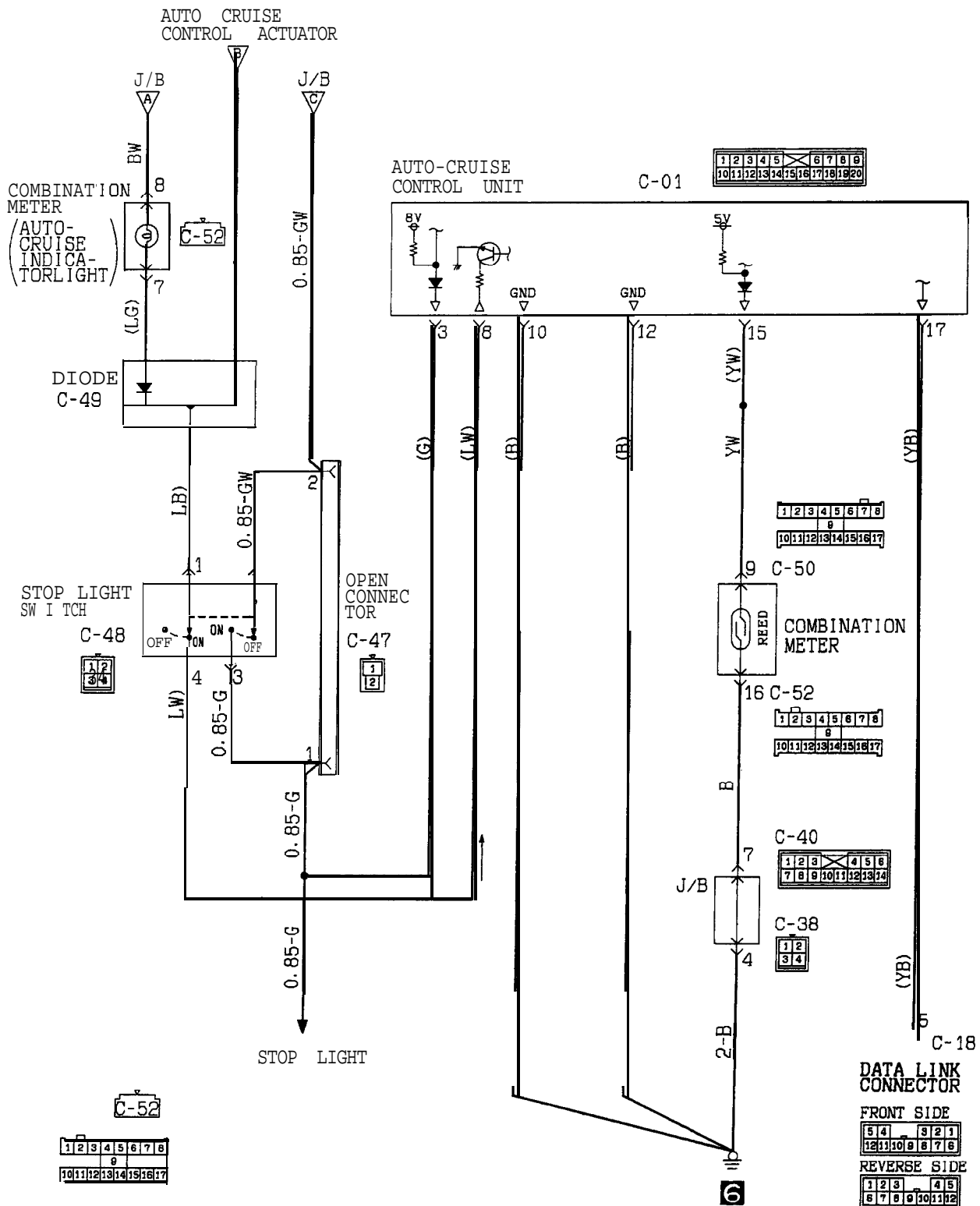


AUTO-CRUISE CONTROL CIRCUIT <M/T (1990 models)>

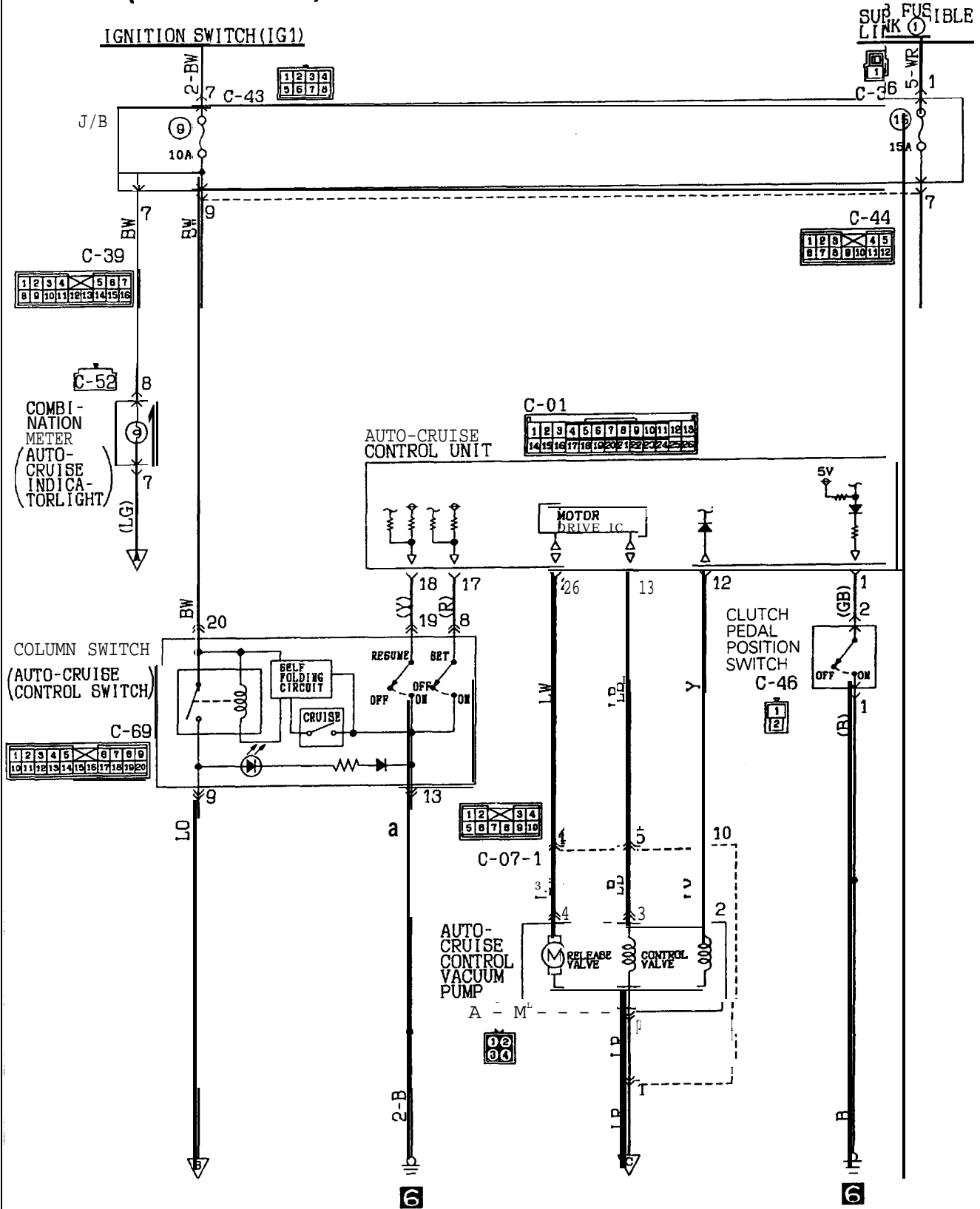


K35-AC-H1535-NM

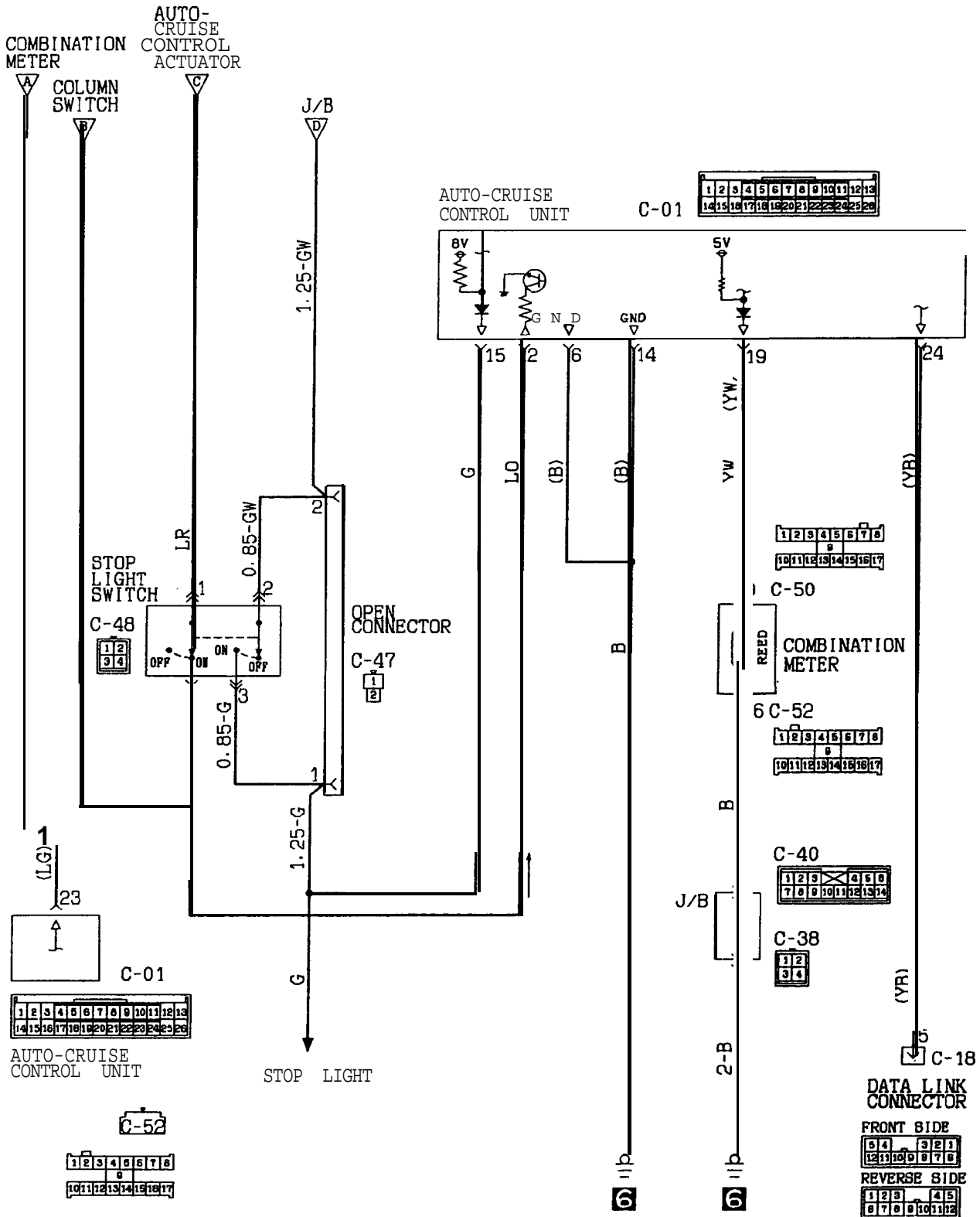
TSB Revision



AUTO-CRUISE CONTROL CIRCUIT <M/T (1991 models)>



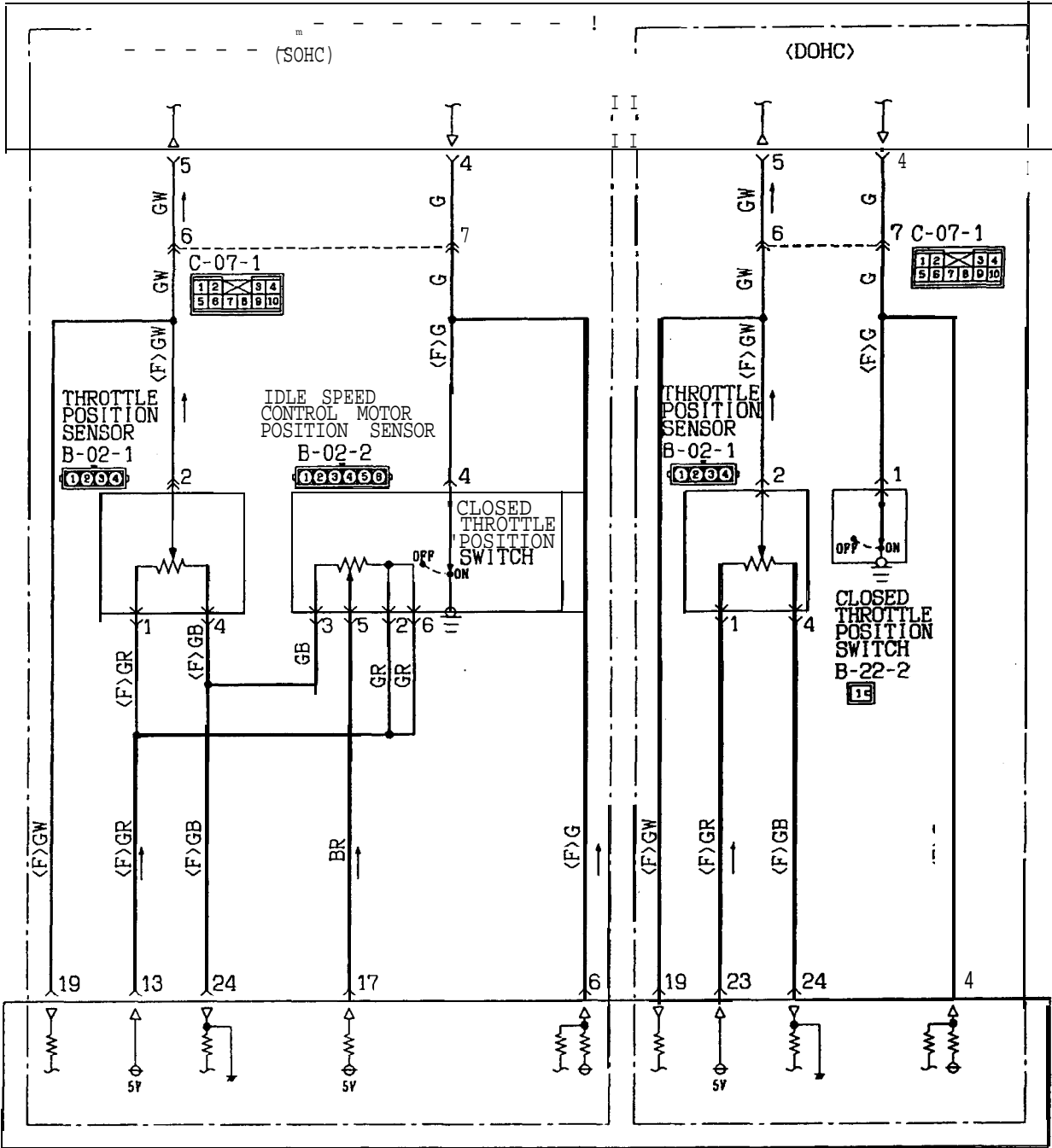
135-AC-H1555-NW



AUTO-CRUISE CONTROL CIRCUIT (CONTINUED)

<M/T (1991 models)>

AUTO-CRUISE CONTROL UNIT C-01

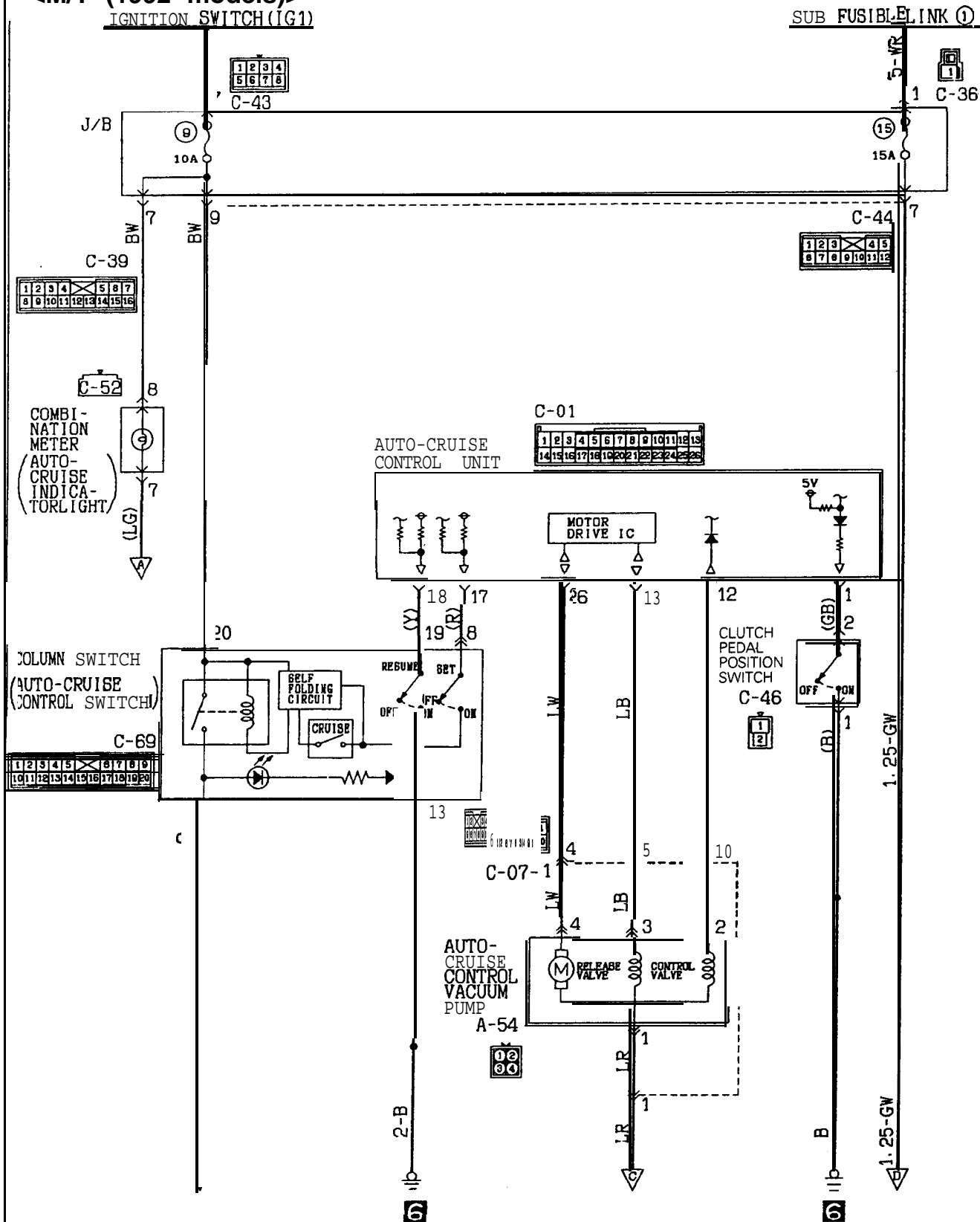


MFI CONTROL UNIT C-12



AUTO-CRUISE CONTROL CIRCUIT

<M/T (1992 models)>

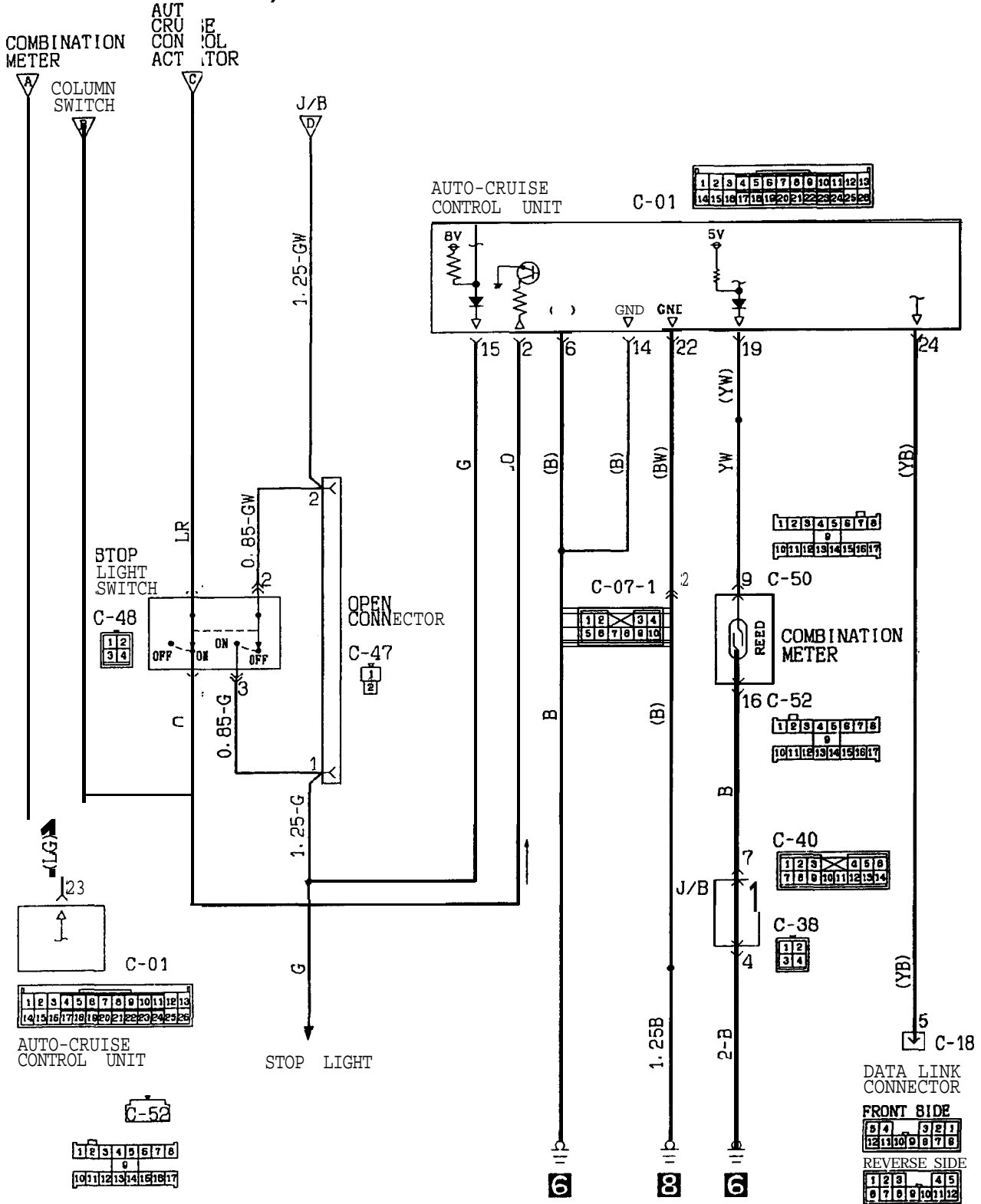


KX35-AC-H1558-NM

TSB Revision

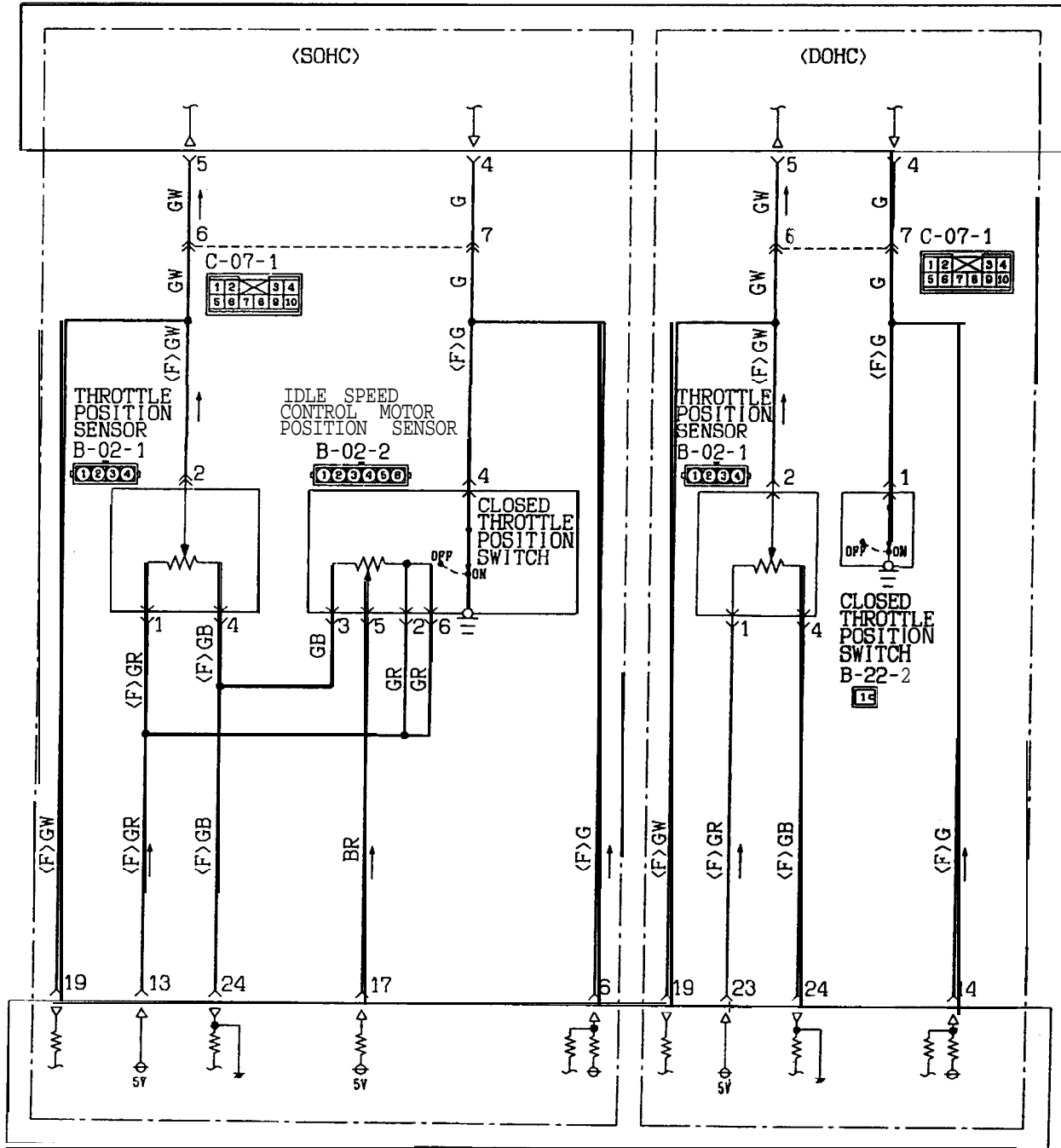
AUTO-CRUISE CONTROL CIRCUIT (CONTINUED)

<M/T (1 992 models)>



AUTO-CRUISE CONTROL UNIT C-01

1	2	3	4	5	6	7	8	9	10	11	12	13
14	15	16	17	18	19	20	21	22	23	24	25	26



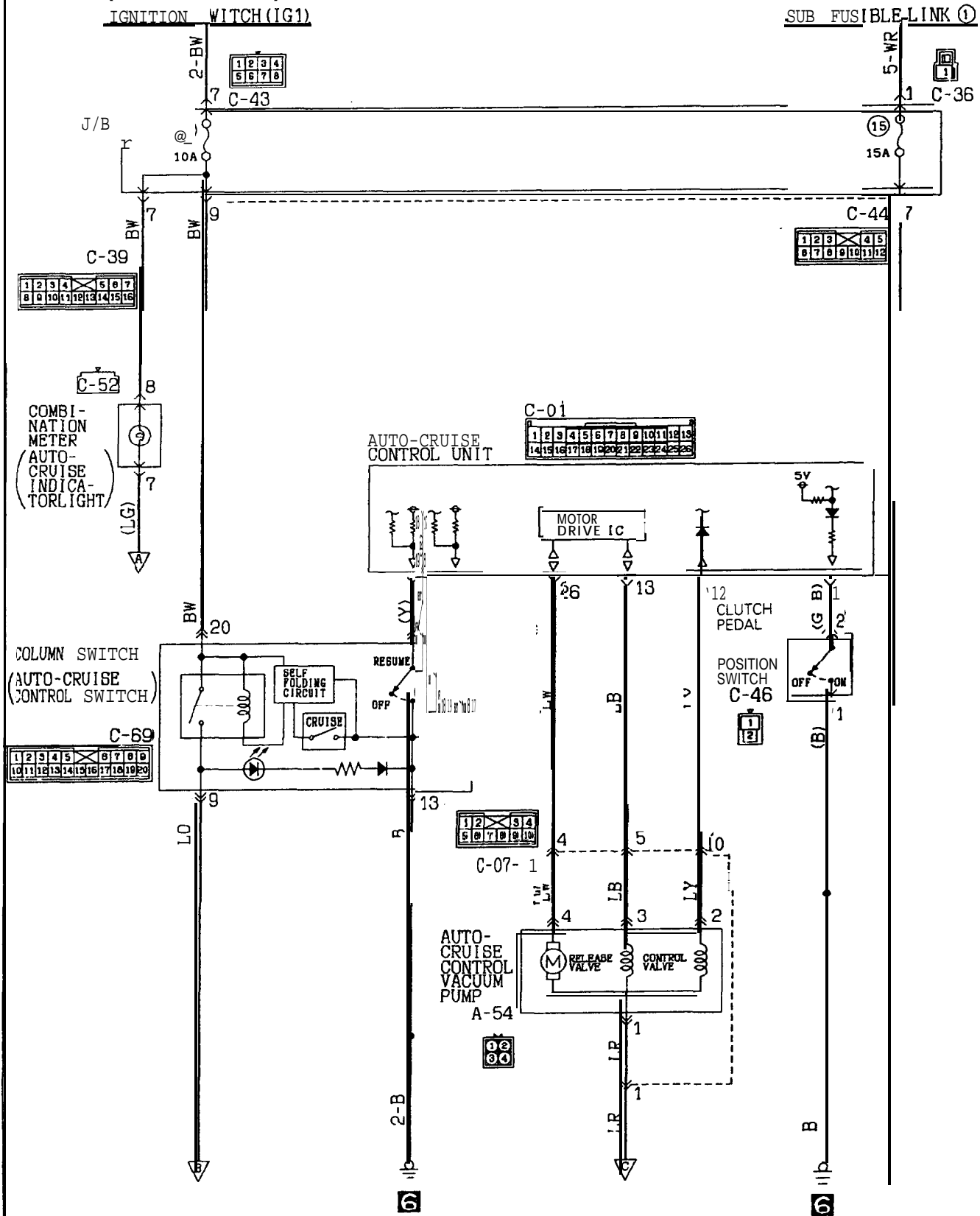
MFI CONTROL UNIT

C-12

1	2	3	4	5	6	7	8	9	10	11	12
13	14	15	16	17	18	19	20	21	22	23	24

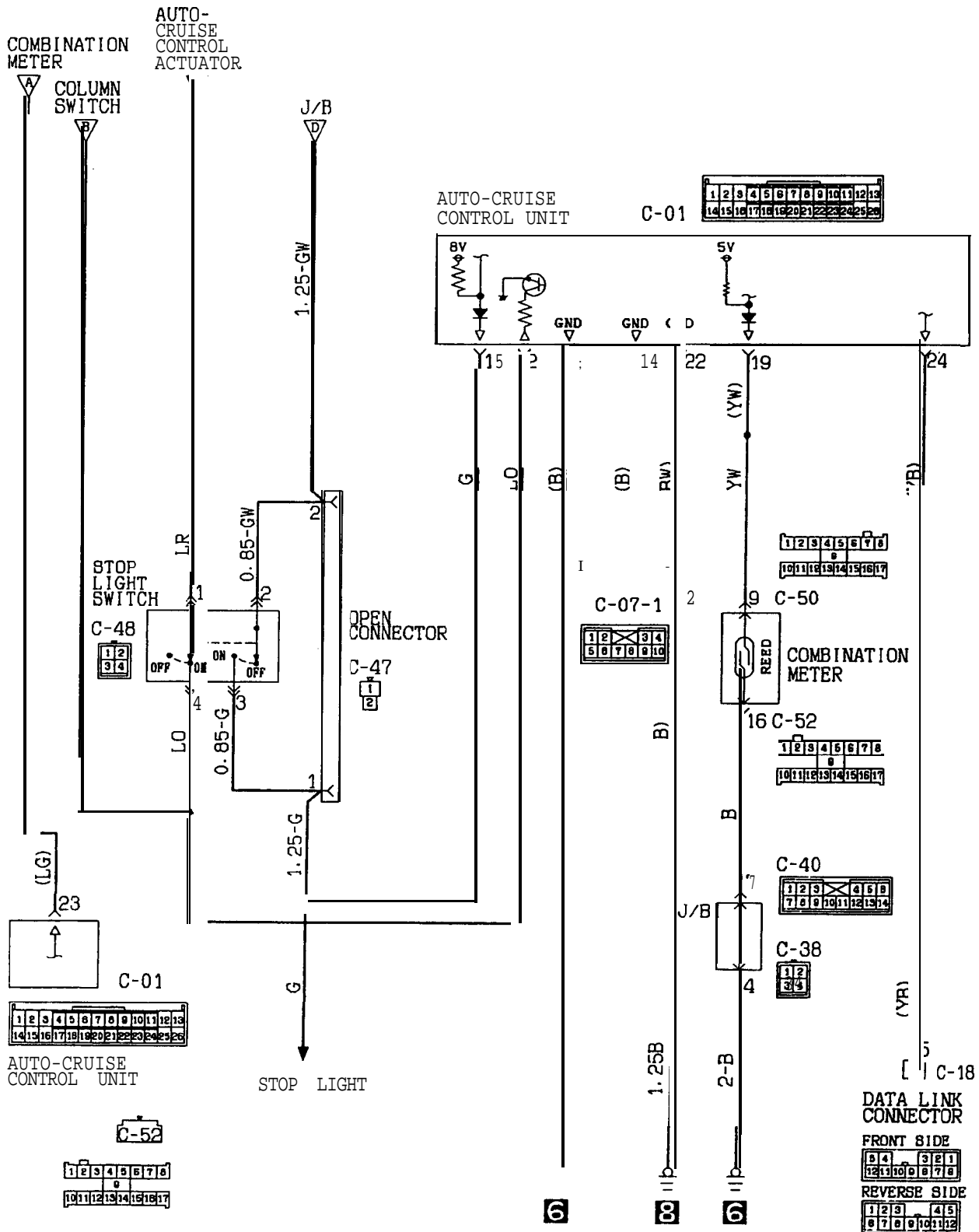
AUTO-CRUISE CONTROL CIRCUIT

<M/T (1993 models)>



KX35-AC-H1558-NM

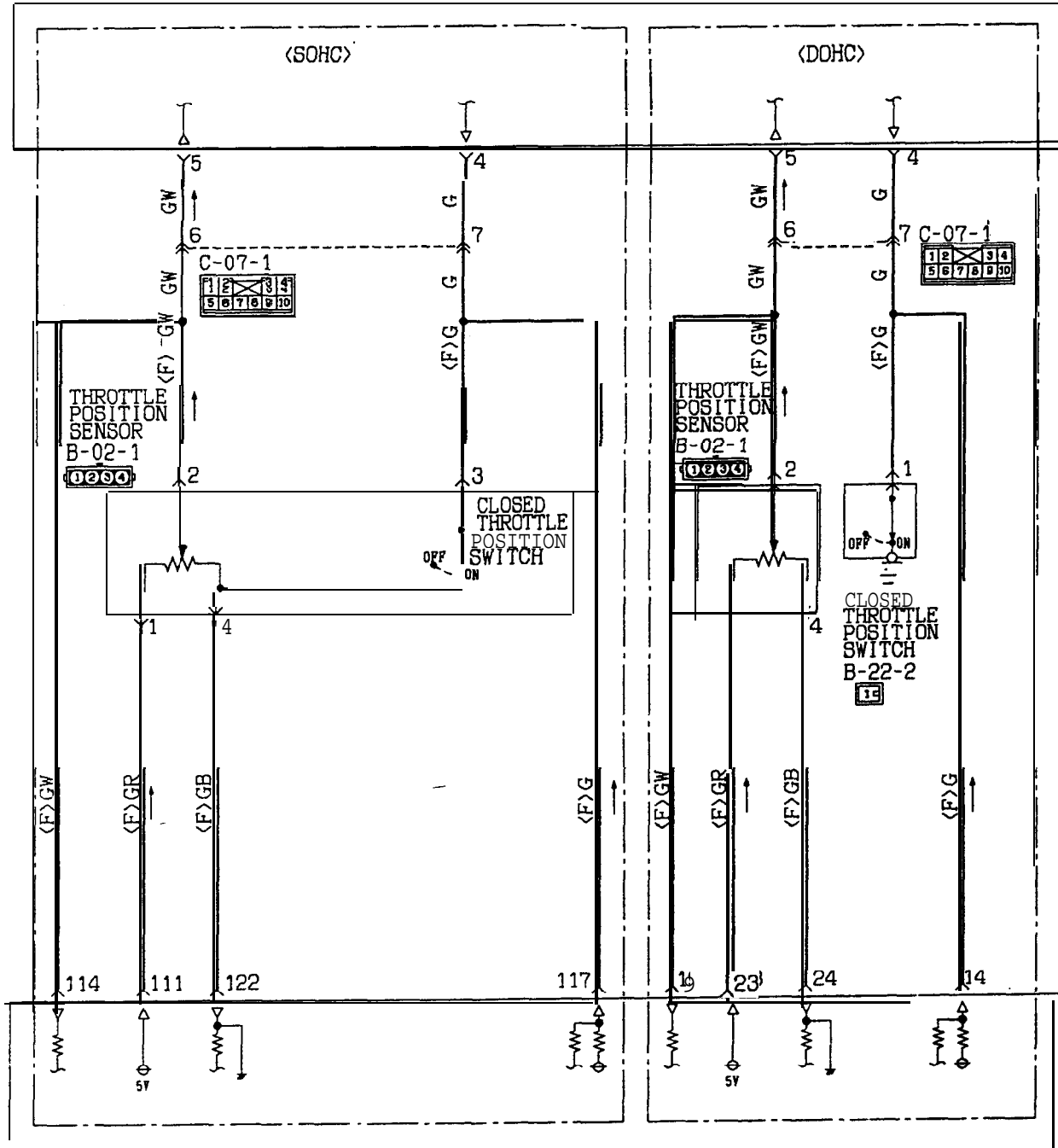
TSB Revision



AUTO-CRUISE CONTROL CIRCUIT (CONTINUED)

<M/T (1993 models)>

AUTO-CRUISE CONTROL UNIT C-01



MF CONTROL UNIT

C-12 <SOHC>



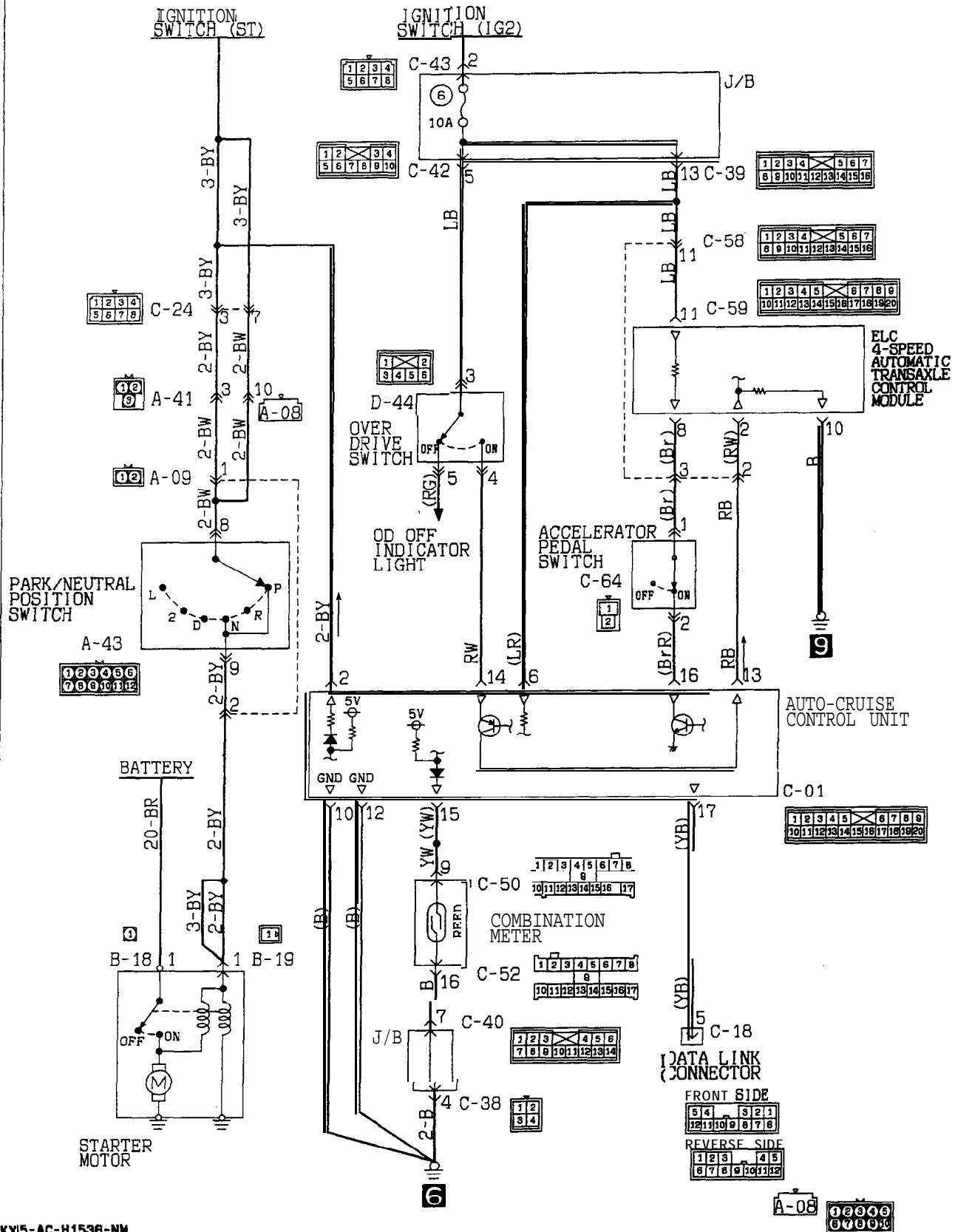
C-12 <DOHC>

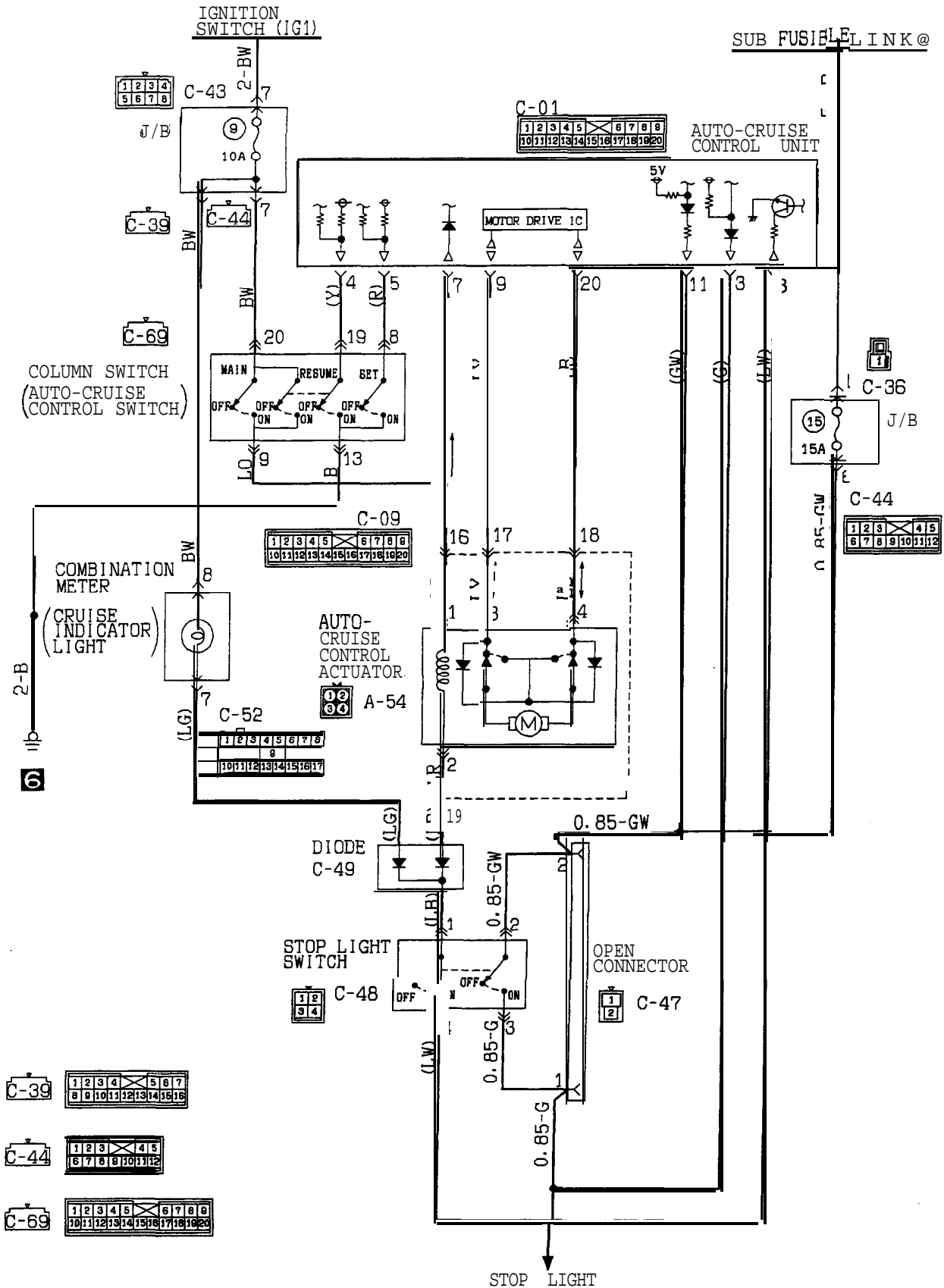


NOTES

AUTO-CRUISE CONTROL CIRCUIT

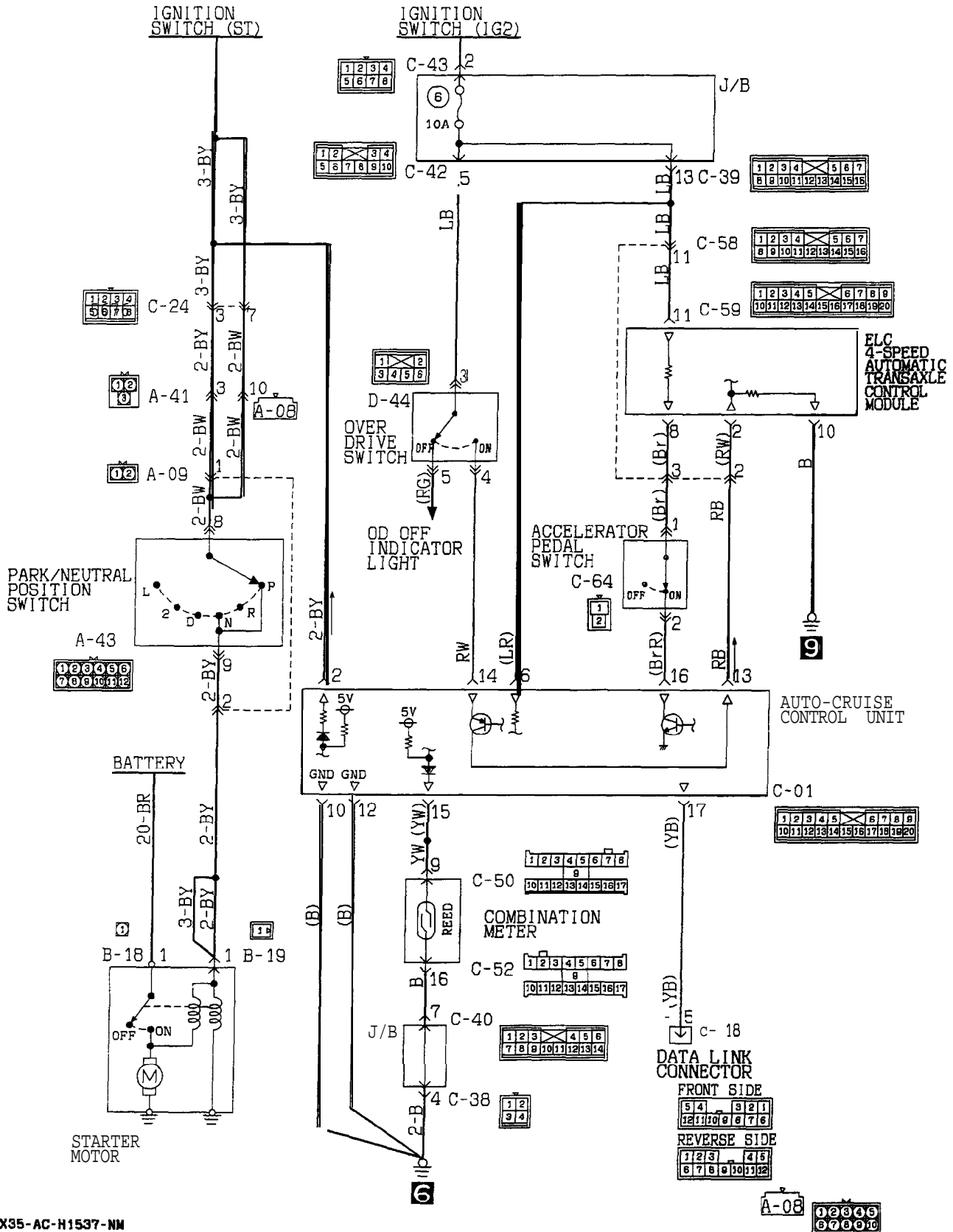
<A/T (1989 models)>



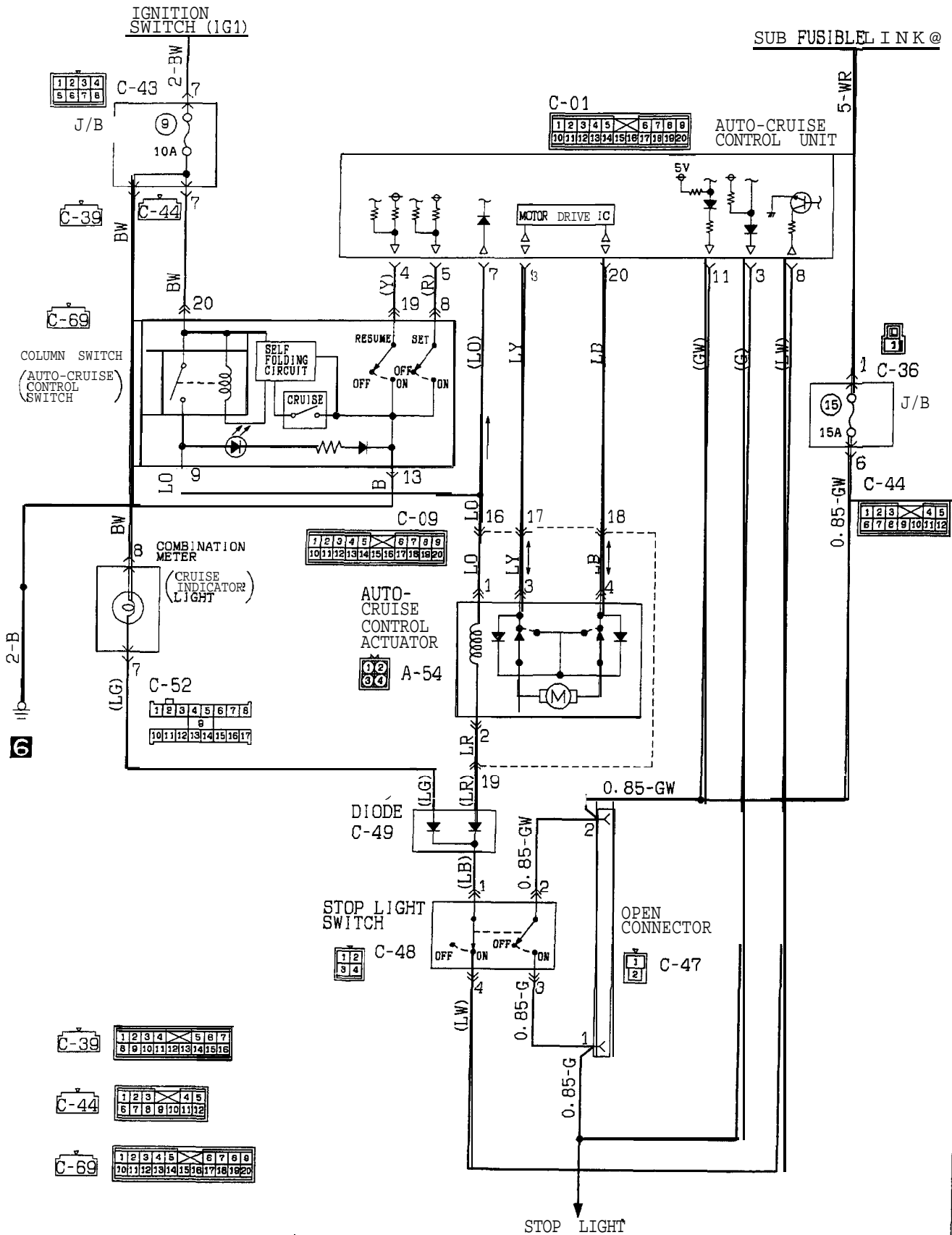


AUTO-CRUISE CONTROL CIRCUIT

<A/T (1990 models)>

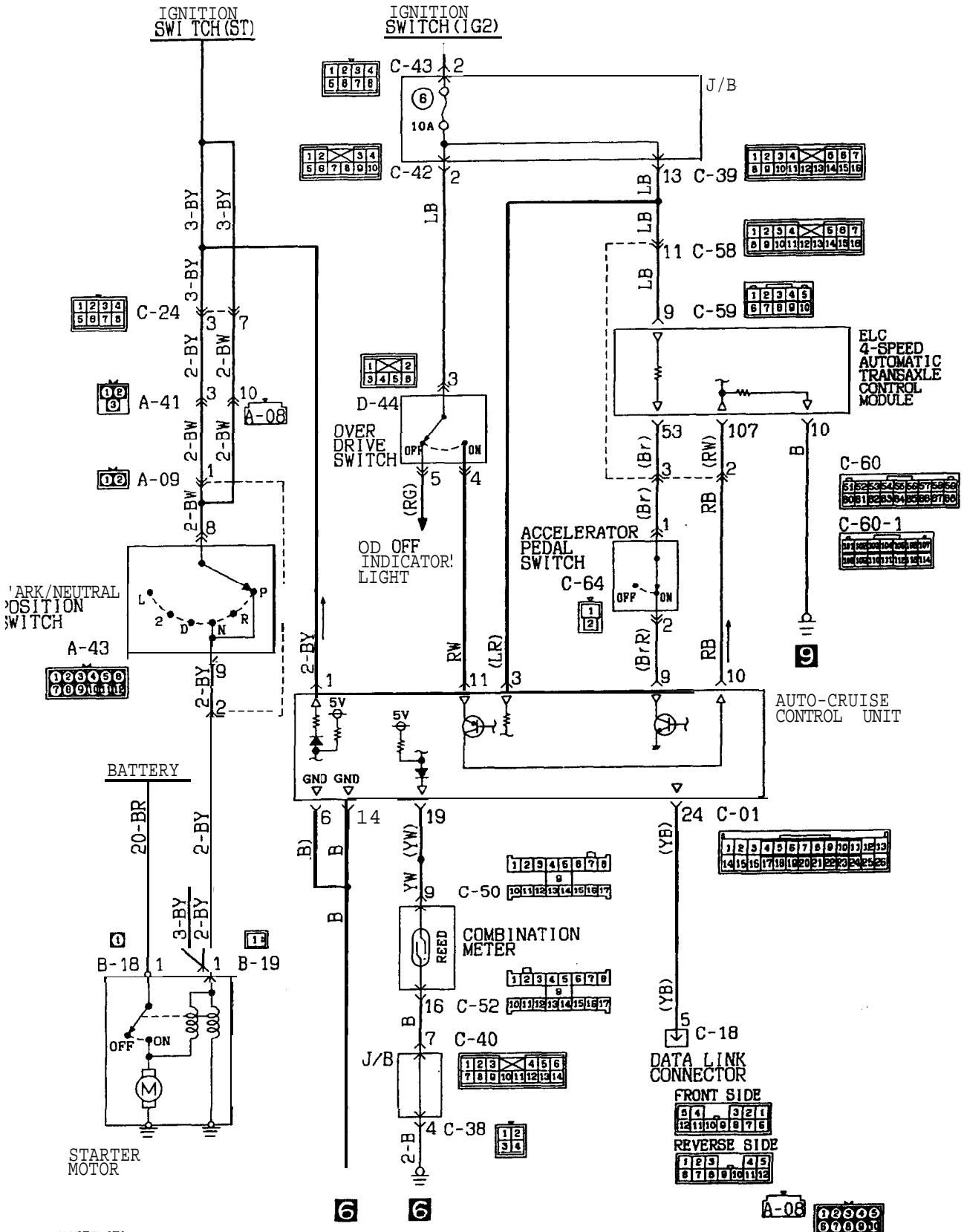


MX35-AC-H1537-NM

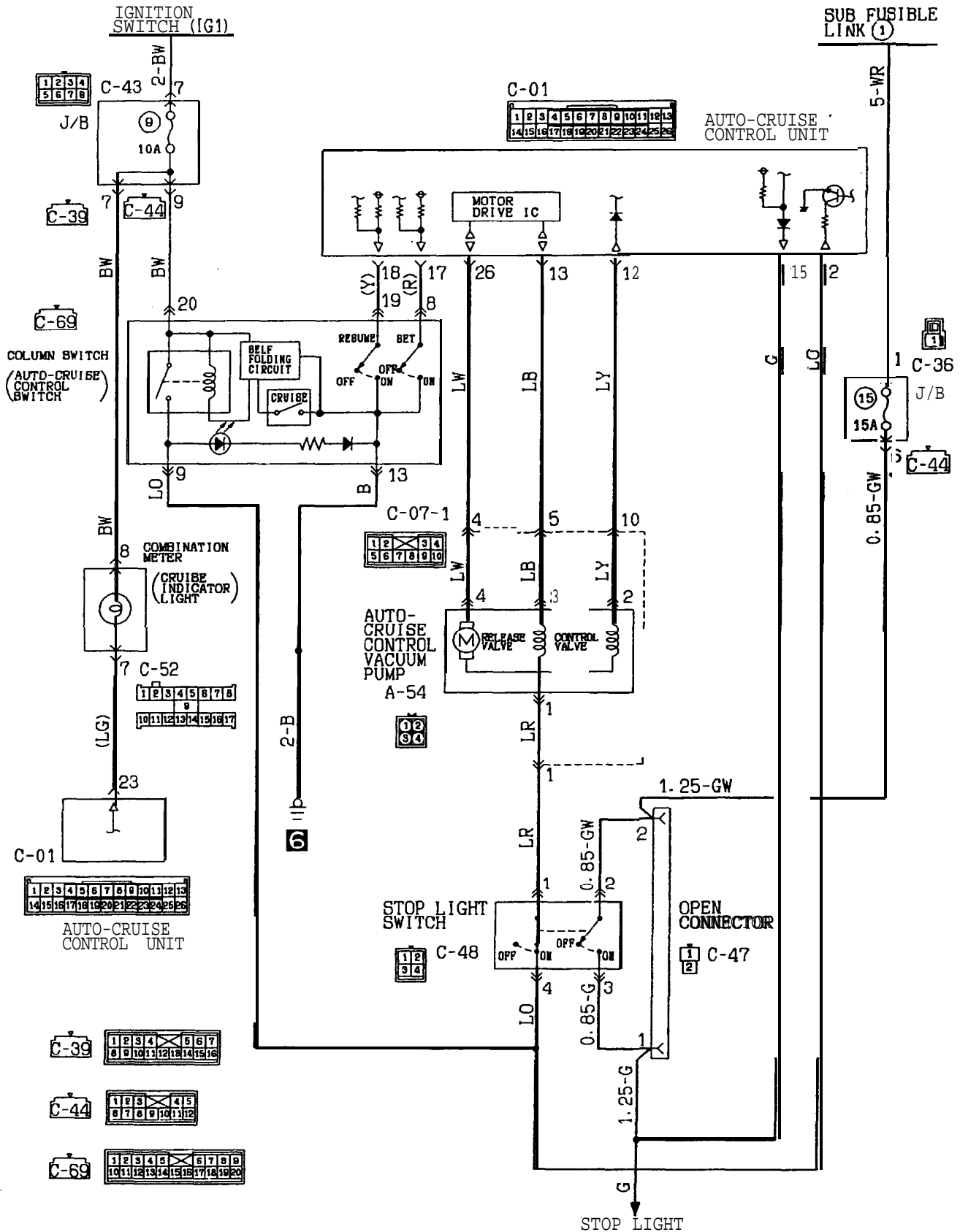


AUTO-CRUISE CONTROL CIRCUIT

<AT (1991 models)>



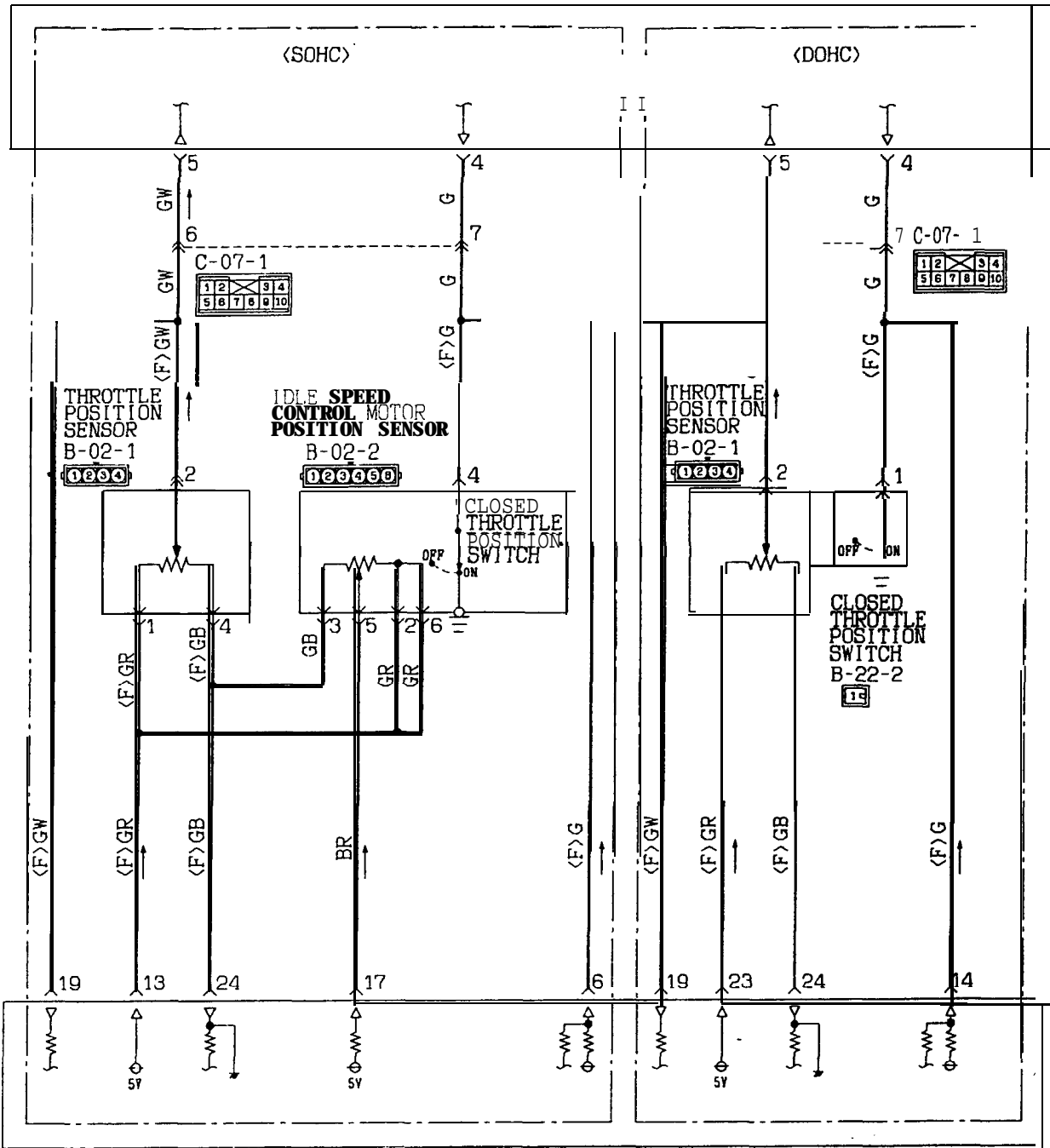
KX35-AC-H1557-NM



AUTO-CRUISE CONTROL CIRCUIT (CONTINUED)

<A/T (1991 models)>

AUTO-CRUISE CONTROL UNIT C-01

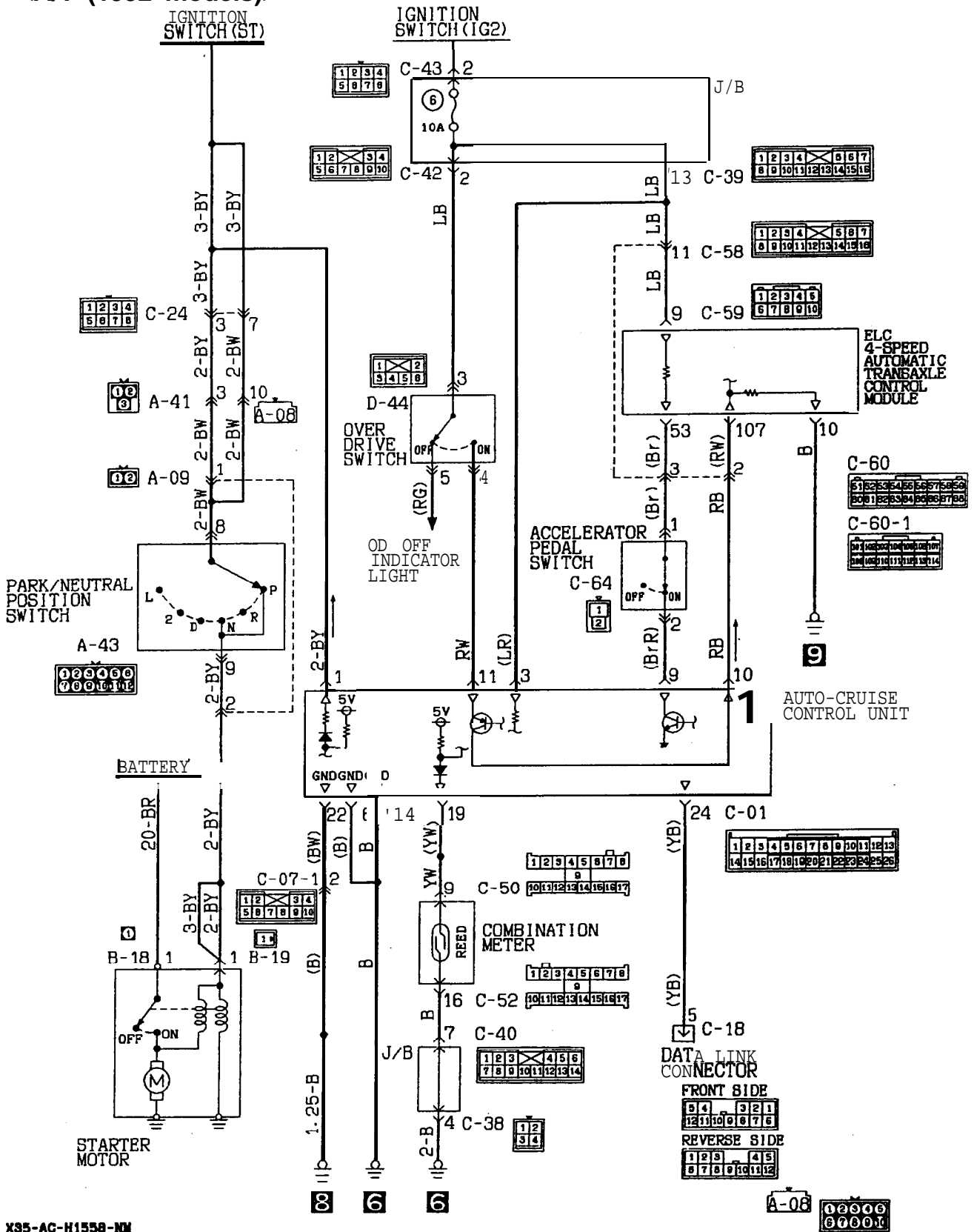


MFI CONTROL UNIT C-12



AUTO-CRUISE CONTROL CIRCUIT

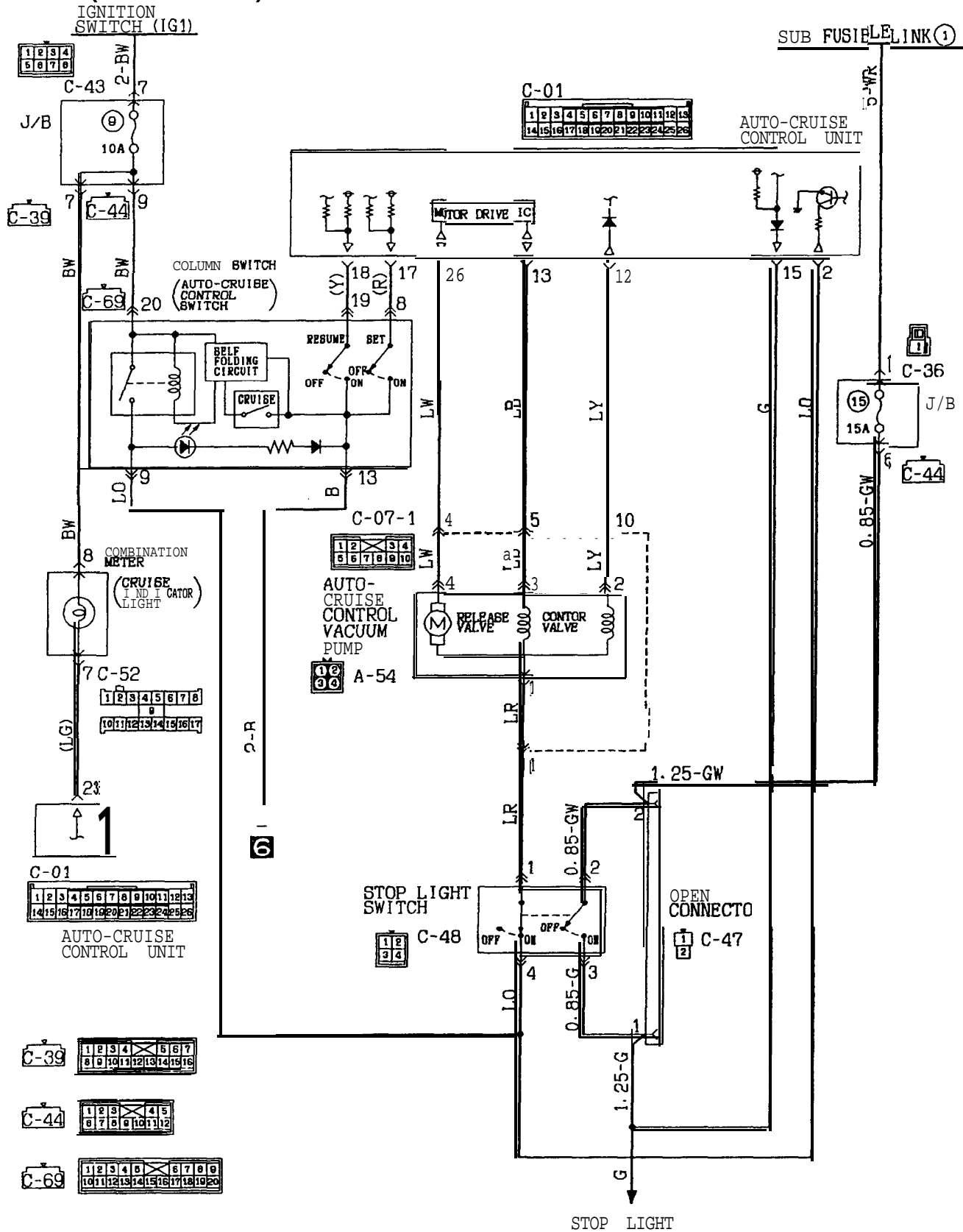
<A/T (1992 models)>



X35-AC-H1558-NM

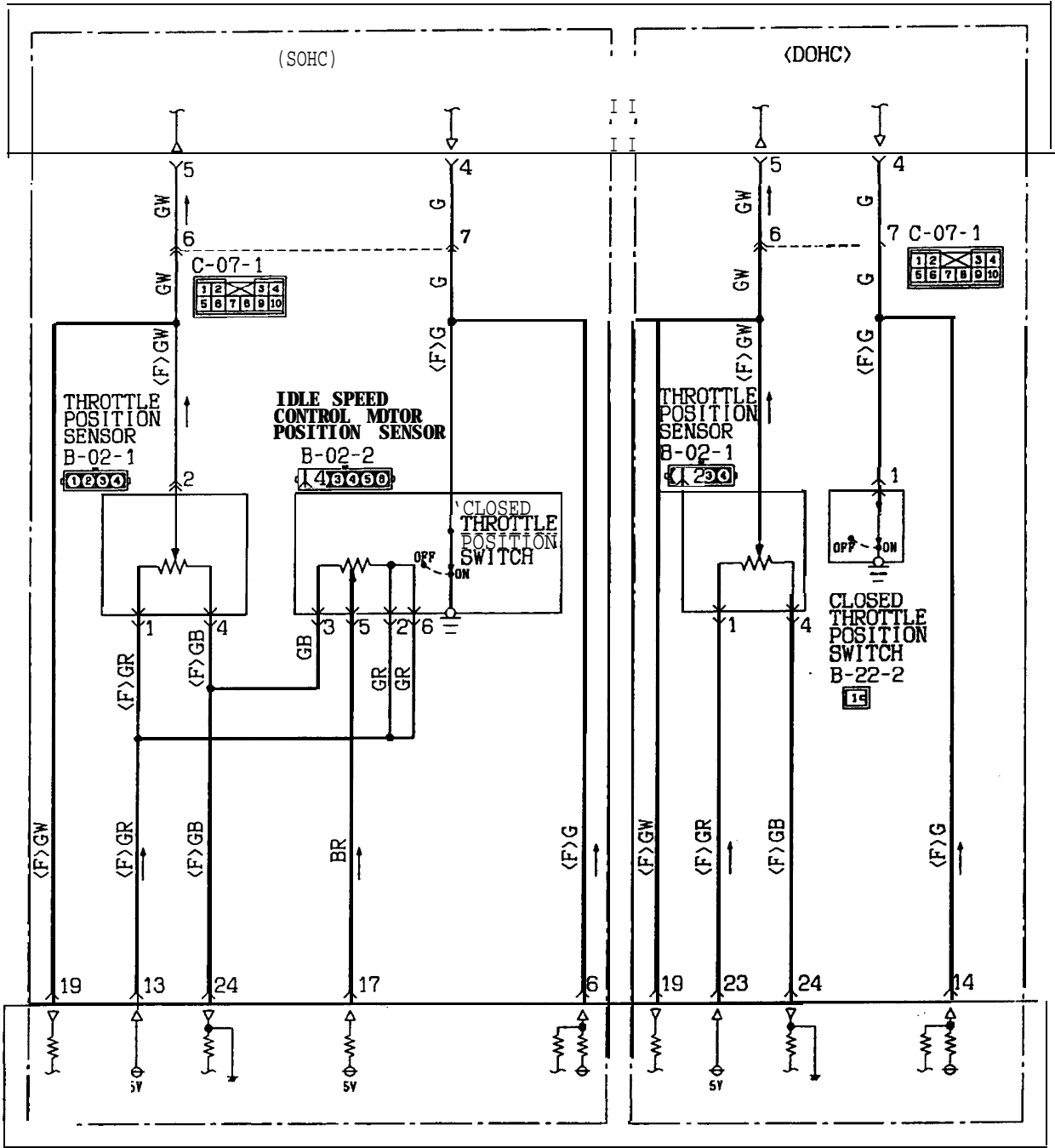
AUTO-CRUISE CONTROL CIRCUIT (CONTINUED)

<A/T (1992 models)>



AUTO-CRUISE CONTROL UNIT C-01

1	2	3	4	5	6	7	8	9	10	11	12	13
14	15	16	17	18	19	20	21	22	23	24	25	26

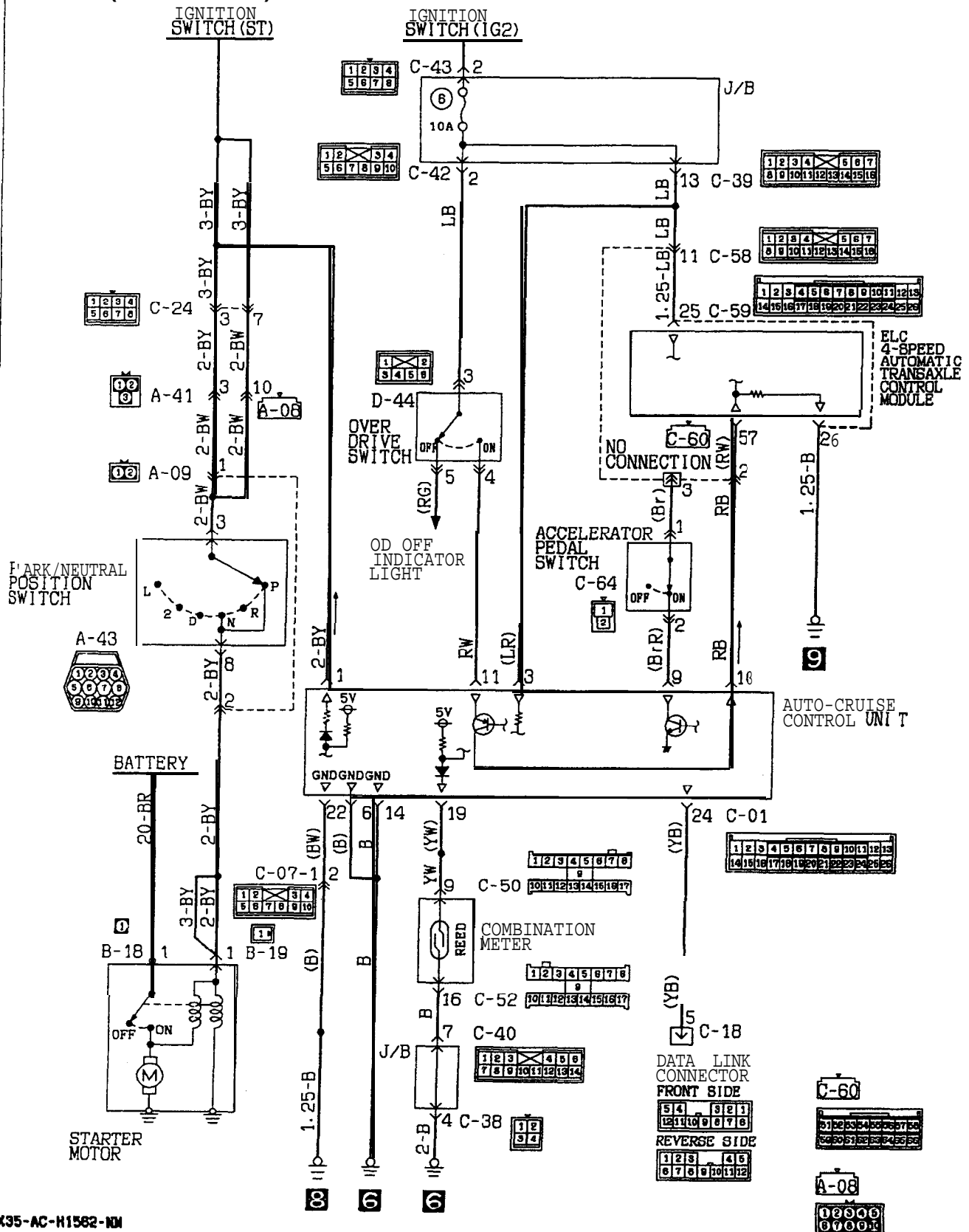


MFI CONTROL UNIT C-12

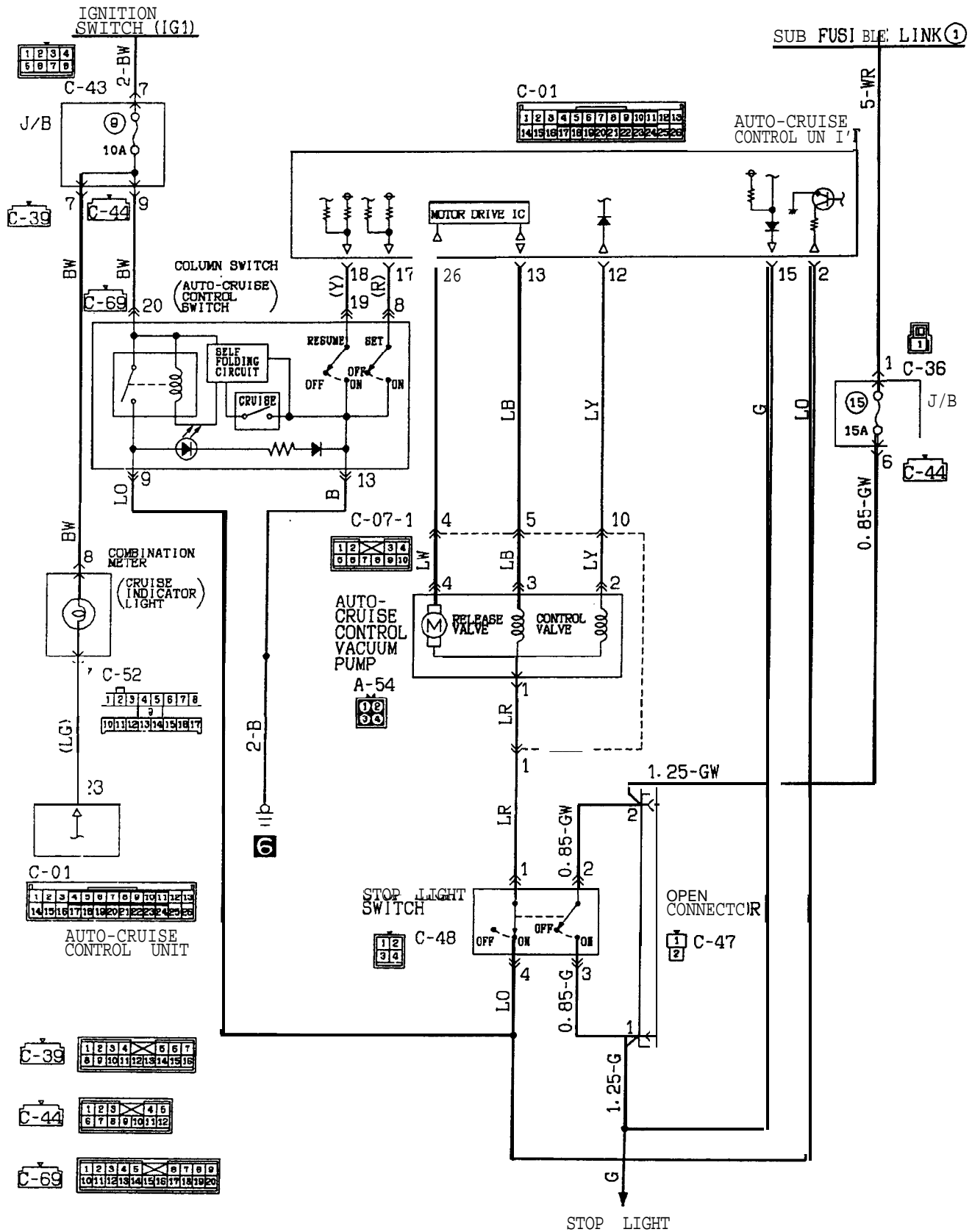
1	2	3	4	5	6	7	8	9	10	11	12
13	14	15	16	17	18	19	20	21	22	23	24

AUTO-CRUISE CONTROL CIRCUIT

<A/T (1993 models)>

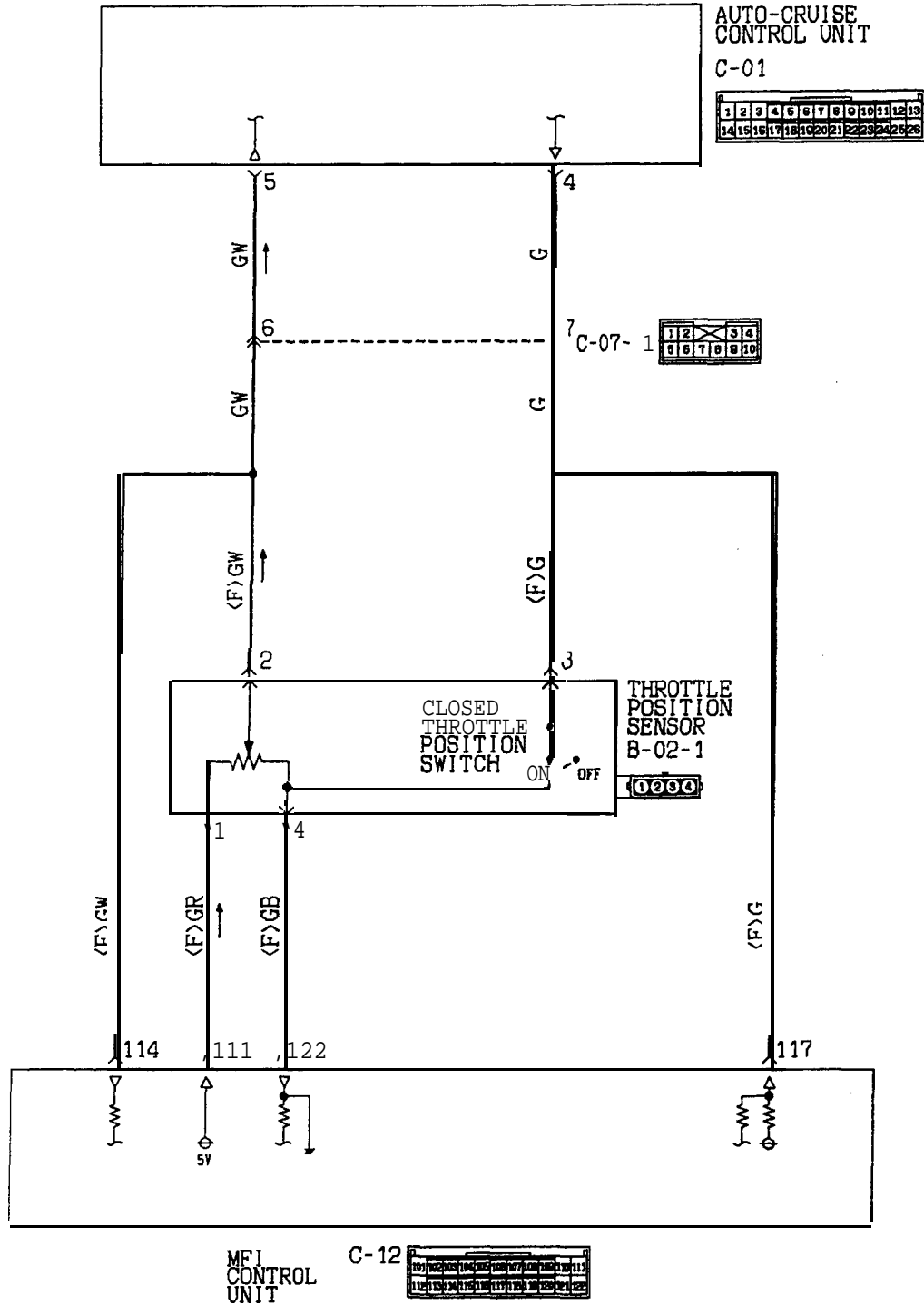


KX35-AC-H1562-NM



AUTO-CRUISE CONTROL CIRCUIT (CONTINUED)

<A/T (1993 models)>



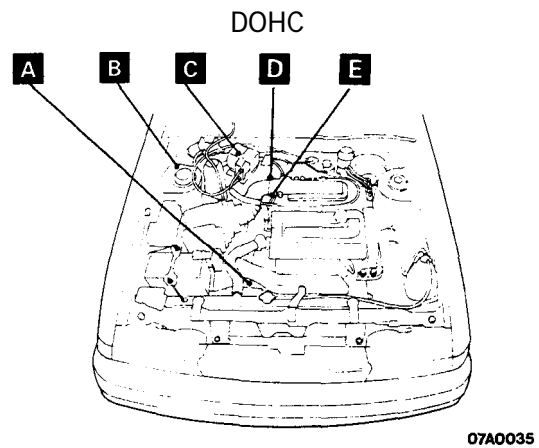
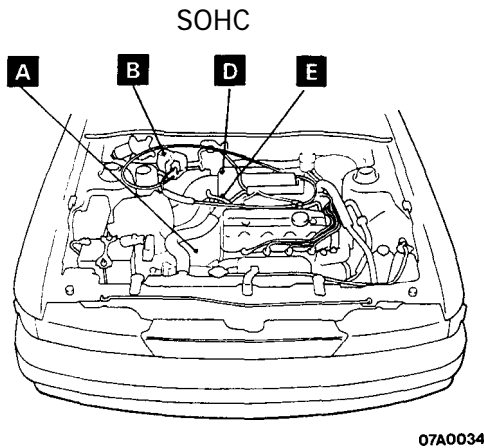
NOTES

COMPONENT LOCATION

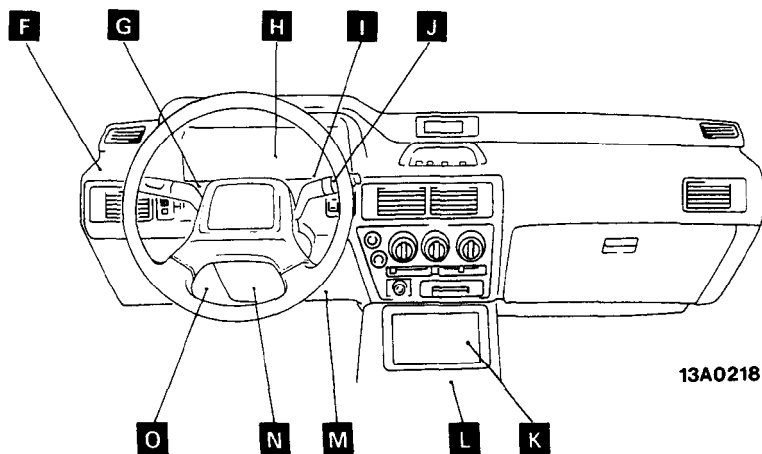
Name	Symbol	Name	Symbol
Accelerator pedal switch <A/T>	M	Closed throttle position switch (fixed SAS) <DOHC>	D
Auto-cruise control actuator <Electrical type>	C	Idle speed control motor (closed throttle position switch, idle speed control motor position sensor) <SOHC>	D
Auto-cruise control actuator <Vacuum type>	B		
Auto-cruise control switch	J	Park/neutral position switch <A/T>	A
Auto-cruise control unit	F	Overdrive switch <A/T>	L
Auto-cruise control vacuum pump <Vacuum type>	C	Stop light switch	N
		Throttle position sensor	E
Auto-cruise indicator light	I	Vehicle speed sensor (Reed switch)	H
Clutch pedal position switch <M/T>	O	4-speed automatic transaxle control module	K
Diode	G		

NOTE
The "Name" column is arranged in alphabetical order.

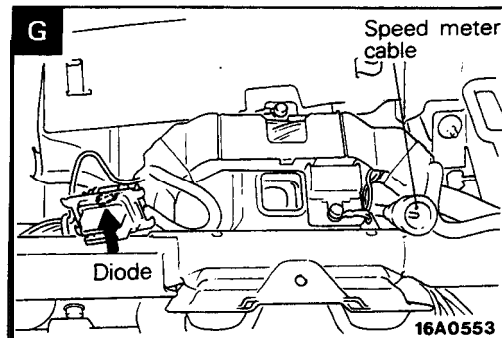
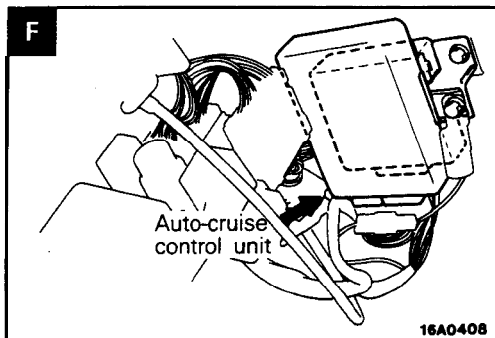
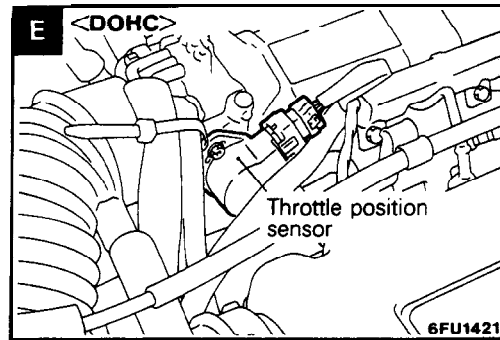
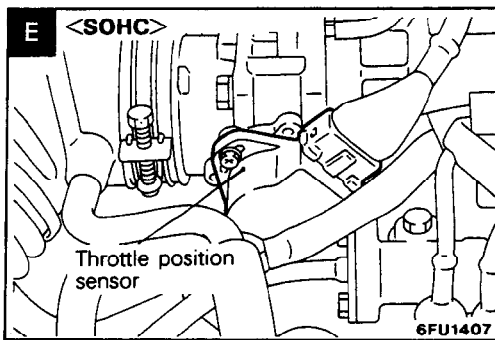
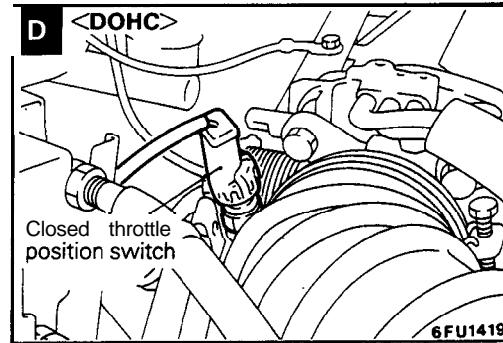
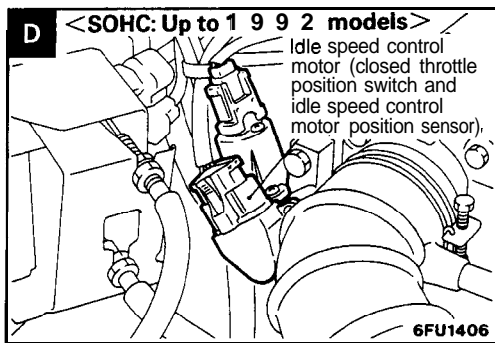
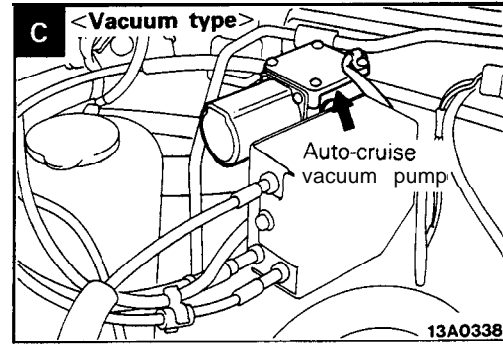
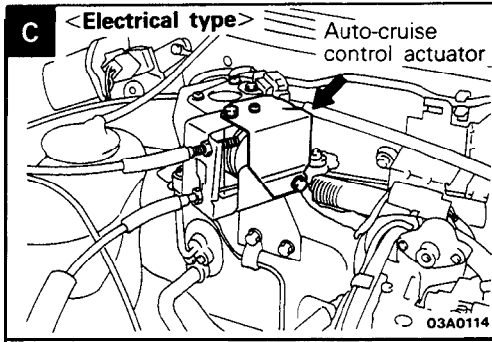
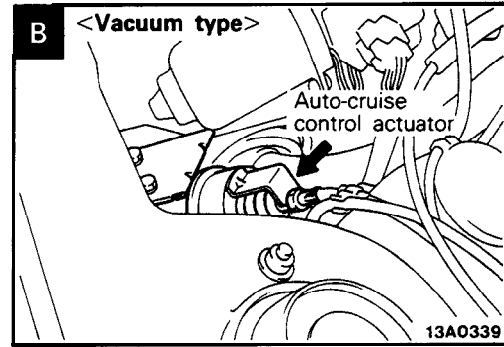
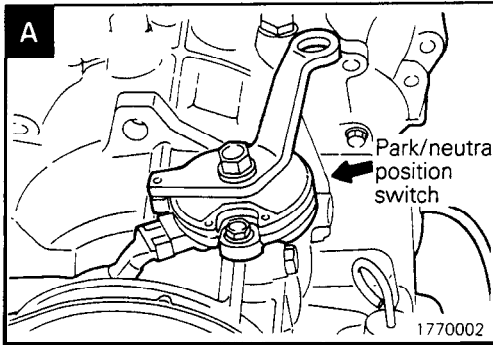
<Engine compartment>

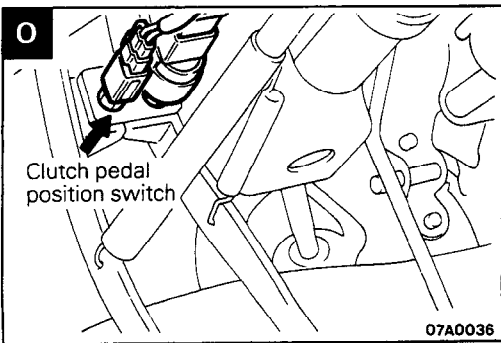
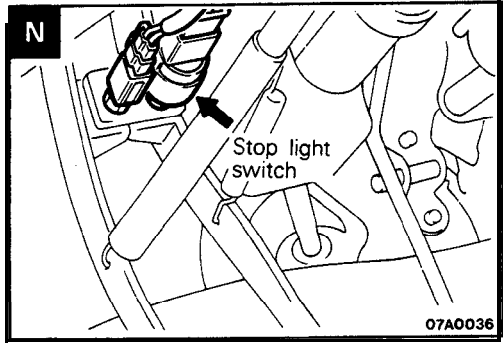
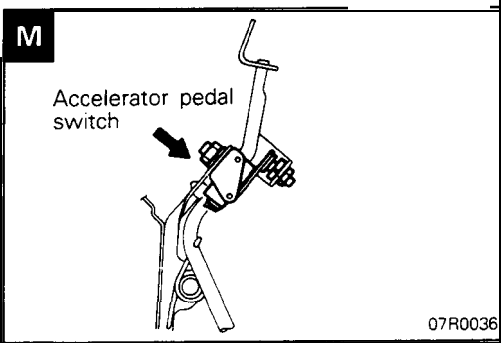
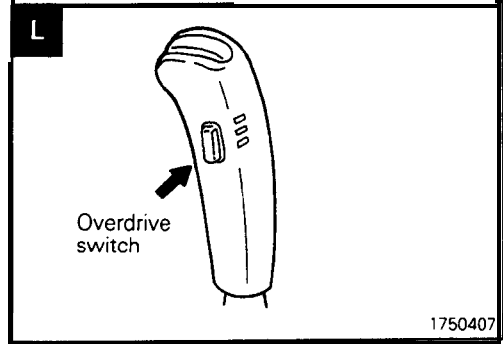
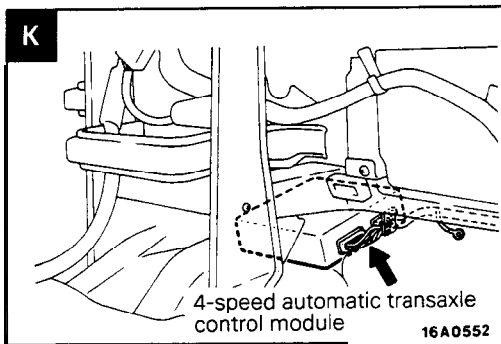
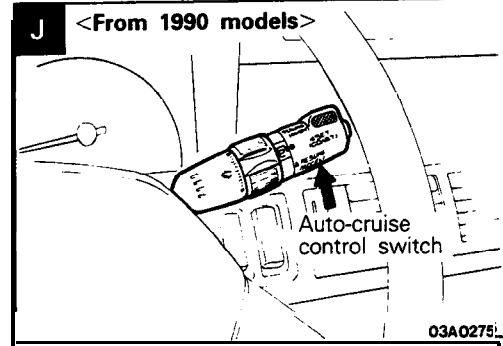
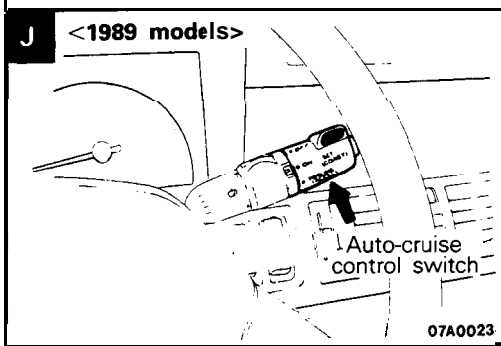
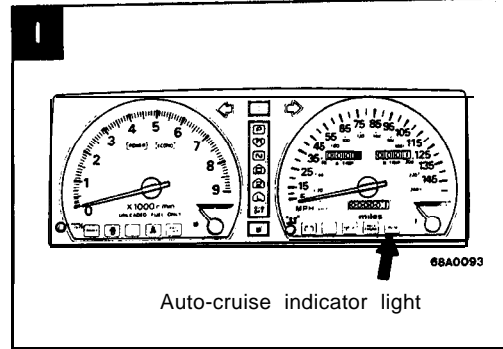
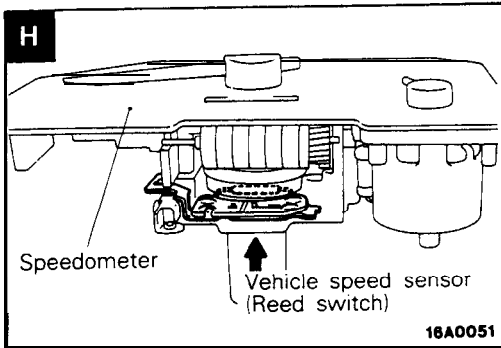


<Interior>



TSB Revision

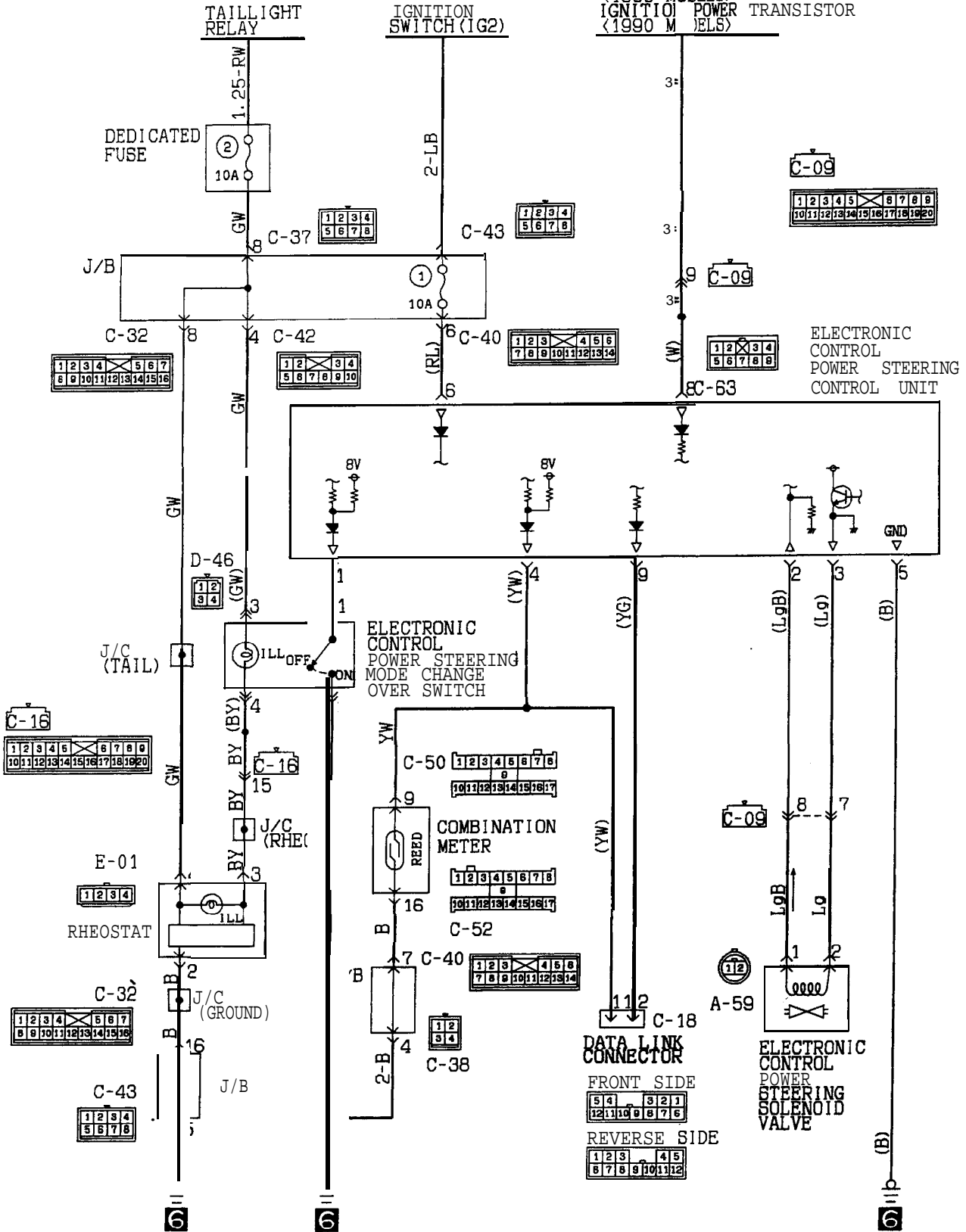




ELECTRONIC CONTROL POWER STEERING (EPS) CIRCUIT

(Up to 1990 models)

IGNITION COIL
(1989 MODELS)
IGNITION POWER TRANSISTOR
(1990 MODELS)

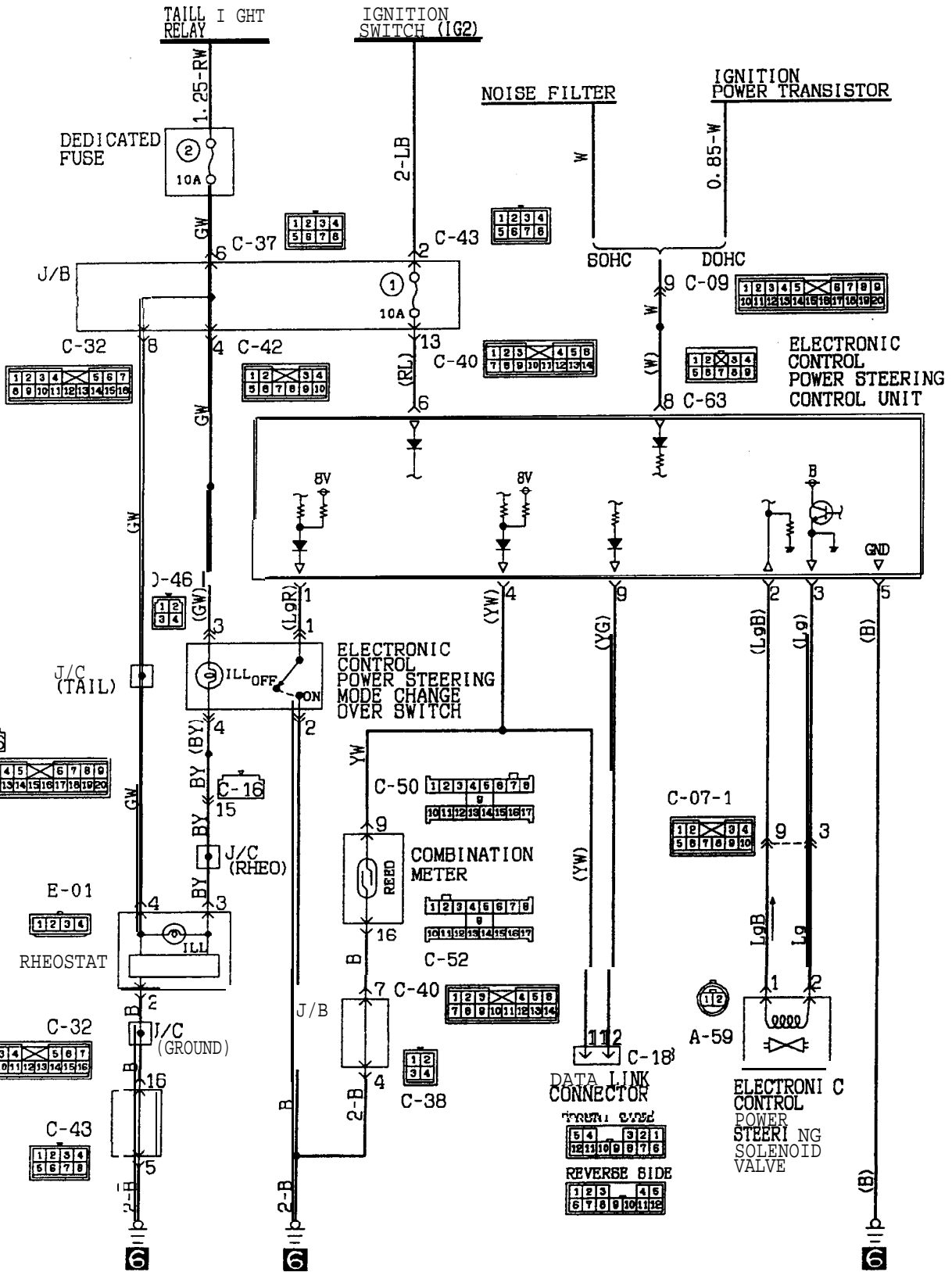


KX35-AC-H1531-NM

TSB Revision

ELECTRONIC CONTROL POWER STEERING CIRCUIT

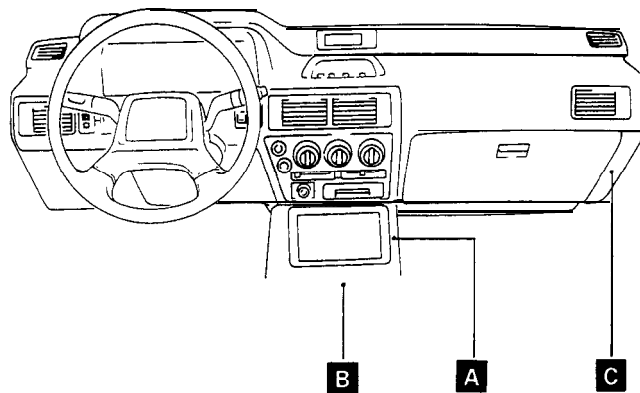
(From 1991 models)



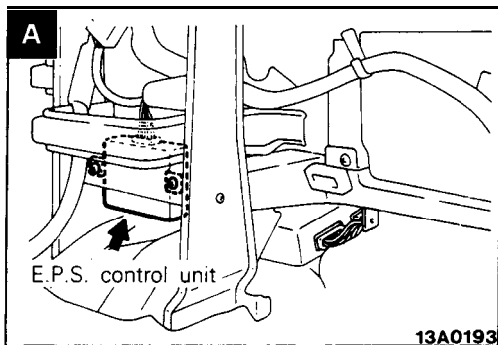
KX35-AC-H1563-NM

COMPONENT LOCATION

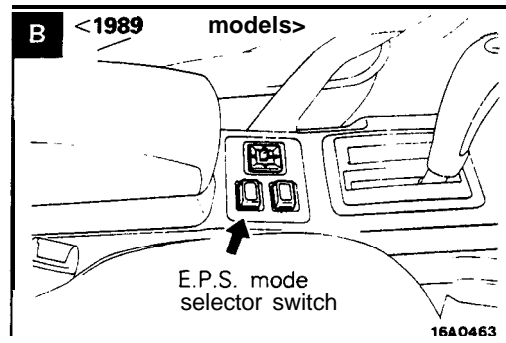
Name	Symbol
E.P.S. control unit	A
E.P.S. mode selector switch	B
Data link connector	C



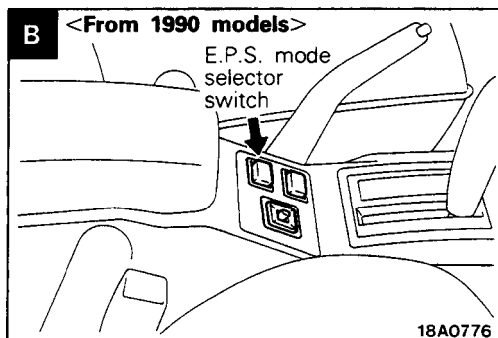
13A0218



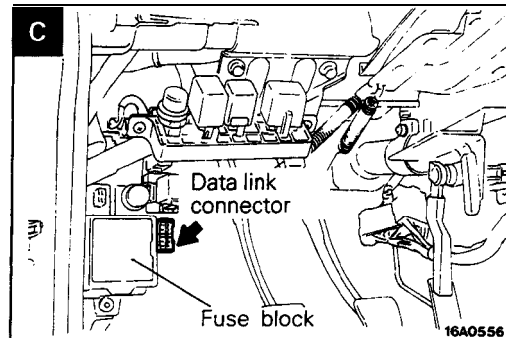
13A0193



16A0463



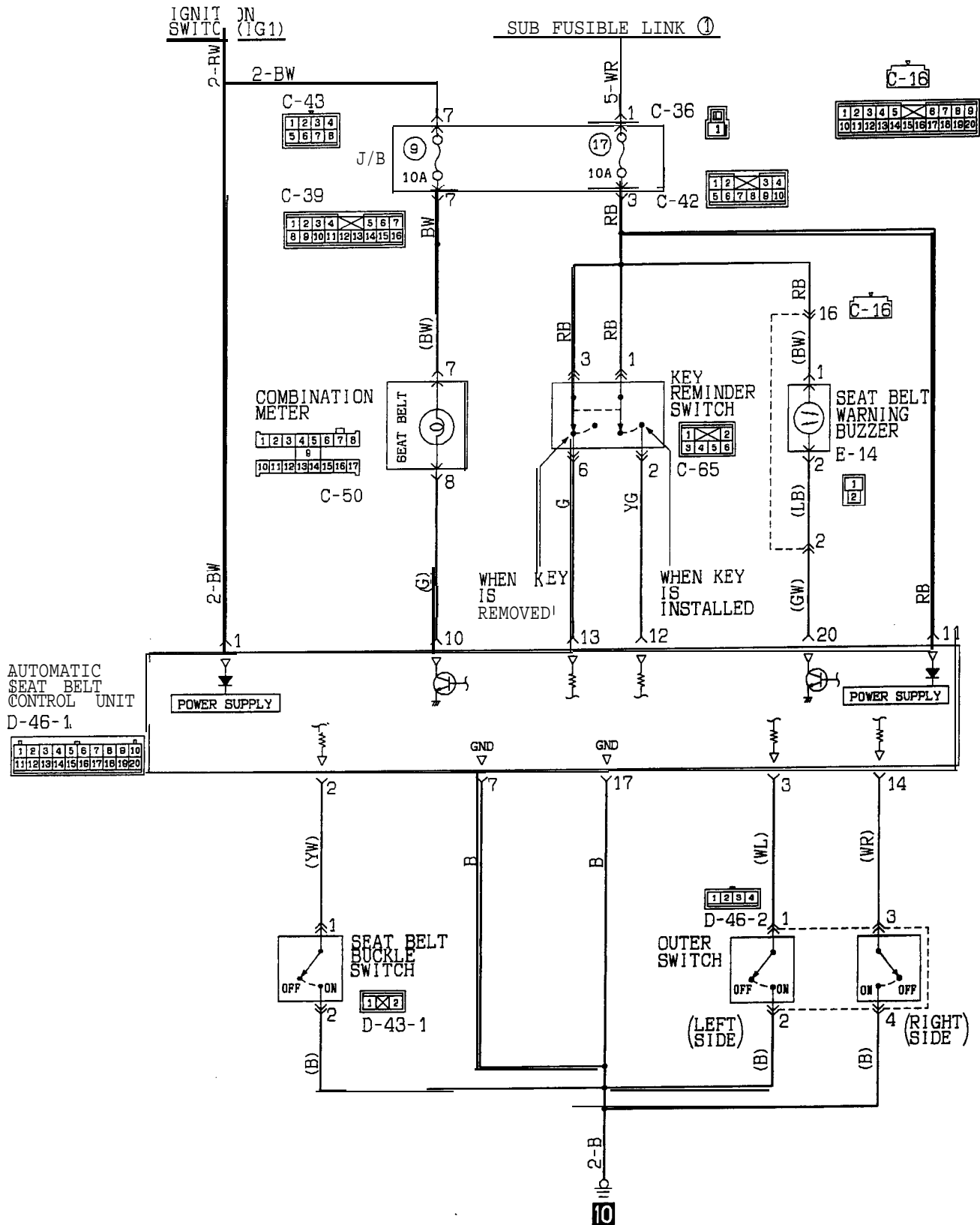
18A0776

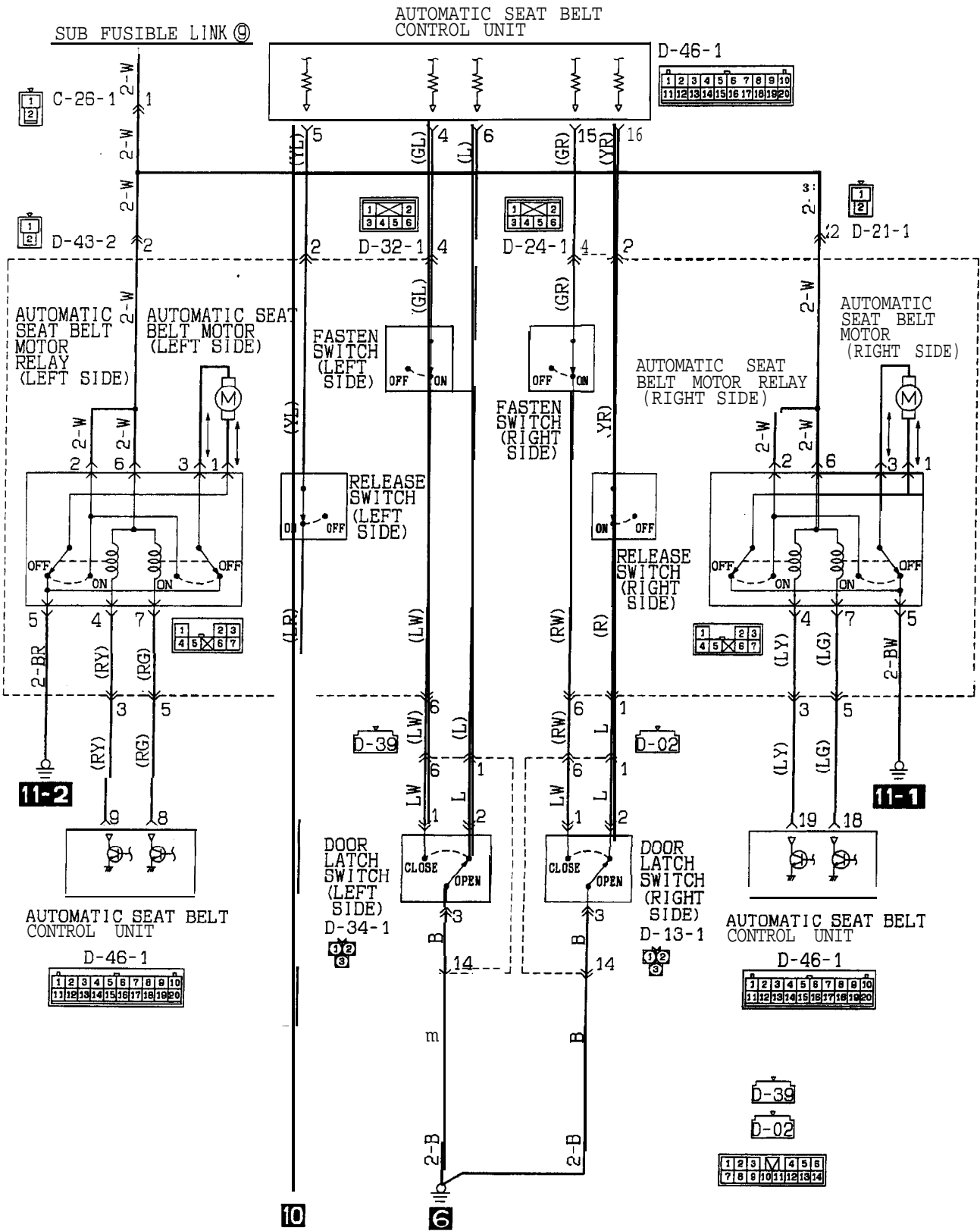


16A0556

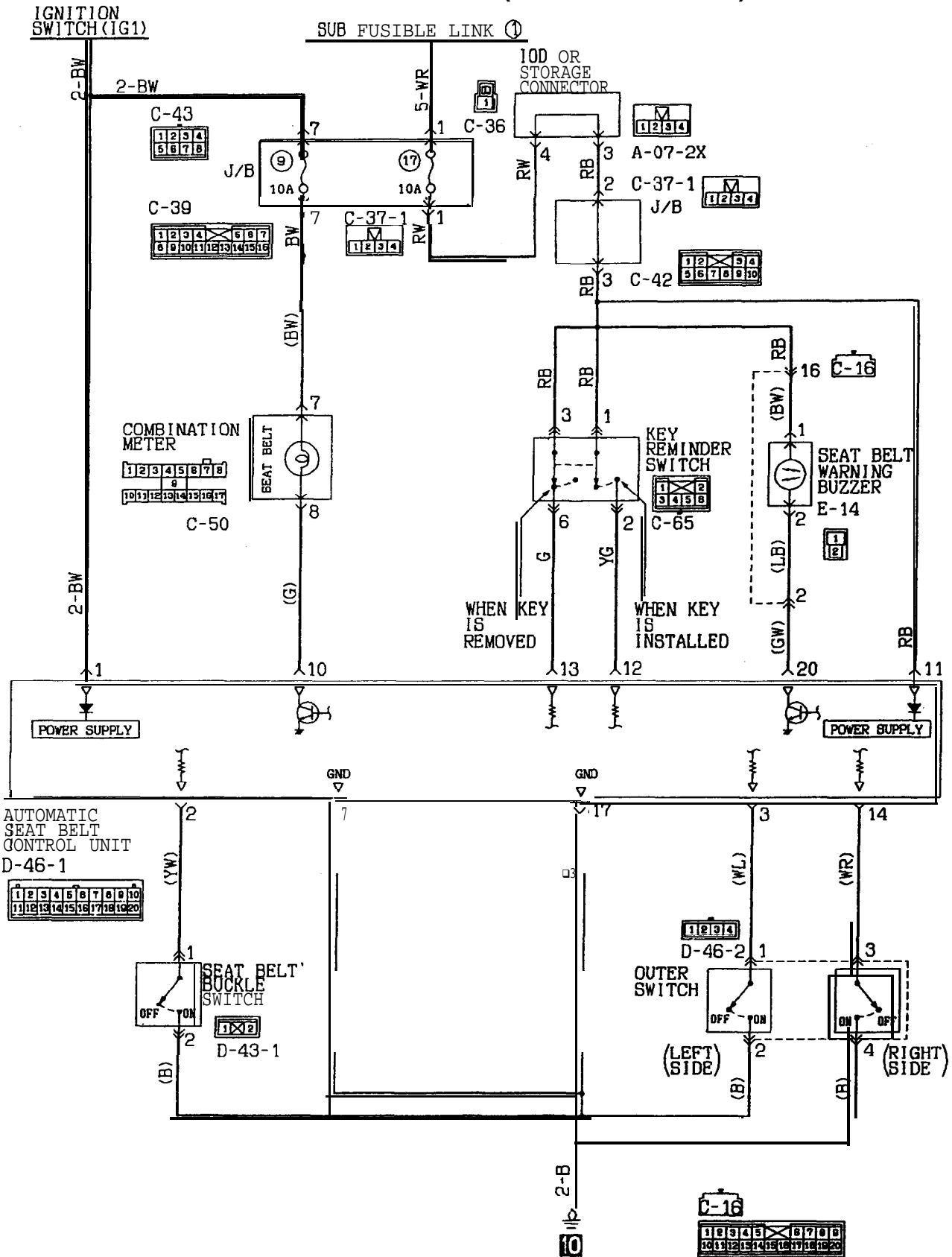
AUTOMATIC SEAT BELT CIRCUIT

(Up to 1990 models)



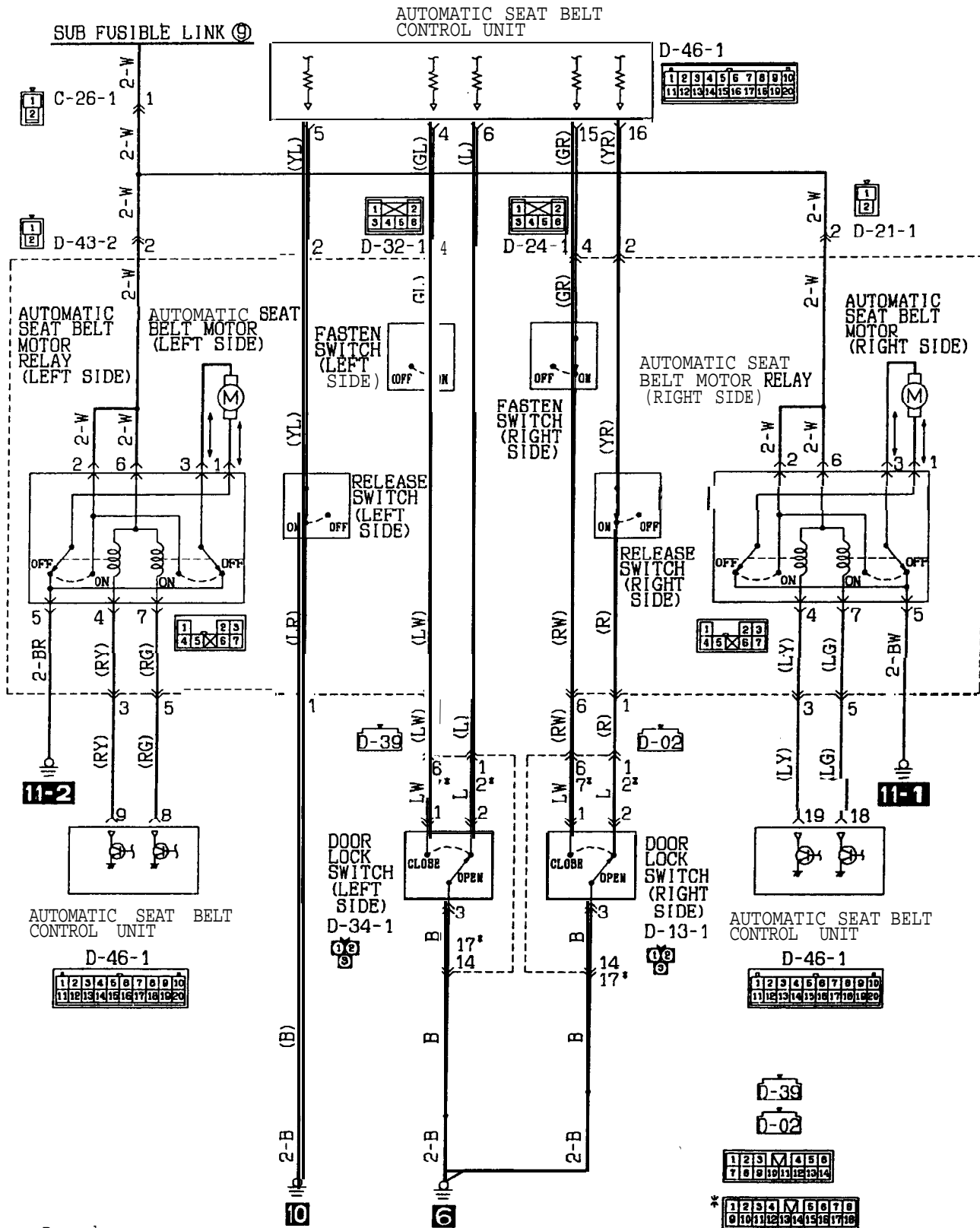


AUTOMATIC SEAT BELT CIRCUIT (From 1991 models)

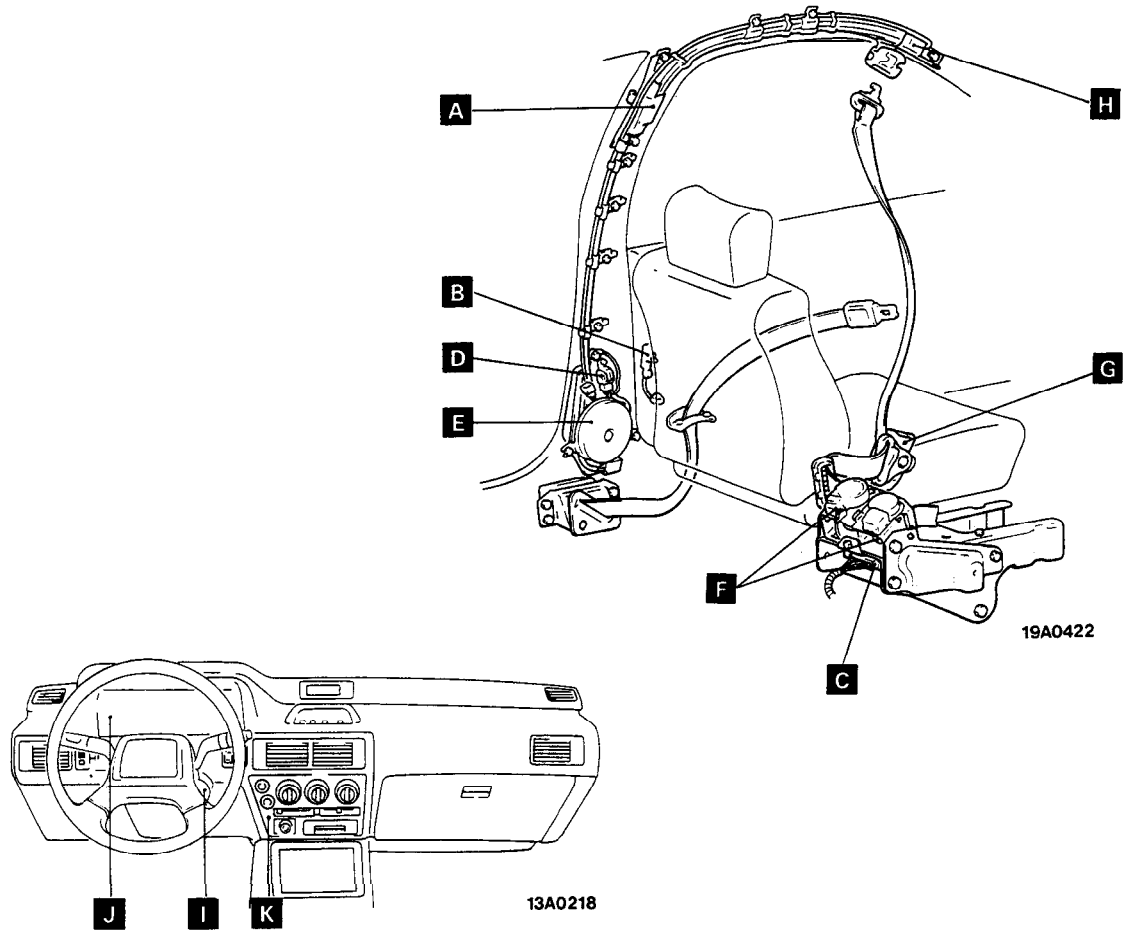


XX35-AC-H1559-NM

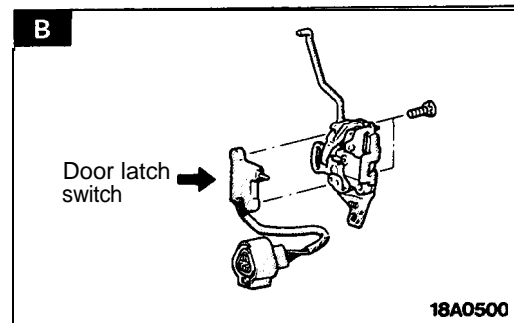
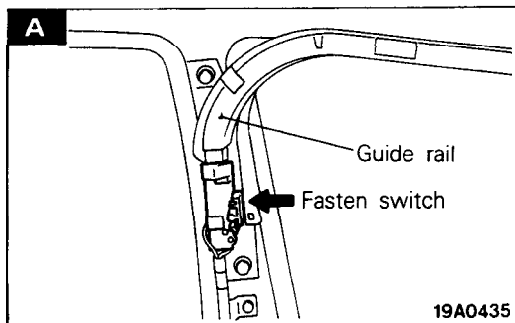
TSB Revision



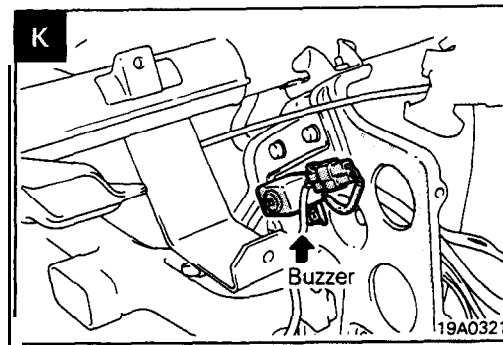
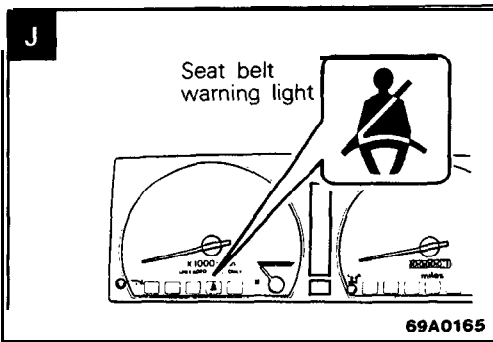
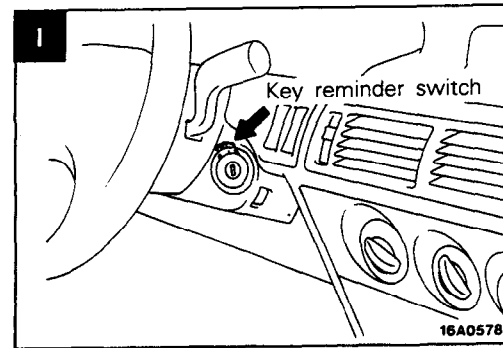
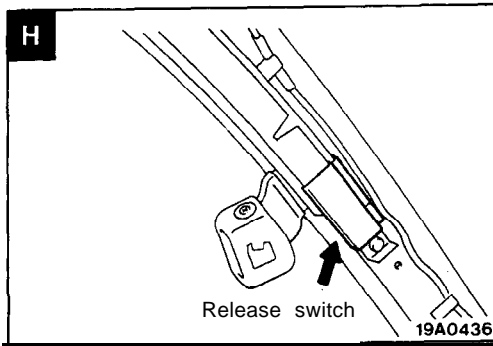
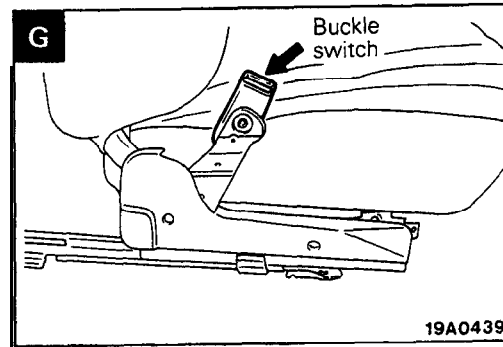
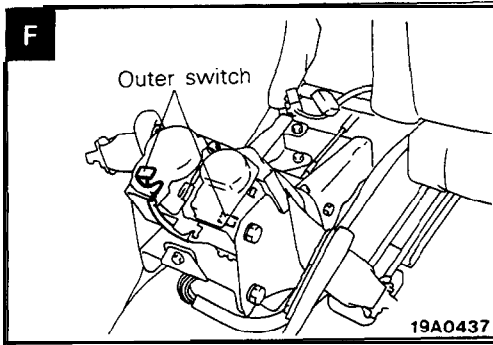
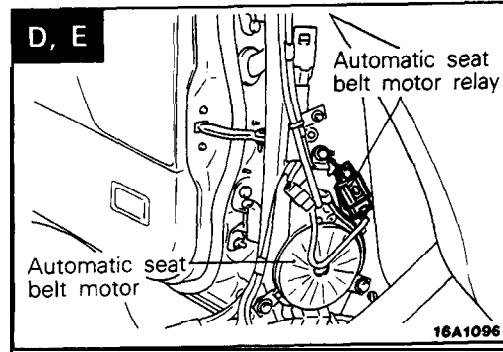
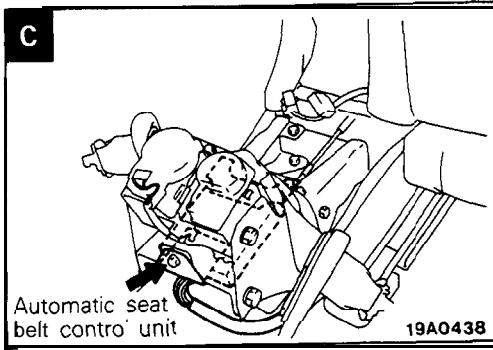
COMPONENT LOCATION



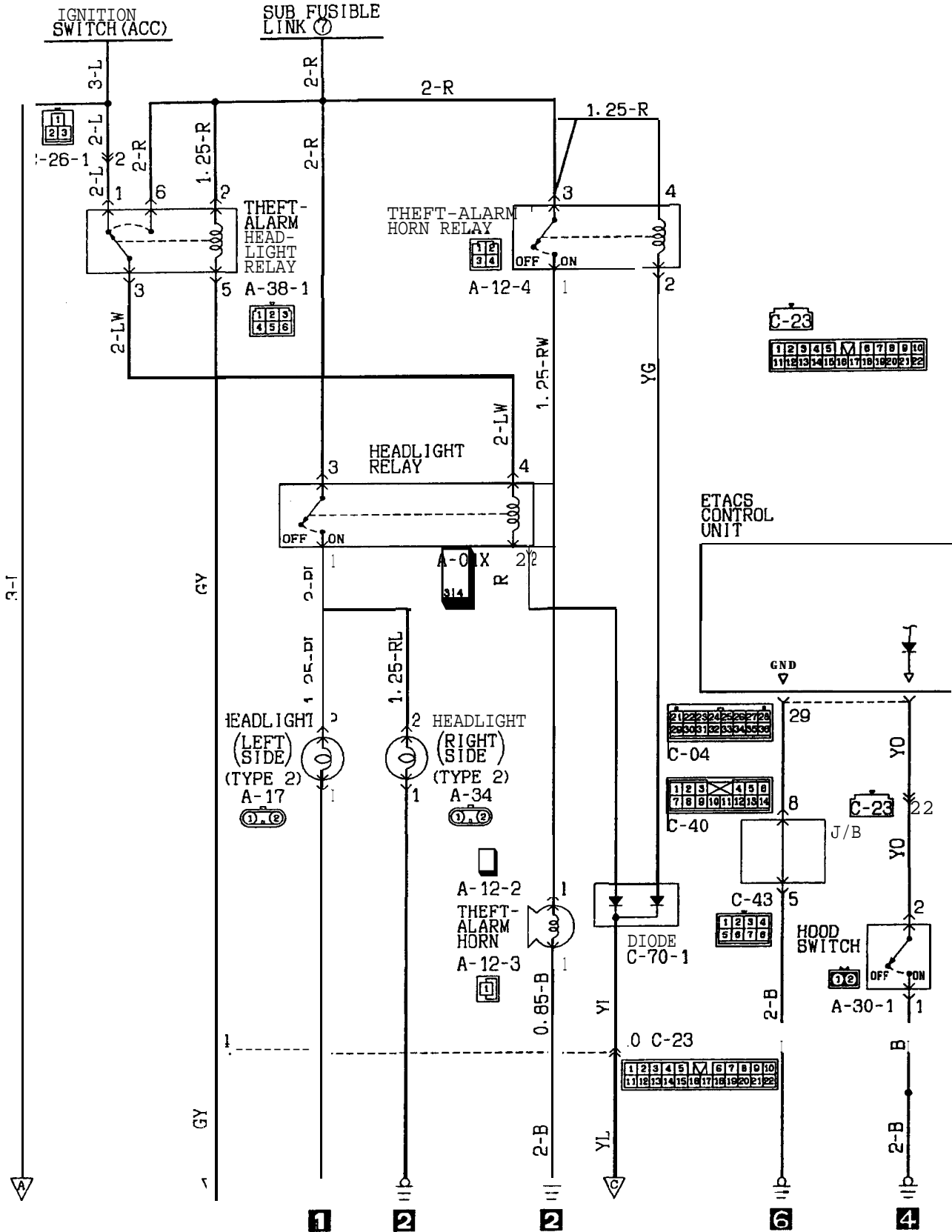
Name	Symbol	Name	Symbol
Automatic seat belt control unit	C	Fasten switch	A
Automatic seat belt motor	E	Key reminder switch	I
Automatic seat belt motor relay	D	Outer switch	F
Buckle switch	G	Seat belt warning light	J
Buzzer	K	Release switch	H
Door latch switch	B	I-	



TSB Revision

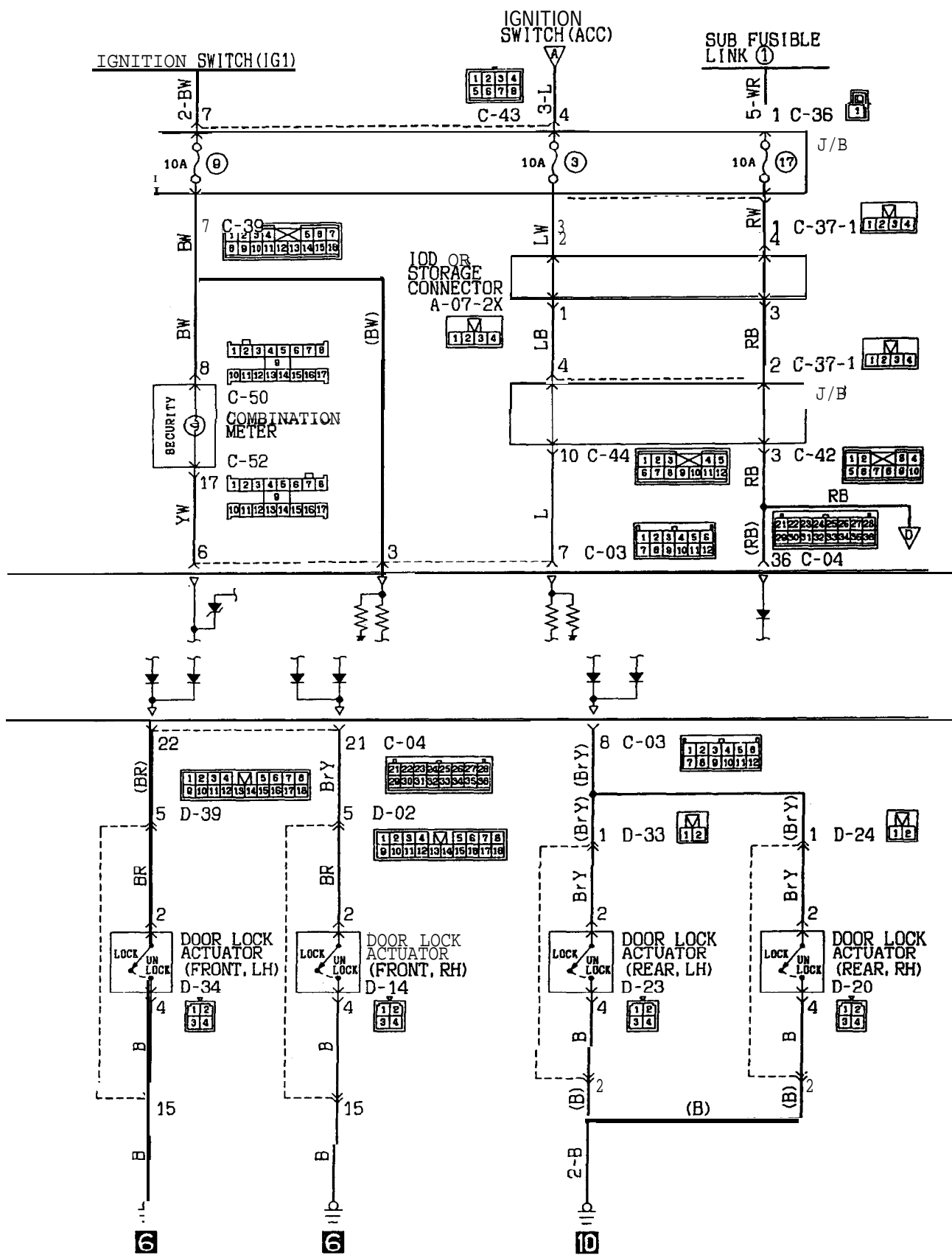


THEFT-ALARM SYSTEM CIRCUIT

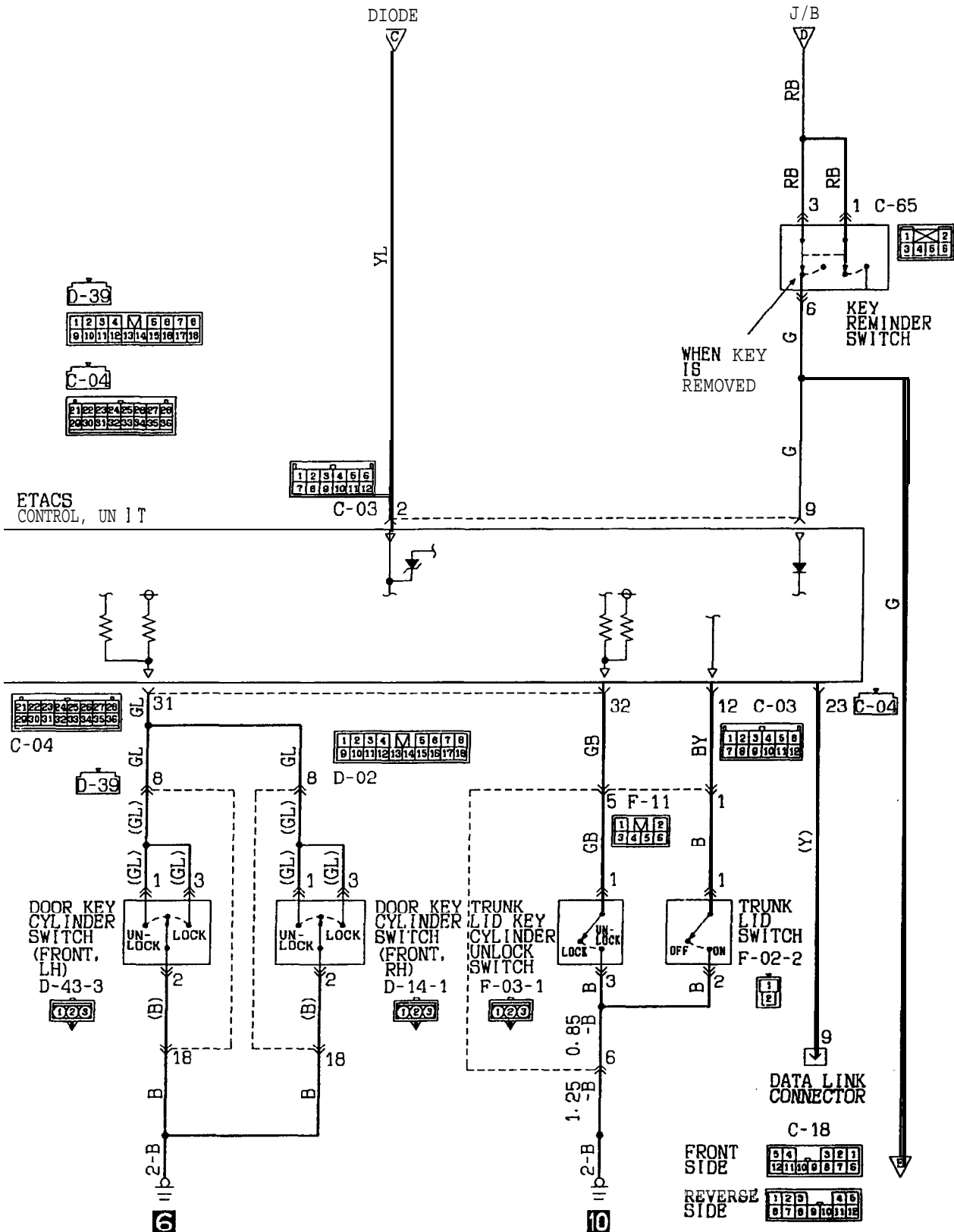


X35-AC-H1580-NM

TSB Revision

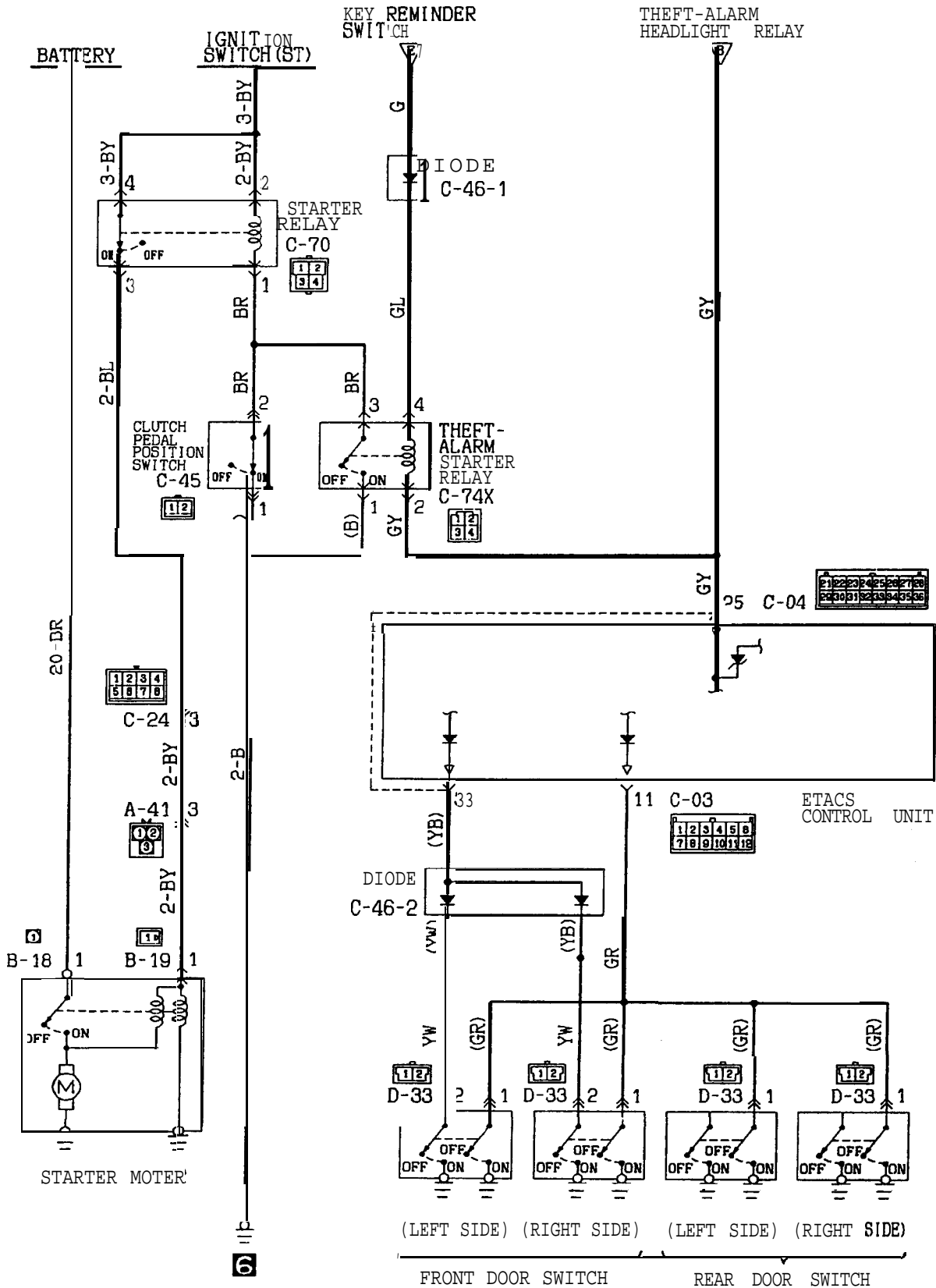


THEFT-ALARM SYSTEM CIRCUIT (CONTINUED)



KX35-AC-H1580A-NM

TSB Revision



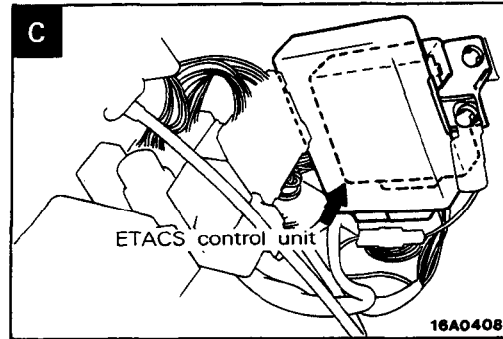
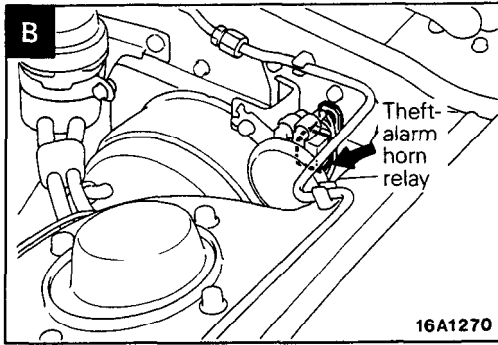
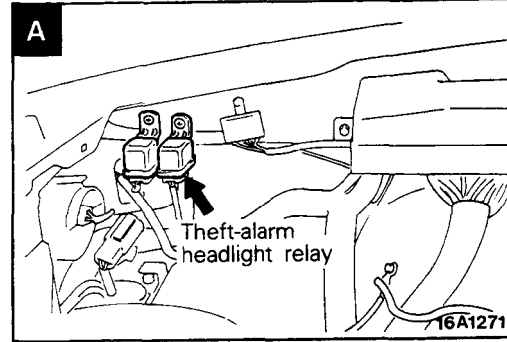
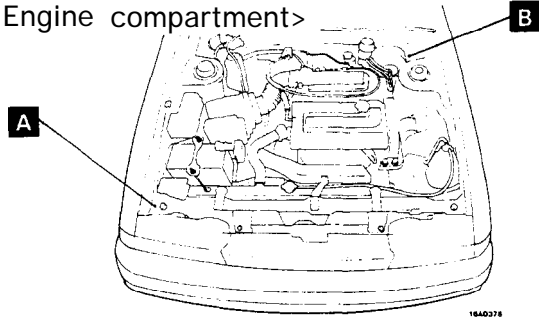
COMPONENT LOCATION

Name	Symbol	Name	Symbol
Diode	D	Security light	F
Diode	E	Theft-alarm headlight relay	A
Diode	E	Theft-alarm horn relay	B
ETACS control unit	C	Theft-alarm starter relay	D

NOTE

The "Name" column is arranged in alphabetical order.

<Engine compartment>



<Interior>

