


# HOW TO READ CIRCUIT DIAGRAMS

The circuit of each system from the fuse (or fusible link) to ground is shown. The power supply is shown at the top and the ground at the bottom to facilitate understanding of how the current flows.

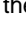
Indicates power takeout.

Indicates connector No. The same No. as in the wiring harness diagram is used.

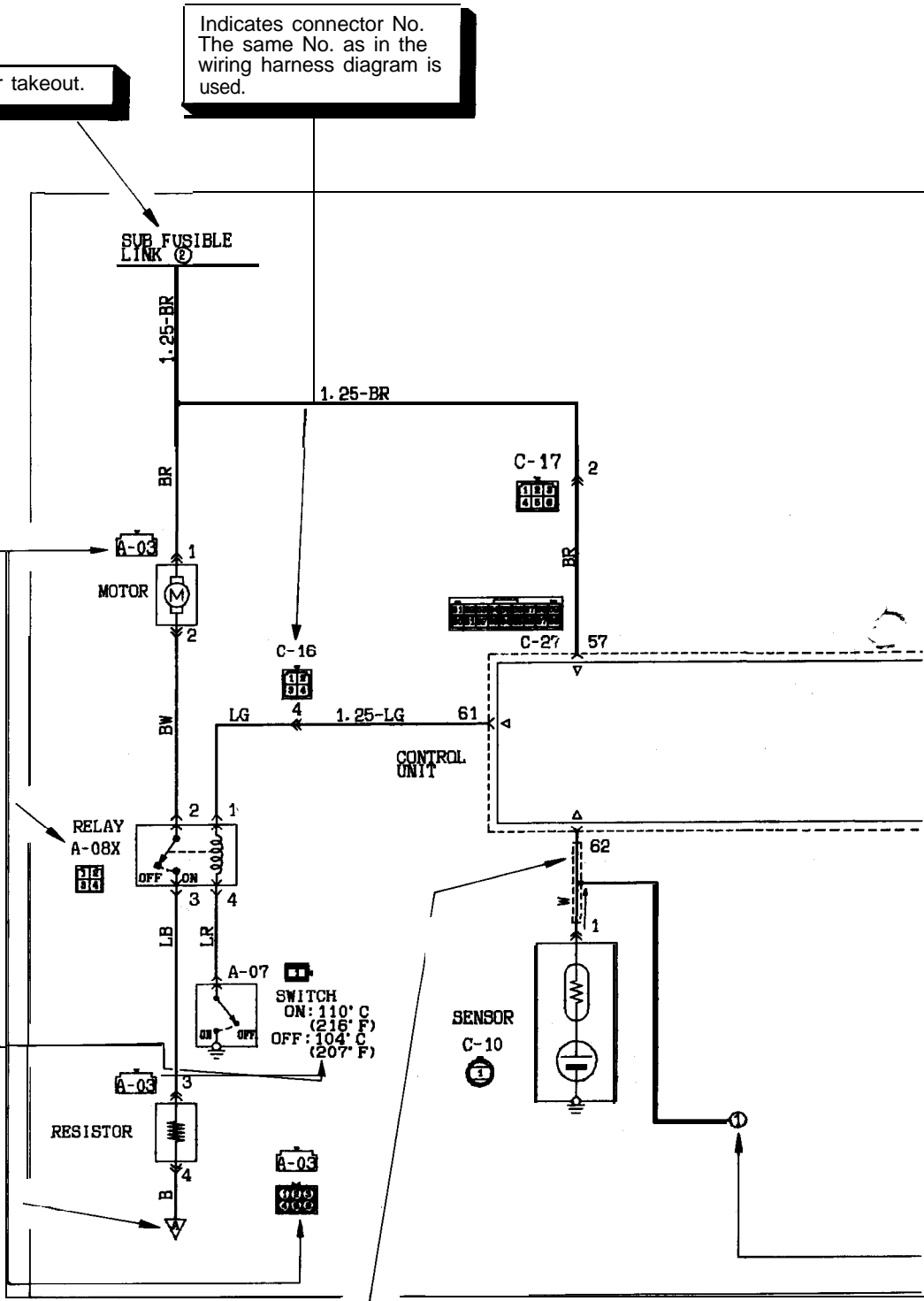
If the same connector is shown at two or more locations, the connector is indicated by  with connector symbol shown inside.

An "X" at the end of a connector No. indicates that the connector is connected to a centralized junction that is shown in the section "Centralized Junction".

Indicates the operating conditions of the engine coolant switch, etc.


Indicates that the diagram is continued at  on the next page.

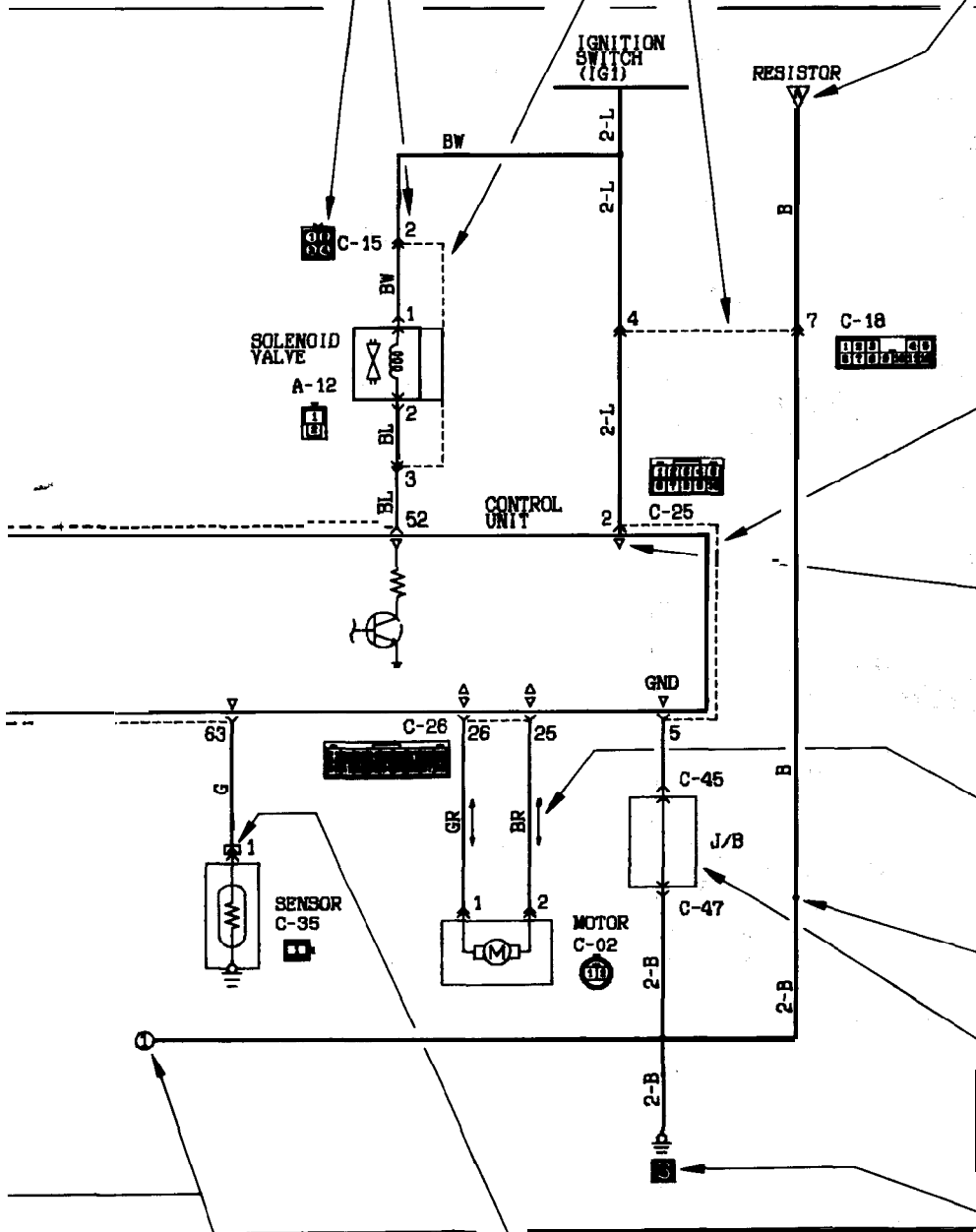
Indicates shield wire.



Indicates terminal No.

A broken line indicates that these connectors are the same intermediate connectors.

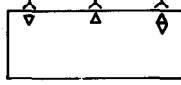
Indicates that the diagram is continued from  on the previous page.



In case two or more connectors are connected to the same device, markings indicating the same connector are connected by a broken line.

Indicates input/output to/from control unit (current flow direction).

Input Output Input/output



Indicates current flow downward or upward as controlled by the control unit.

Indicates harness junction where wire diameter or color changes.

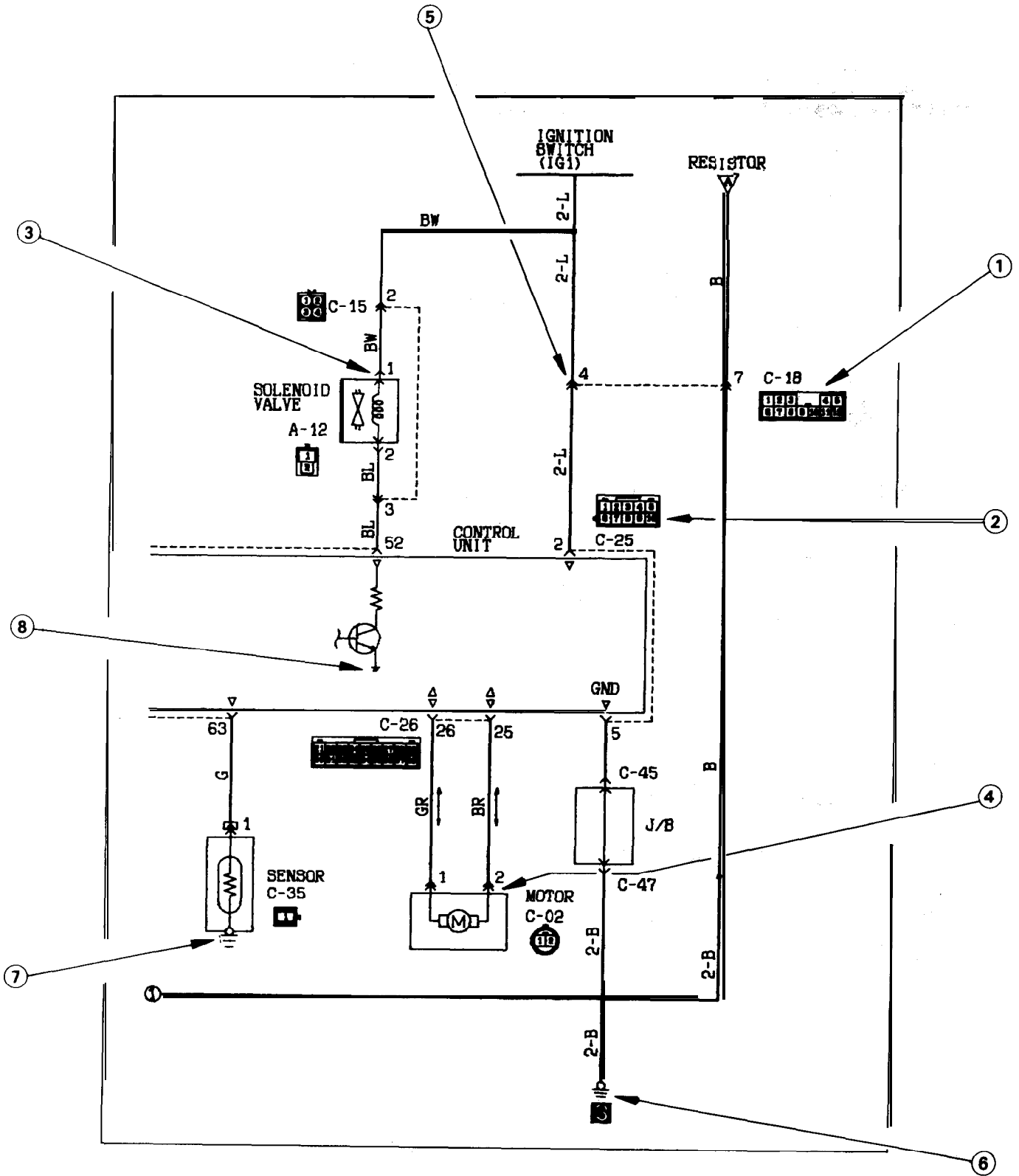
Indicates J/B (Junction Block).

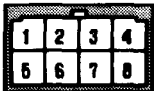

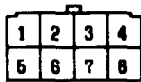

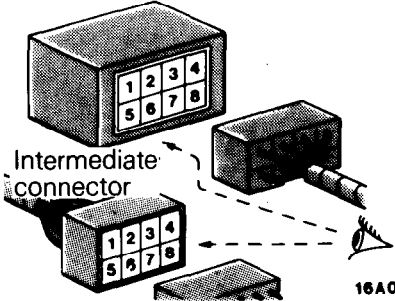
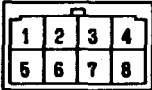
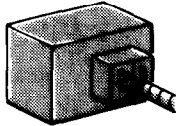
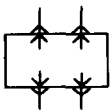
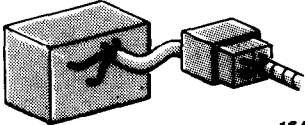
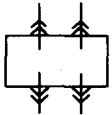


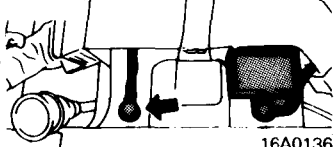

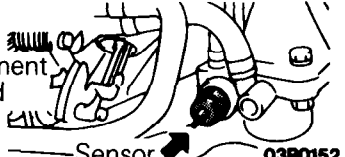
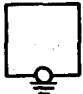
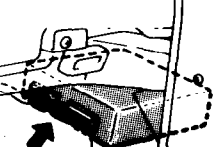

Indicates vehicle body ground point. (Same No. as that of ground point in ELECTRICAL SYSTEM PARTS LOCATION)

Indicates continuity of harnesses on the opposite page of a double page circuit diagram.

Indicates that the terminal is a spare one if the device (sensor in this case) is not provided.

CONNECTOR/GROUND INDICATIONS



	No.	Layout indications	Symbol	Description
Connector indications	①	Male 		Male and female terminals are distinguished one from the other as shown in the illustration: connectors framed by a double line are male terminals, and those framed by a single line are female terminals.
	-	Female 		
Connector symbol indications	②	Equipment  Intermediate connector 16A0333		Symbols are shown as facing in the direction indicated in the illustration. For connections to the equipment is shown; for intermediate connectors, the symbol for the connector at the male side is shown.
Connector connection indications	③	Direct-connect type 		There are two types of connection between the equipment and the connector at the harness: the type by which there is direct plug-in to the equipment (the direct-connect type), and the type by which connection is with the harness connector at the equipment (the type with harness); these are individually identified as shown in the illustration.
	④	Type with harness  16A0334		
	⑤	Intermediate connector  16A0339		
Ground indications	⑥	Chassis ground  16A0136		There are three types of grounds: the chassis ground, the equipment ground, and the ground within the control unit; these are individually identified as shown in the illustration.
	⑦	Equipment ground  Sensor 03R0152		
	⑧	Ground within control unit  16A0109		

**SYMBOLS**

Devices appearing in circuit diagrams are indicated by the following symbols.

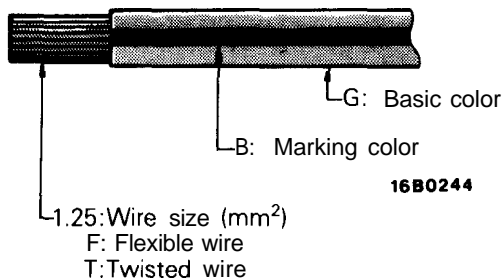
Battery 	Body ground 	Single bulb 	Resistor 	Diode 	Capacitor 
Fuse 	Equipment ground 	Dual bulb 	Variable resistor 	Zener diode 	Crossing of wires without connection 
Fusible link 	ECU interior ground 	Speaker 	Coil 	Transistor with 	Crossing of wires connection 
Connector Female side  Male side 	Motor 	Horn 	Pulse generator 	Buzzer 	Chime 
Thyristor 	Piezoelectric device 	Thermistor 	Light emitting diode 	Photo diode 	Photo transistor 

16A0252

**WIRE COLOR CODES**

Wire colors are identified by the following color codes.

Example: 1.25F-GB



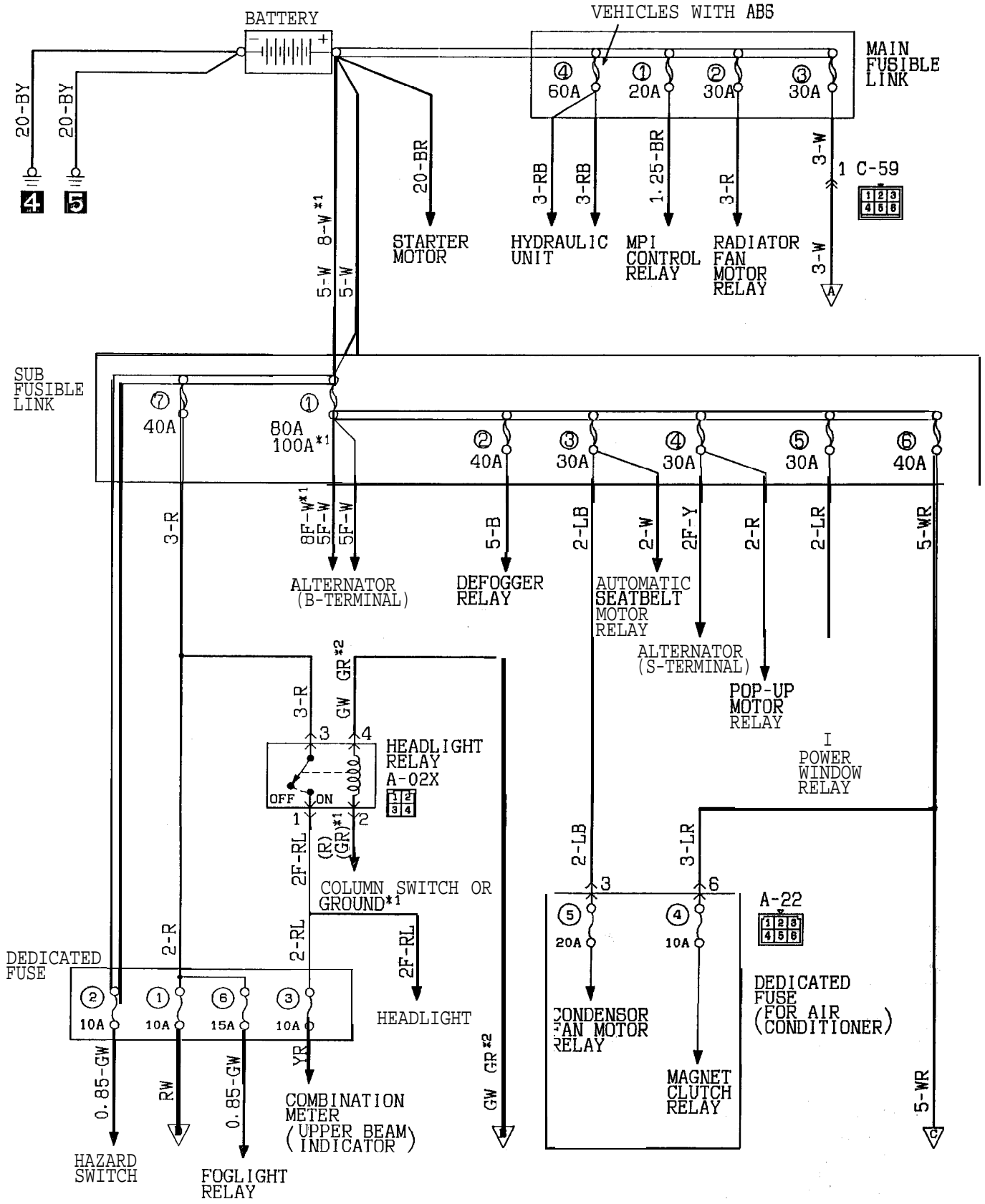
- (1) No code indicates 0.5 mm<sup>2</sup> (.0008 in.<sup>2</sup>).
- (2) Cable color code in parentheses indicates 0.3 mm<sup>2</sup> (.0005 in.<sup>2</sup>).

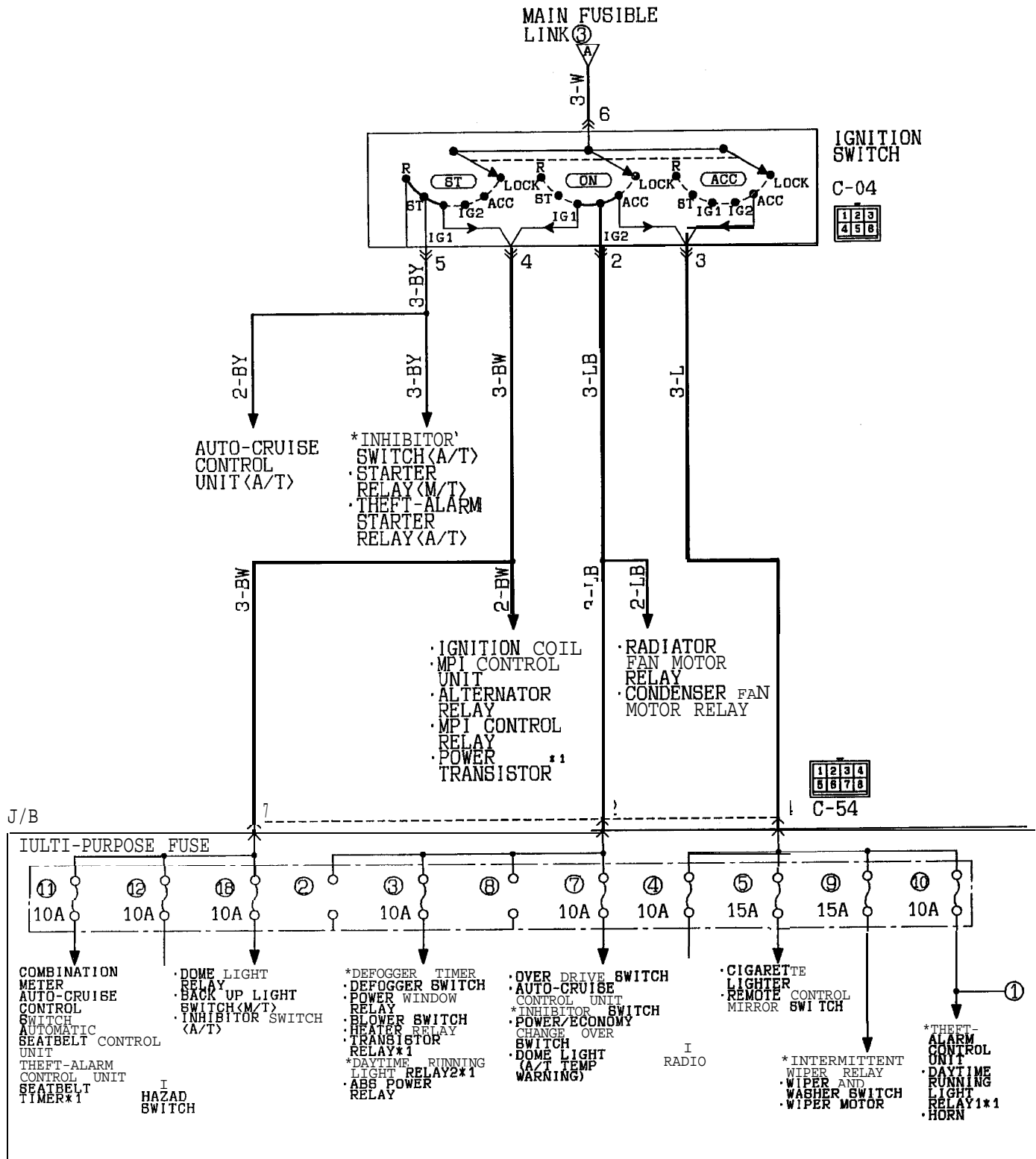
Code	Wire color	Code	Wire color
B	Black	V	Violet
Br	Brown	O	Orange
G	Green	P	Pink
Gr	Gray	R	Red
L	Blue	Y	Yellow
Lg	Light green	W	White
Sb	Sky blue		

**NOTE**

If a cable has two colors, the first of the two color code characters indicates the basic color (color of the cable coating) and the second indicates the marking color.

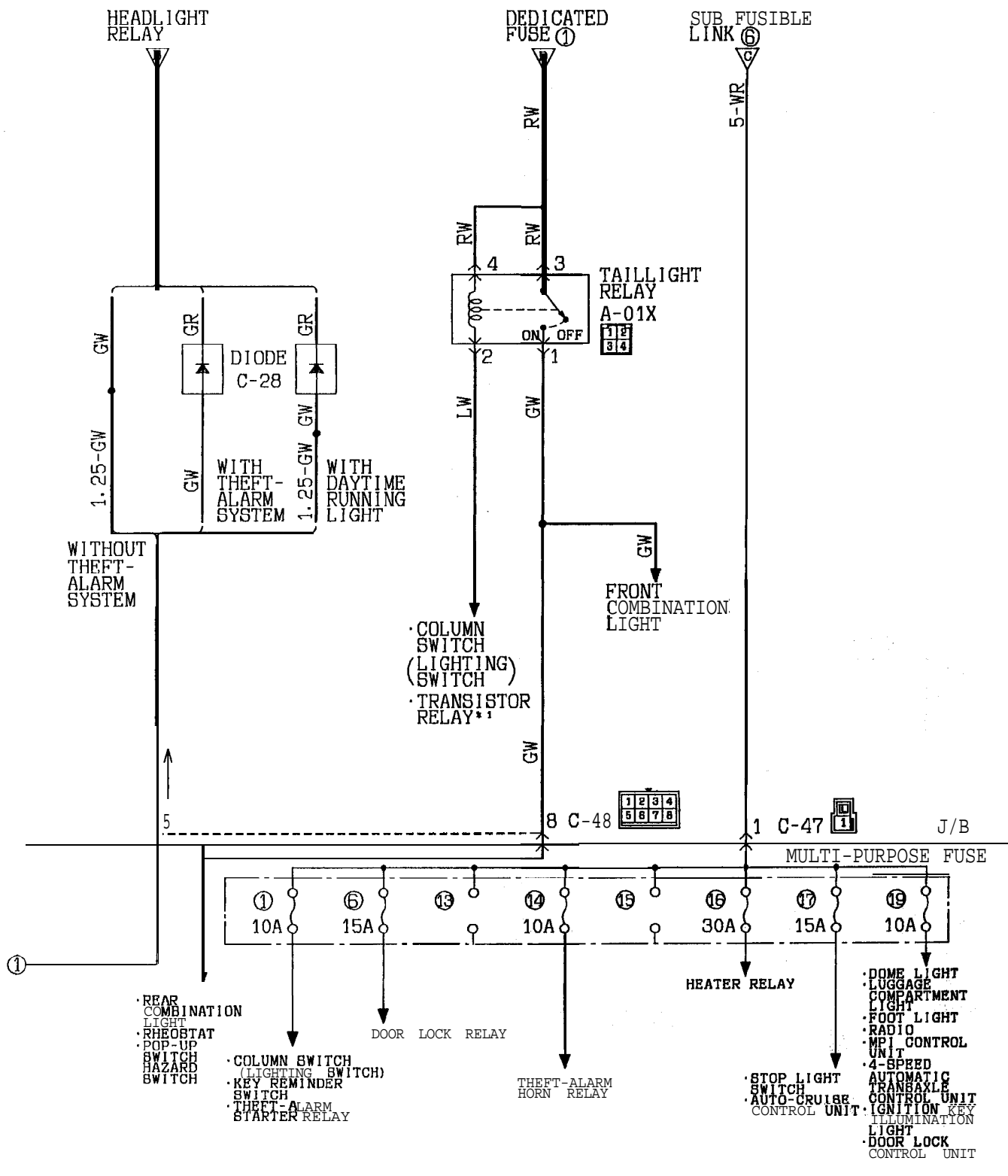
POWER DISTRIBUTION CIRCUIT





REMARKS

- (1) THE ABOVE CIRCUIT DIAGRAM SHOWS THE CURRENT FLOW AT THE IGNITION KEY POSITIONS "ACC", "ON" AND "ST" COMBINED.
- (2) BE SURE TRACE THE APPROPRIATE CIRCUIT DEPENDING ON THE IGNITION KEY POSITION.
- (3) \*1: VEHICLES FOR CANADA.
- (4) \*2: VEHICLES WITH THEFT-ALARM SYSTEM.

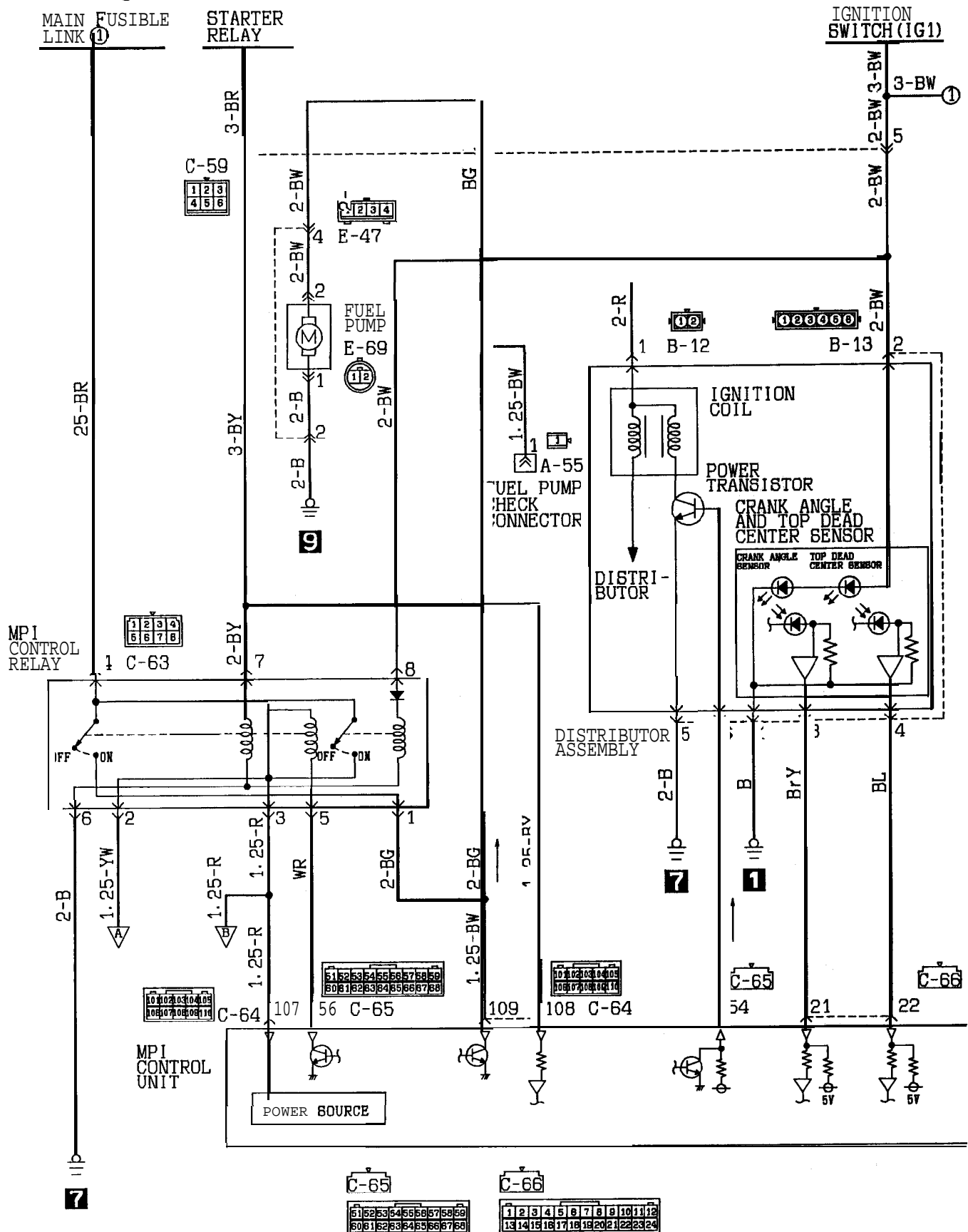


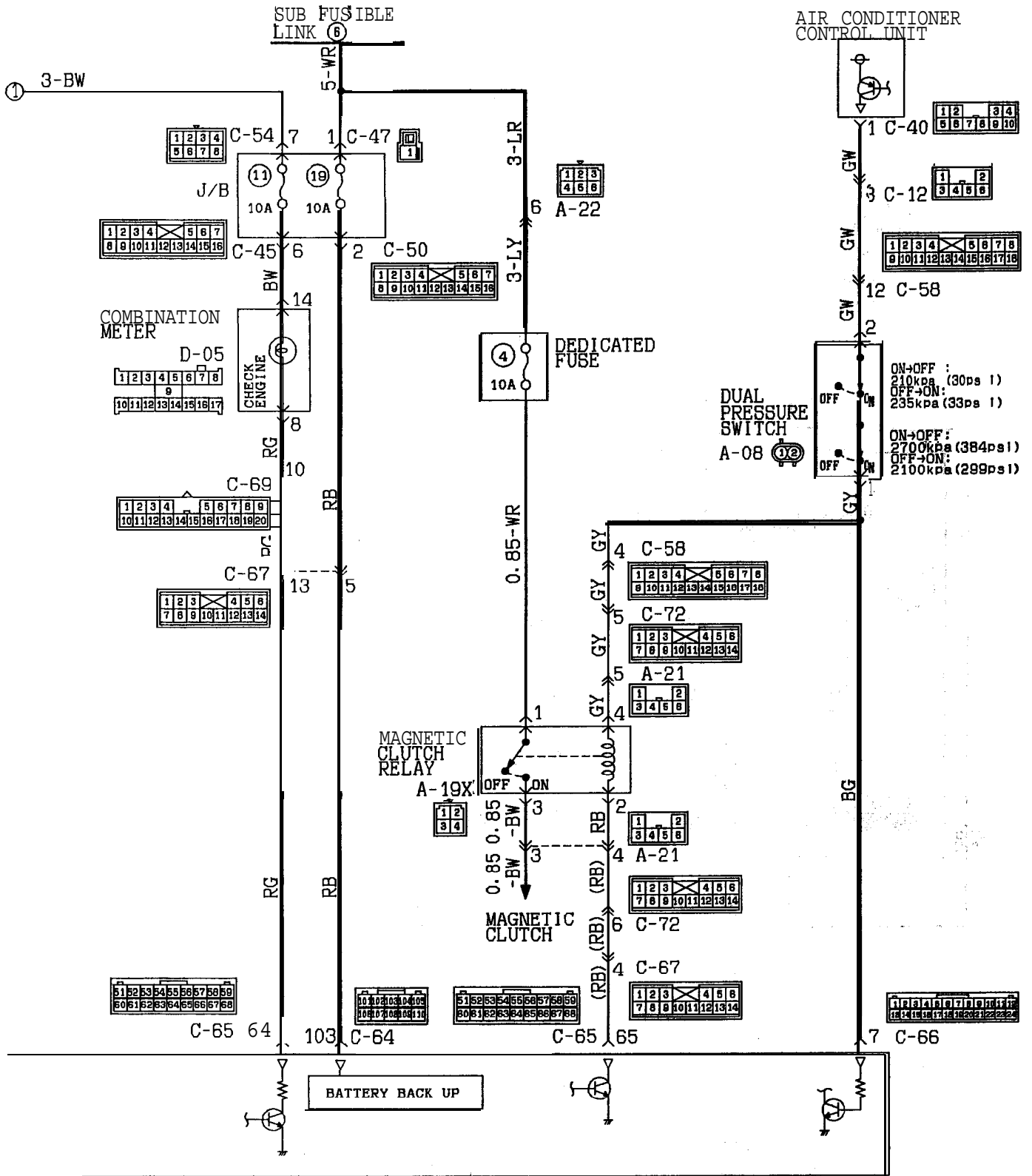
REMARK  
 \*1: VEHICLES FOR CANADA.

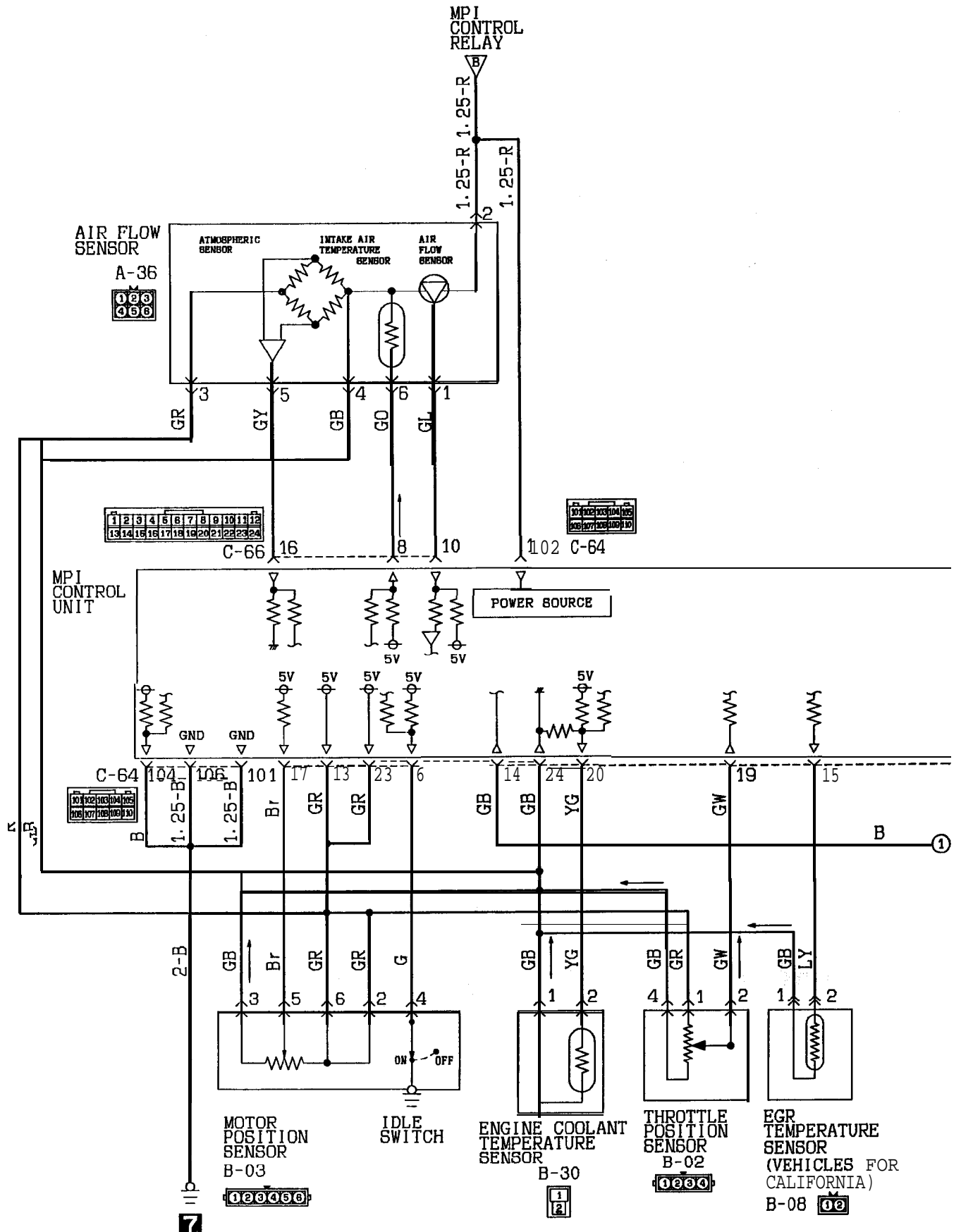


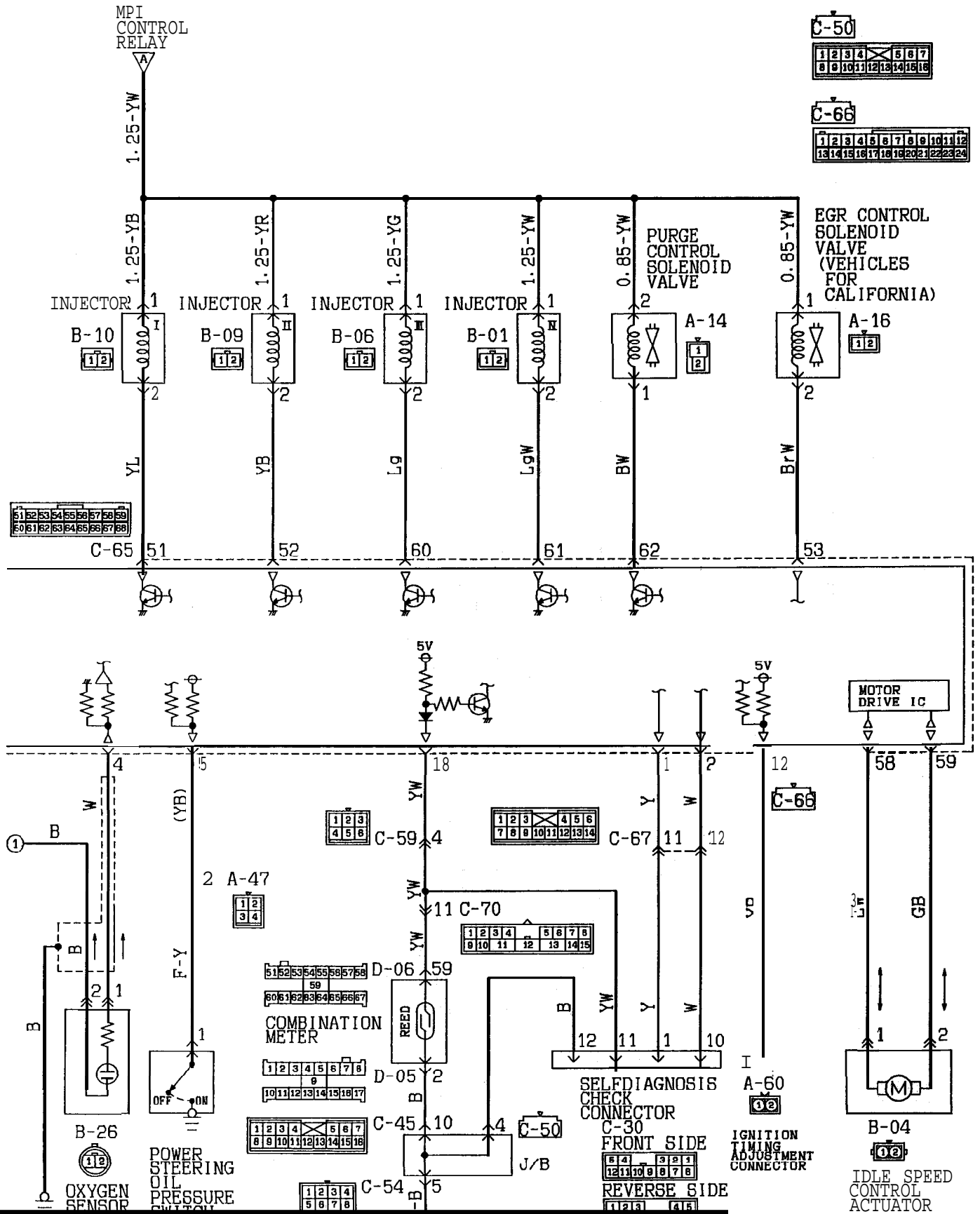
**MPI CIRCUIT**

1.8L Engine <M/T>

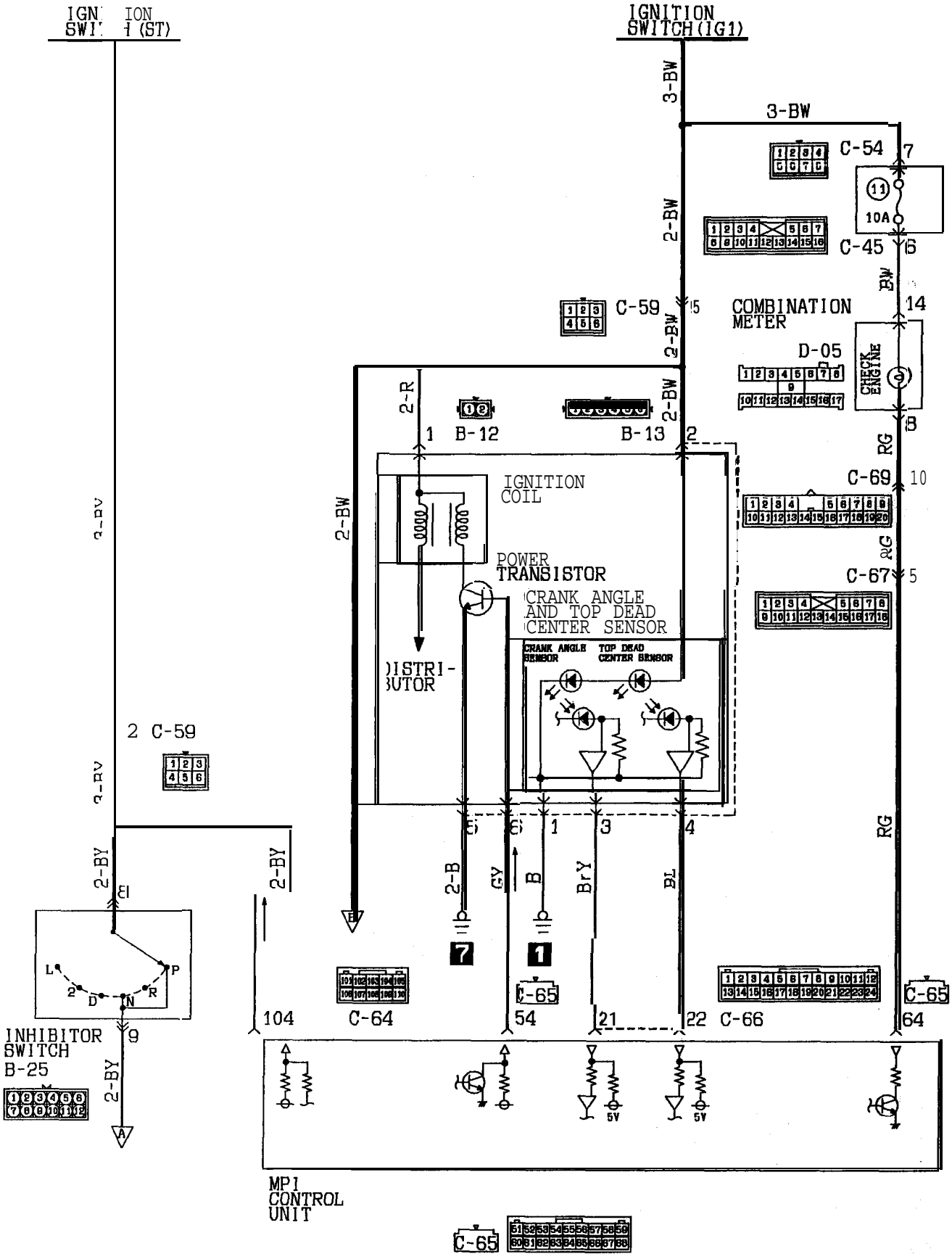


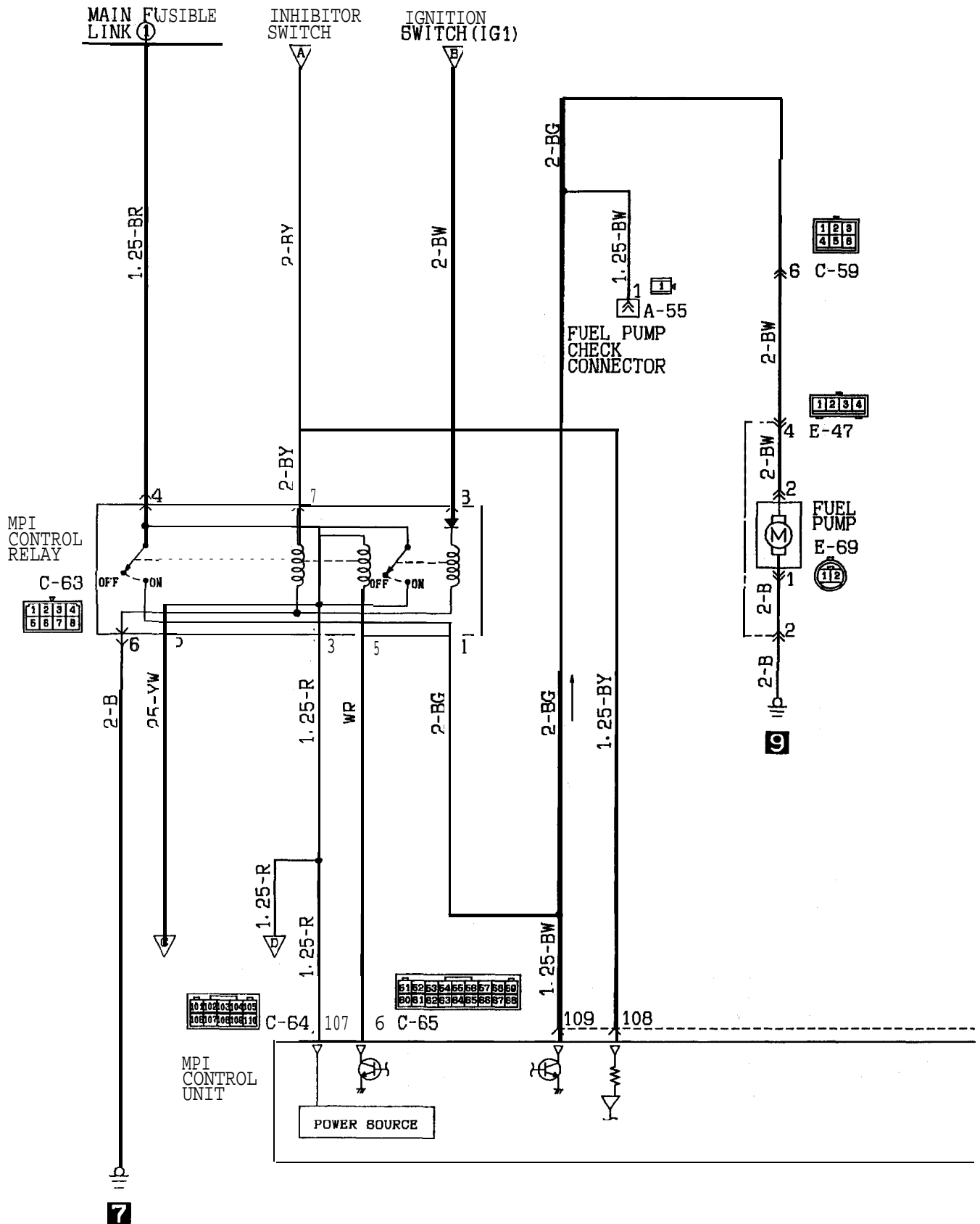


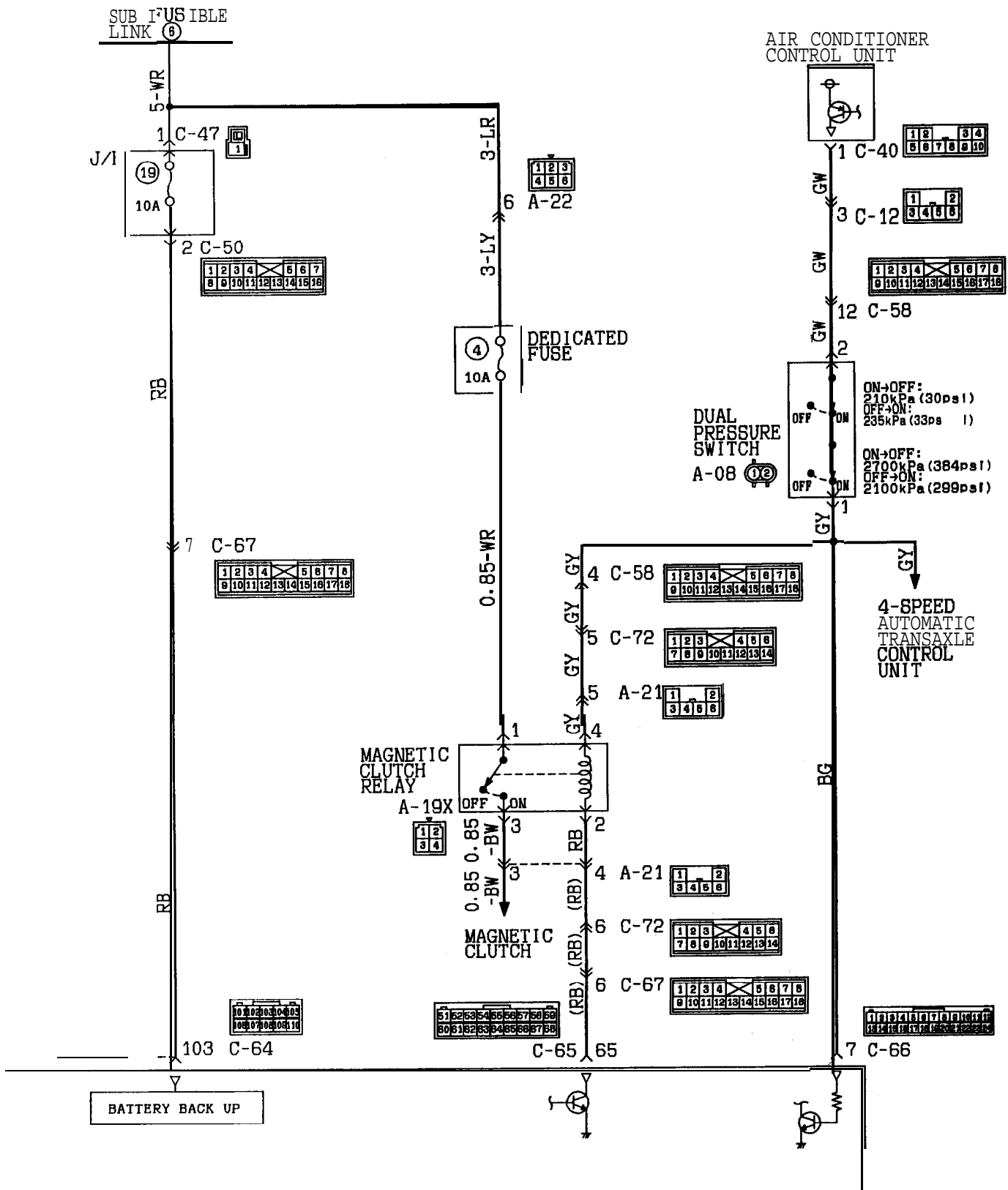


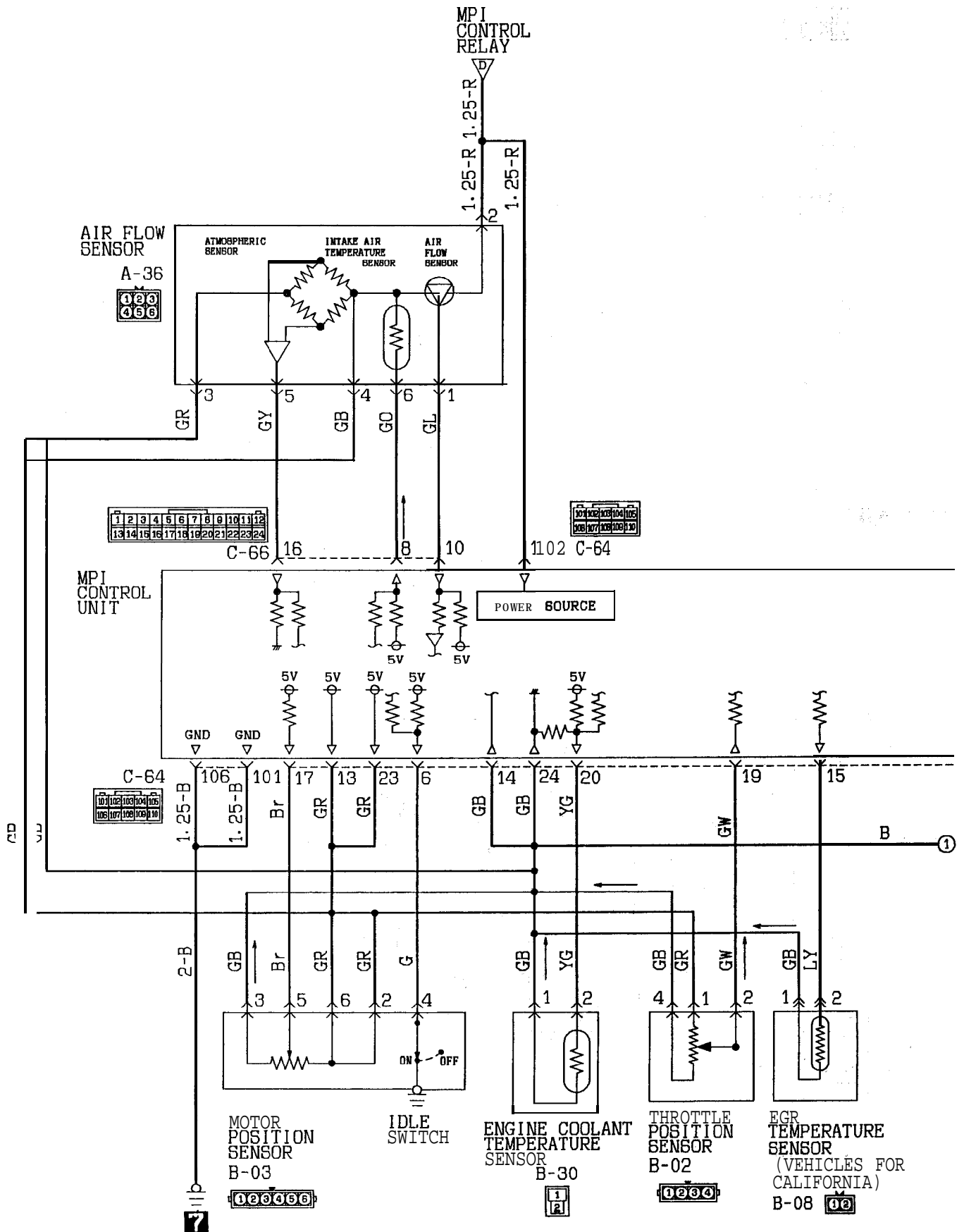


1.8L Engine <A/T>

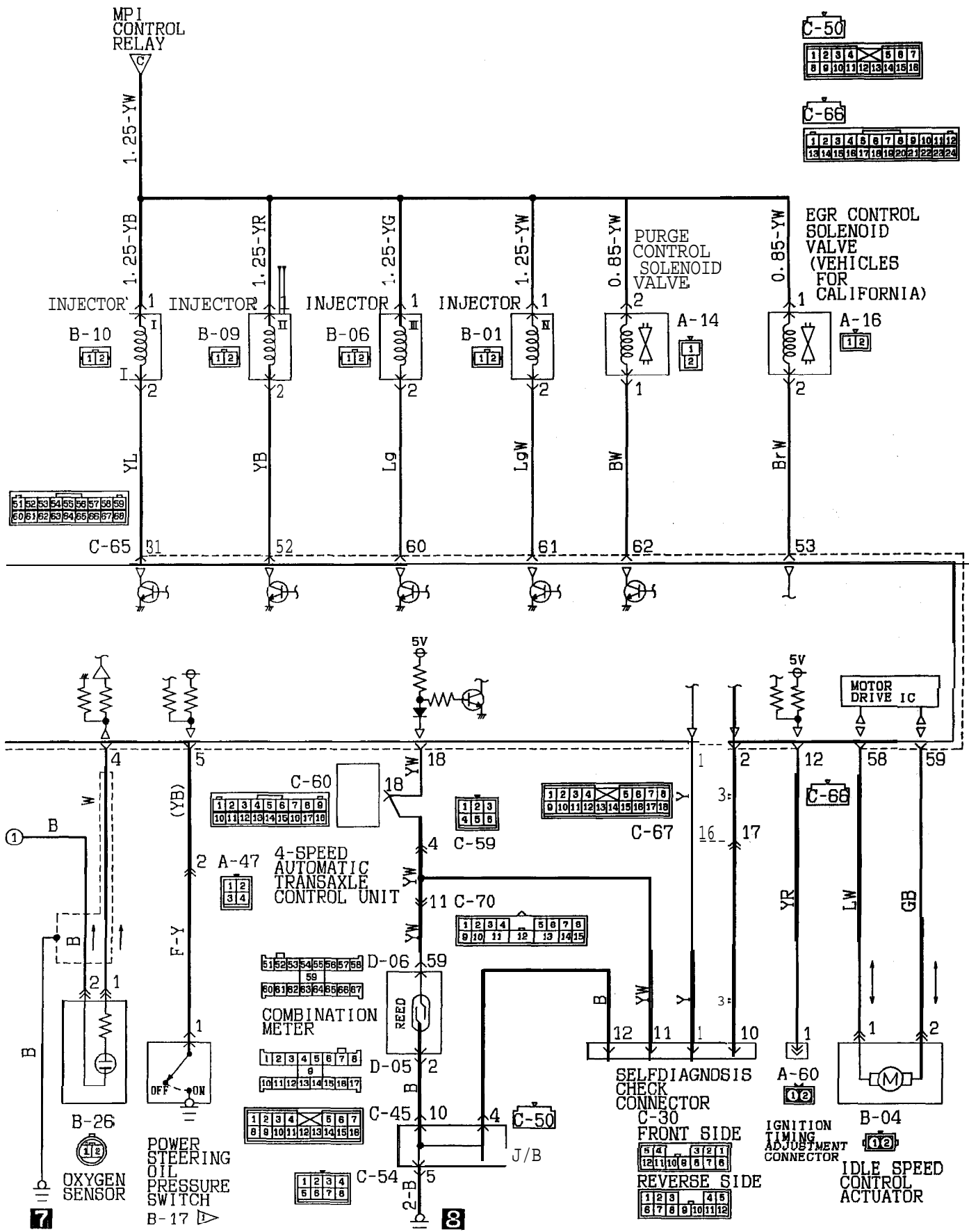






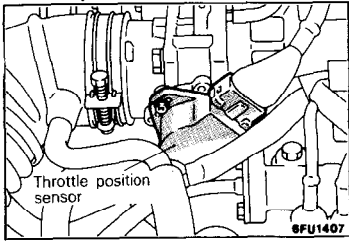




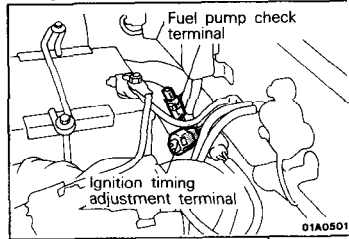


**COMPONENTS LOCATION < 1.8L ENGINE >**

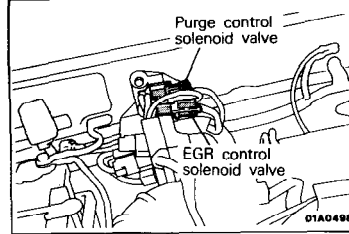
**Throttle position sensor**



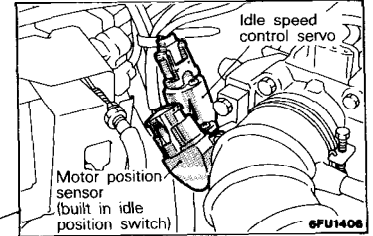
**Ignition timing adjustment terminal  
Fuel pump check terminal**



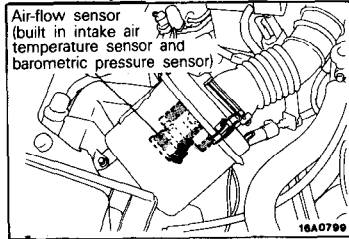
**EGR control solenoid valve [Calif. only]  
Purge control solenoid valve**



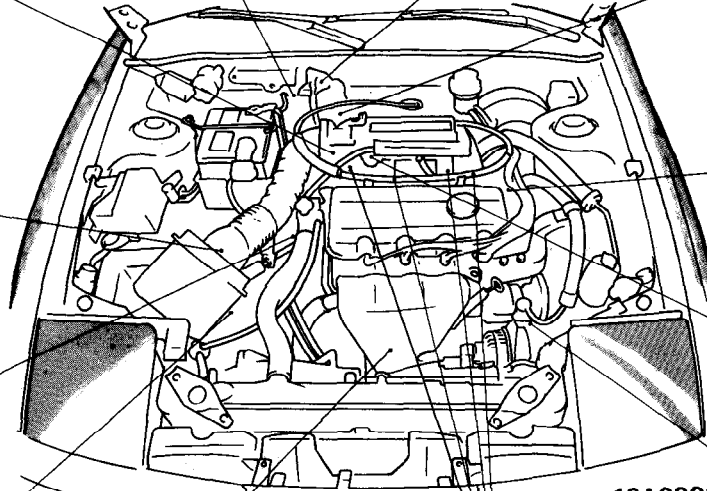
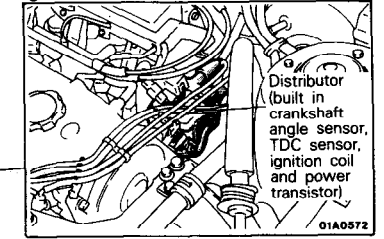
**ISC servo, Idle position swtch, MPS**



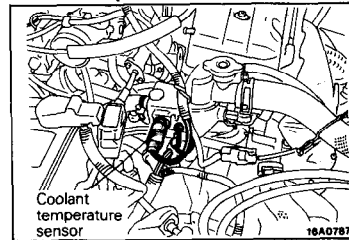
**Air-flow sensor  
Intake air temperature sensor  
Barometric pressure sensor**



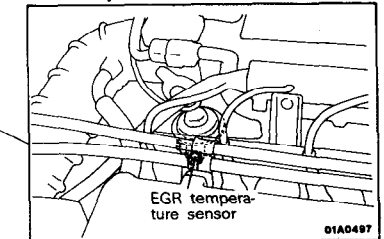
**Crankshaft angle sensor, TDC sensor  
Ignition coil, Power transistor**



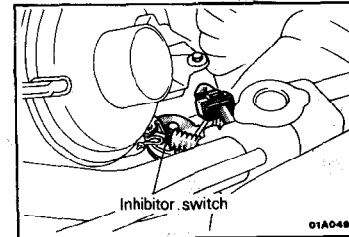
**Coolant temperature sensor**



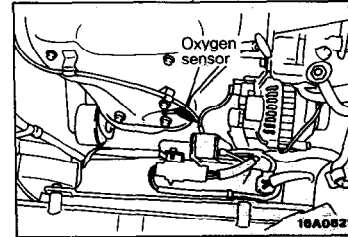
**EGR temperature sensor [Calif. only]**



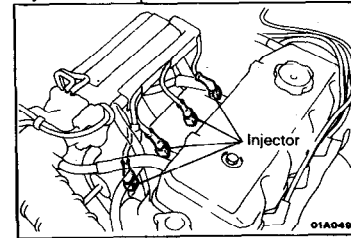
**Inhibitor switch (A/T)**



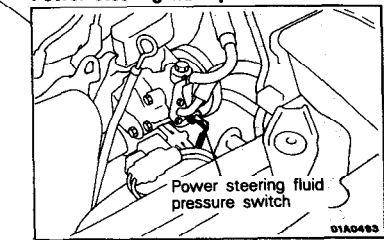
**Oxygen sensor**



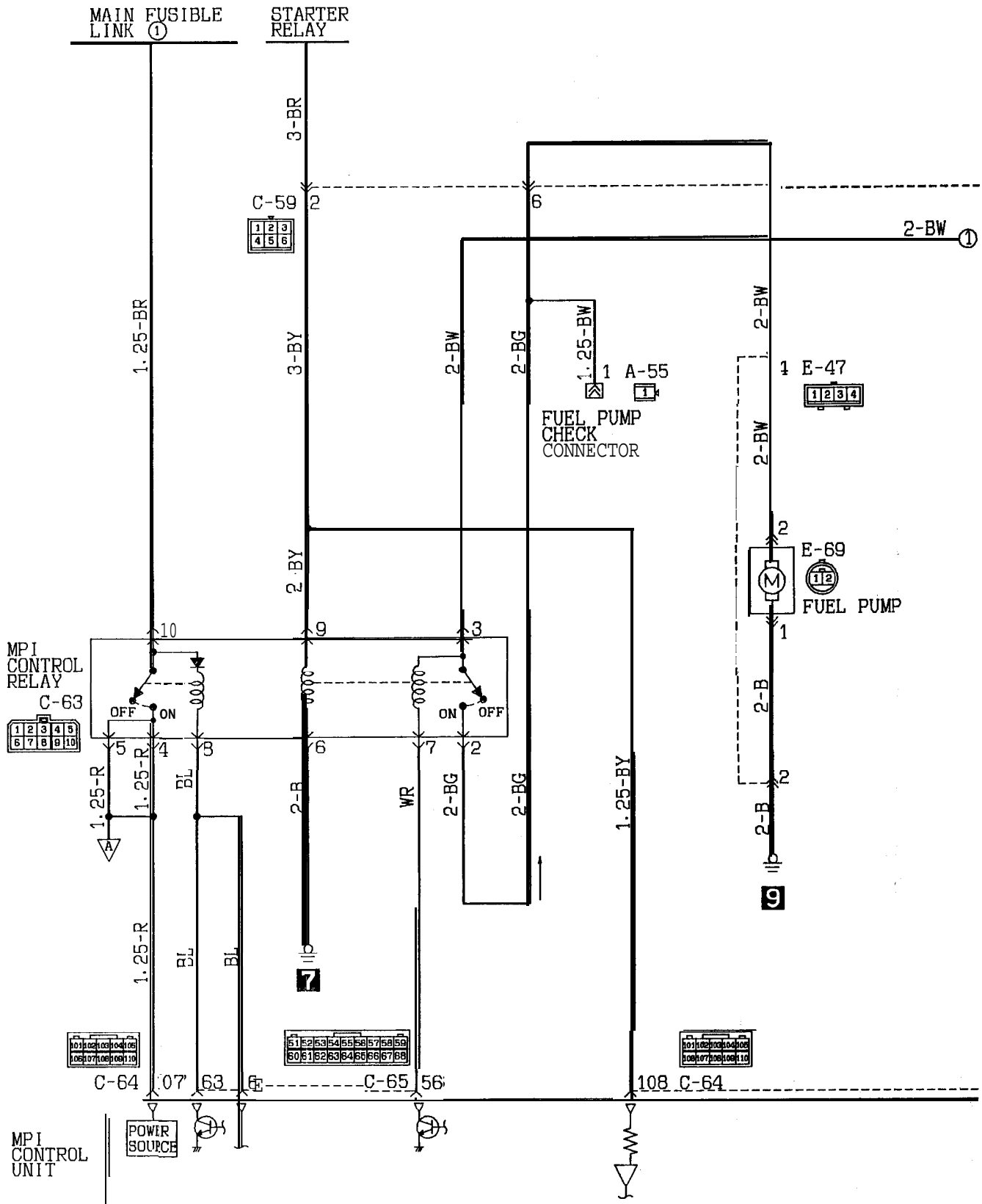
**Injector**

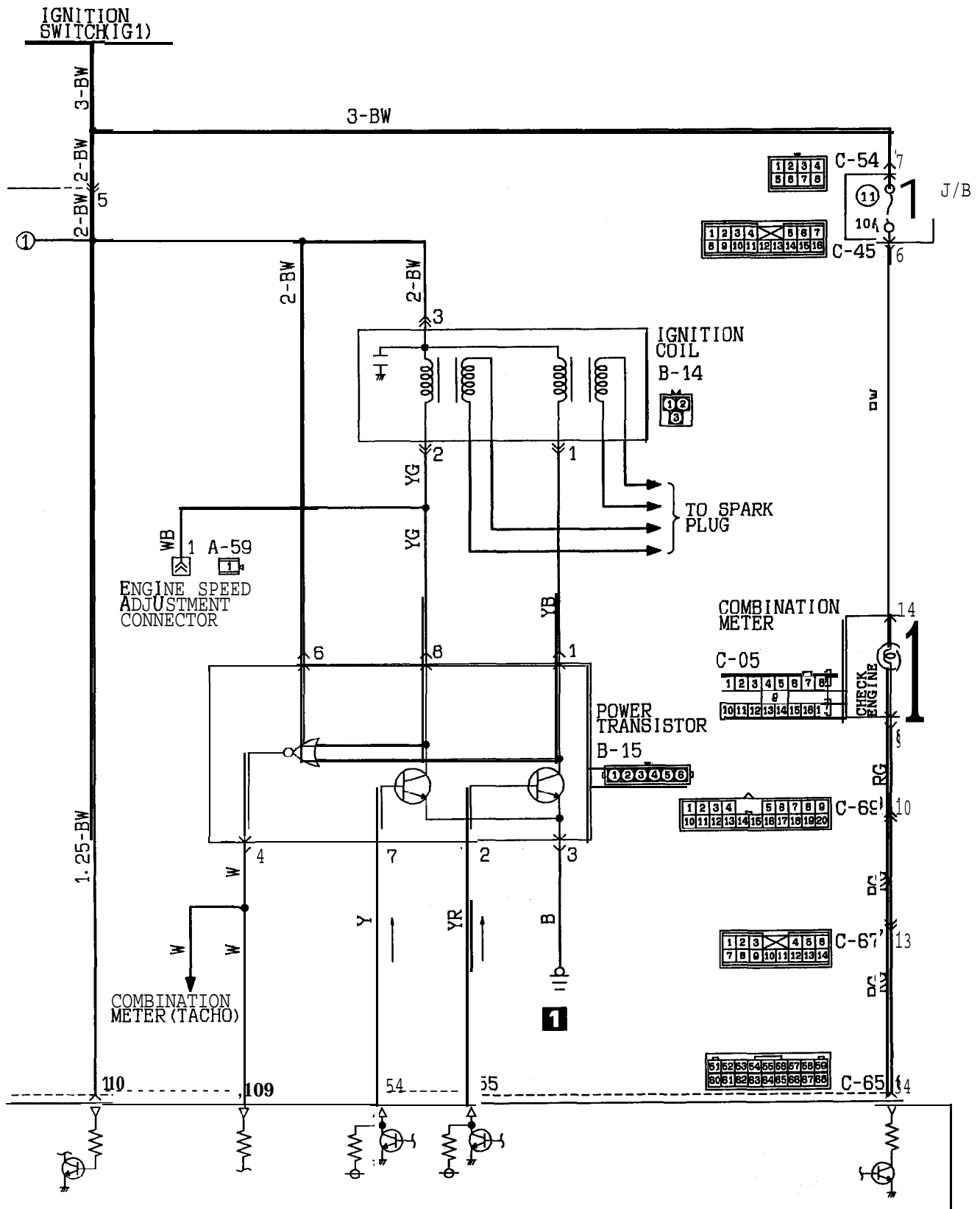


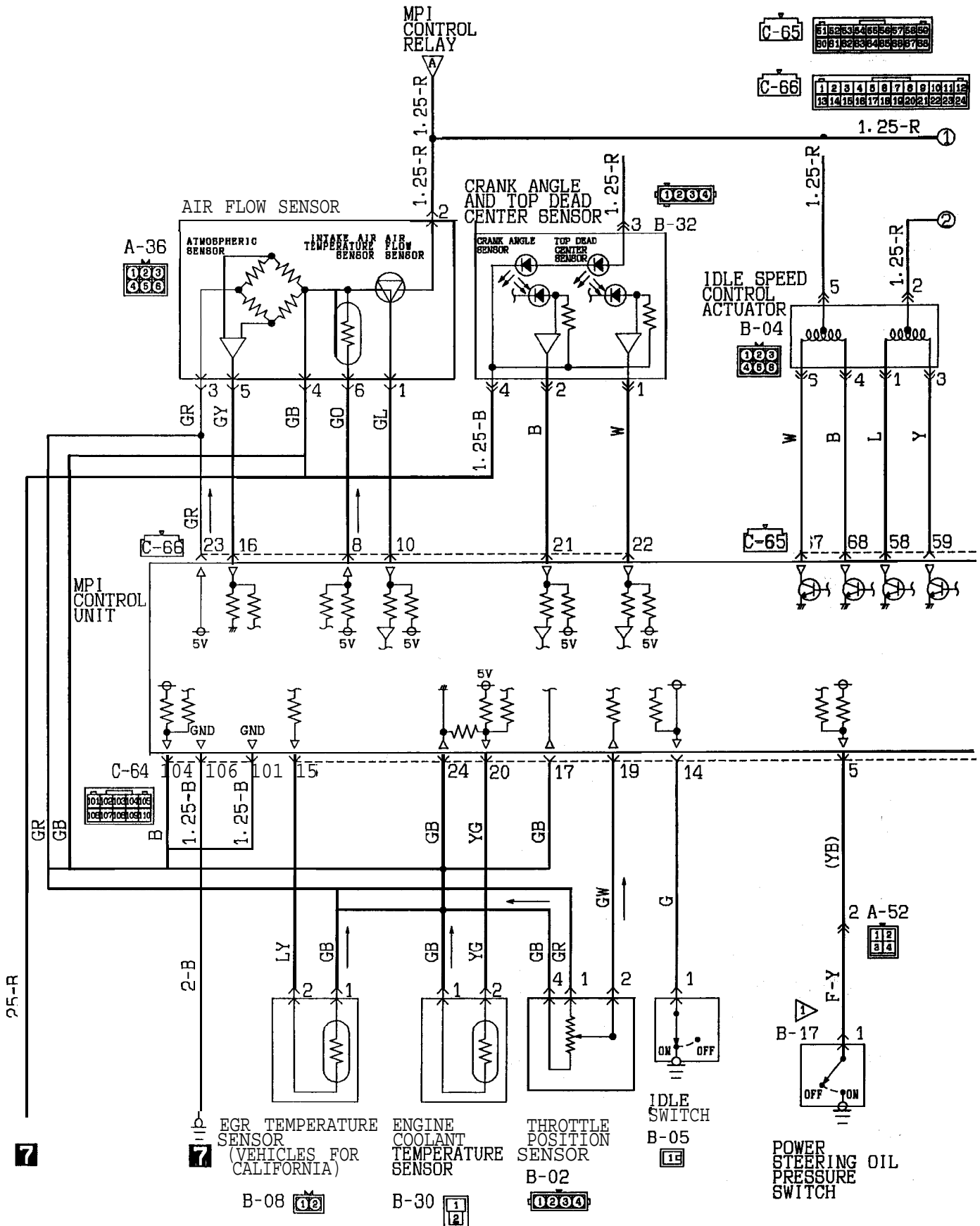
**Power steering fluid pressure switch**

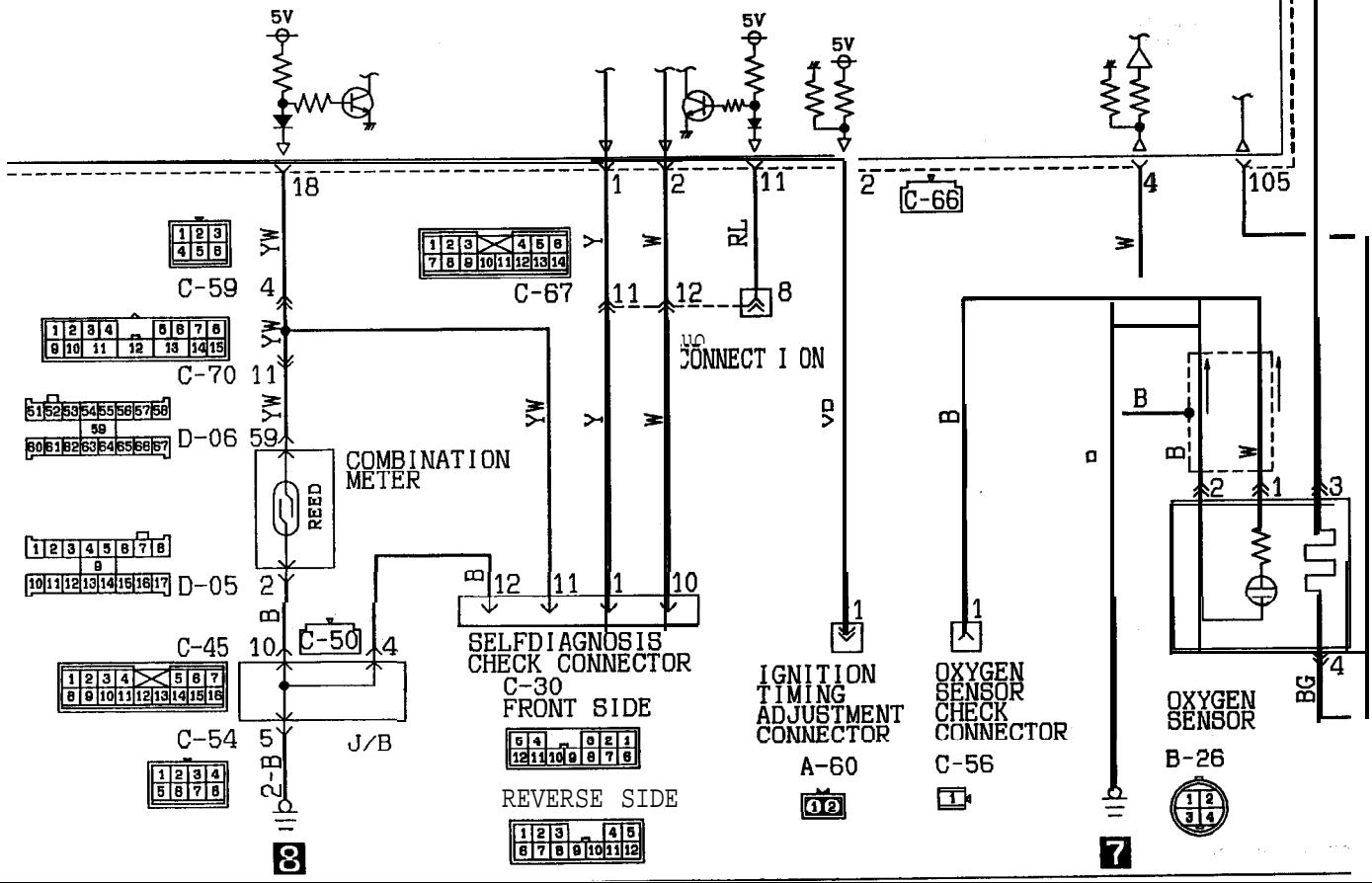
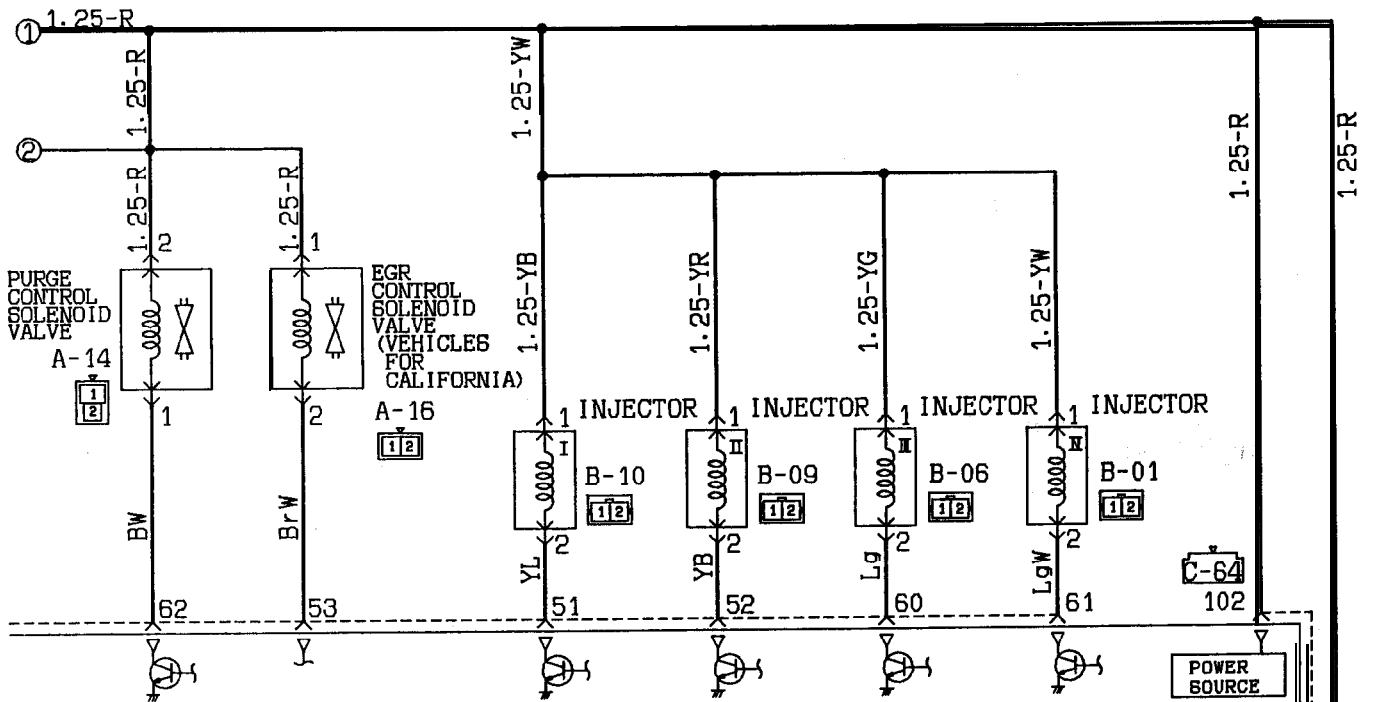


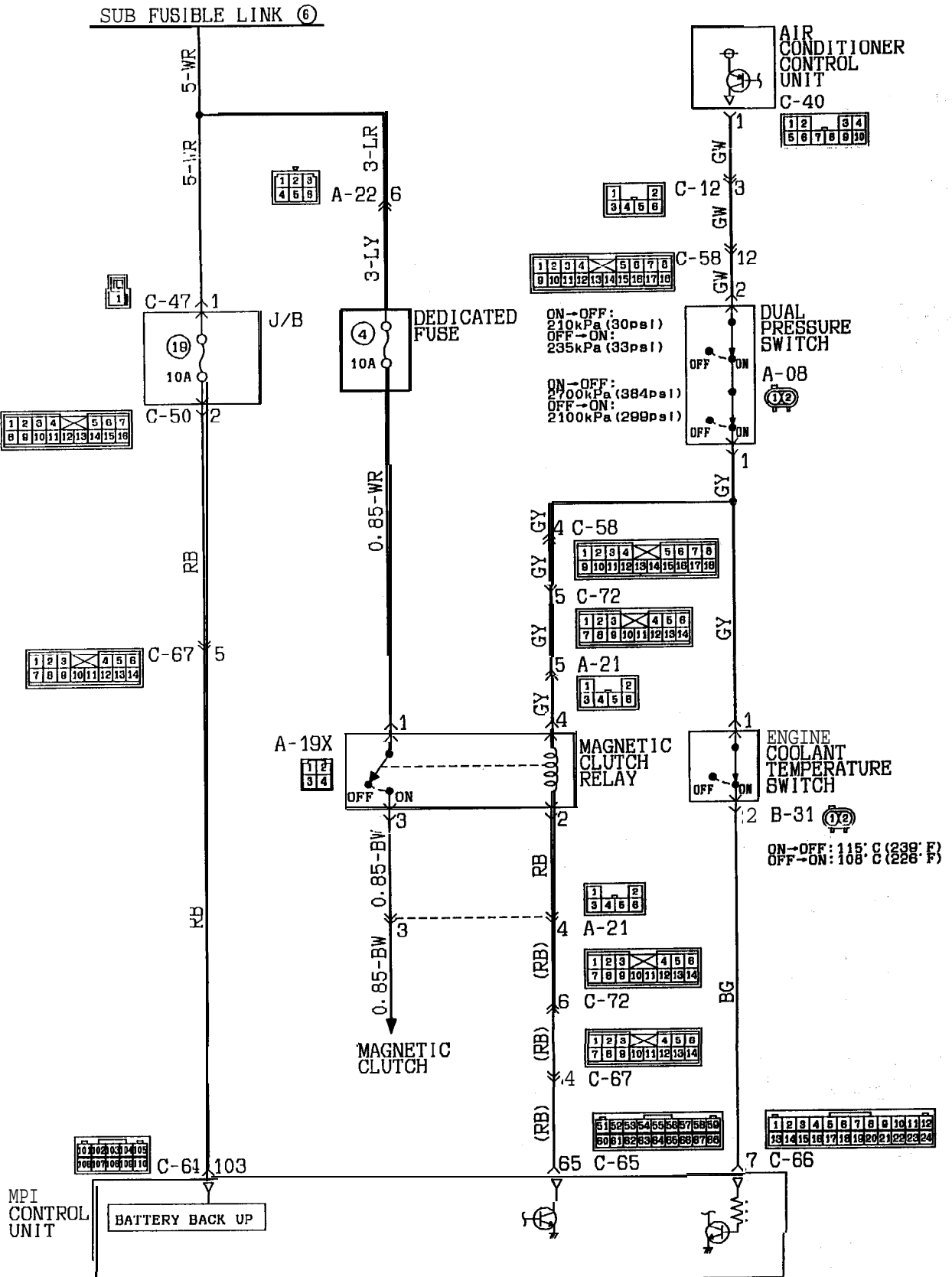
2.0L DOHC Engine (Non-Turbo) <M/T>



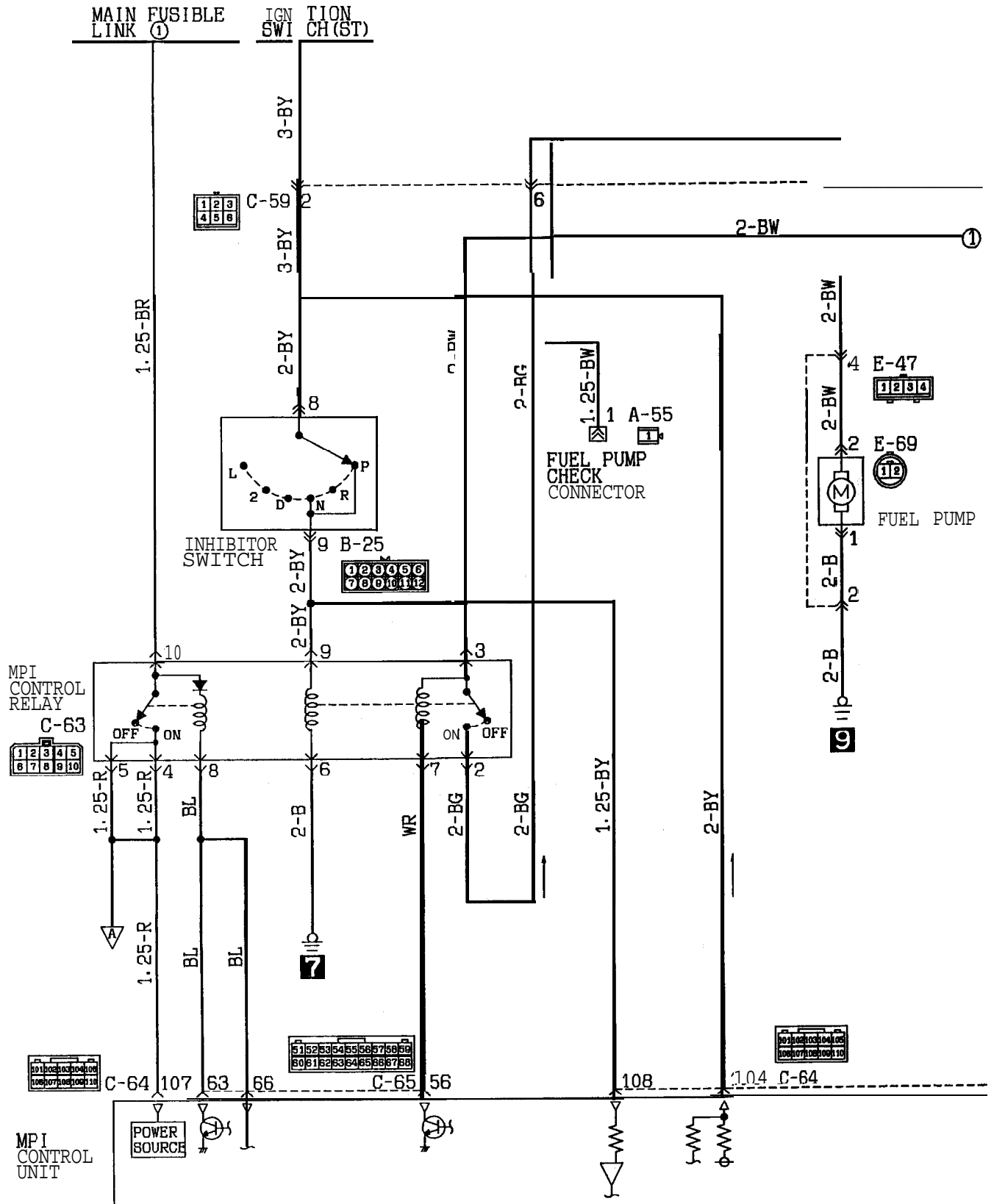




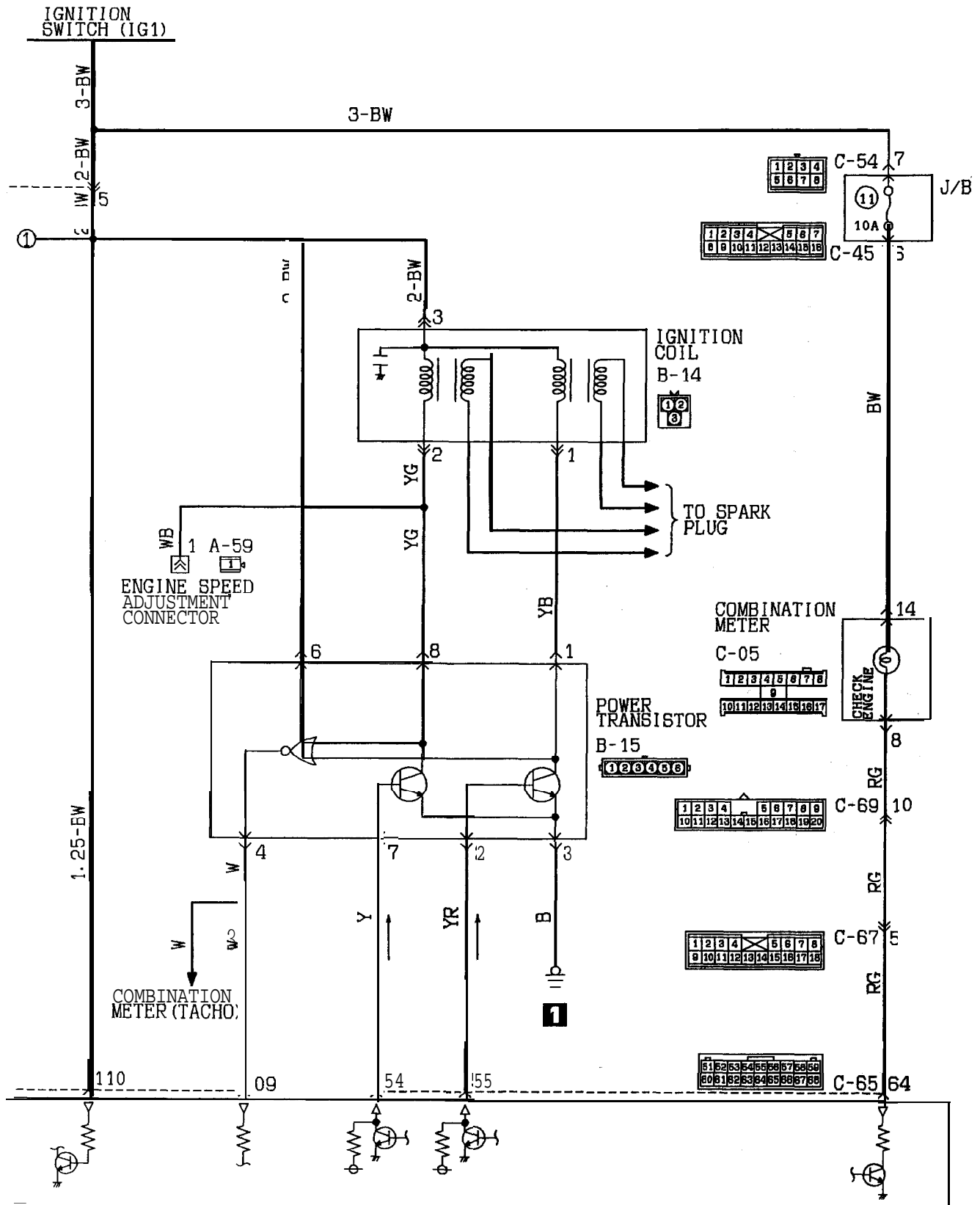


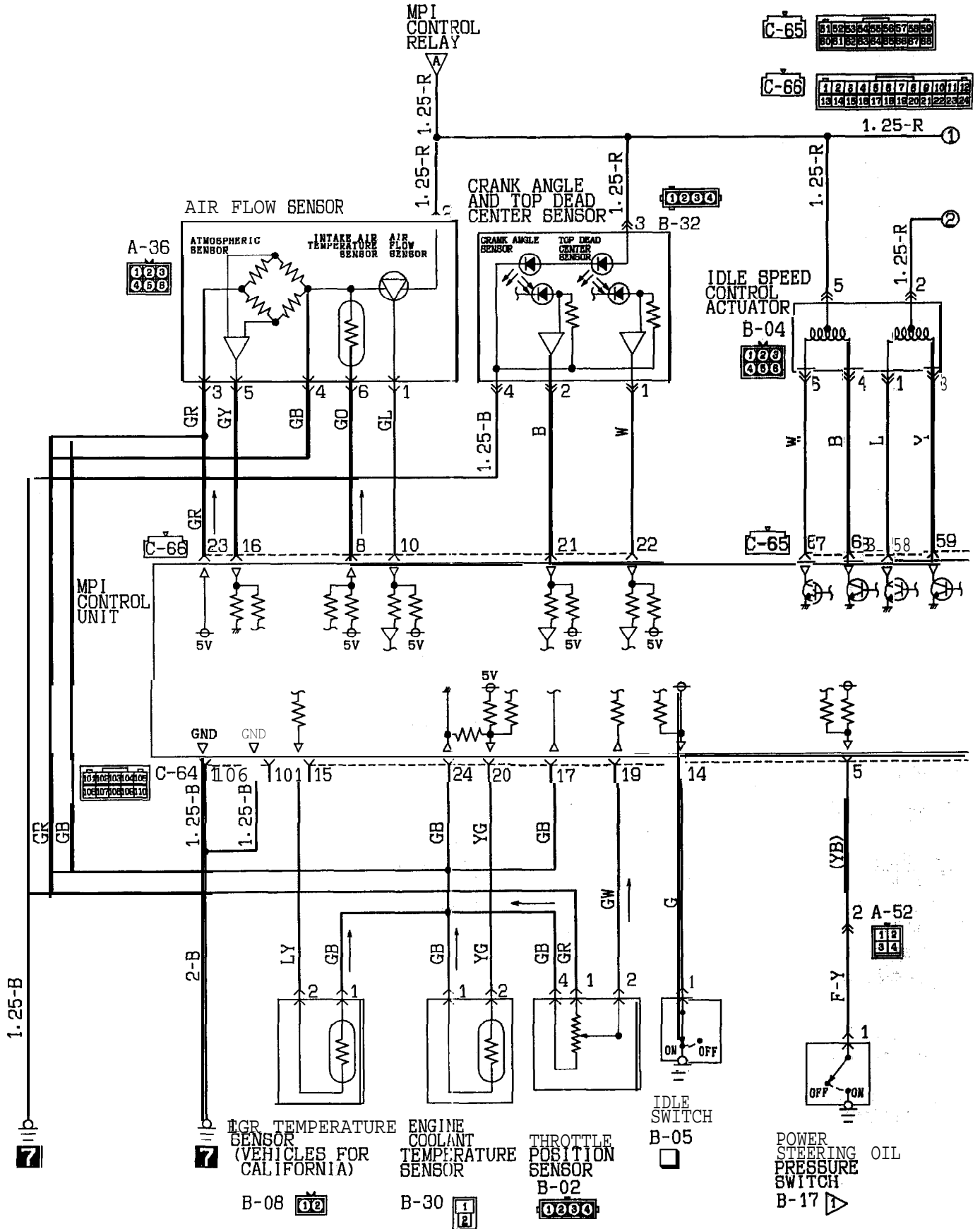


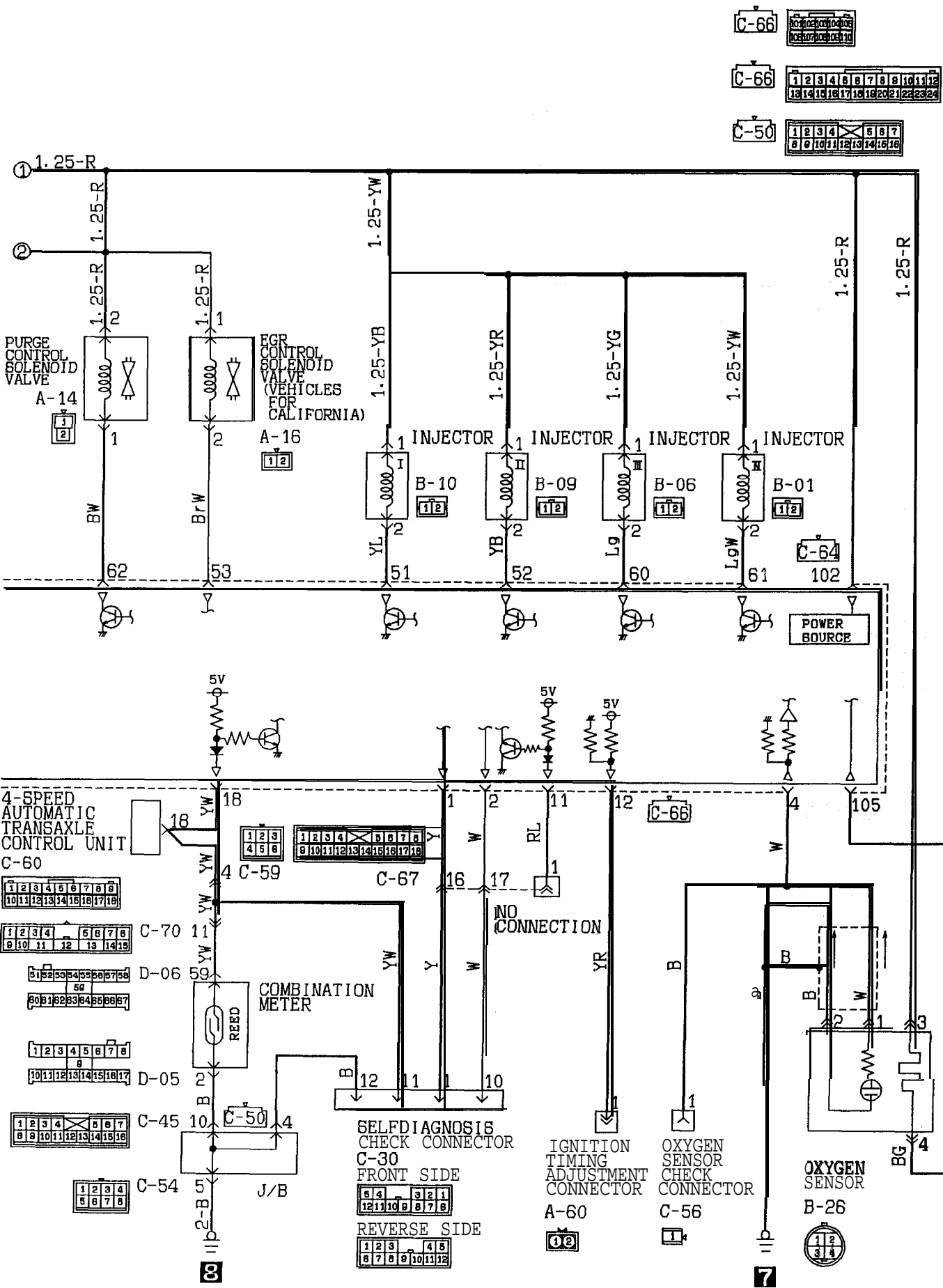
2.0L DOHC Engine (Non-Turbo) <A/T>

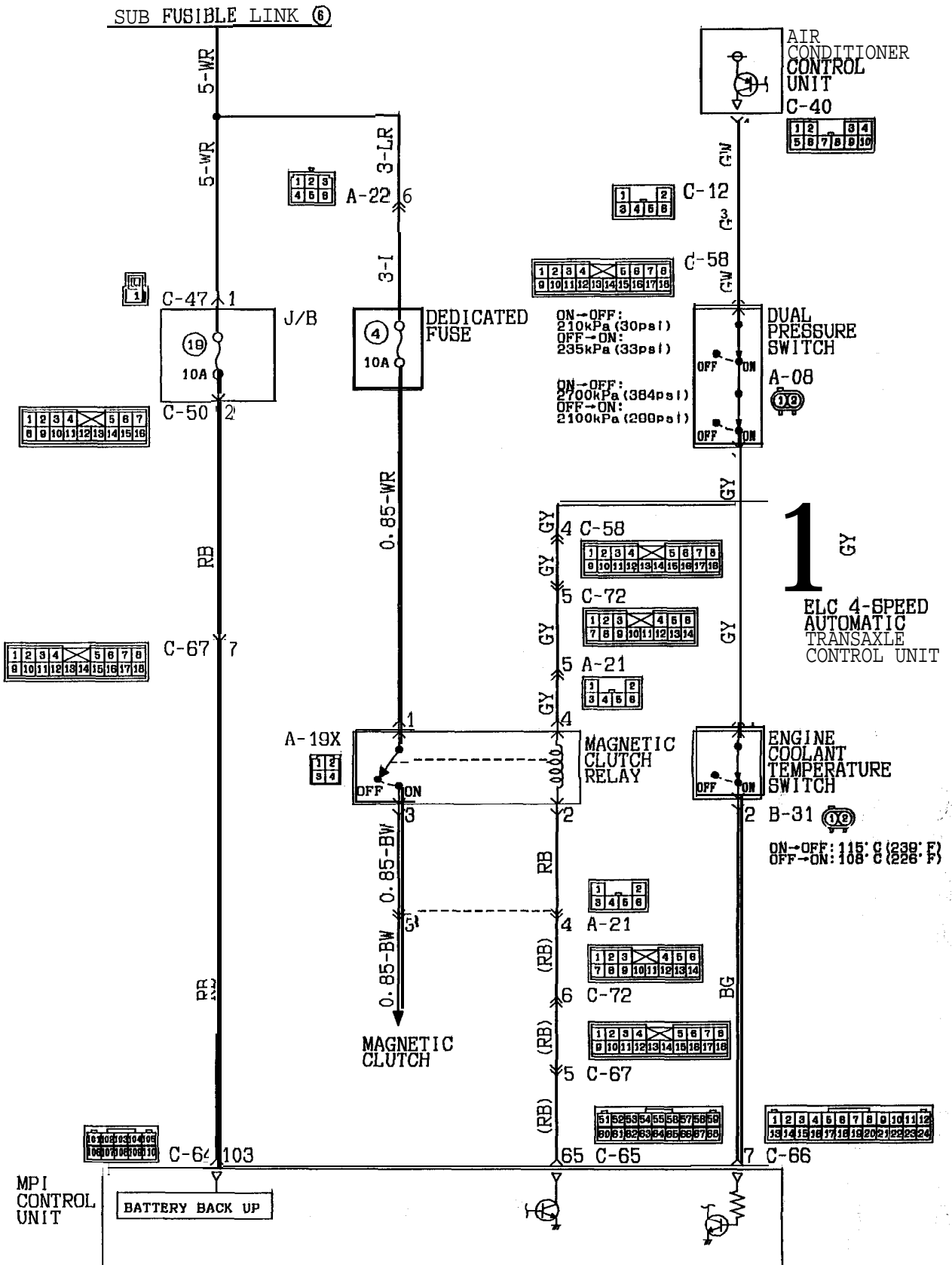




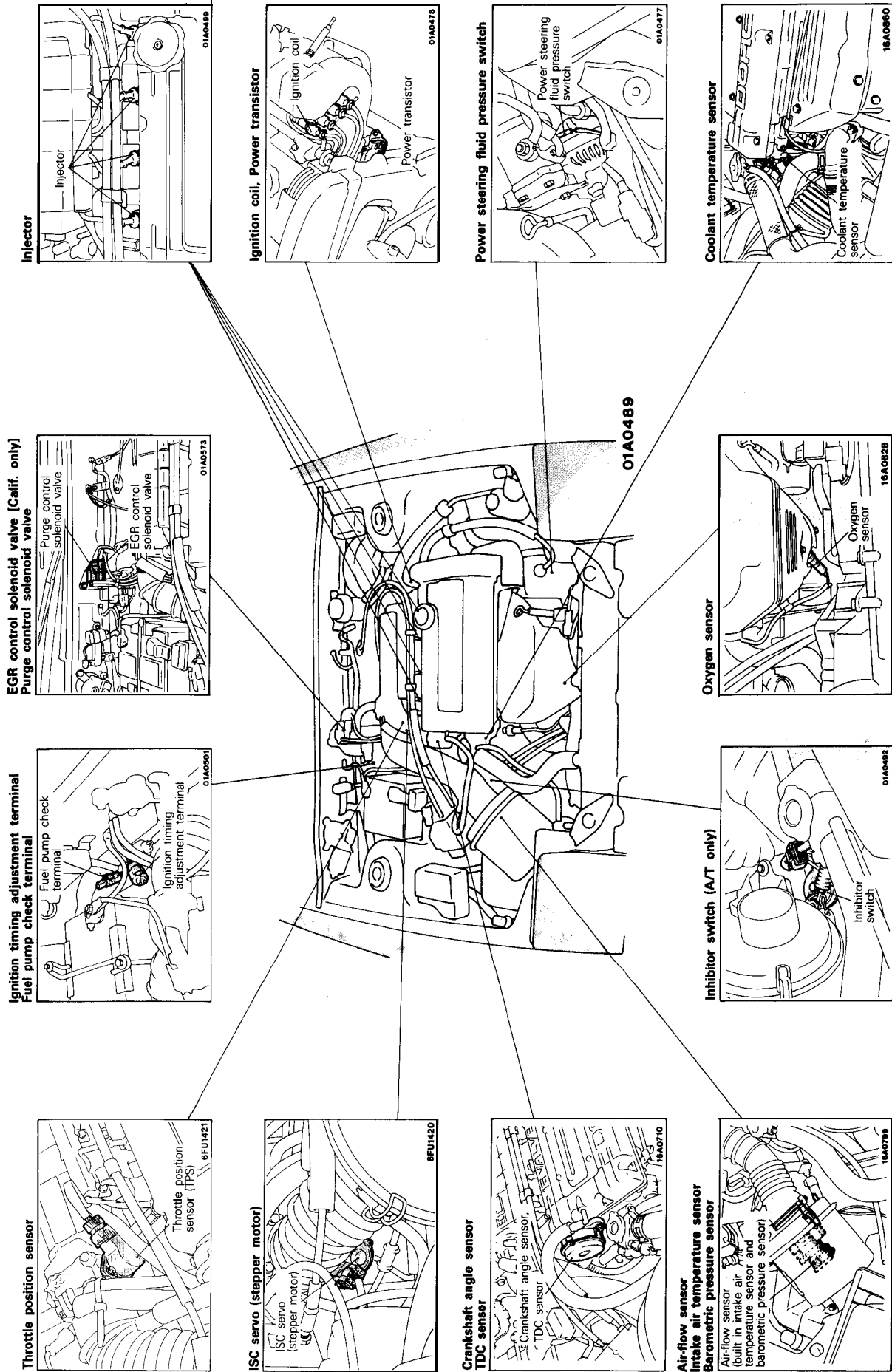




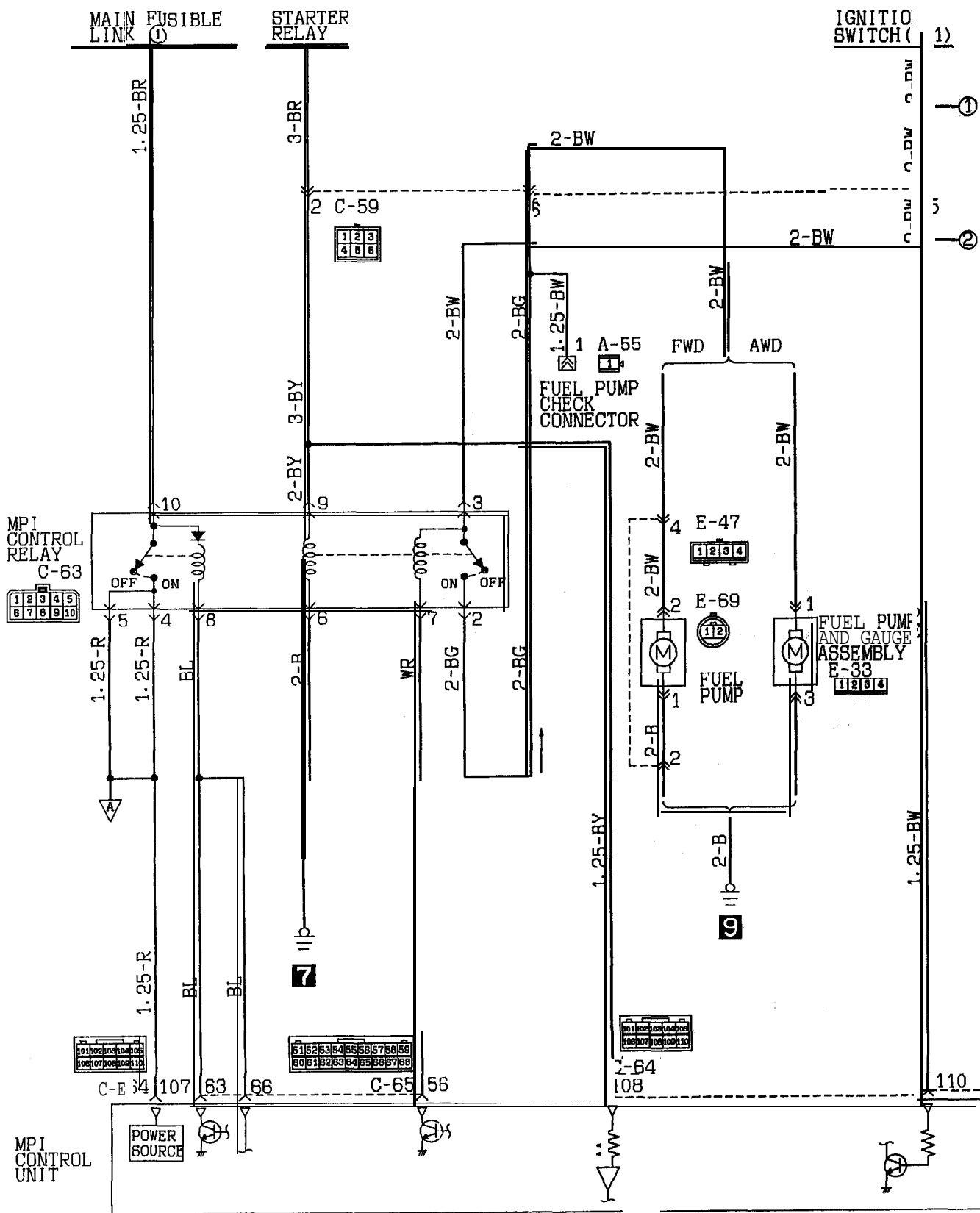


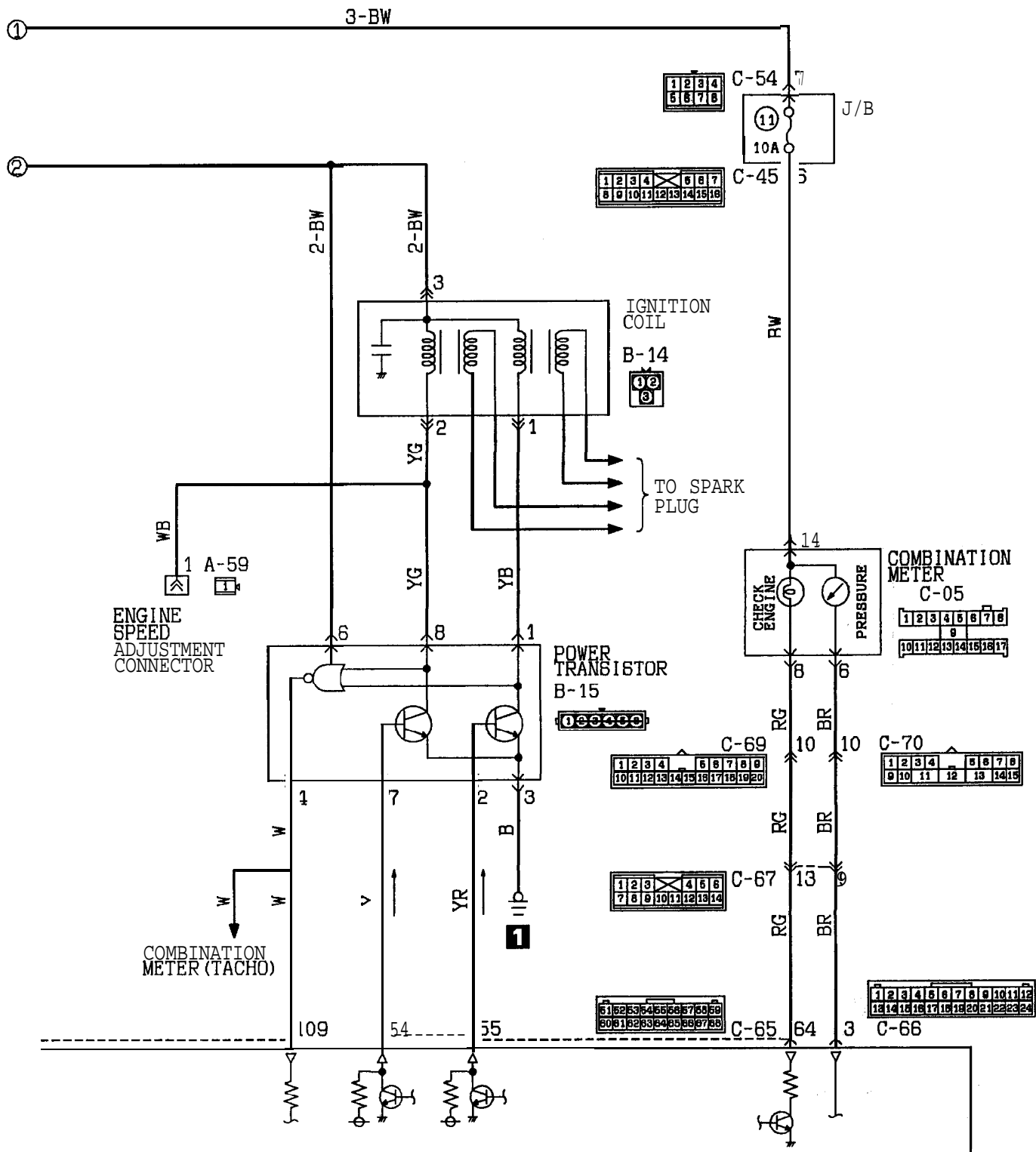


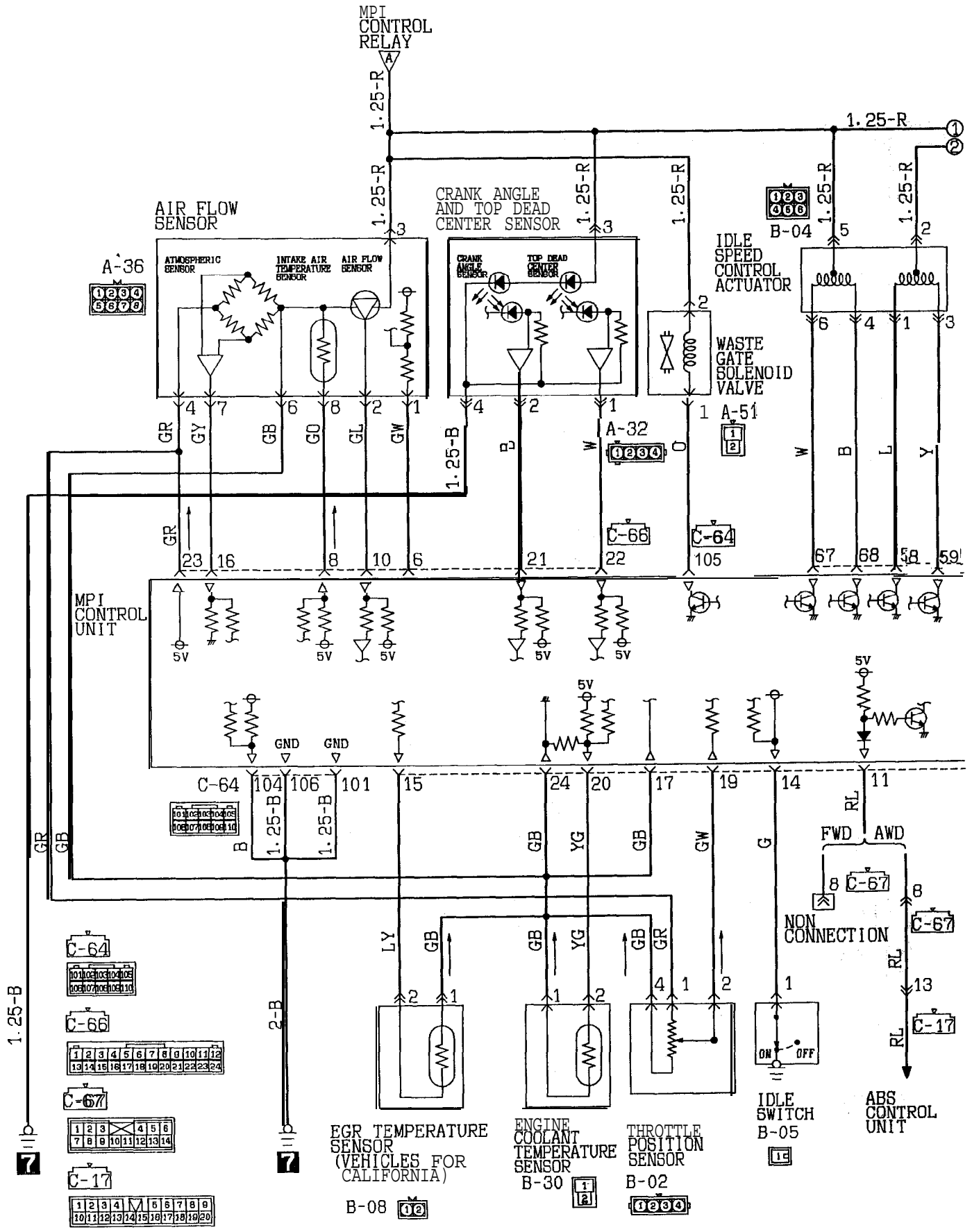
COMPONENTS LOCATION <2.0L DOHC Engine (Non-Turbo)>



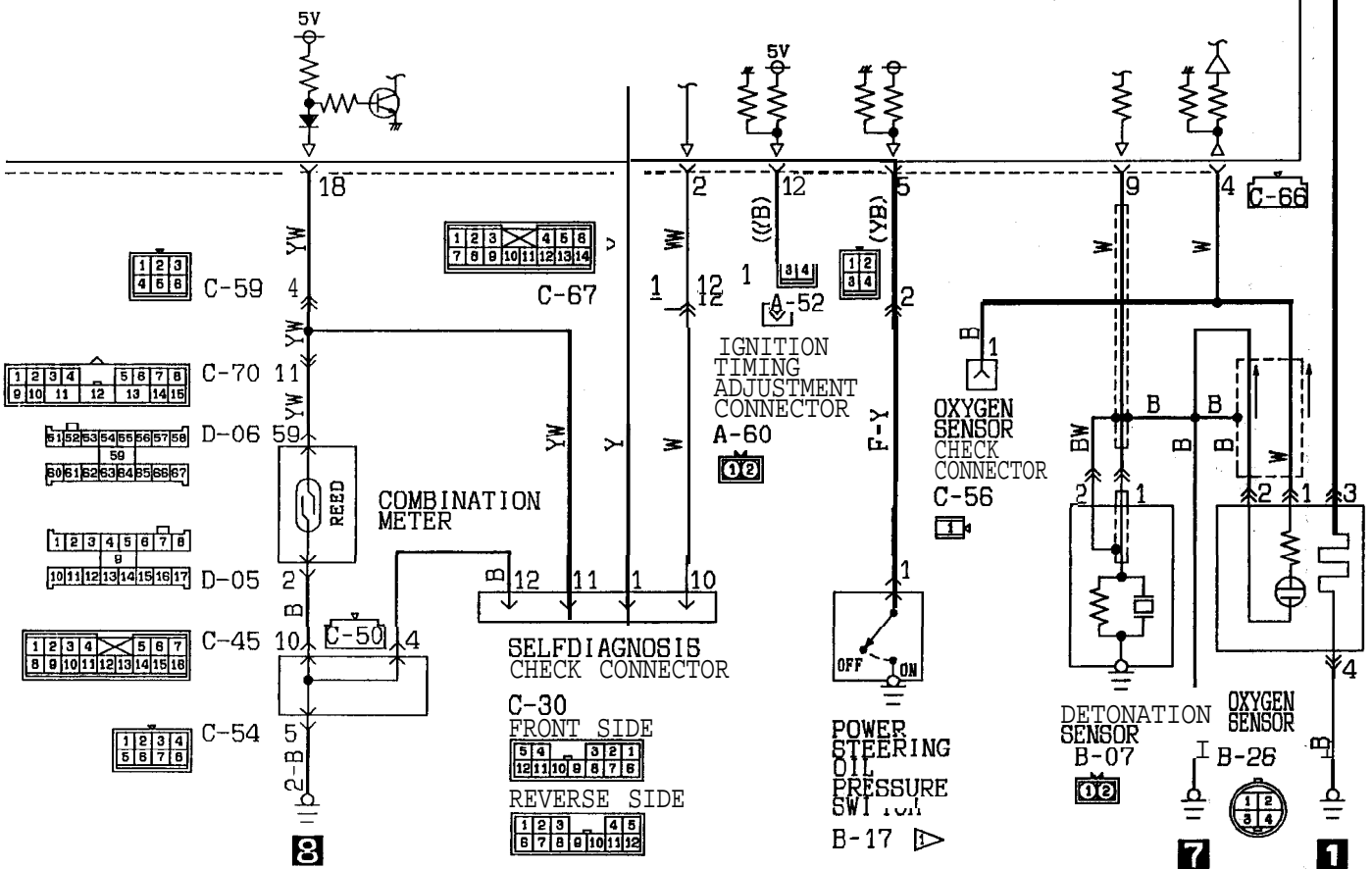
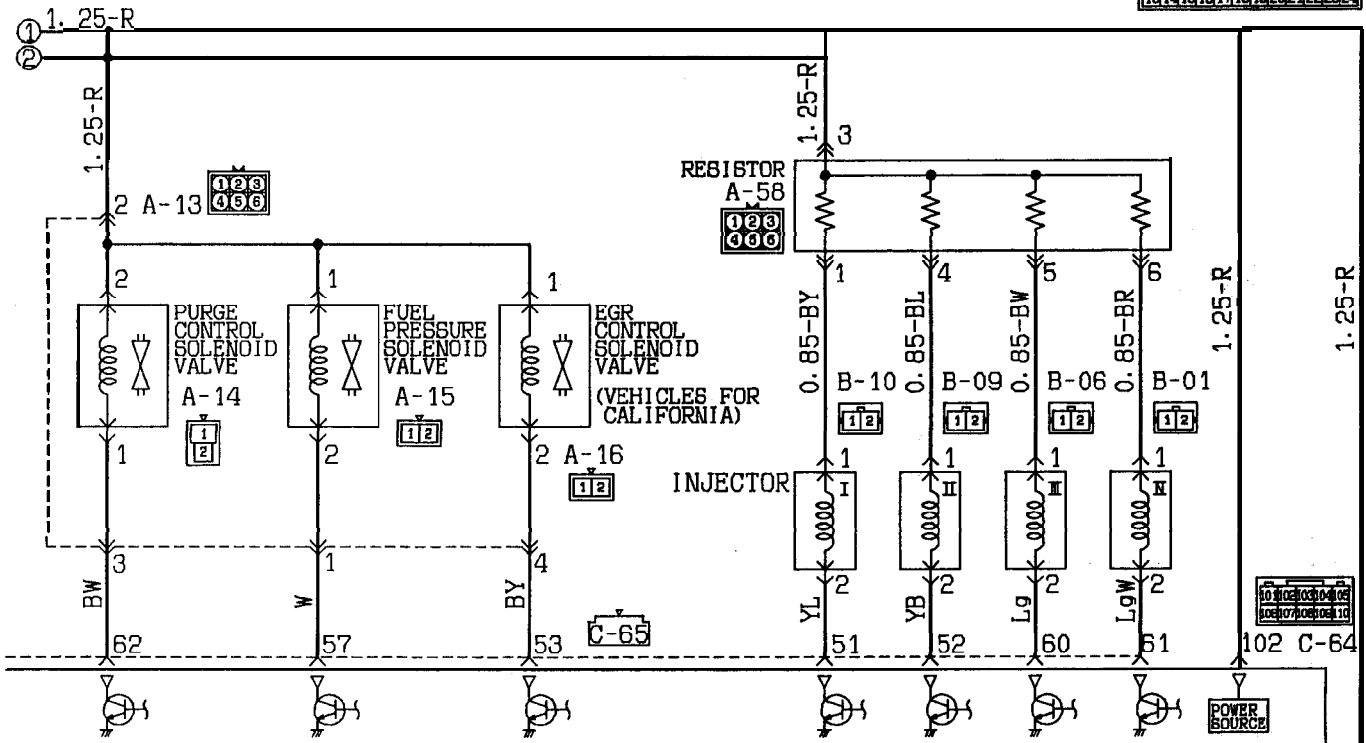
2.0L DOHC Engine (Turbo) <M/T>

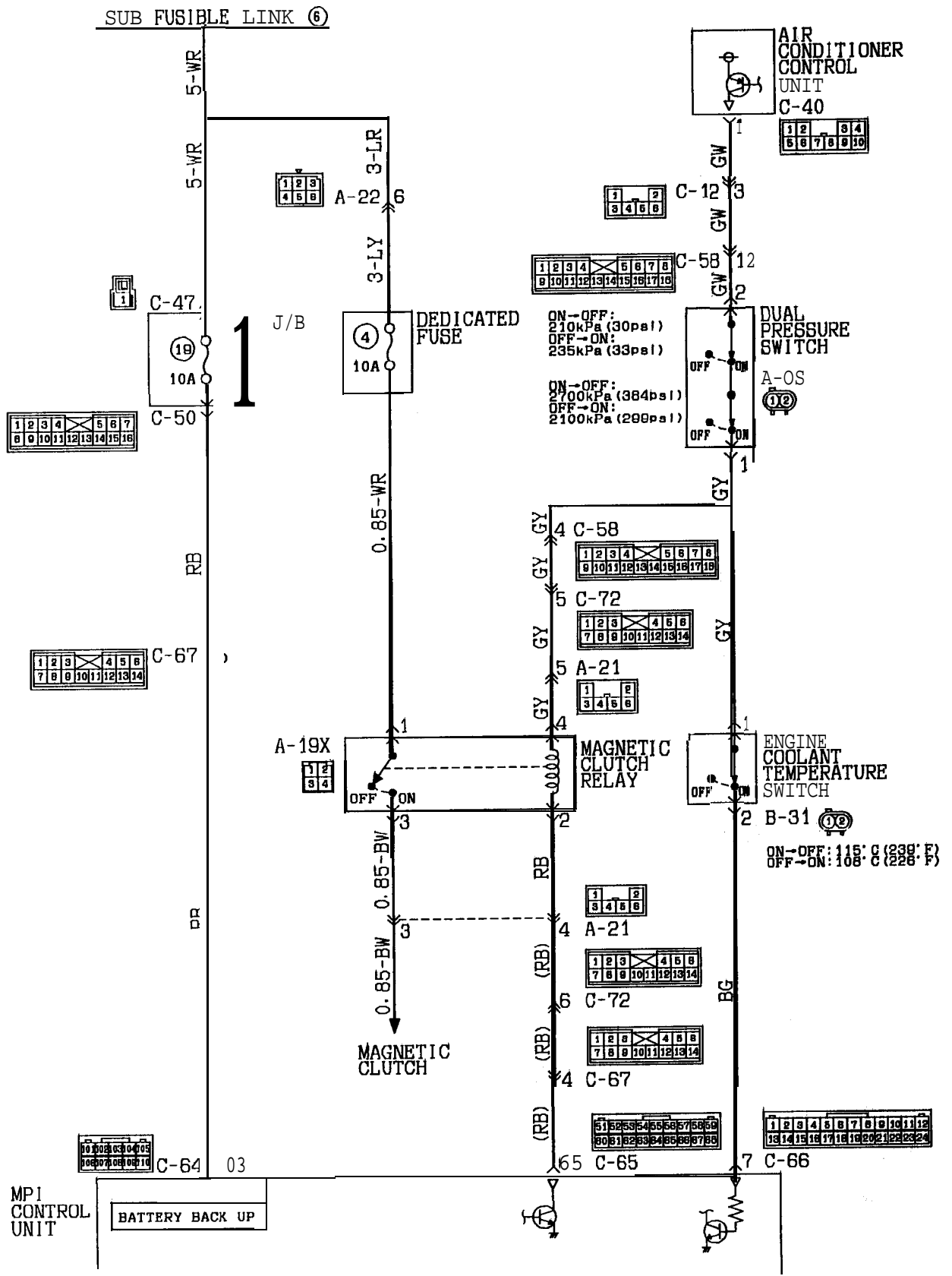




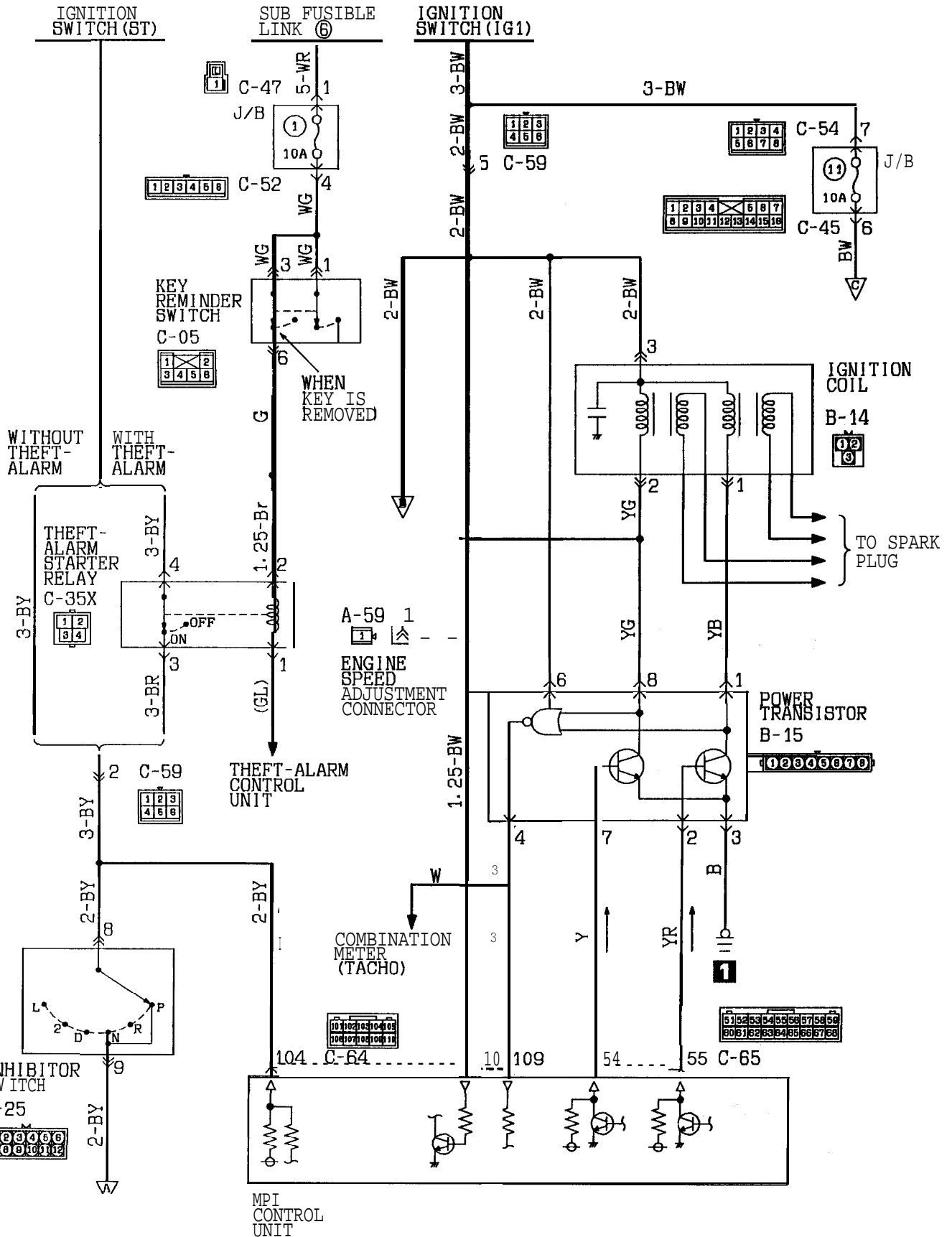


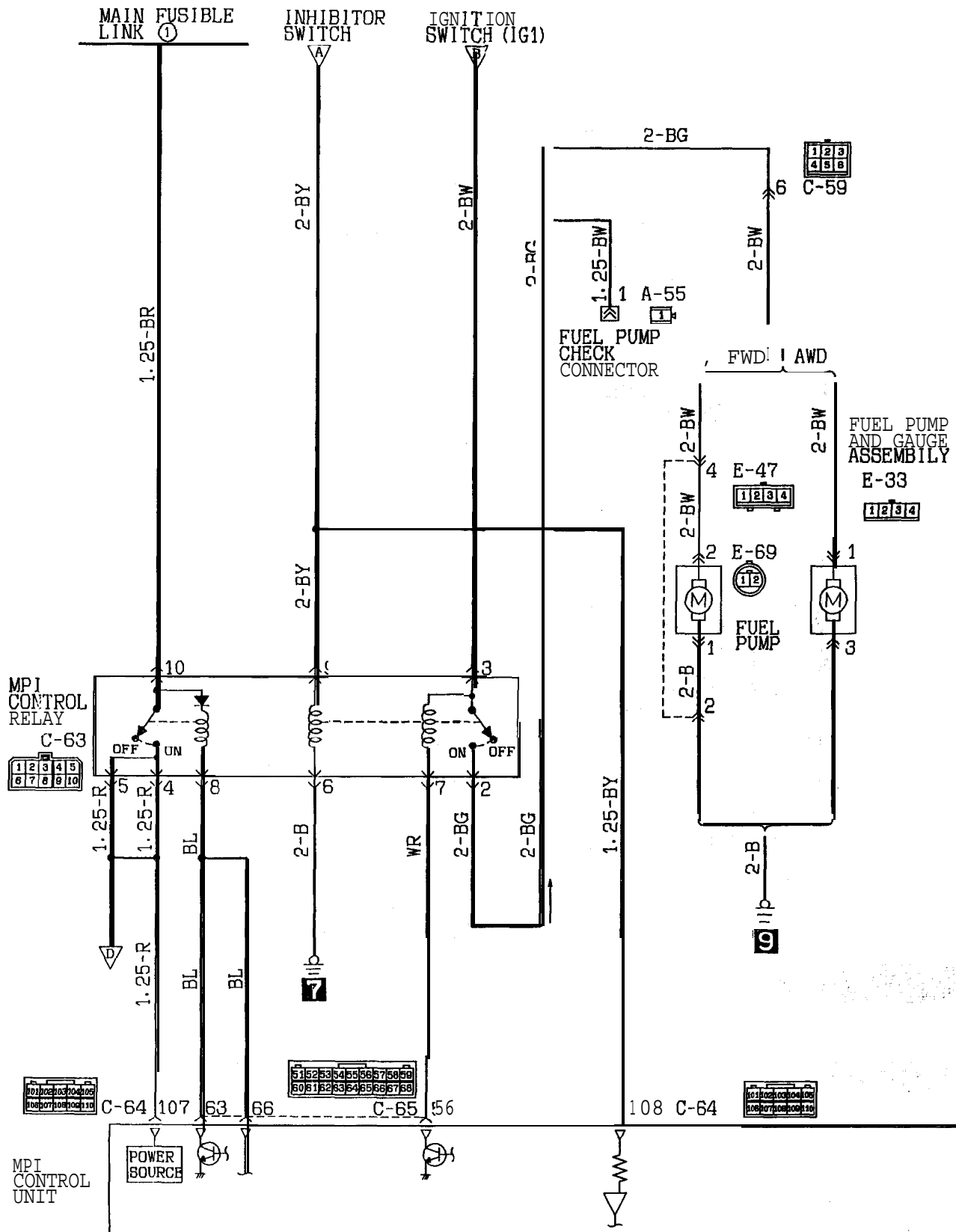


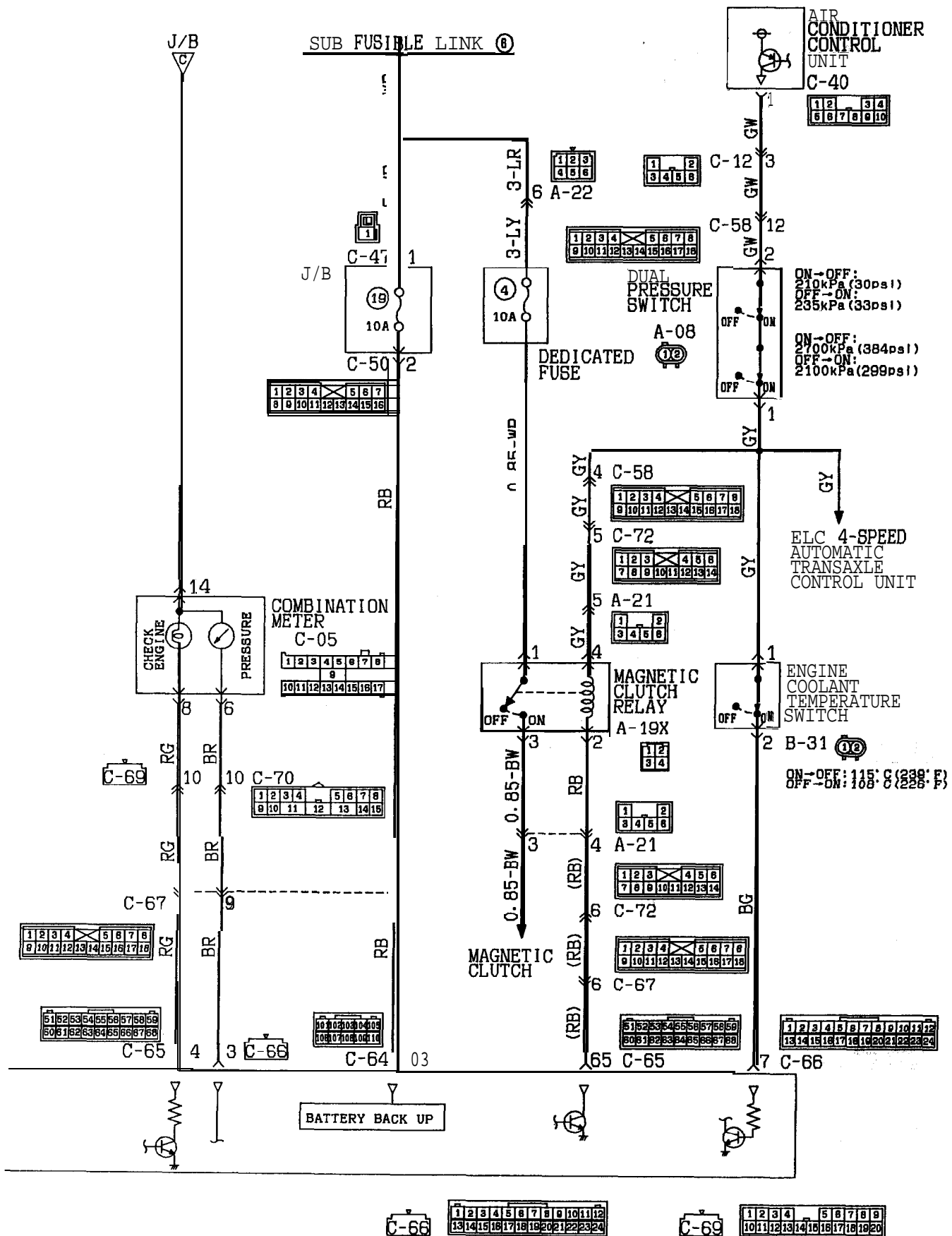


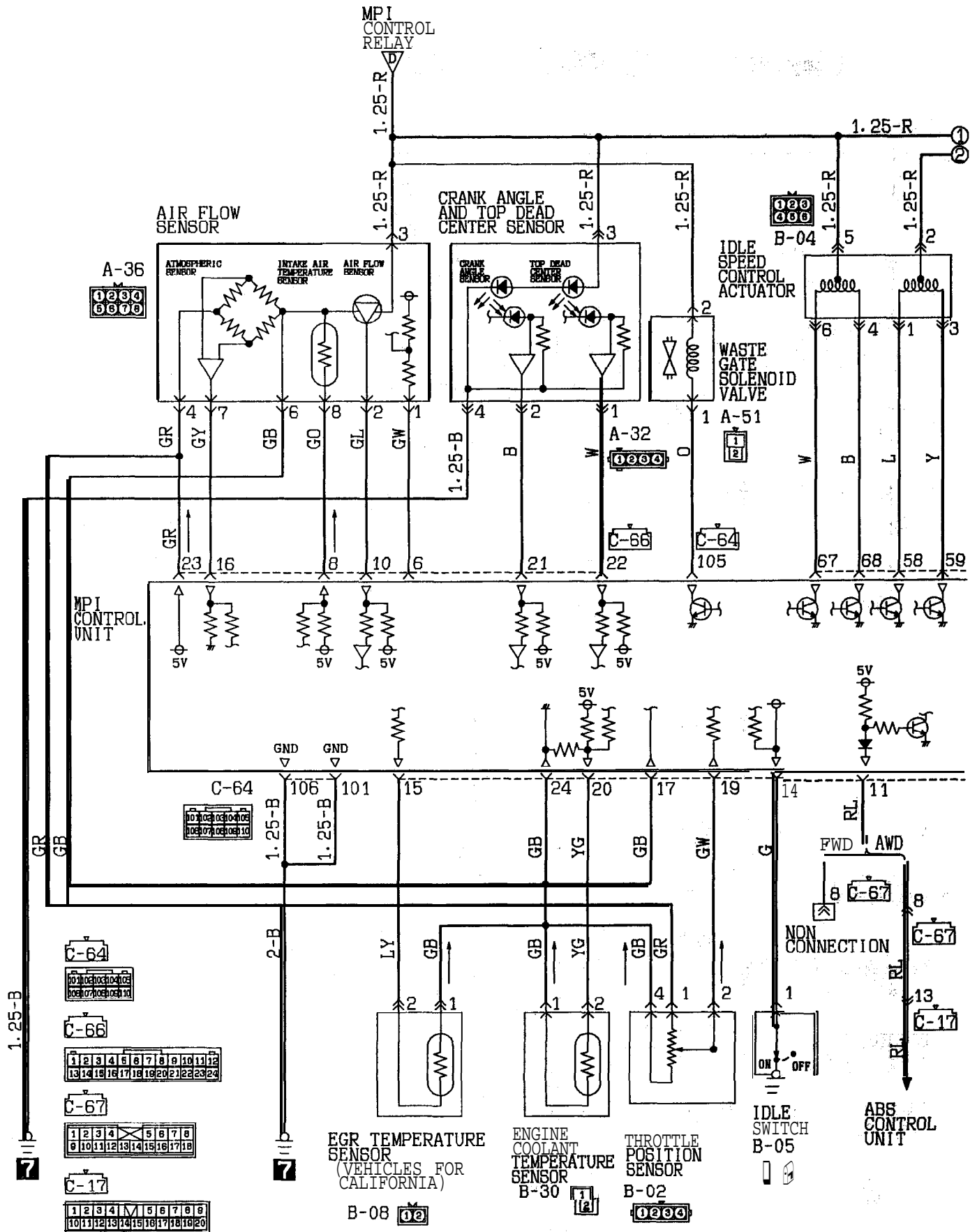


2.0L DOHC Engine (Turbo) <A/T>

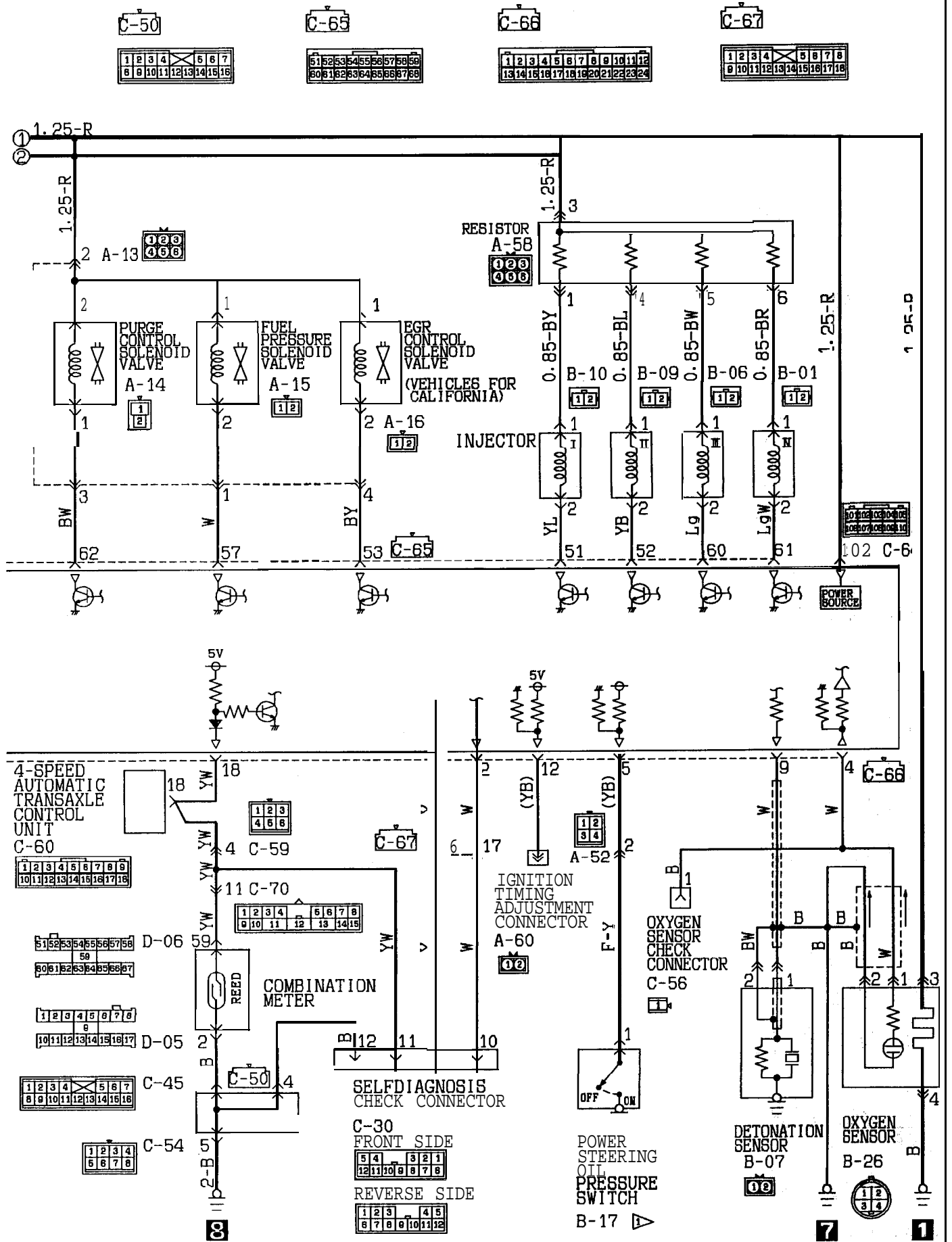






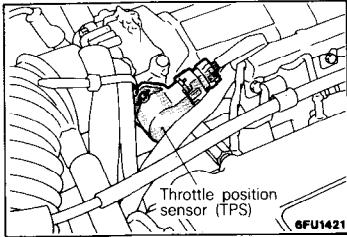


# 8-82 CIRCUIT DIAGRAMS – MPI Circuit <2.0L DOHC Engine (Turbo)-A/T>

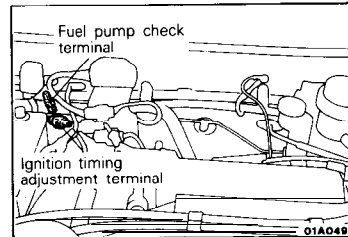


# COMPONENTS LOCATION < 2.0L DOHC Engine (Turbo)>

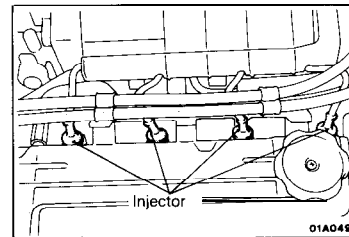
Throttle position sensor



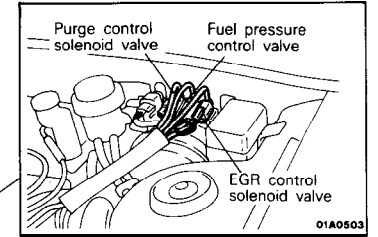
Ignition timing adjustment terminal  
Fuel pump check terminal



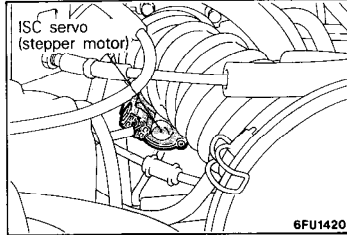
Injector



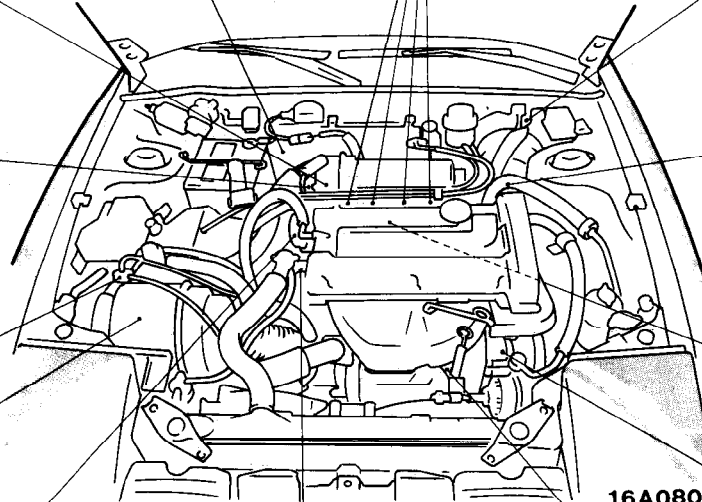
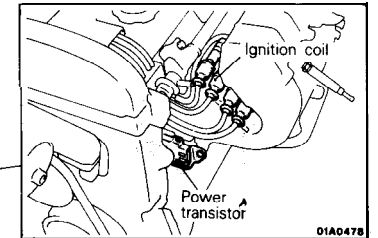
EGR control solenoid valve [Calif. only]  
Purge control solenoid valve  
Fuel pressure control valve [Turbo only]



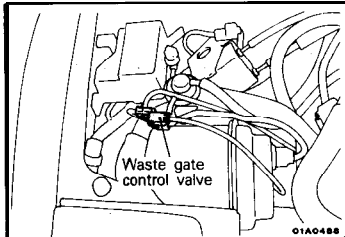
ISC servo (stepper motor)



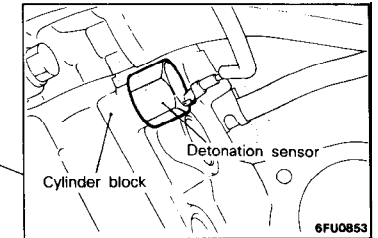
Ignition coil, Power transistor



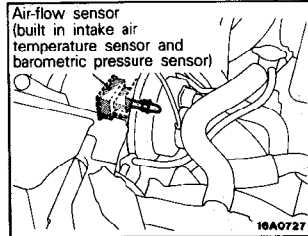
Waste gate control valve [Turbo only]



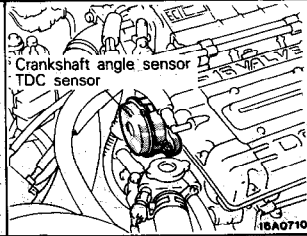
Detonation sensor



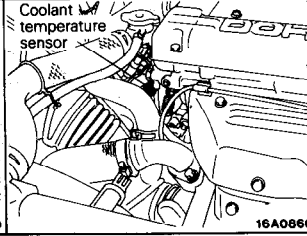
Air-flow sensor  
Intake air temperature sensor  
Barometric pressure sensor



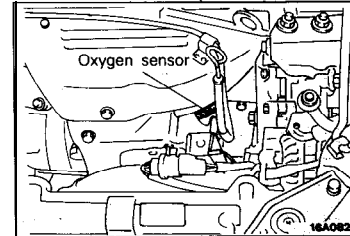
Crankshaft angle sensor  
TDC sensor



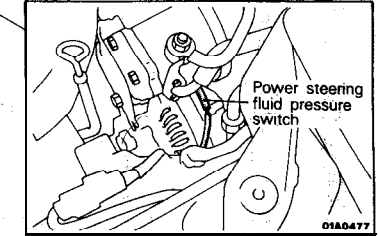
Coolant temperature sensor



Oxygen sensor



Power steering fluid pressure switch



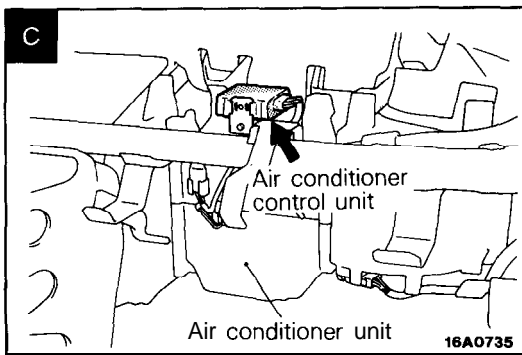
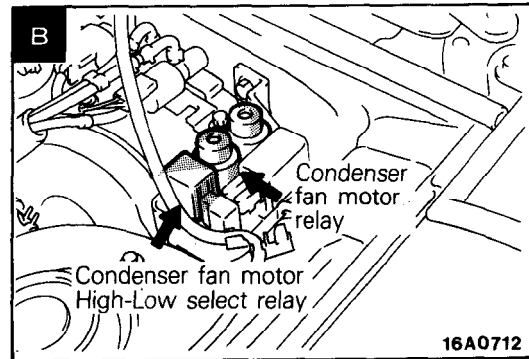
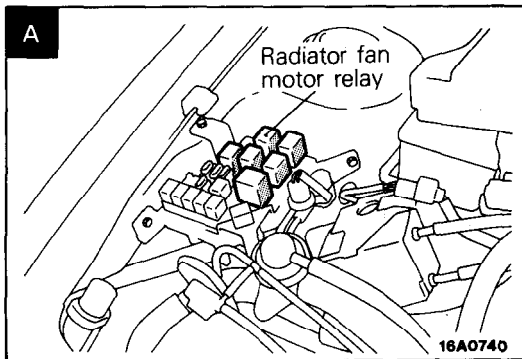
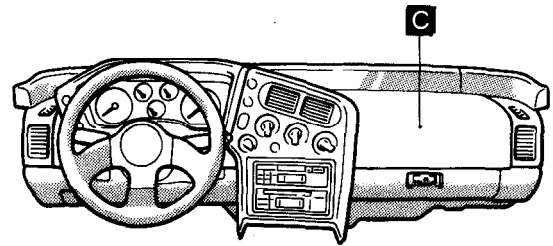
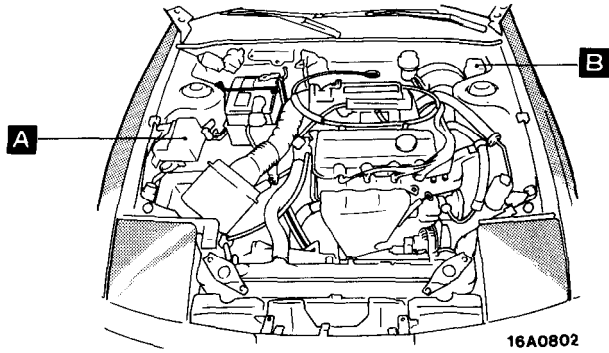




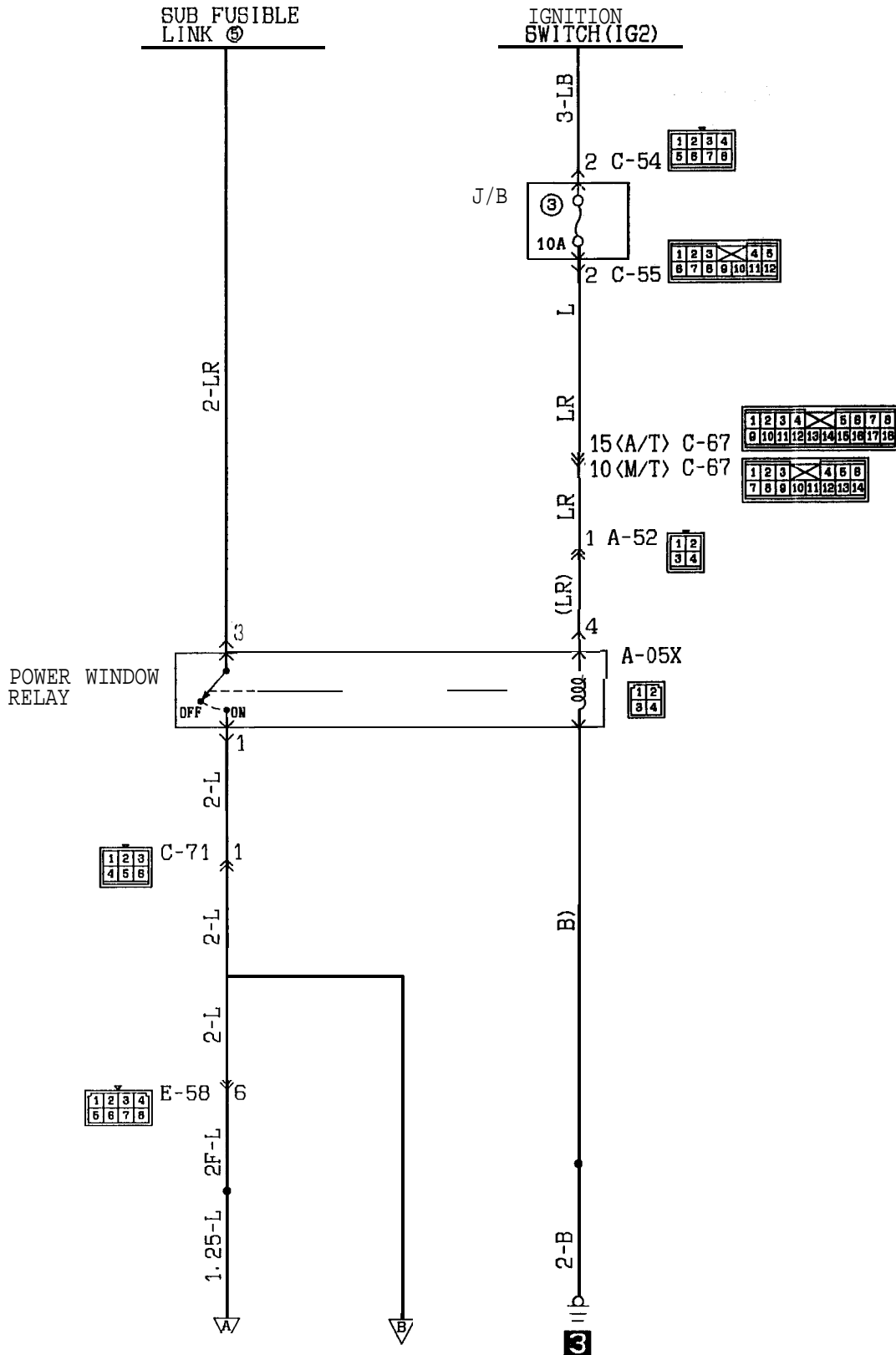
COMPONENTS LOCATION

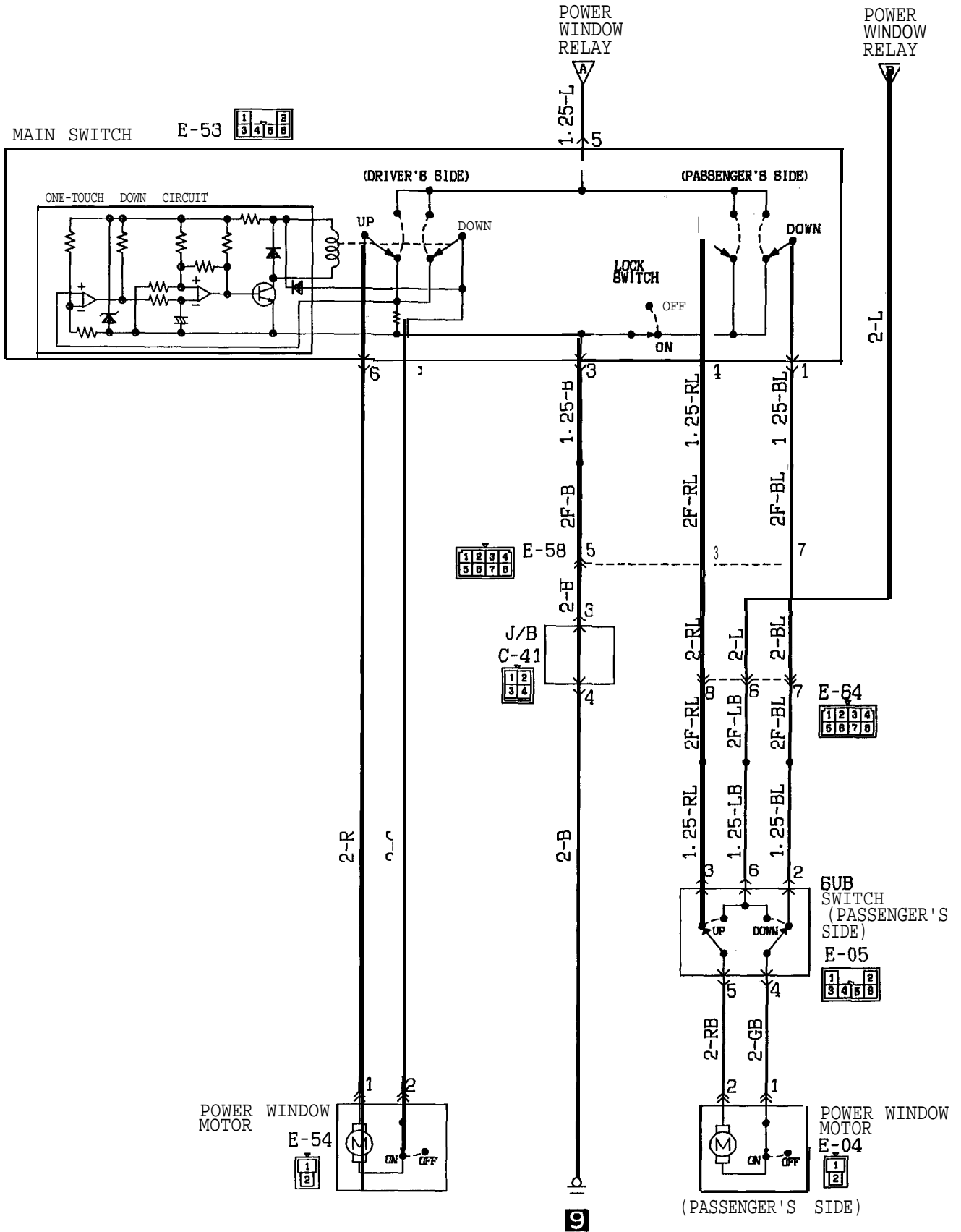
Name	Symbol	Name	Symbol
Air conditioner control unit	C	Condenser fan motor relay	B
Condenser fan motor High-Low select relay	B	Radiator fan motor relay	A

NOTE  
The "Name" column is arranged in alphabetical order.



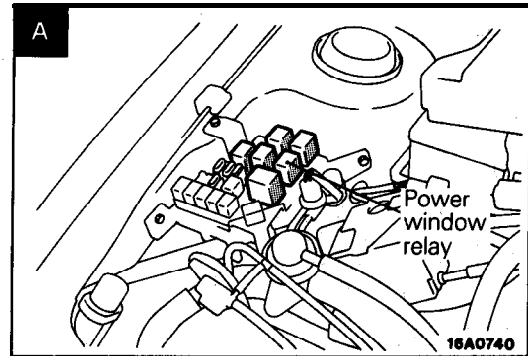
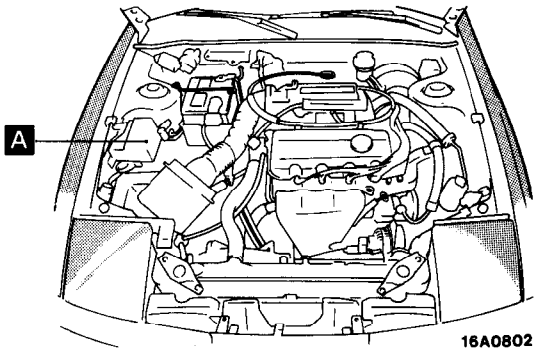
POWER WINDOW CIRCUIT



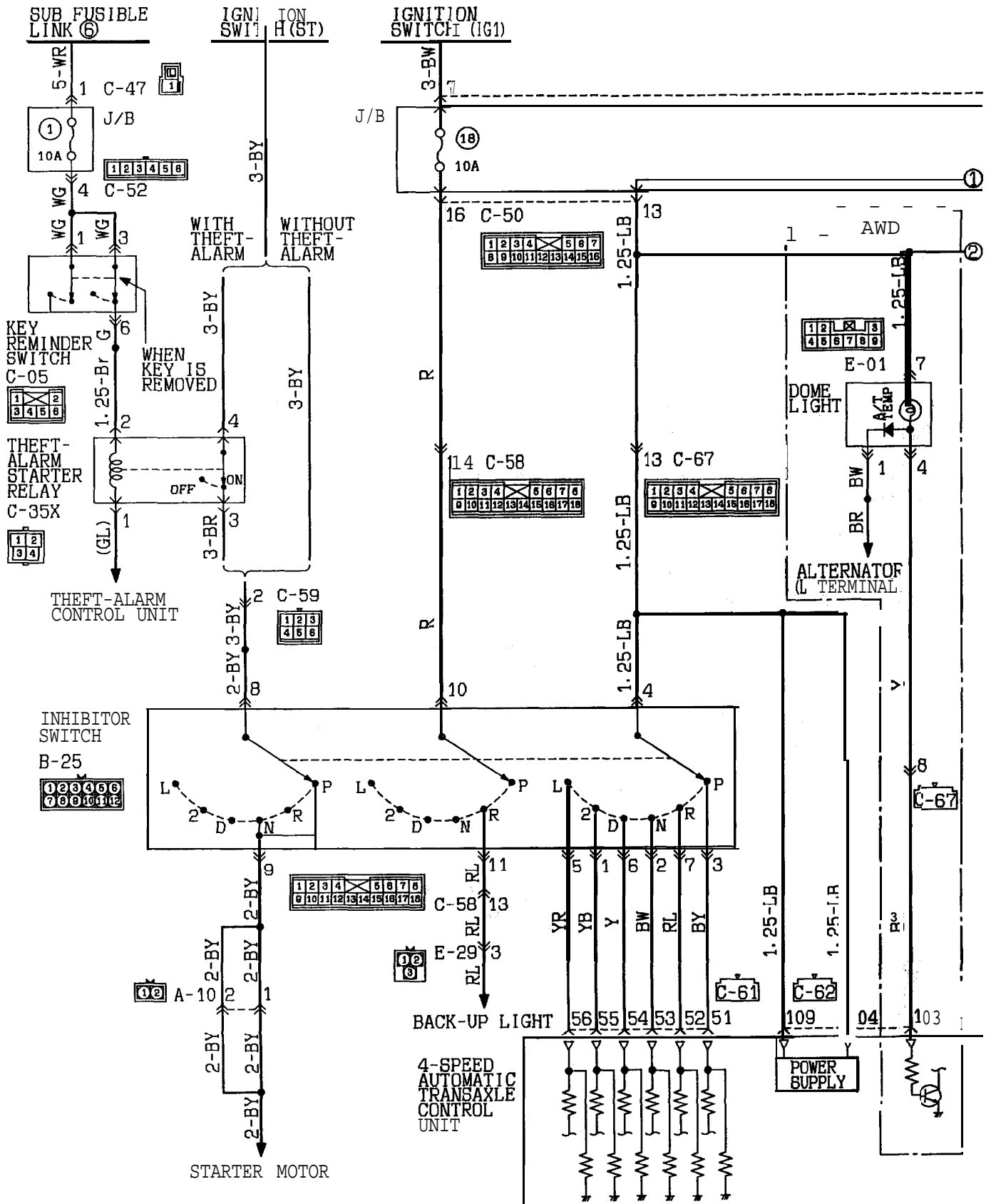


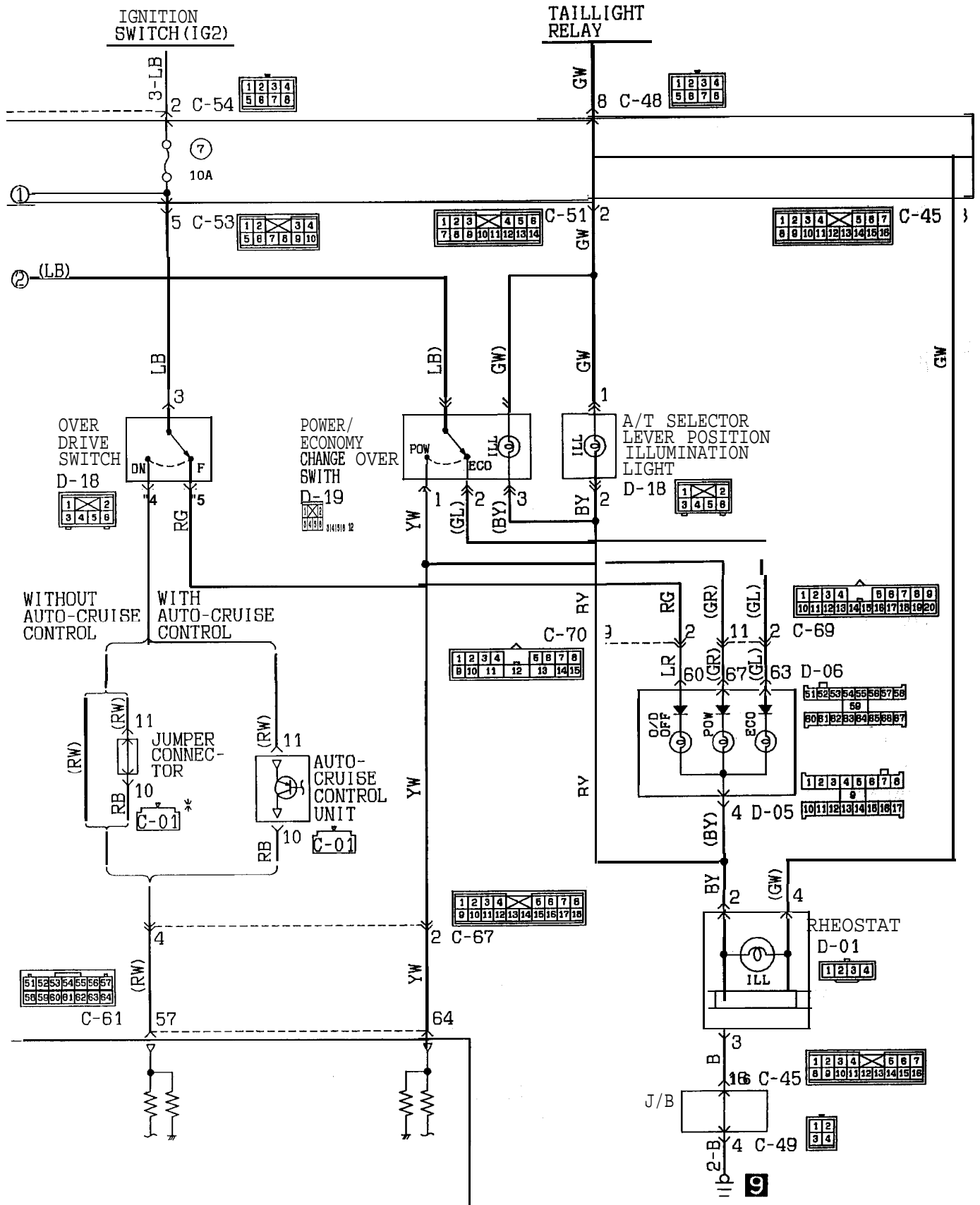
COMPONENTS LOCATION

Name	Symbol
Power window relay	A

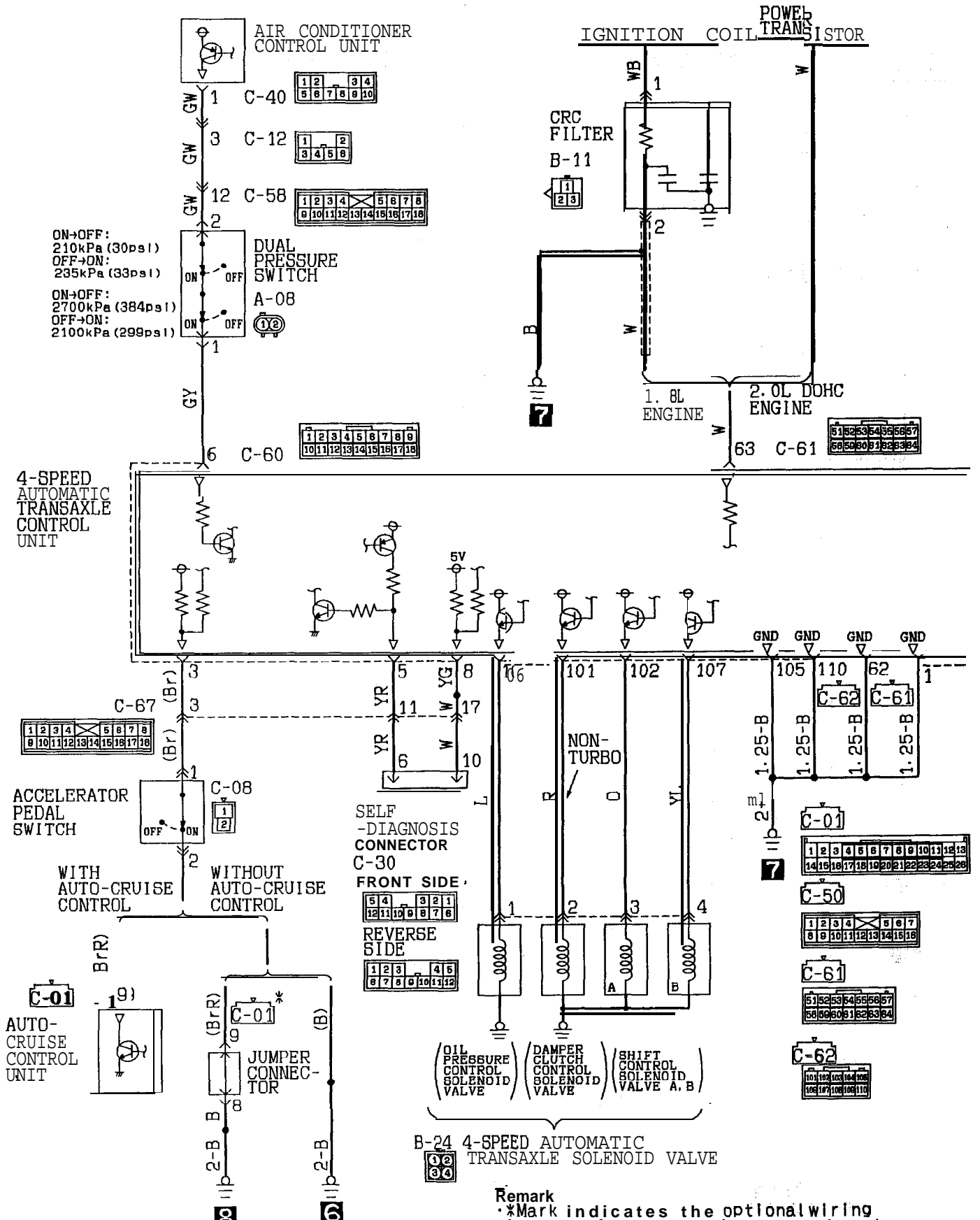


ELC-4-SPEED AUTOMATIC TRANSAXLE CIRCUIT

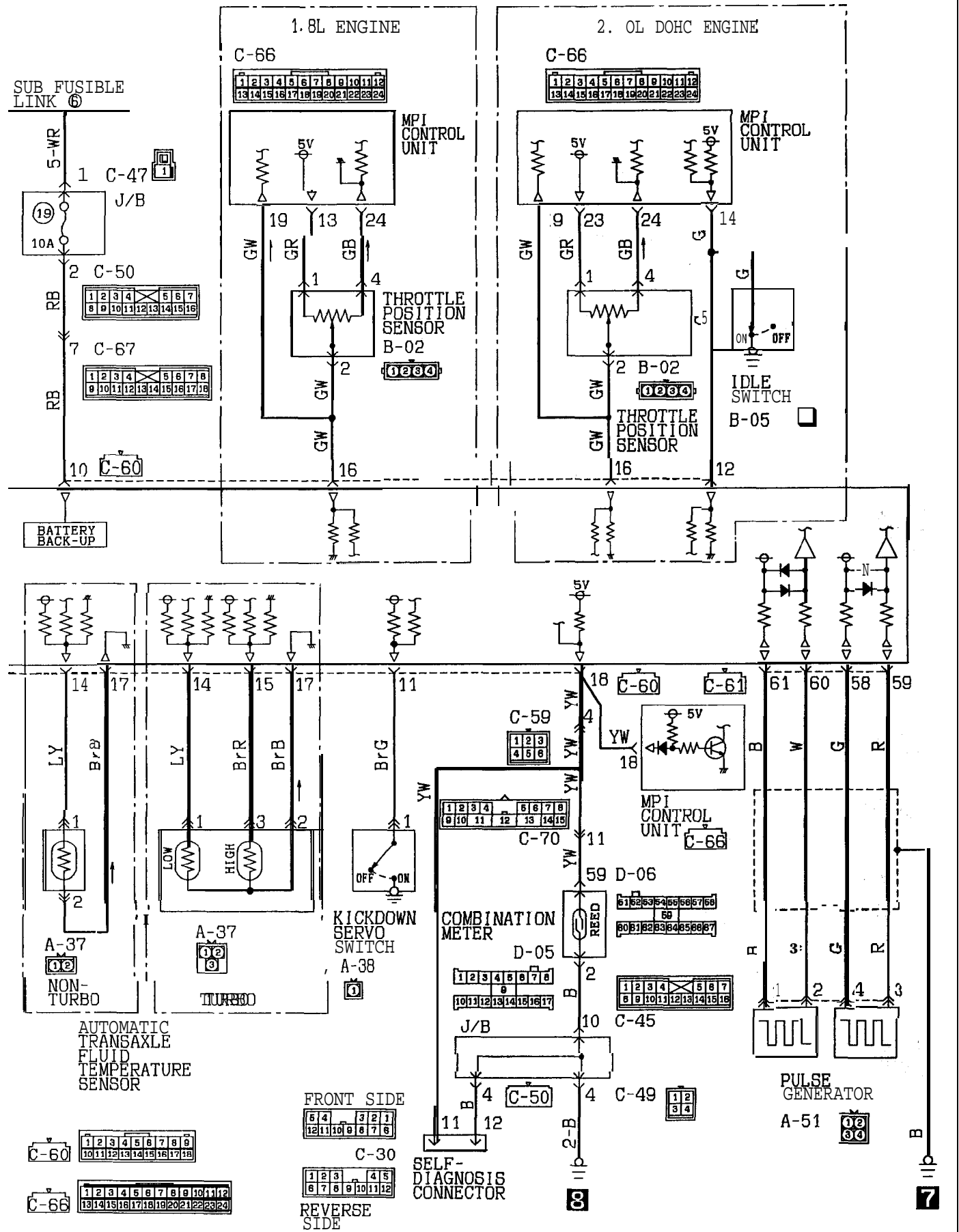




Remark  
 \*Mark indicates the optional wiring harness for auto-cruise control system.








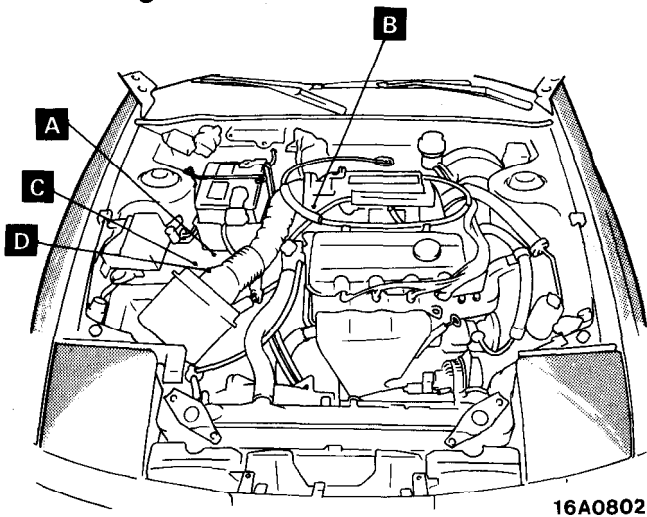
COMPONENTS LOCATION

Name	Symbol	Name	Symbol
Diagnosis connector	F	Pulse generator B	A
Engine control unit	I	Solenoid valves	C
Oil temperature sensor	D	Throttle position sensor	B
Power (PWR)/Economy (ECO) select switch	G	Transaxle control unit	H
Pulse generator A	A	Vehicle-speed sensor	E

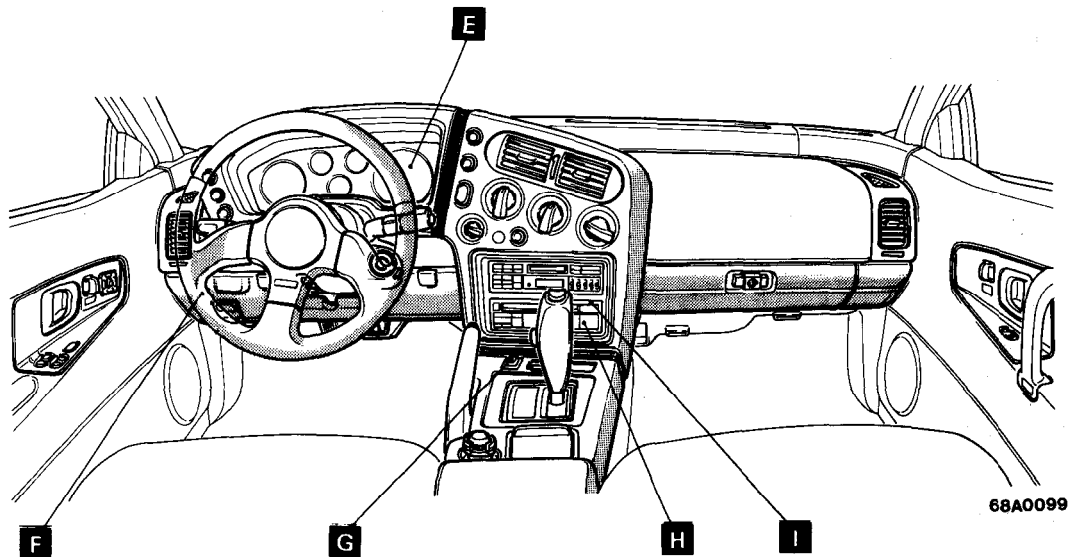
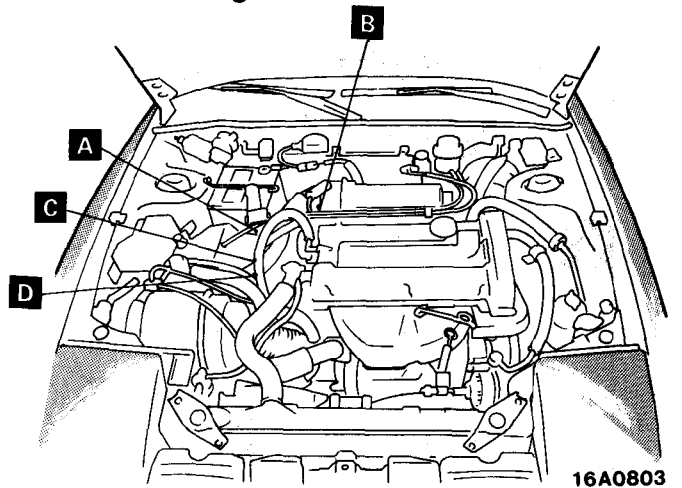
NOTE

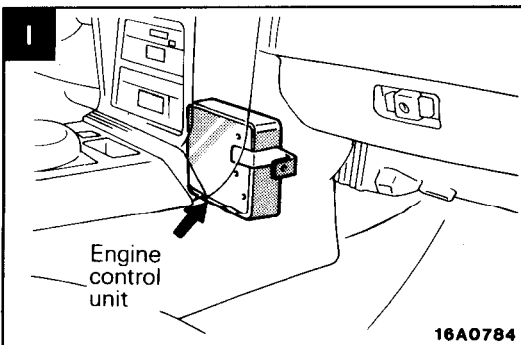
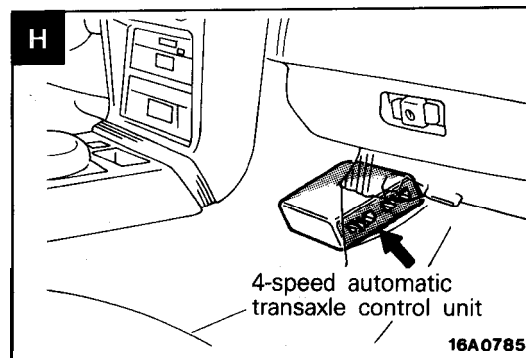
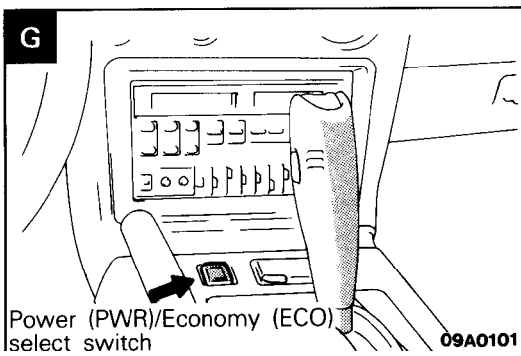
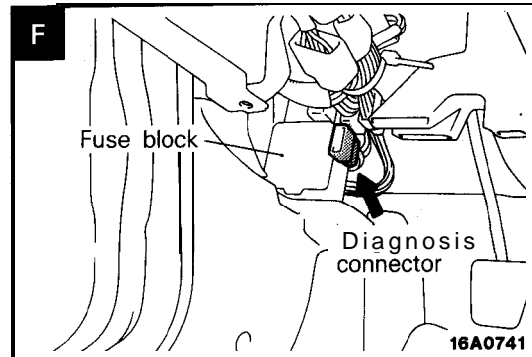
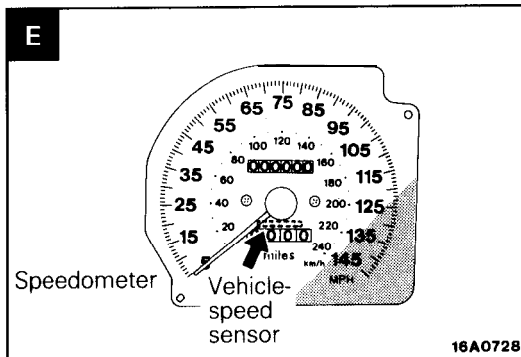
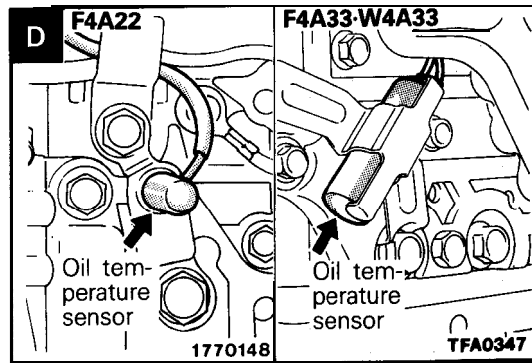
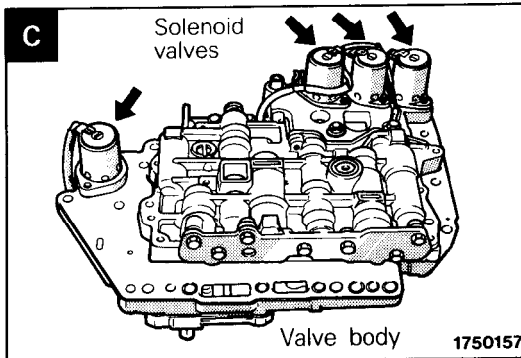
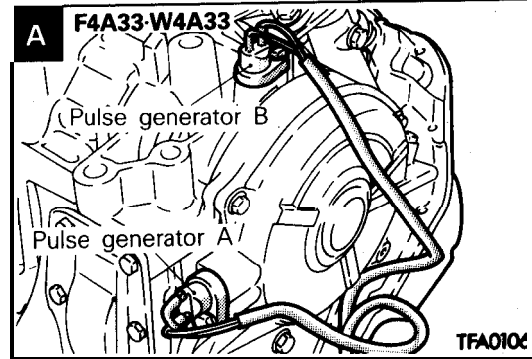
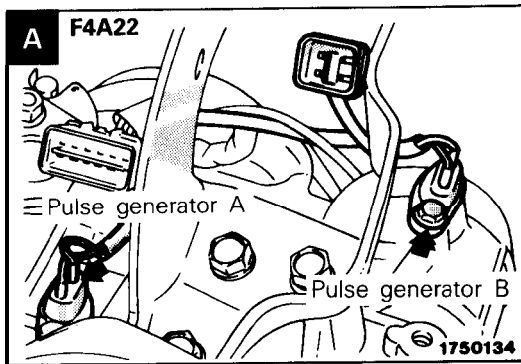
1. The "Name" column is arranged in alphabetical order.
2. Refer to GROUP 14–On vehicle inspection of MPI components for installation position of  throttle position sensor.

1.8L Engine



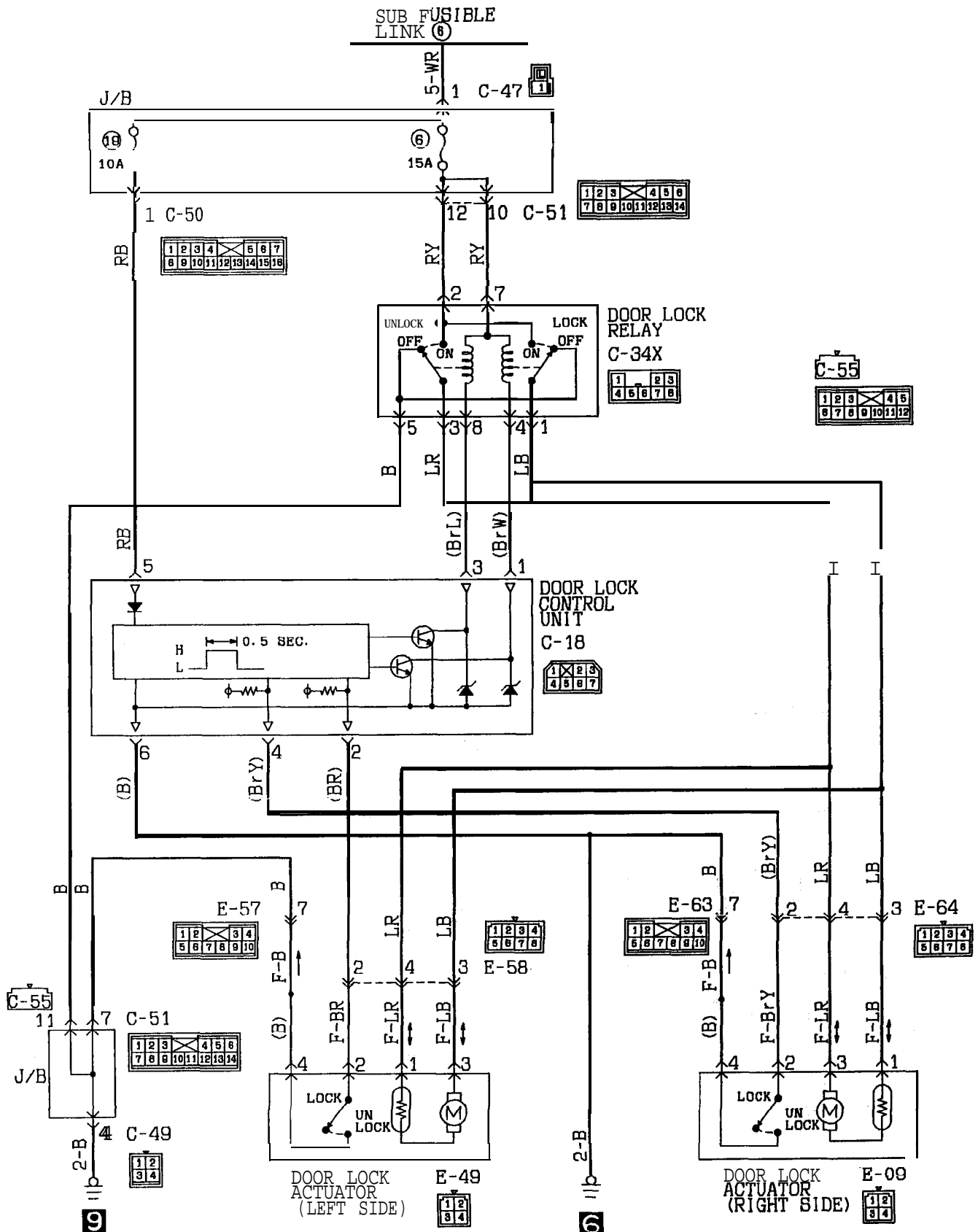
2.0L DOHC Engine



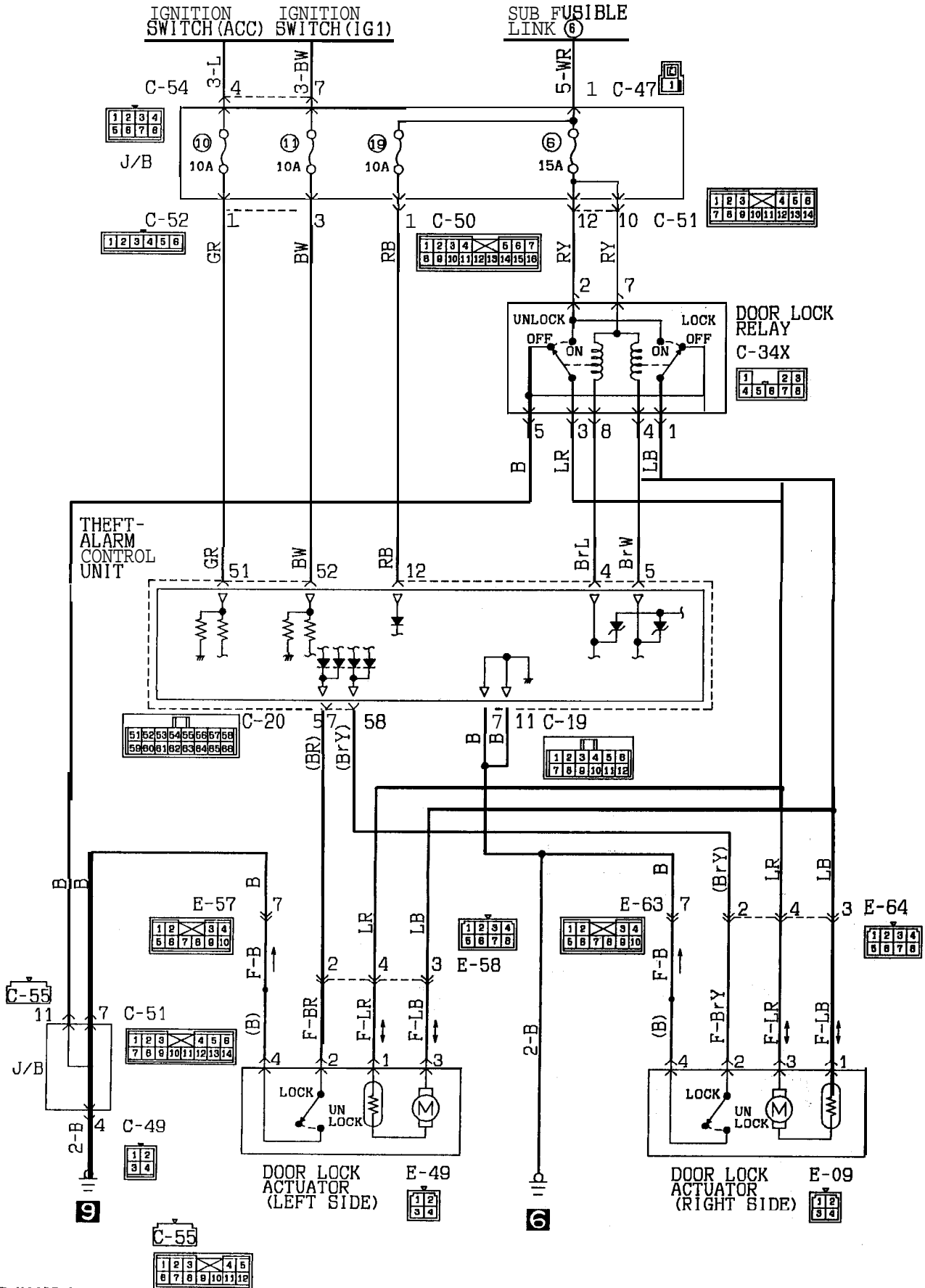


**CENTRAL DOOR LOCKING CIRCUIT**

Vehicles without theft-alarm system

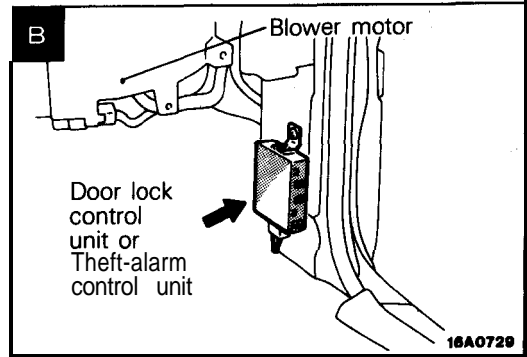
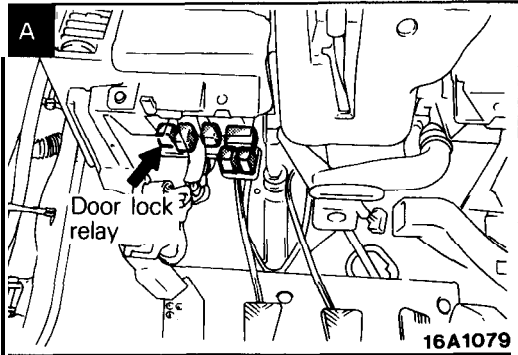
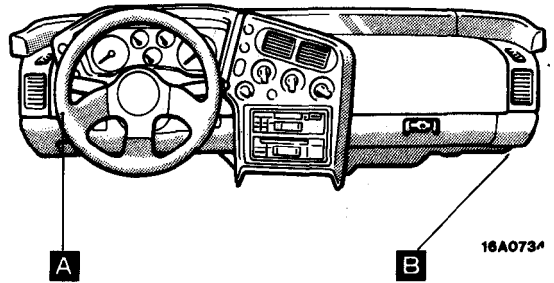


Vehicles with theft-alarm system

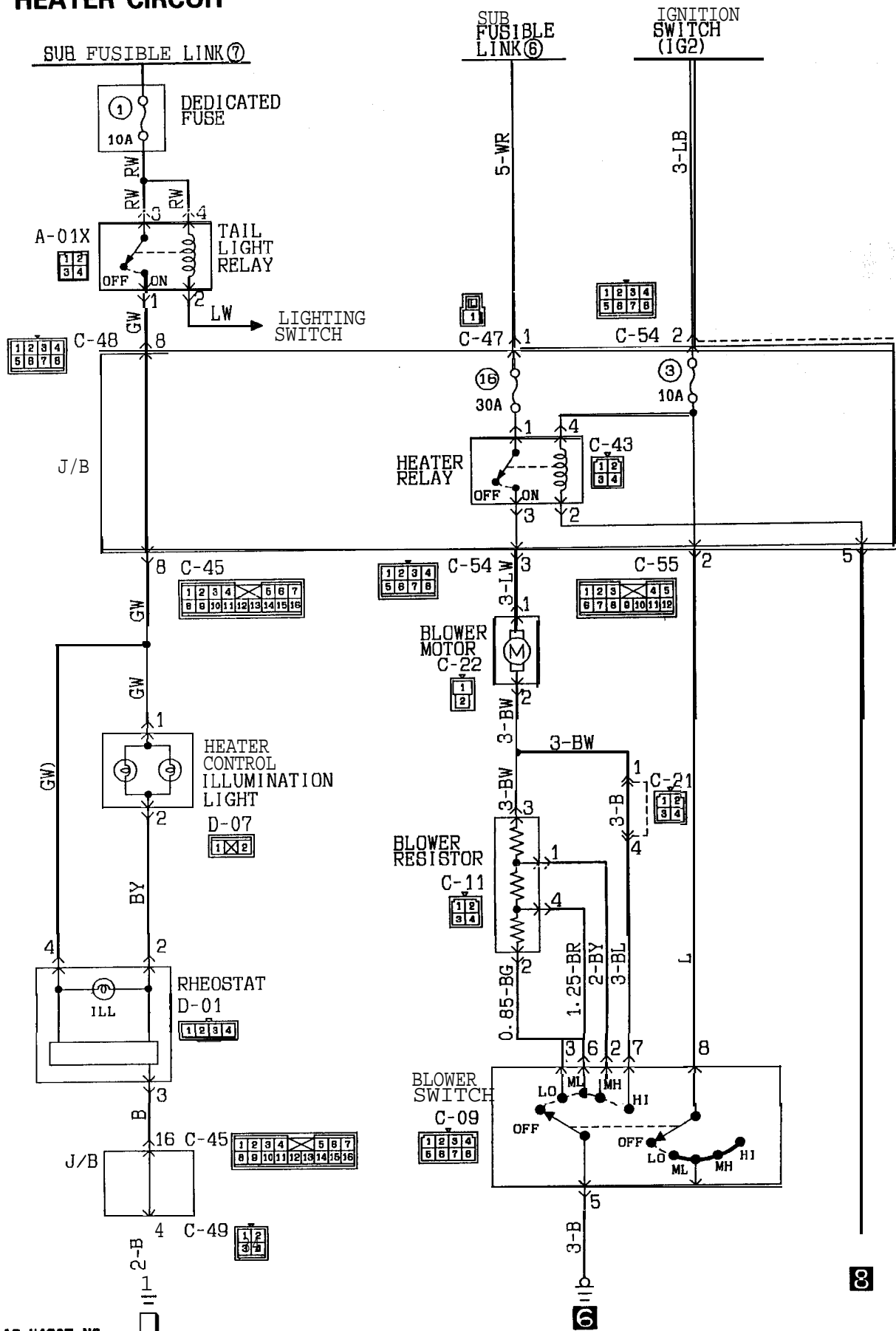


COMPONENTS LOCATIONS

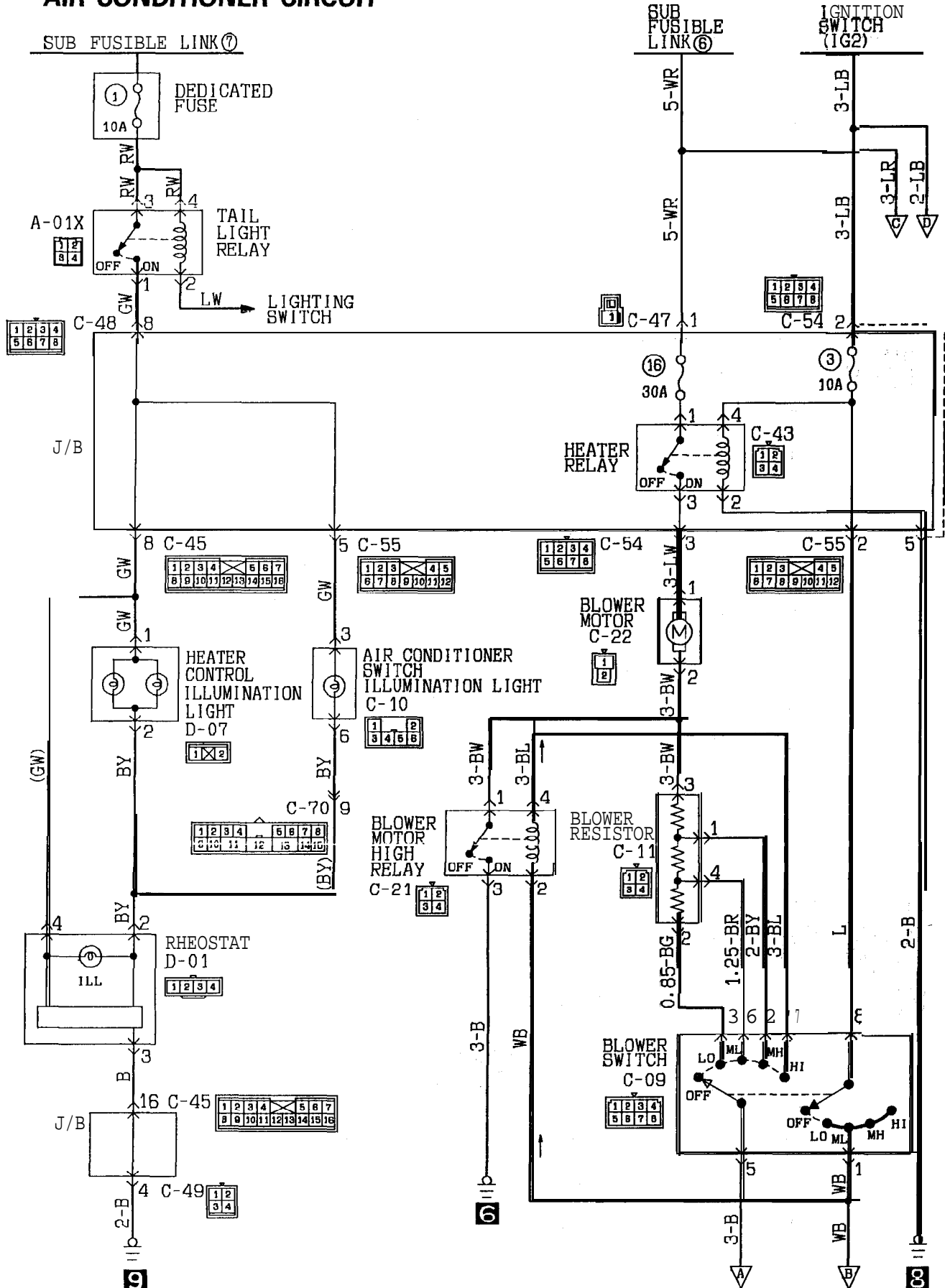
Name	Symbol
Door lock control unit	B
Door lock relay	A
Theft-alarm control unit	B



HEATER CIRCUIT

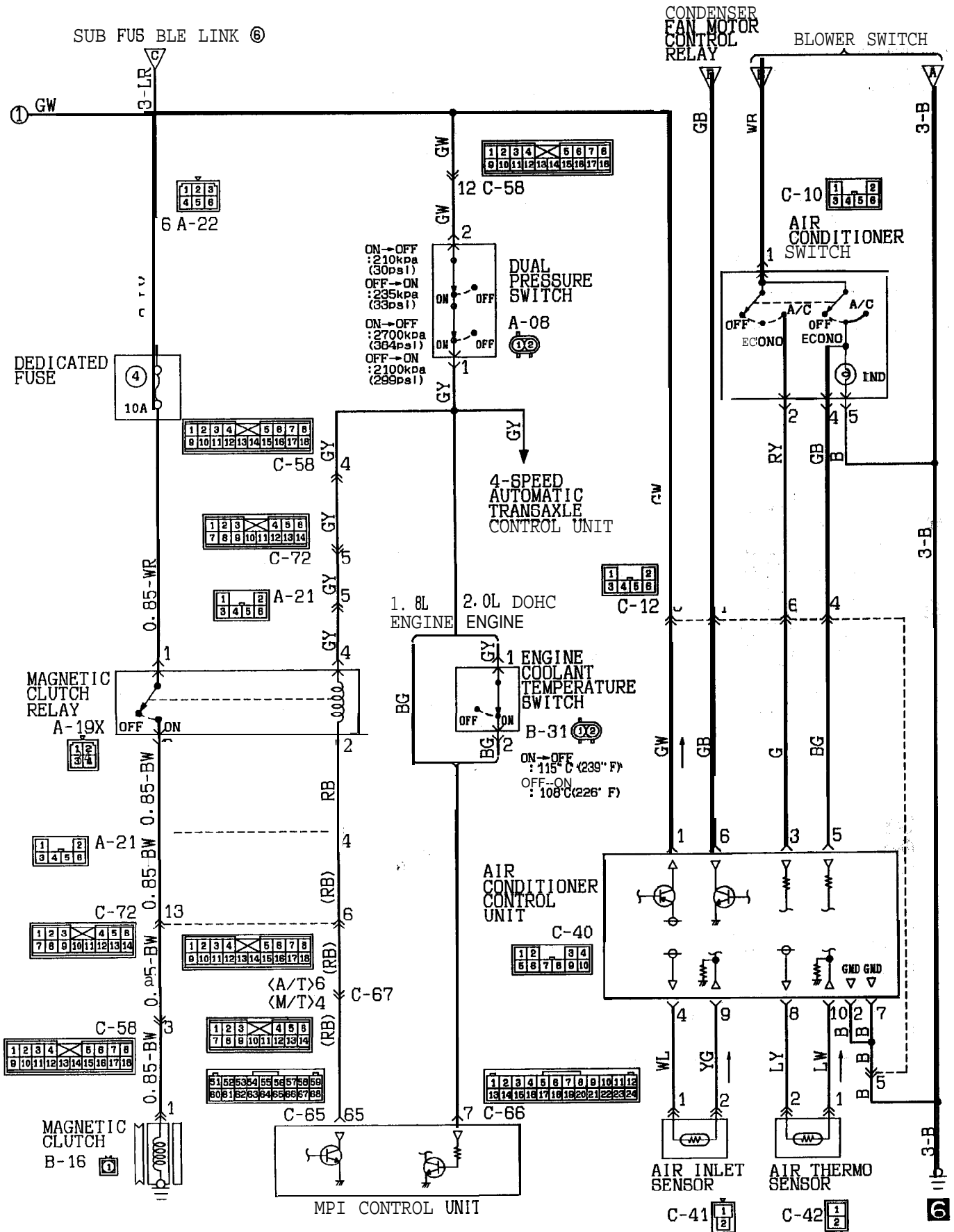


**AIR CONDITIONER CIRCUIT**





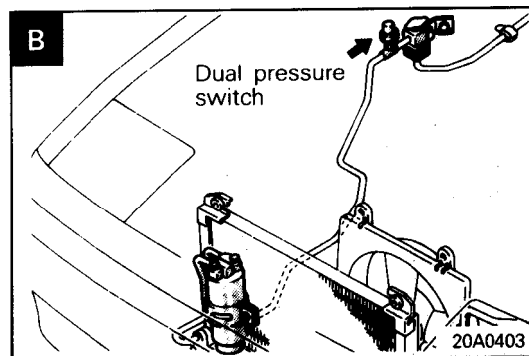
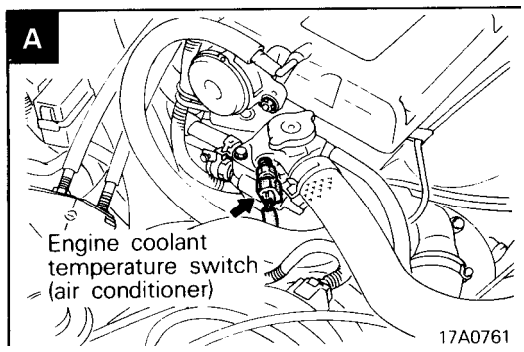
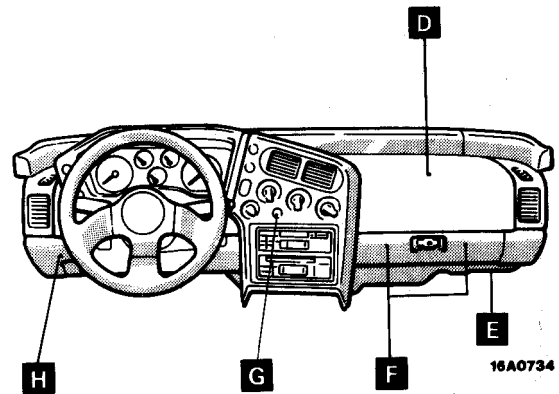
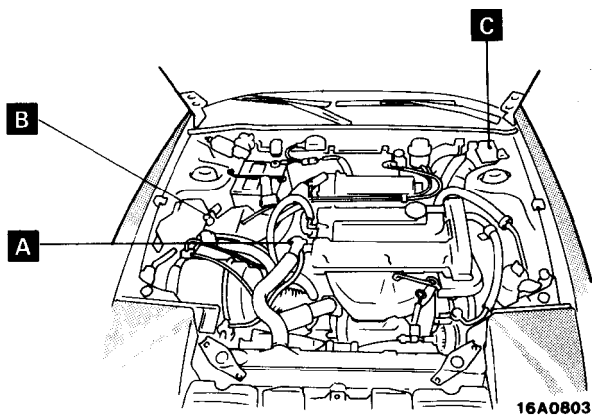


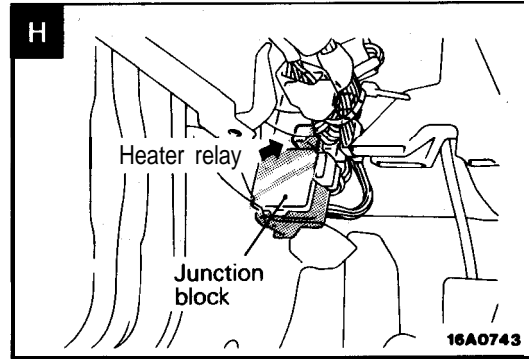
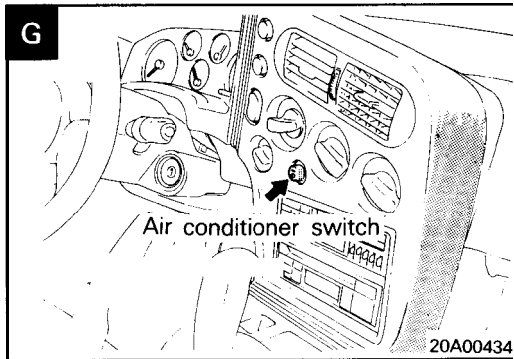
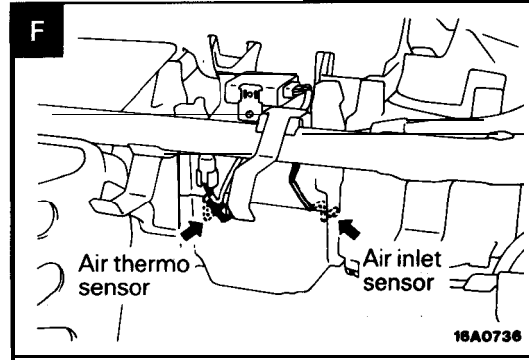
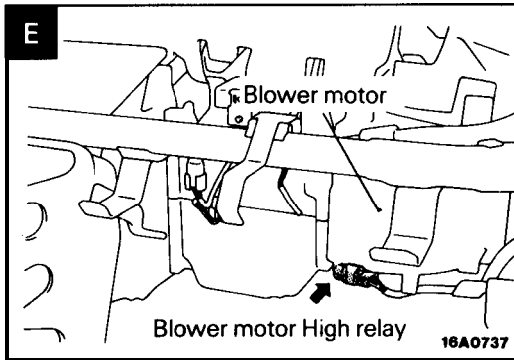
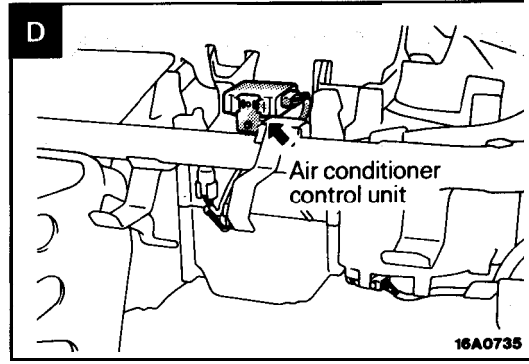
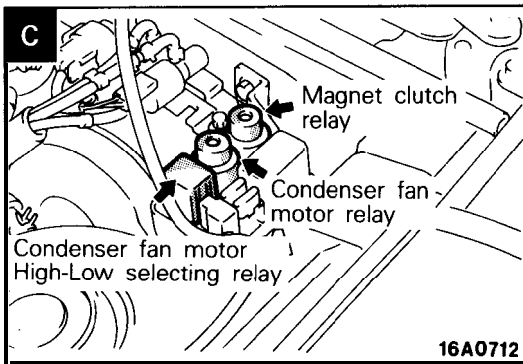


COMPONENTS LOCATION

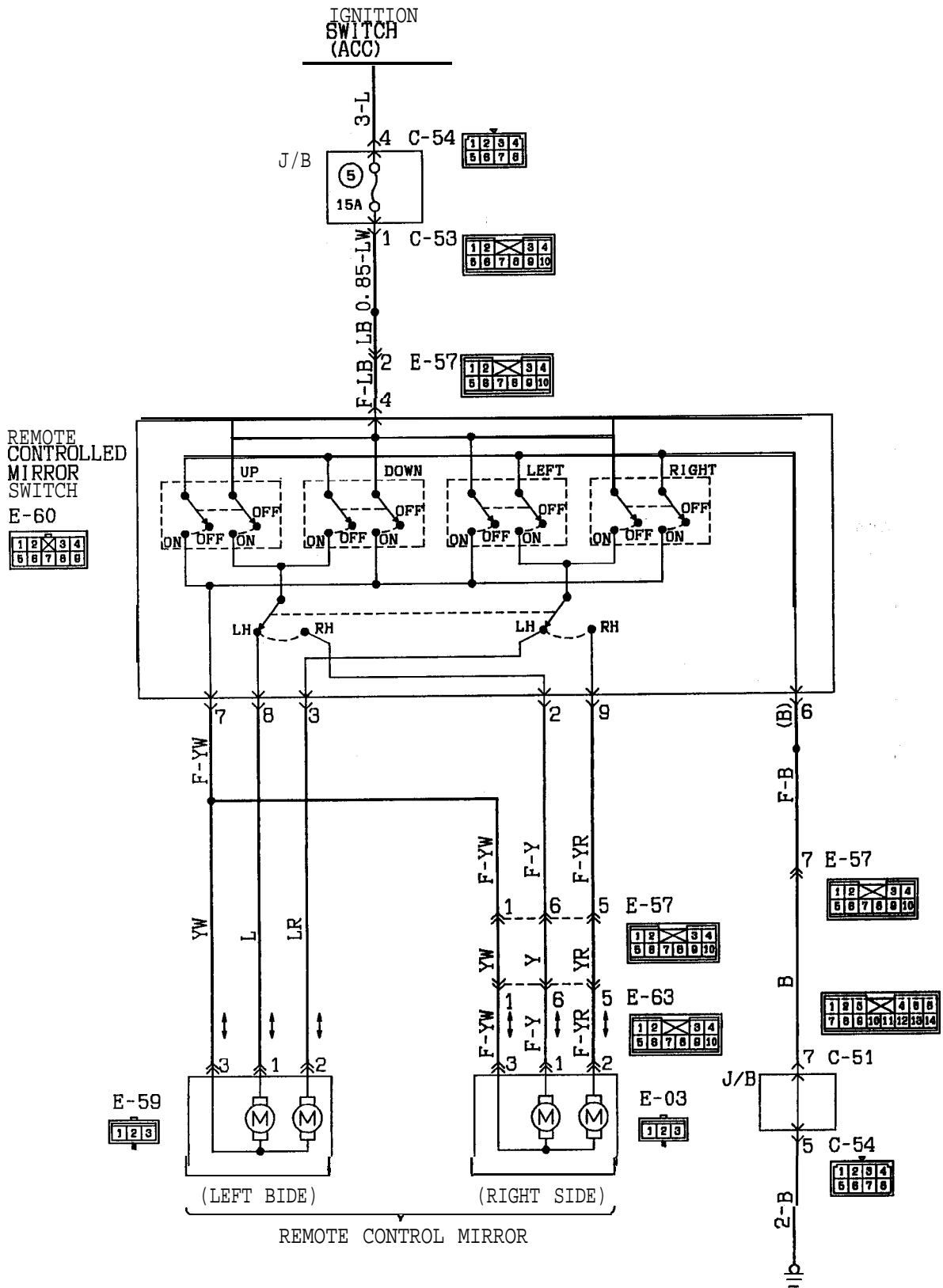
Name	Symbol	Name	Symbol
Air conditioner control unit	D	Condenser fan motor relay	C
Air conditioner switch	G	Dual pressure switch	B
Air inlet sensor	F	Engine coolant temperature switch <2.0L DOHC Engine>	A
Air thermo sensor	F	Heater relay	H
Blower motor High relay	E	Magnet clutch relay	C
Condenser fan motor High-Low selecting relay	C	—	—

NOTE  
The "Name" column is arranged in alphabetical order.

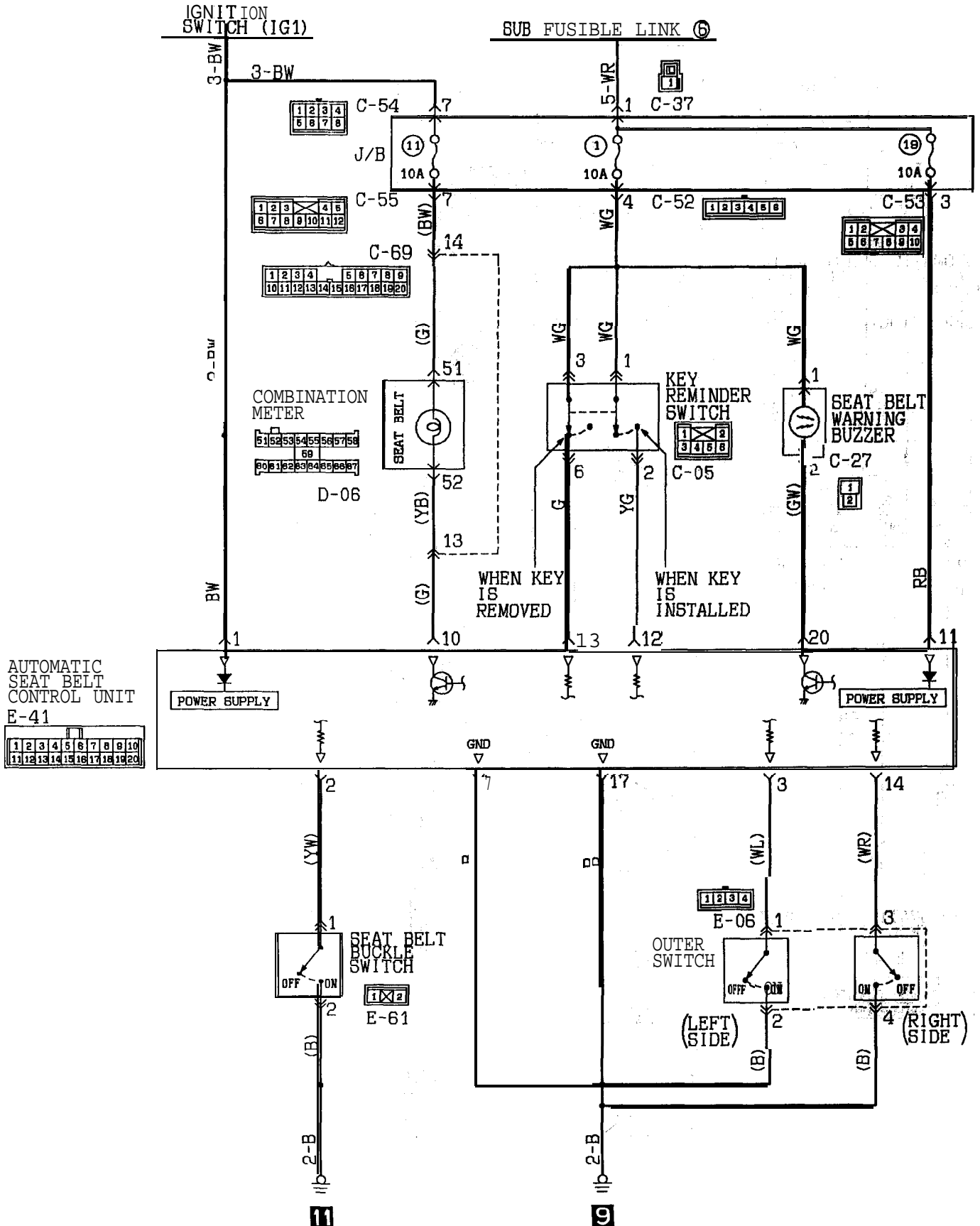


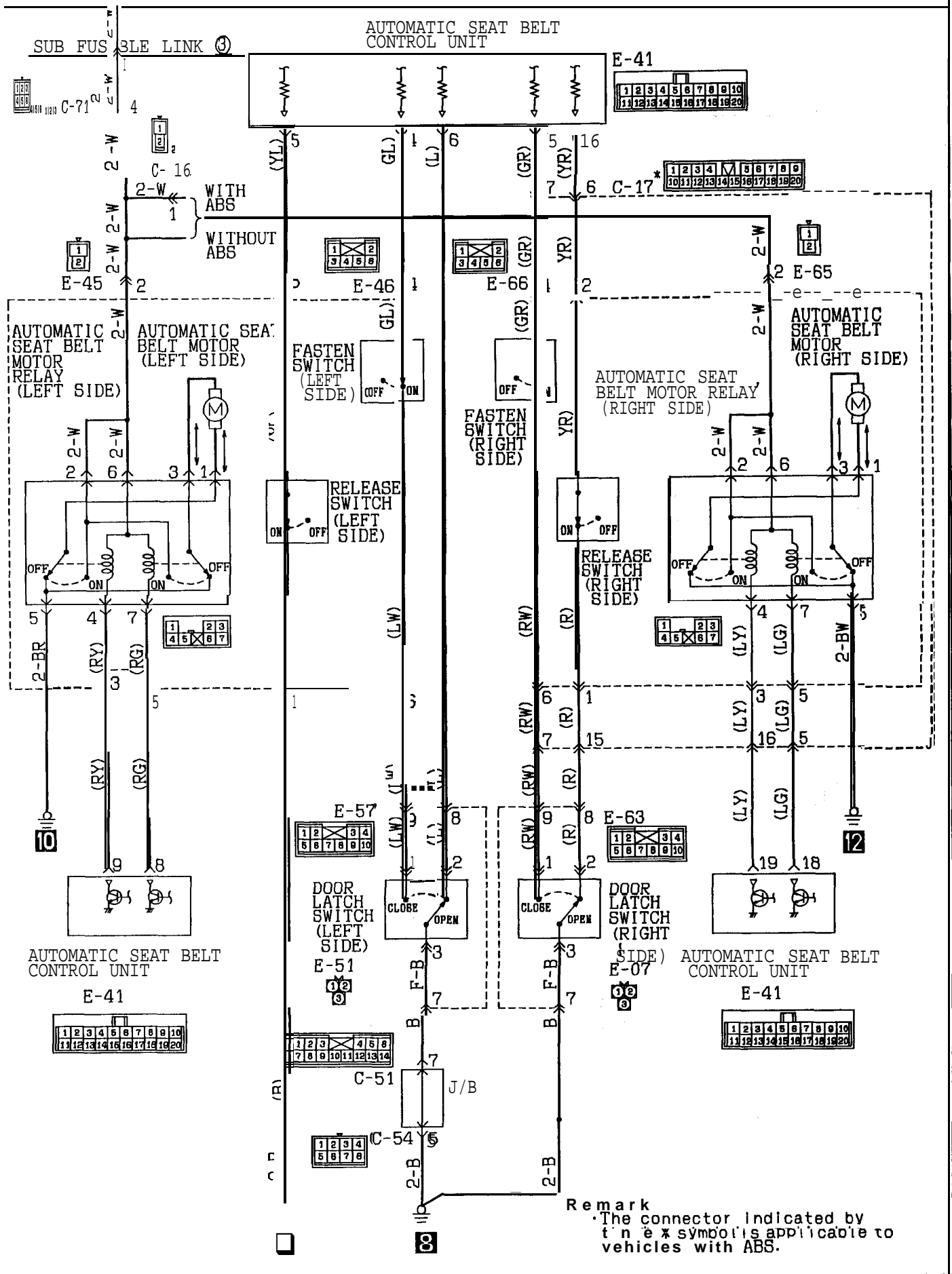


REMOTE CONTROLLED MIRROR CIRCUIT



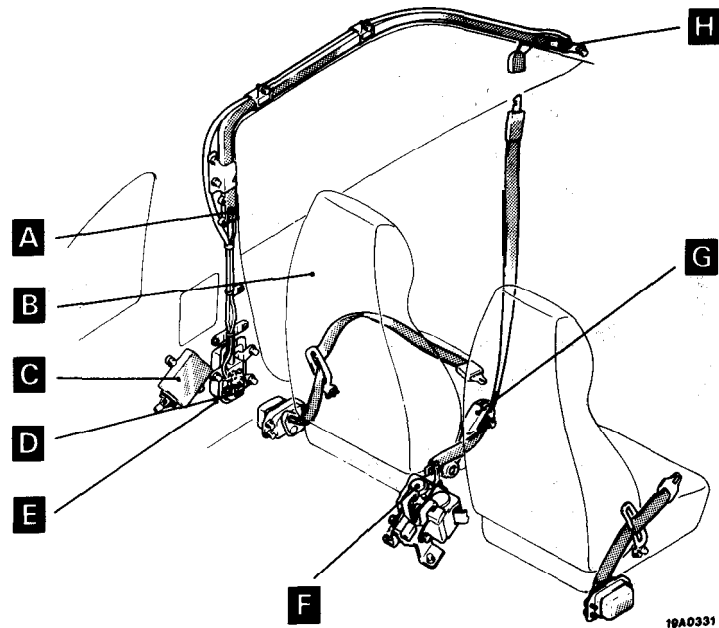
**AUTOMATIC SEAT BELT CIRCUIT**



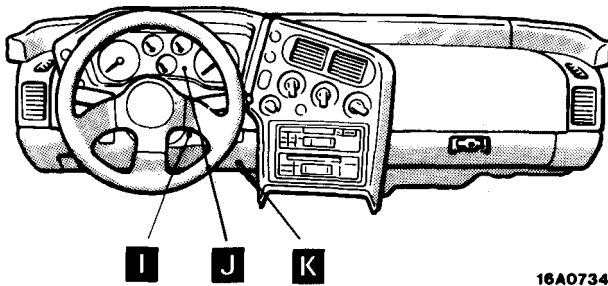


COMPONENTS LOCATION

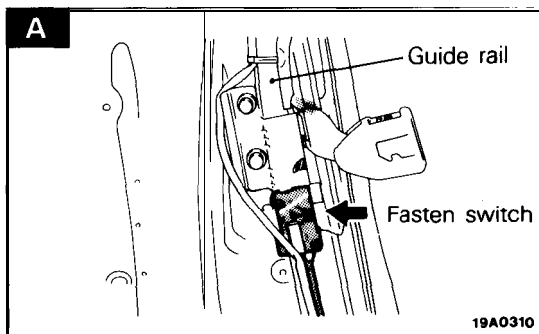
Name	Symbol	Name	Symbol
Automatic seat belt control unit	C	Fasten switch	A
Automatic seat belt motor	E	Key reminder switch	I
Automatic seat belt motor relay	D	Outer switch	F
Buckle switch	G	Seat belt warning light	J
Buzzer	K	Release switch	H
Door latch switch	B	—	—



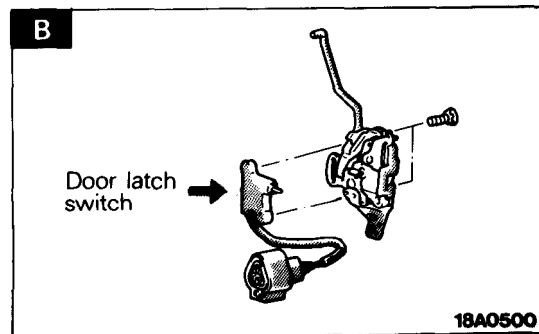
19A0331



16A0734

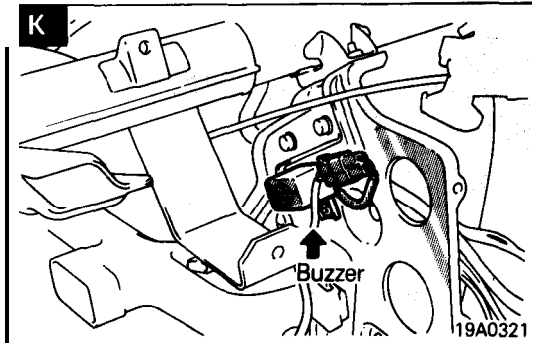
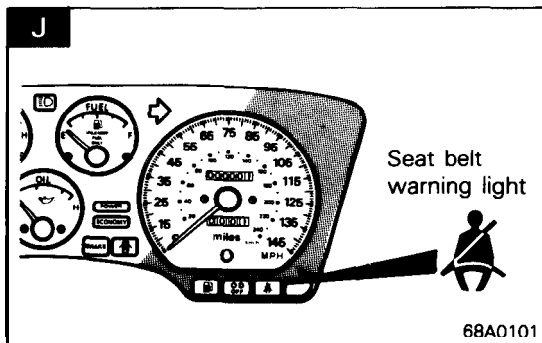
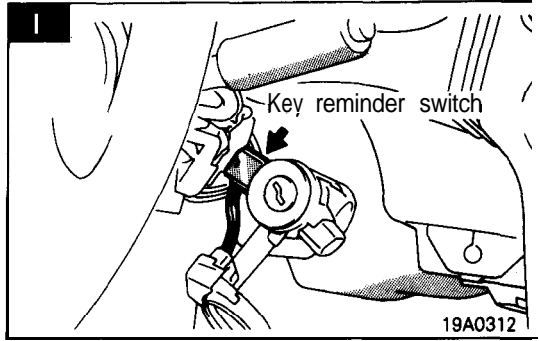
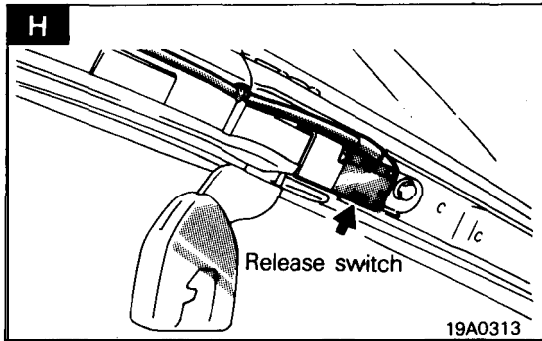
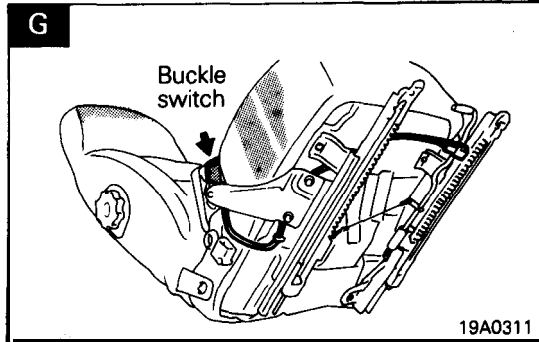
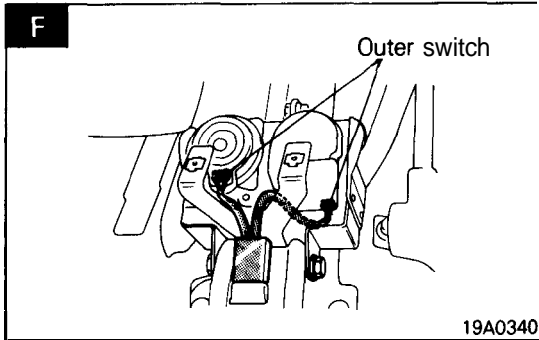
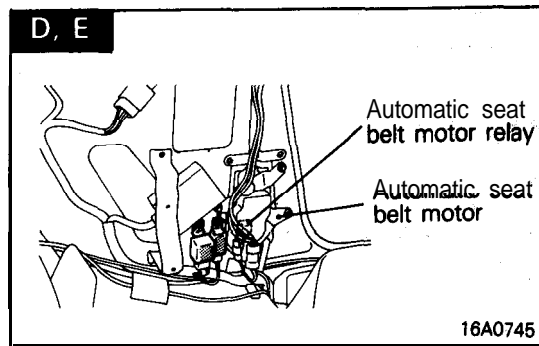
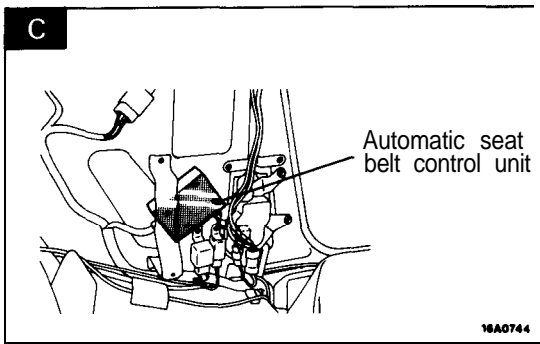


19A0310

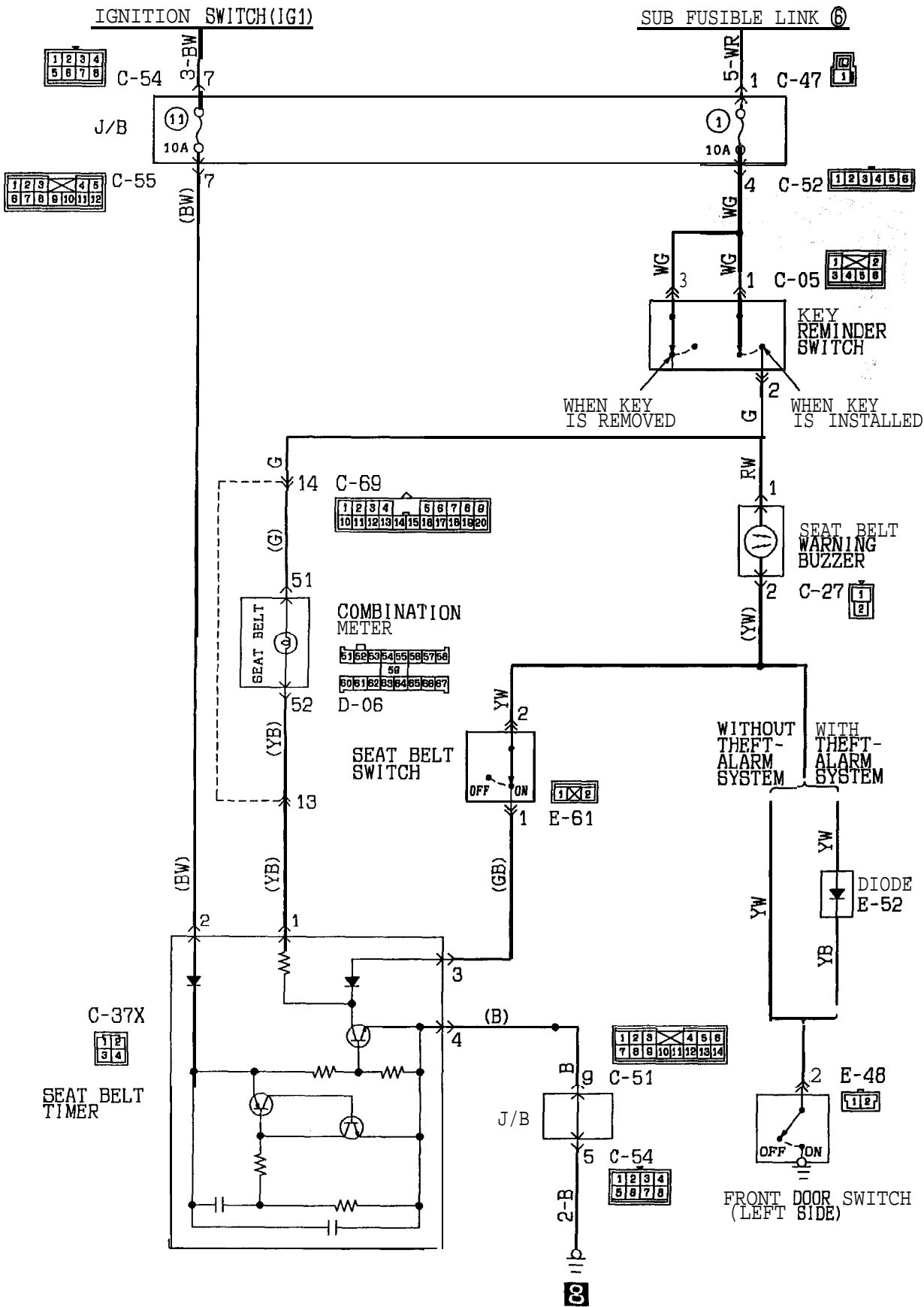


18A0500



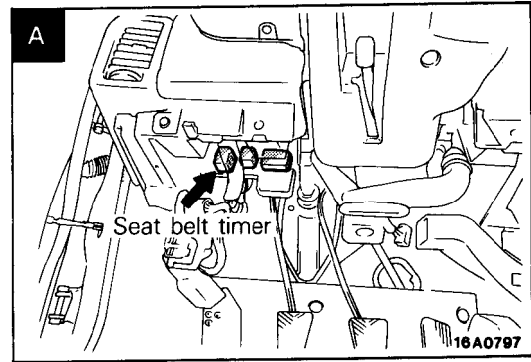
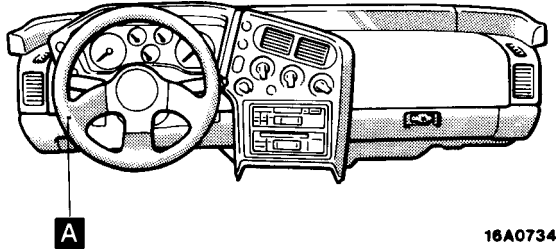


**BUZZER CIRCUIT (VEHICLES FOR CANADA)**



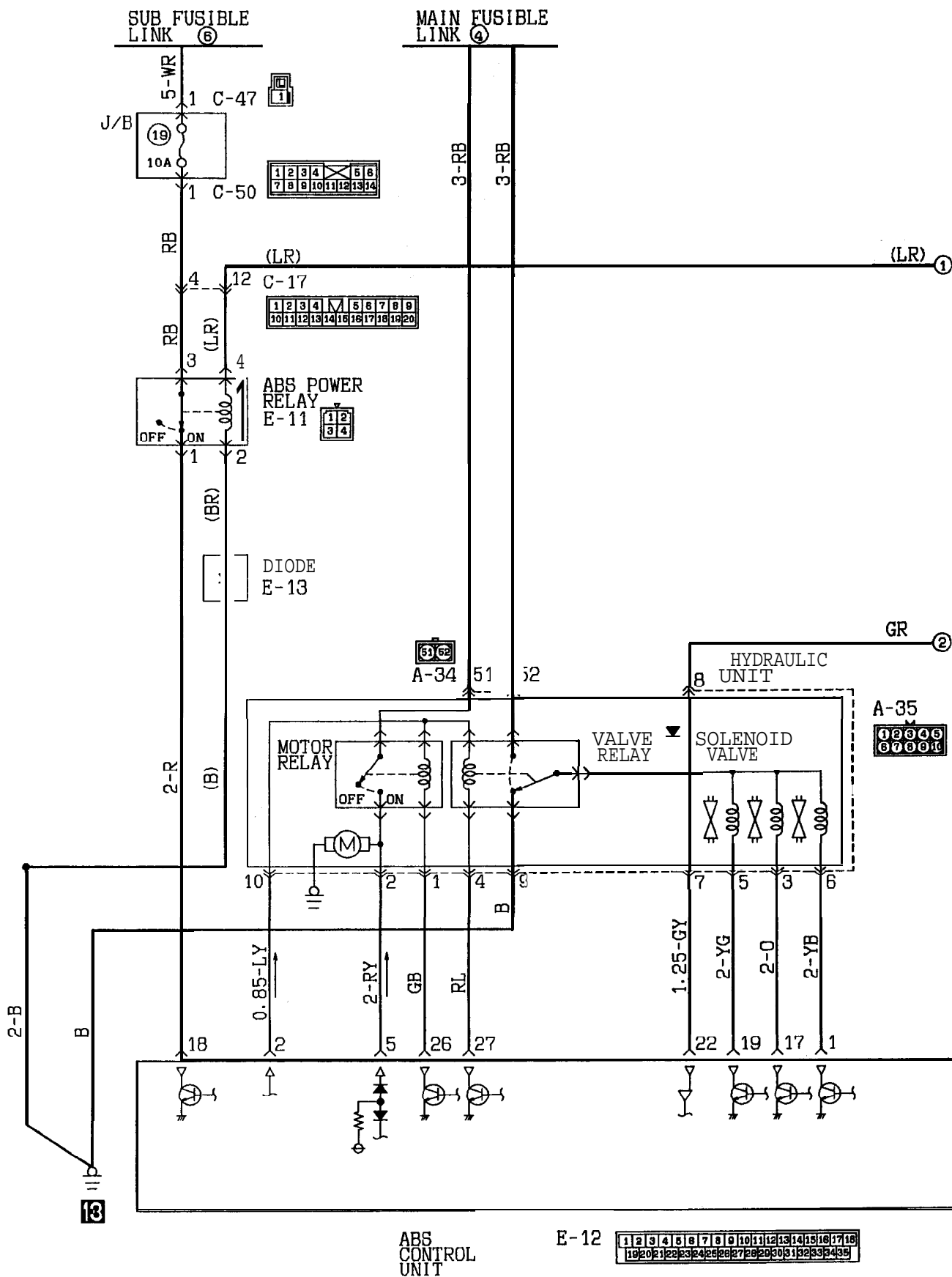
COMPONENTS LOCATION

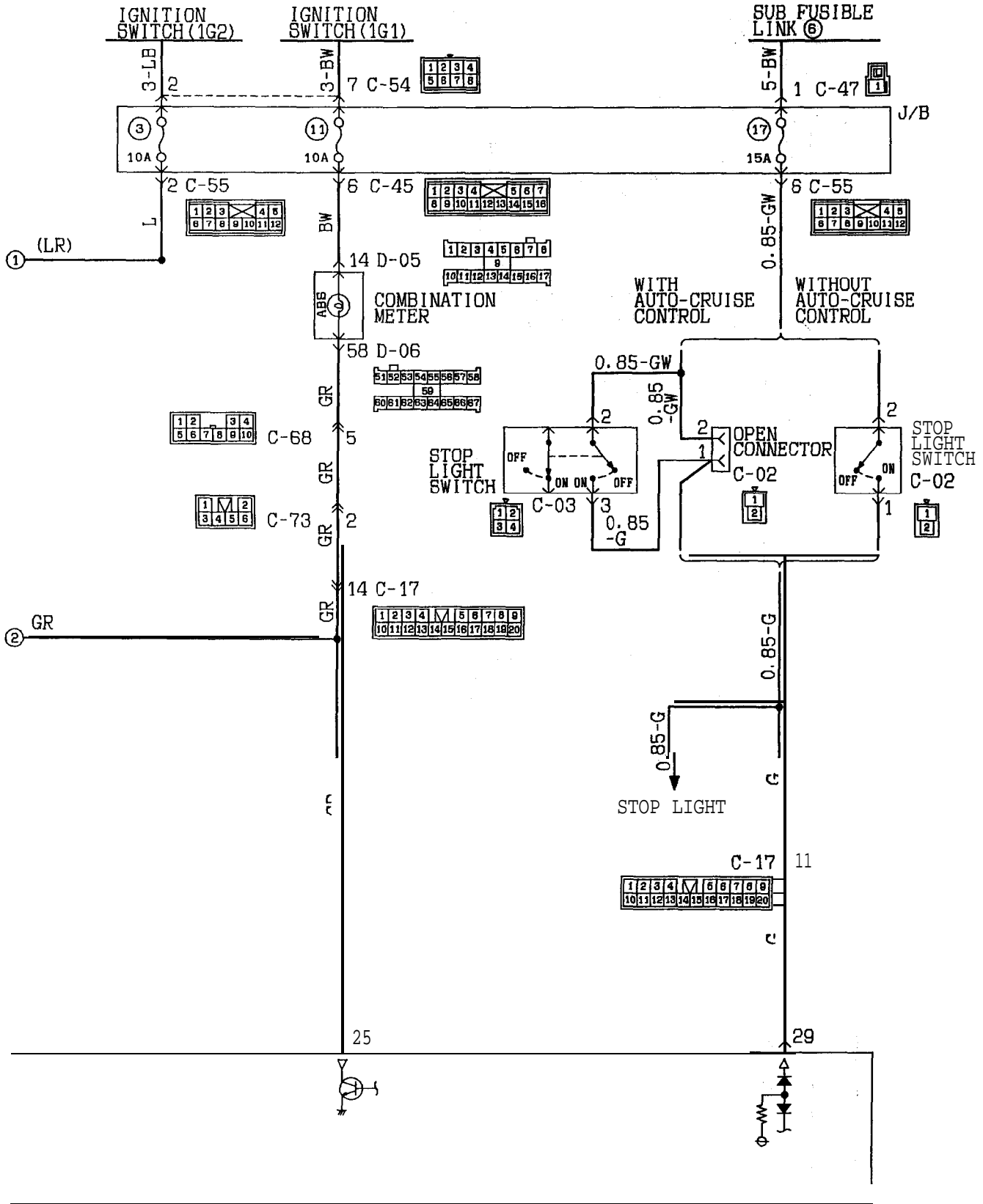
Name	Symbol
Seat belt timer	A

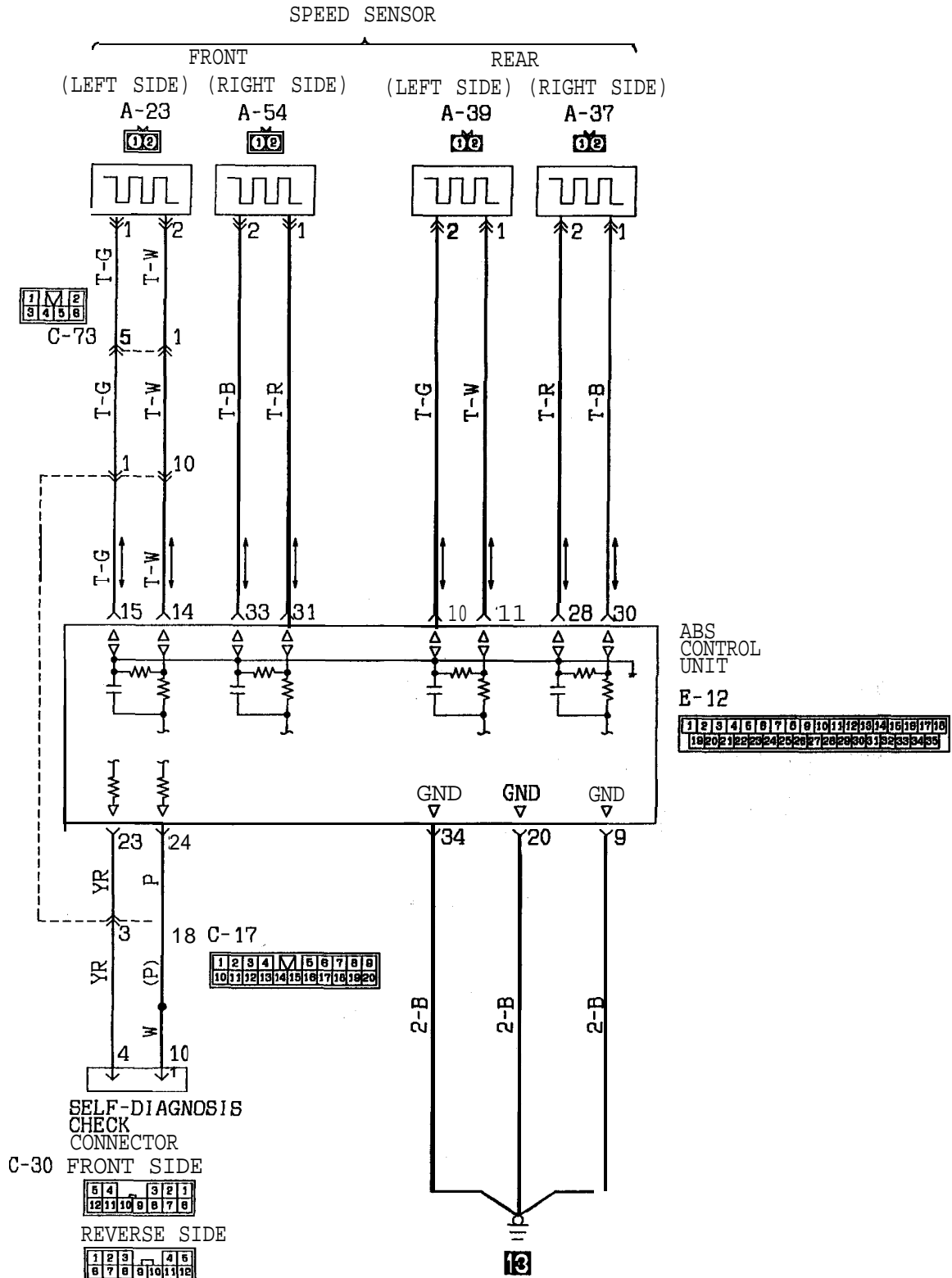


**ANTI-LOCK BRAKING SYSTEM (ABS) CIRCUIT**

<FWD>

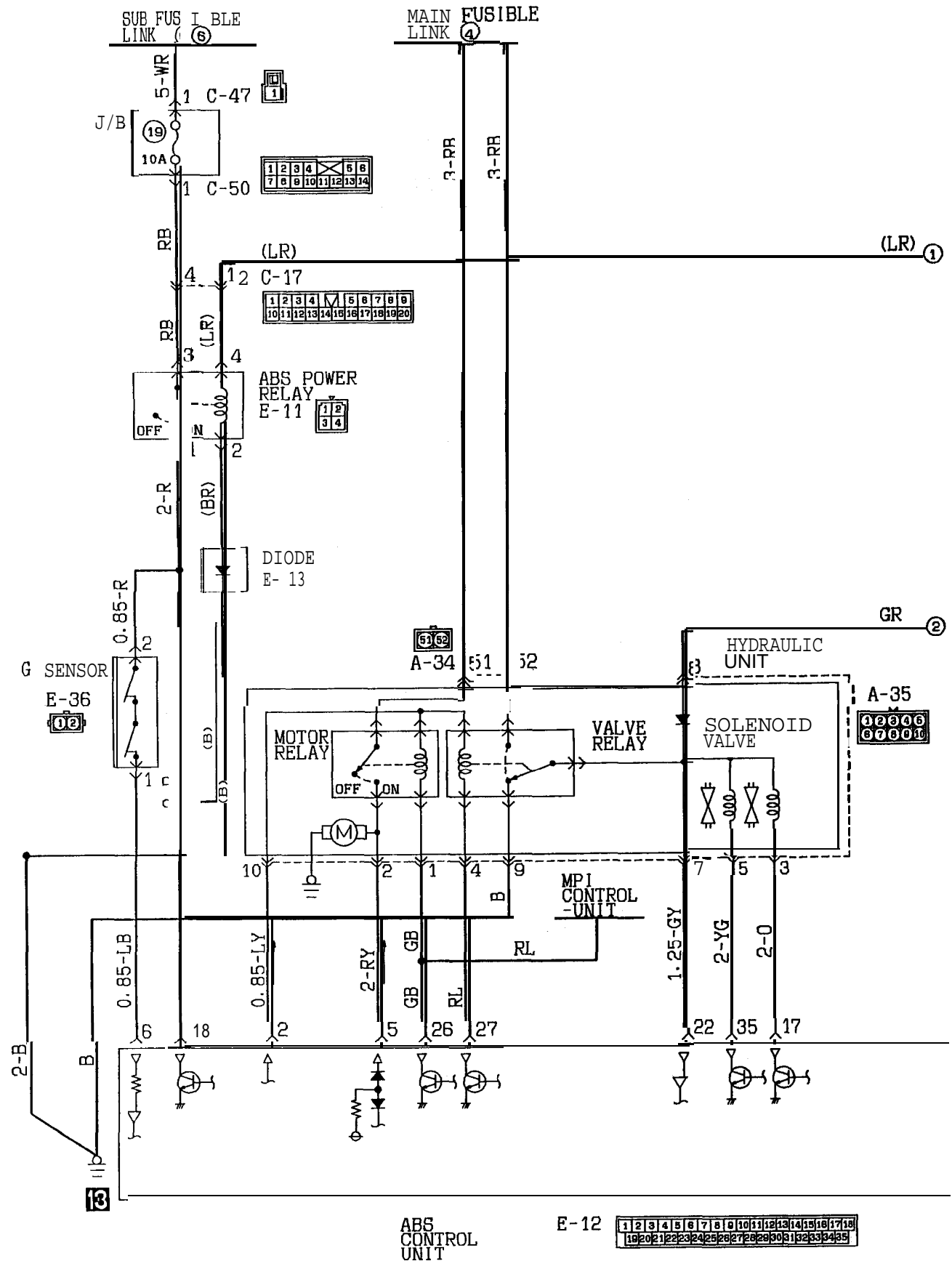


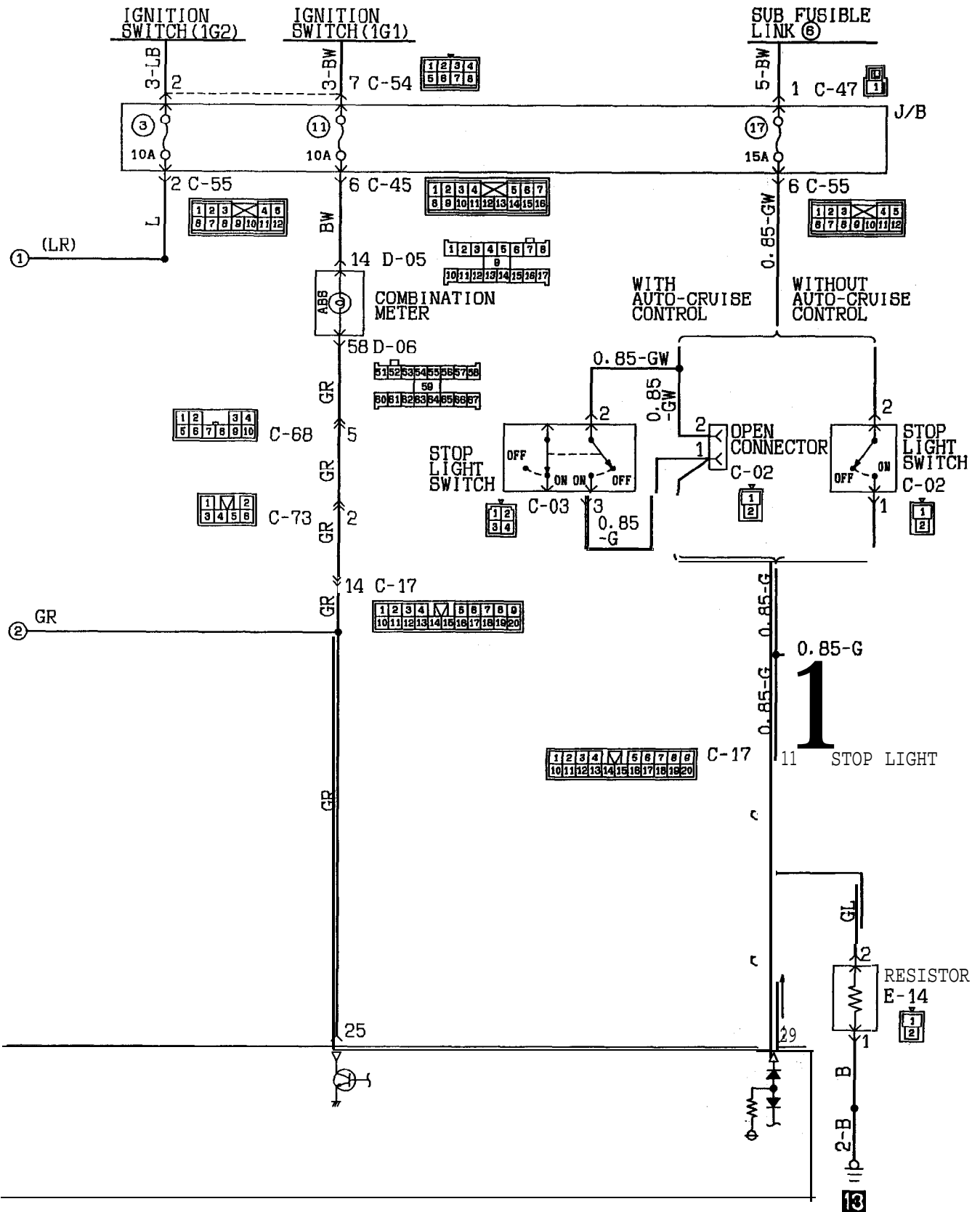




# 8-114 CIRCUIT DIAGRAMS – Anti-Lock Braking System (ABS) Circuit

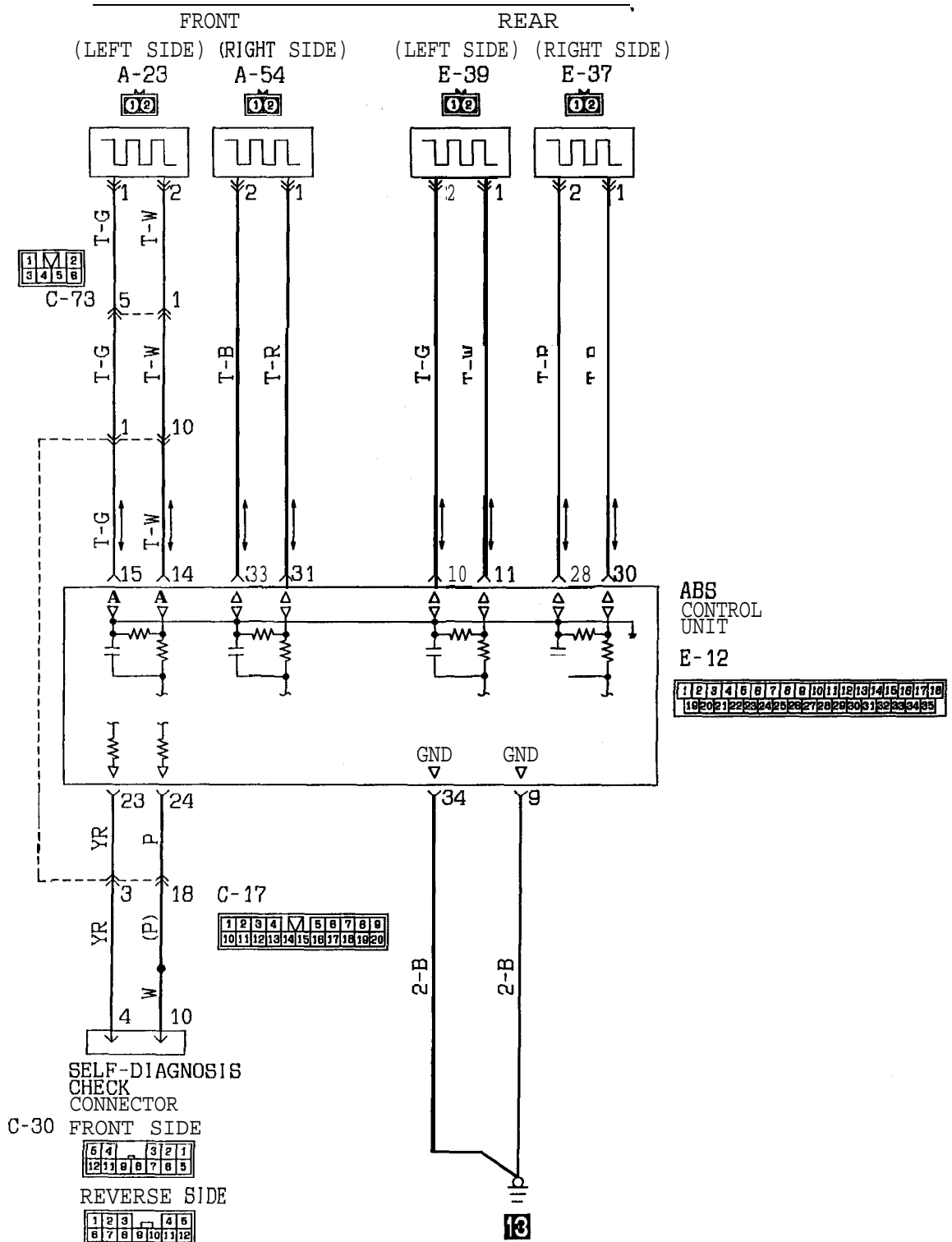
<AWD>







SPEED SENSOR



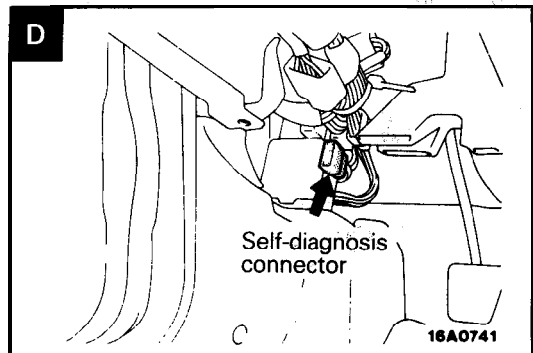
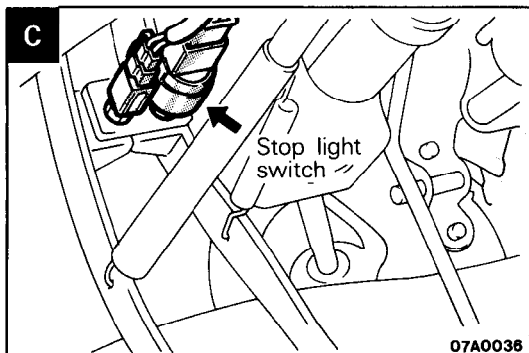
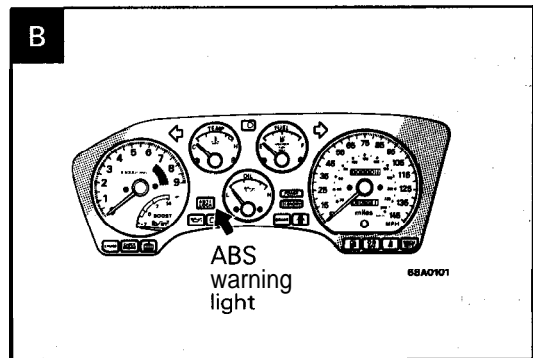
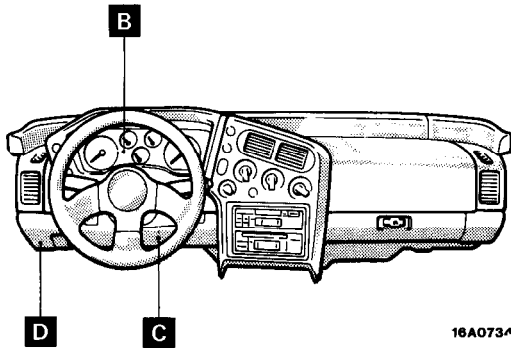
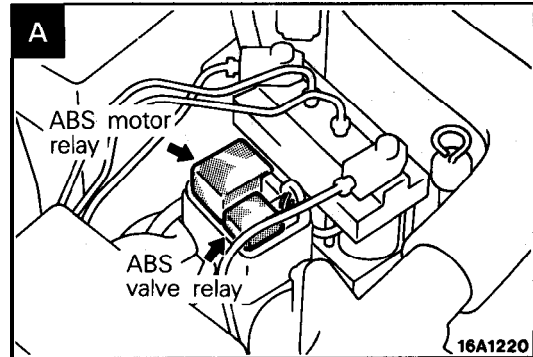
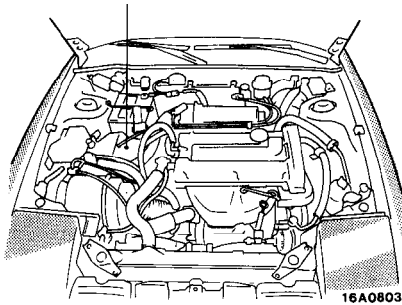
COMPONENTS LOCATION

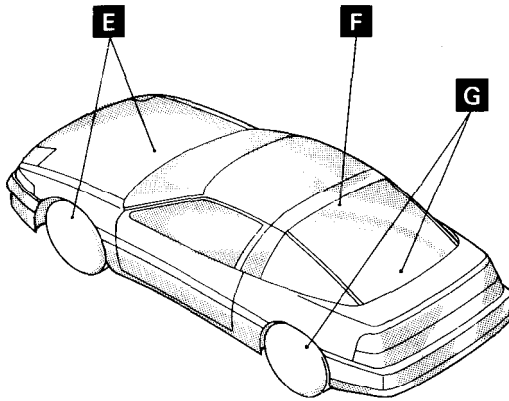
<FWD>

Name	Symbol	Name	Symbol
ABS control unit	F	Diode	F
ABS motor relay	A	Front speed sensor	E
ABS power relay	F	Rear speed sensor	G
ABS valve relay	A	Self-diagnosis connector	D
ABS warning light	B	Stop light switch	C

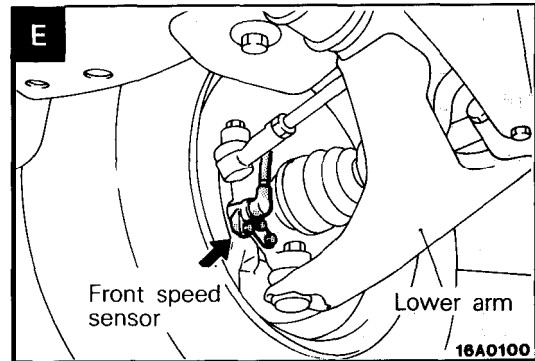
NOTE

The "Name" column is arranged in alphabetical order.

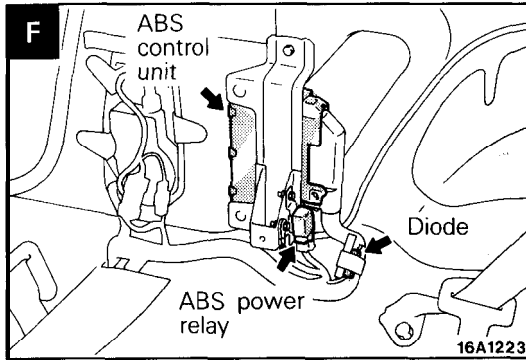




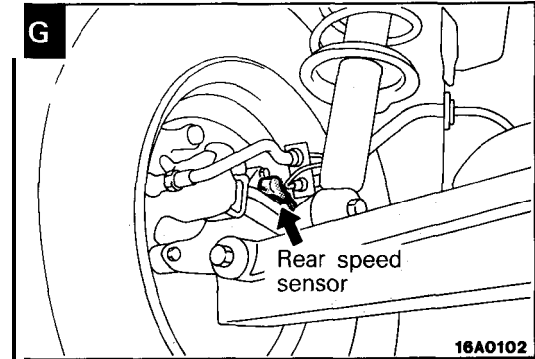
16A0811



16A0100



16A1223

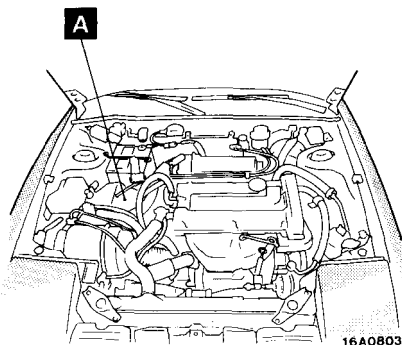


16A0102

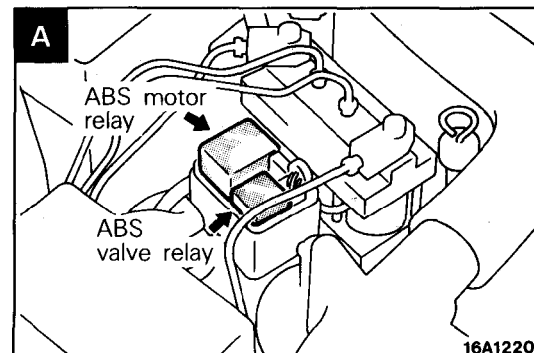
<AWD>

Name	Symbol	Name	Symbol
ABS control unit	G	Diode	G
ABS motor relay	A	Front speed sensor	E
ABS power relay	G	G-sensor	F
ABS valve relay	A	Rear speed sensor	H
ABS warning light	B	Self-diagnosis connector	D
		Stop light switch	C

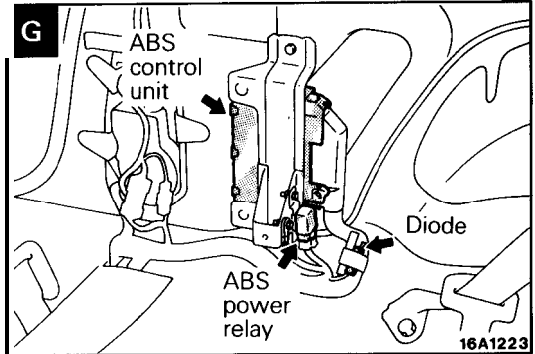
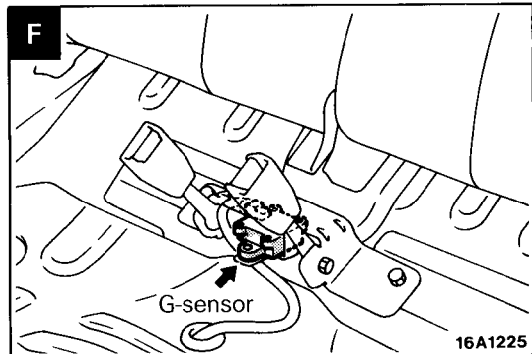
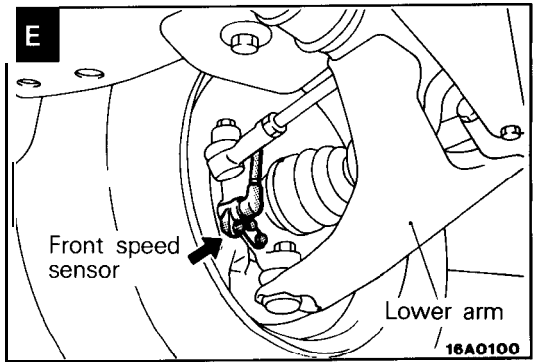
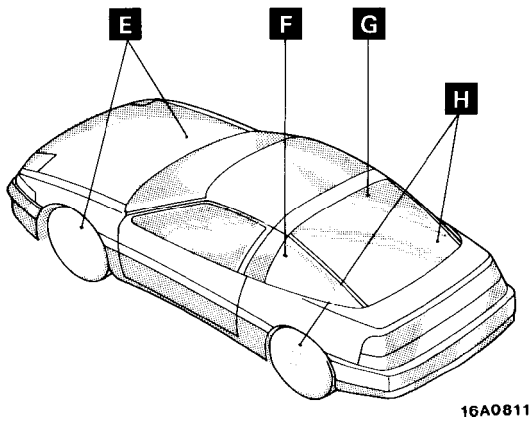
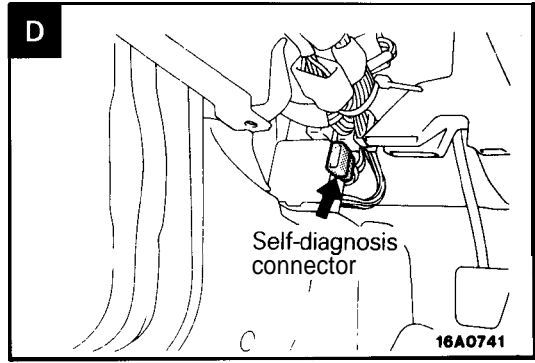
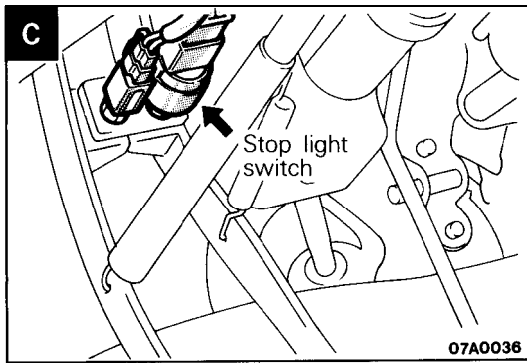
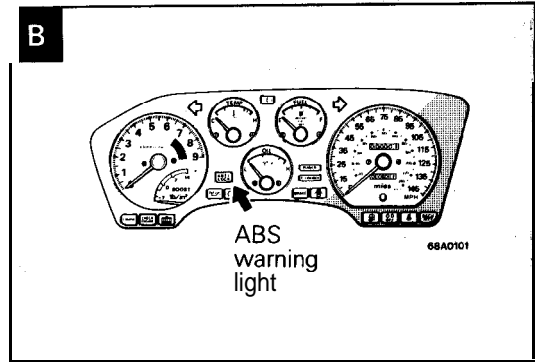
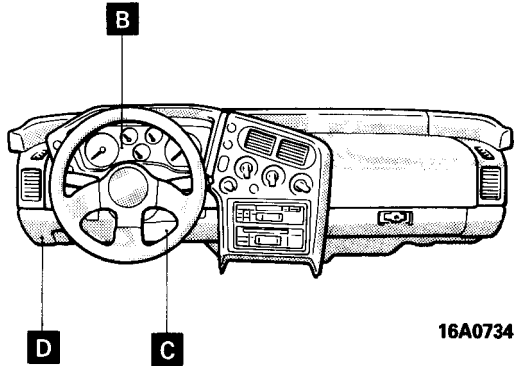
NOTE  
The "Name" column is arranged in alphabetical order.

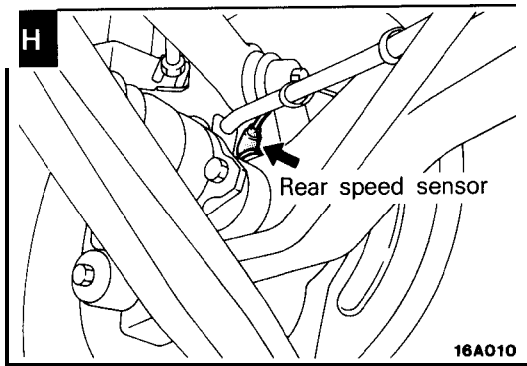


16A0803



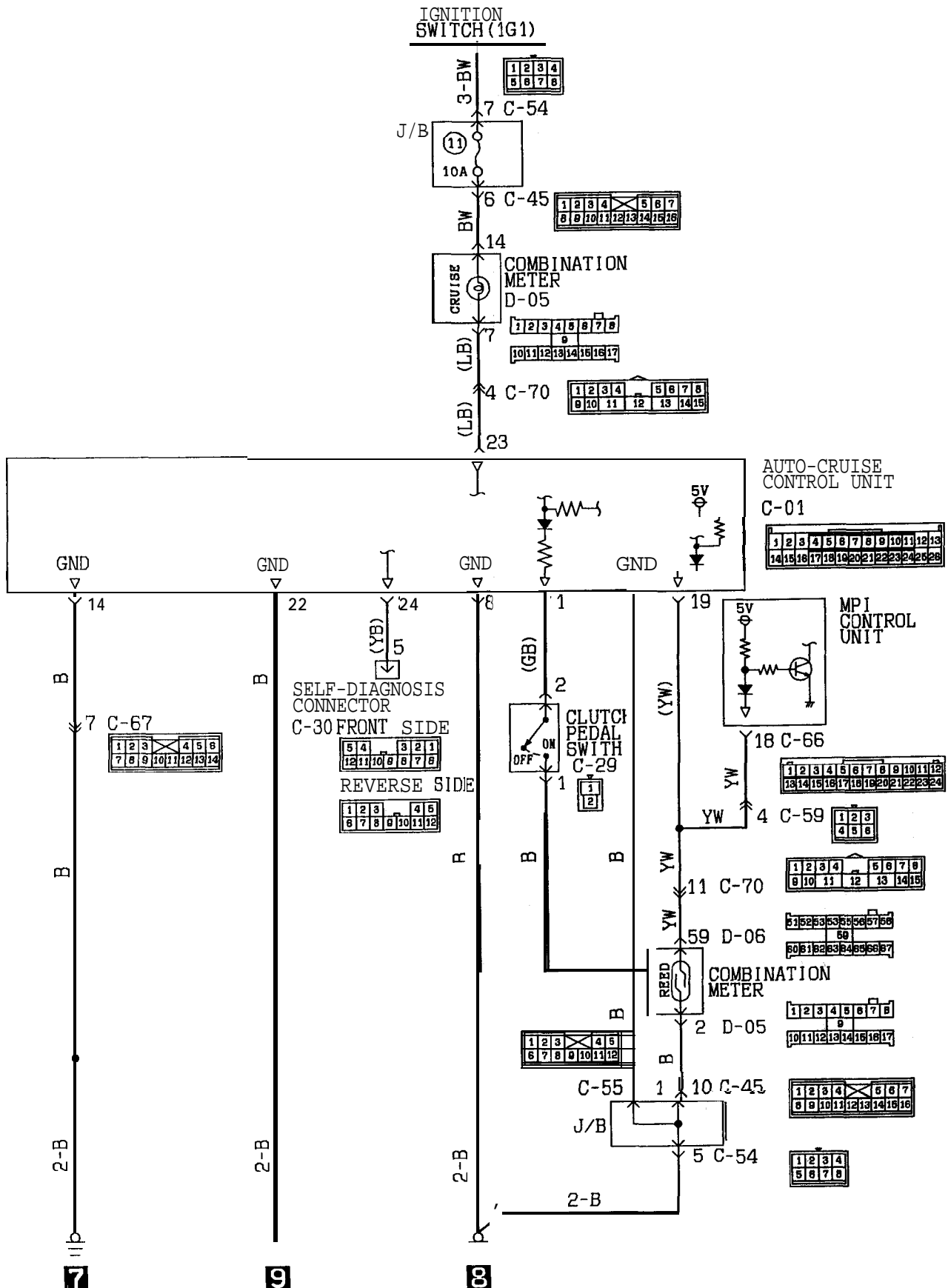
16A1220

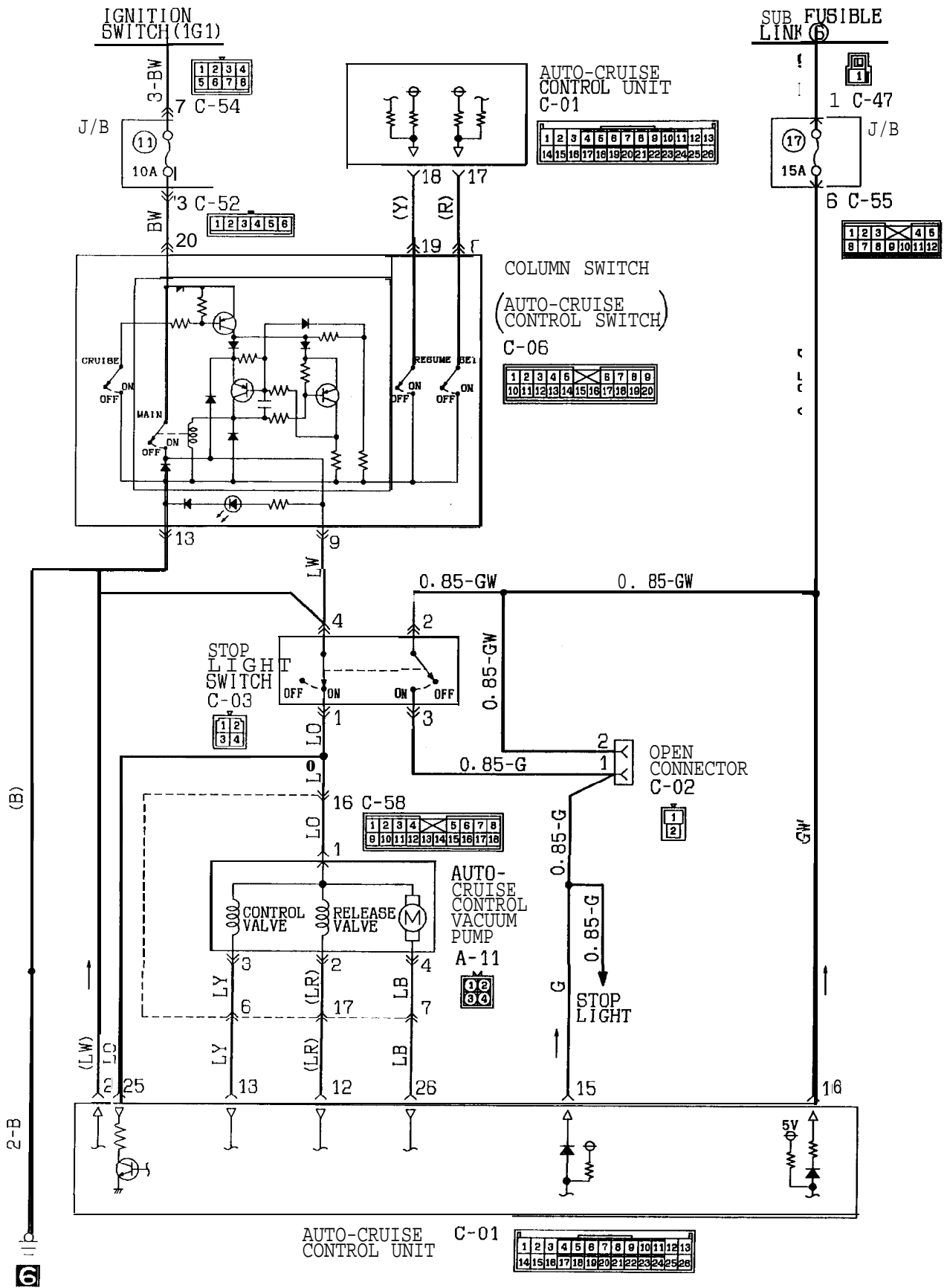




**AUTO-CRUISE CONTROL CIRCUIT**

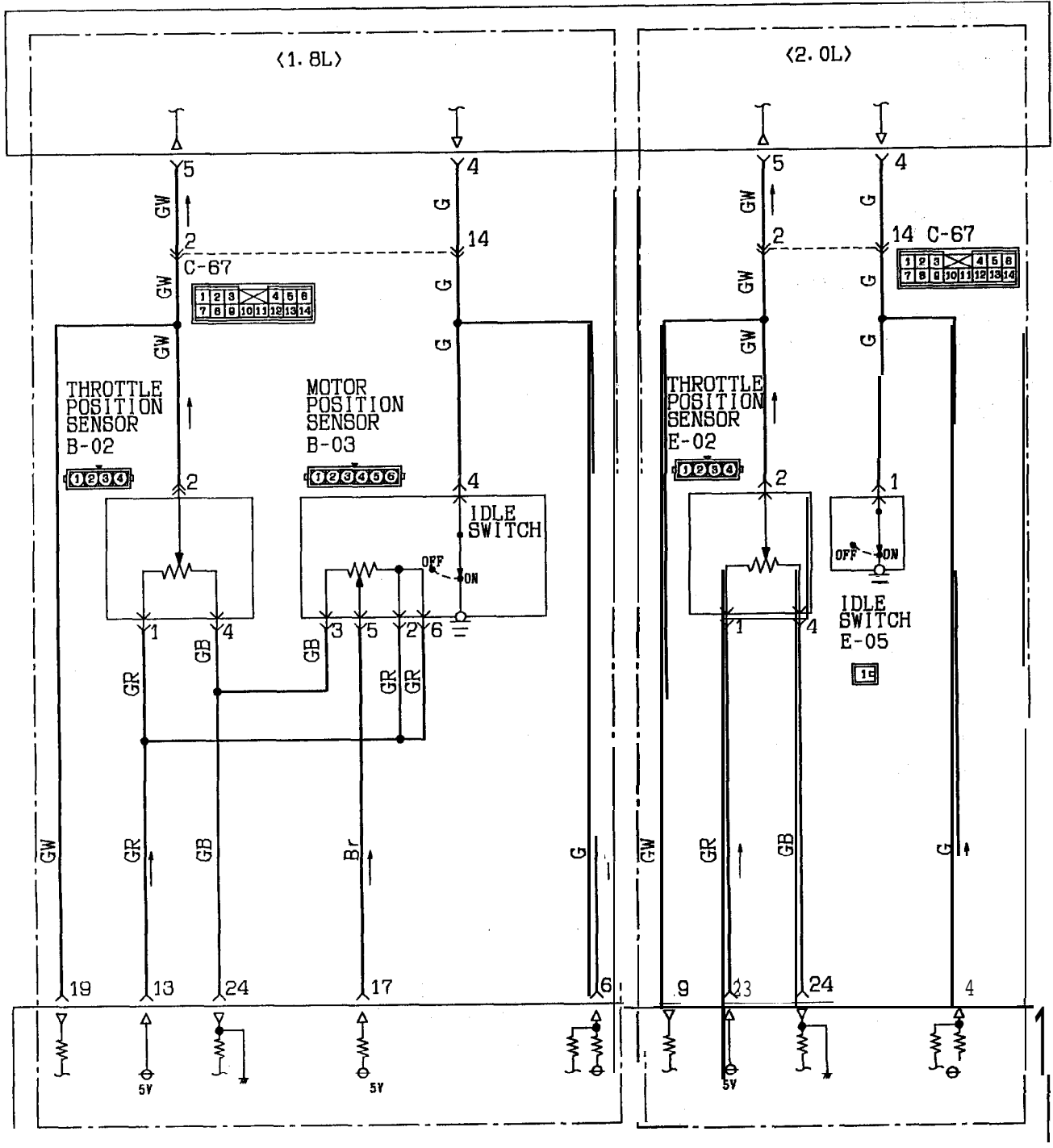
<M/T>





AUTO-CRUISE CONTROL-UNIT C-01

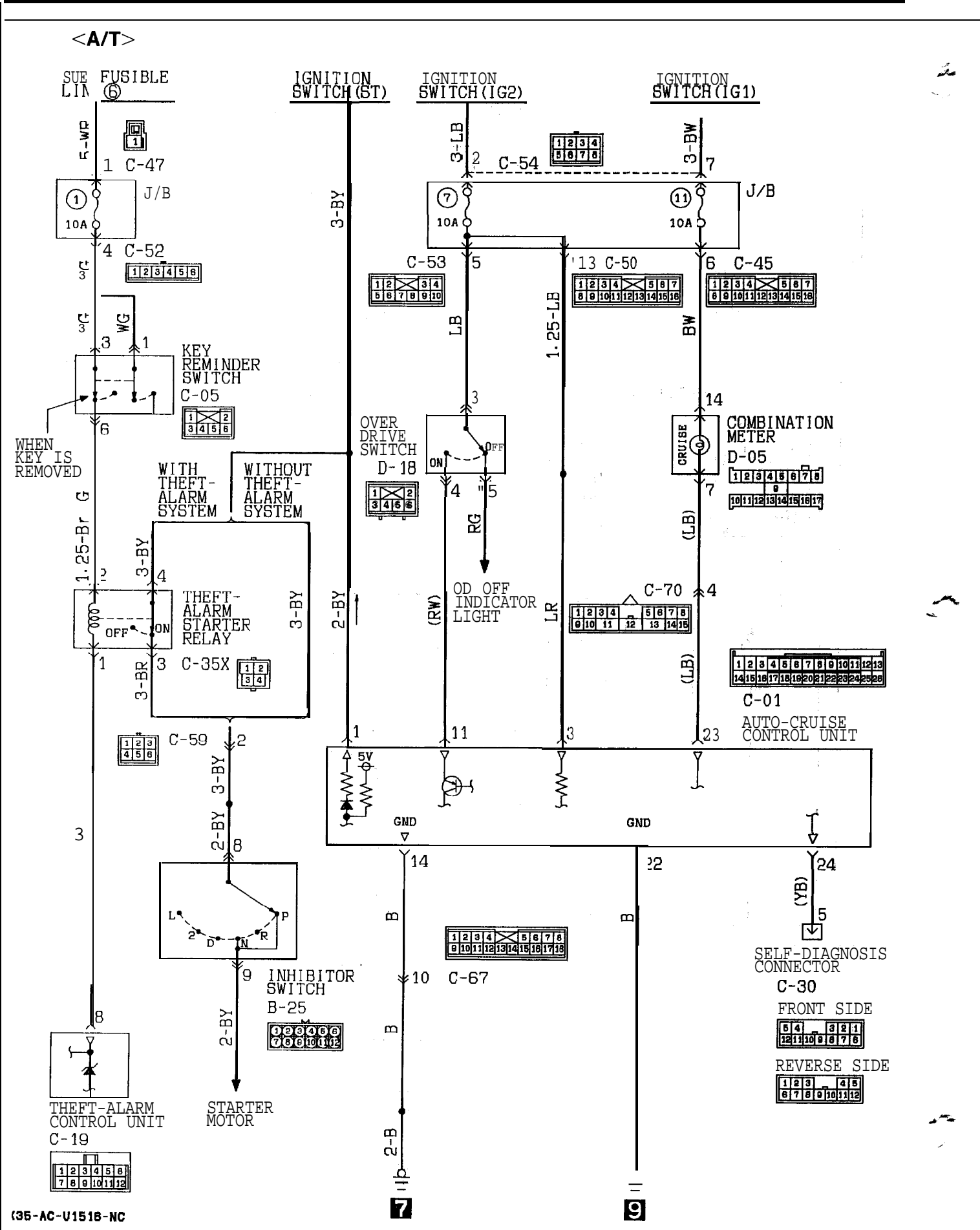
1	2	3	4	5	6	7	8	9	10	11	12	13
14	15	16	17	18	19	20	21	22	23	24	25	26

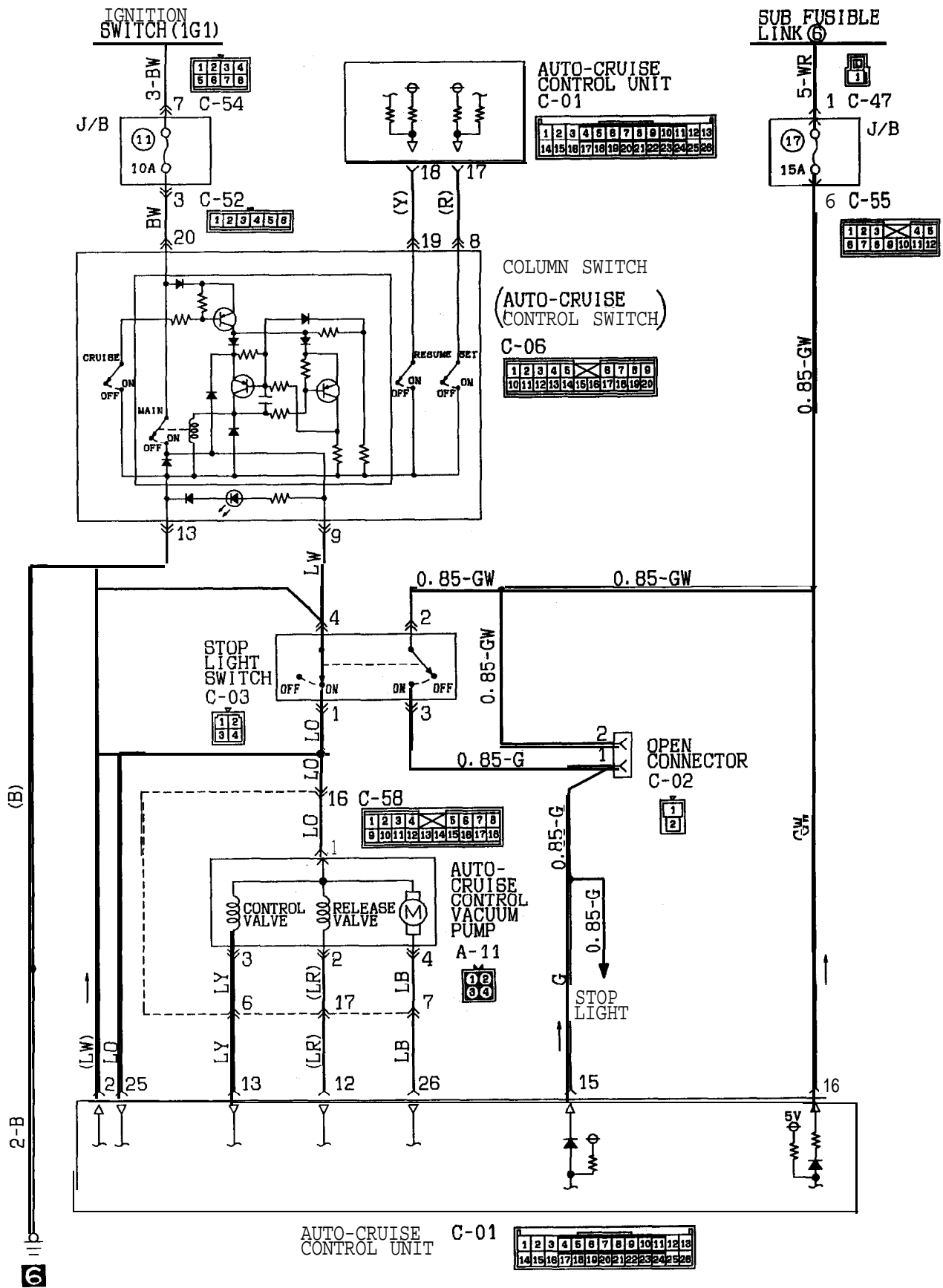


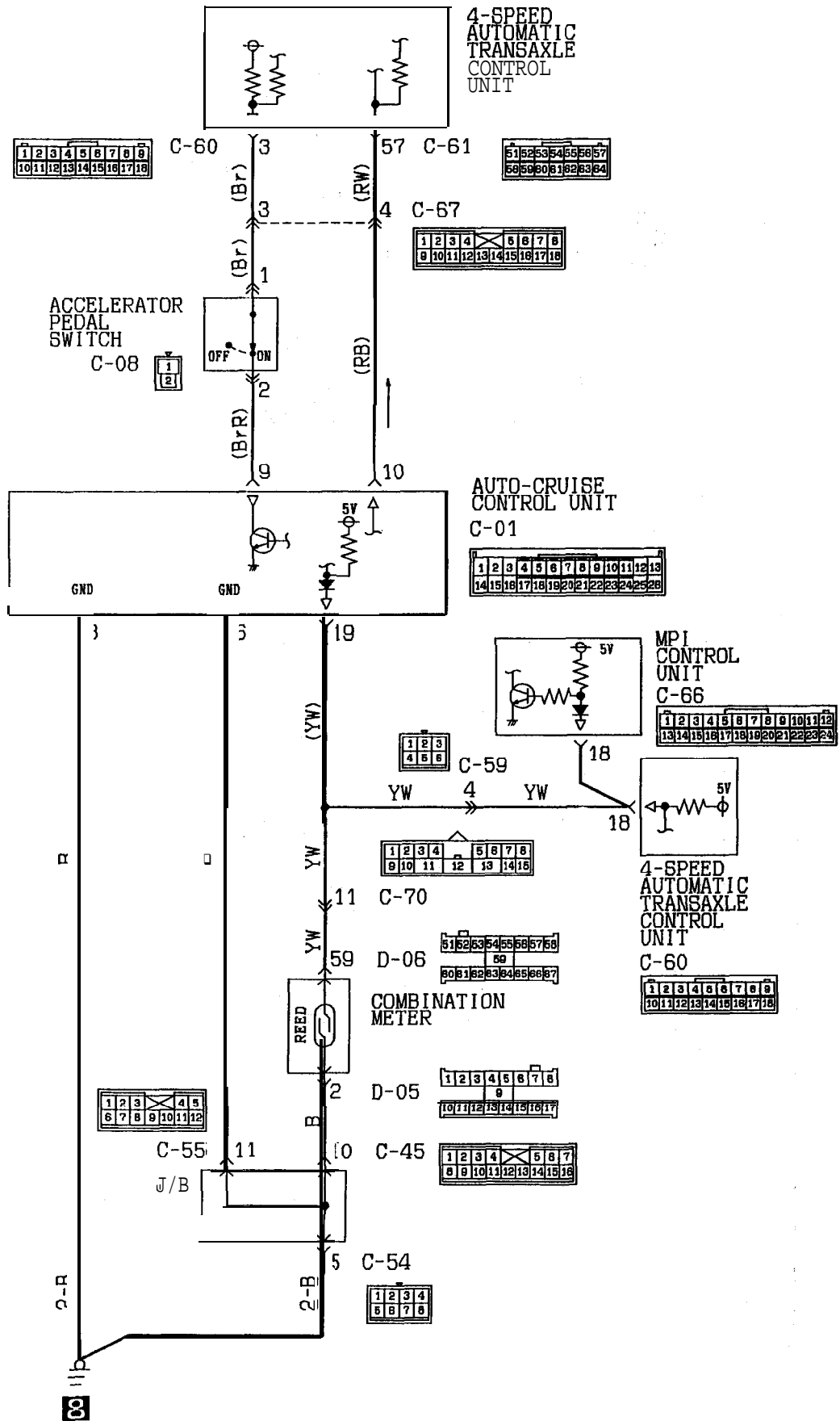
MPI CONTROL UNIT C-66

1	2	3	4	5	6	7	8	9	10	11	12
13	14	15	16	17	18	19	20	21	22	23	24



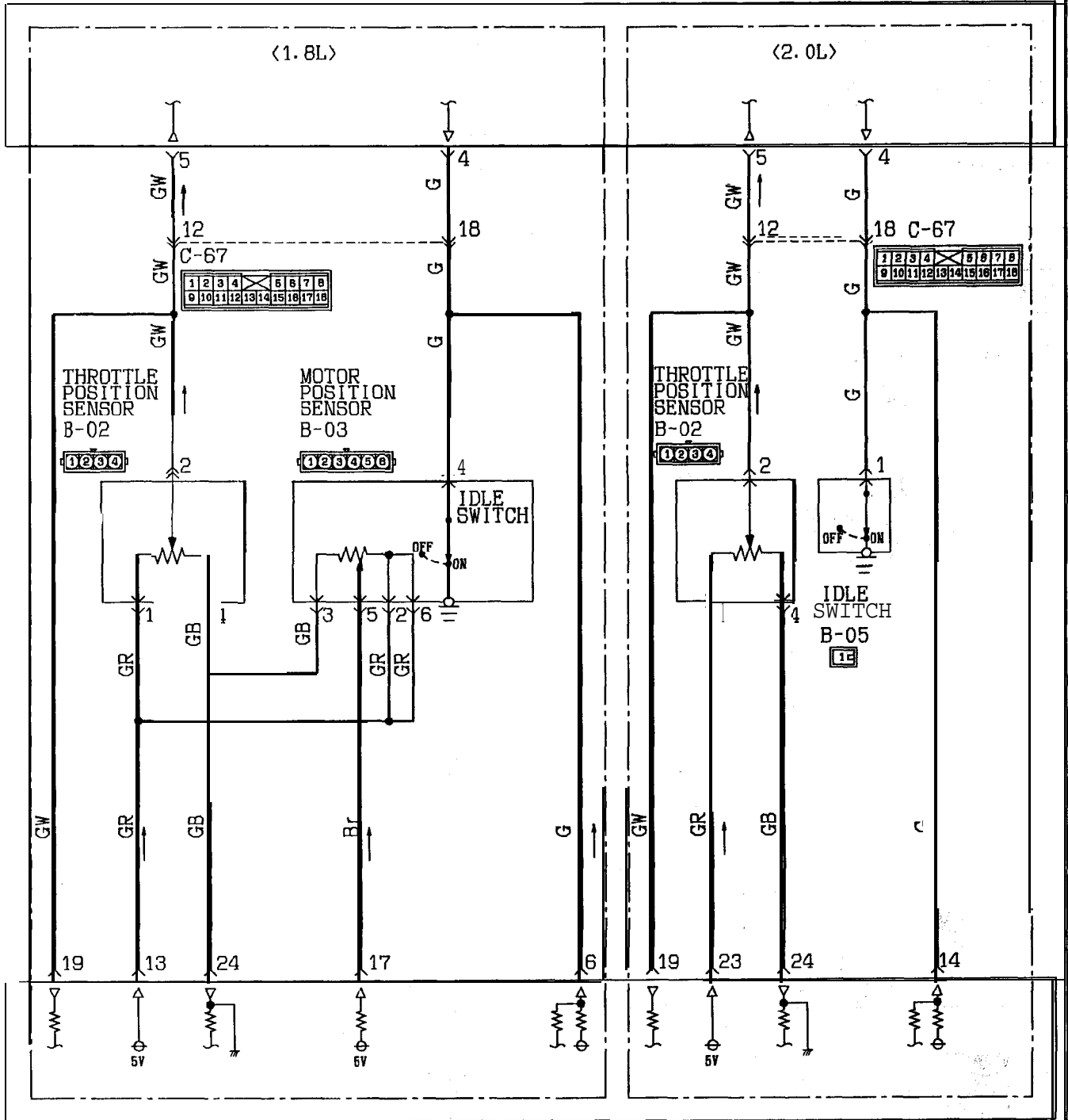






AUTO-CRUISE CONTROL-UNIT C-01

1	2	3	4	5	6	7	8	9	10	11	12	13
14	15	16	17	18	19	20	21	22	23	24	25	26



MPI CONTROL UNIT C-66

1	2	3	4	5	6	7	8	9	10	11	12
13	14	15	16	17	18	19	20	21	22	23	24

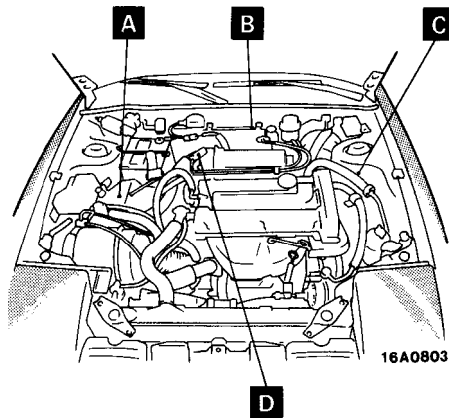
COMPONENTS LOCATION

Name	Symbol	Name	Symbol
Accelerator pedal switch <A/T>	K	Idle switch	D
Auto-cruise control actuator	C	Inhibitor switch <A/T>	A
Auto-cruise control switch	H	Motor position sensor (Idle switch)	D
Auto-cruise control unit	E	Overdrive switch <A/T>	J
Auto-cruise control vacuum pump	B	Stop light switch	L
Auto-cruise indicator light	F	Throttle position sensor	D
Clutch switch <M/T>	M	Vehicle speed sensor (Reed switch)	G
4 A/T control unit	I		

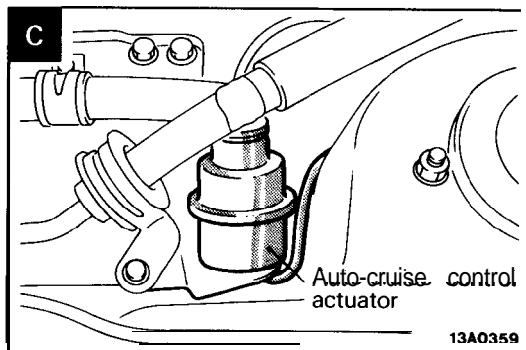
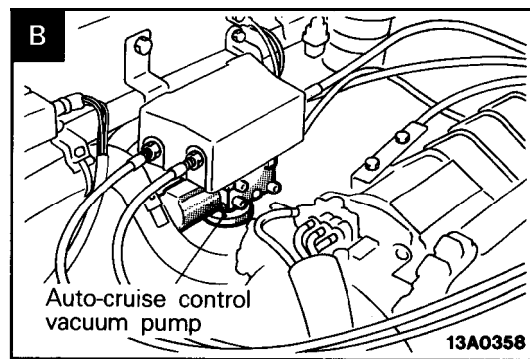
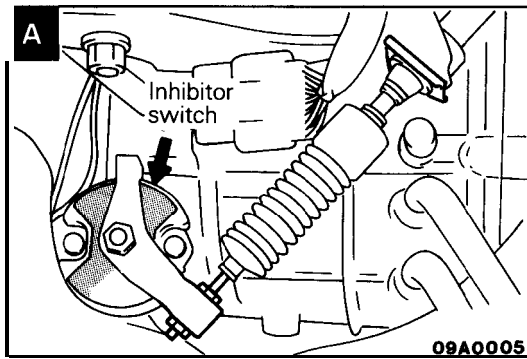
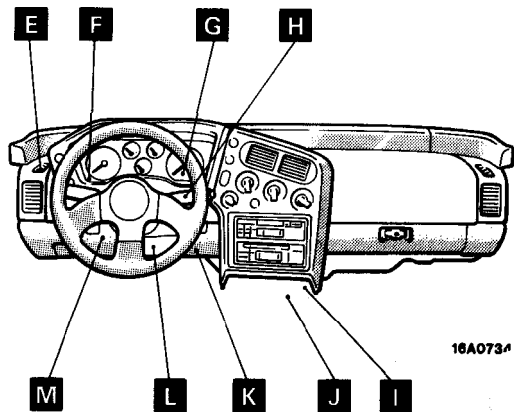
NOTE

The "Name" column is arranged in alphabetical order.

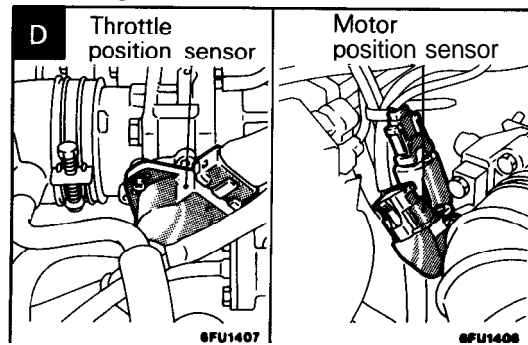
<Engine compartment>

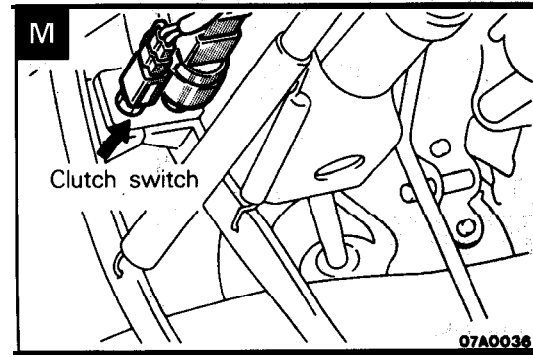
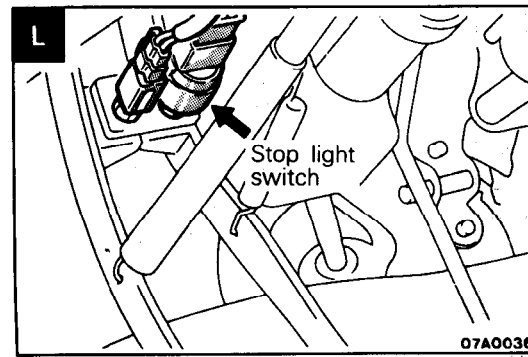
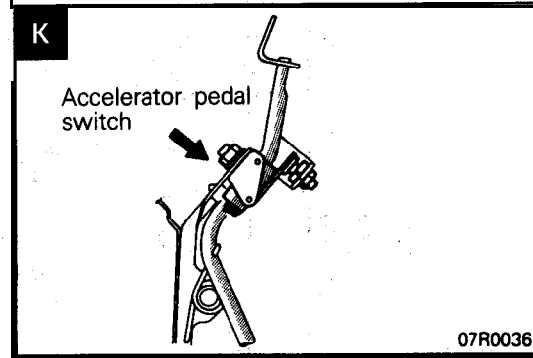
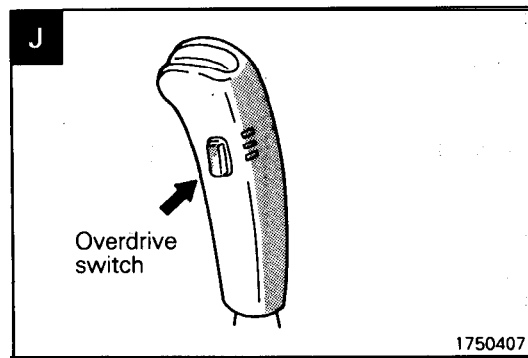
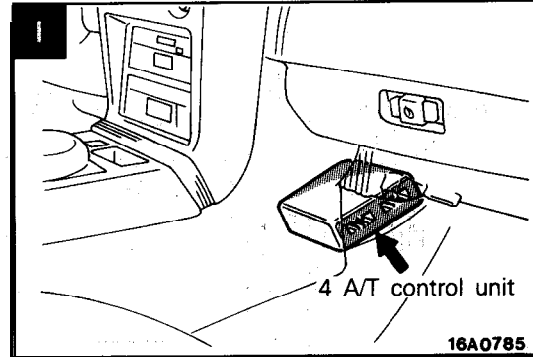
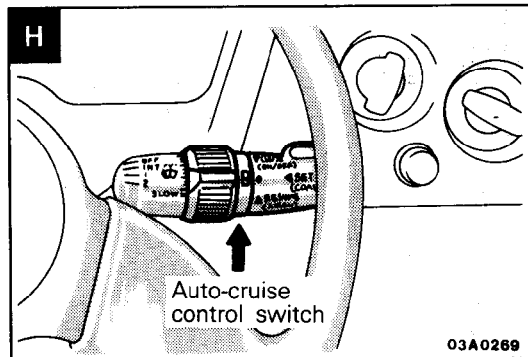
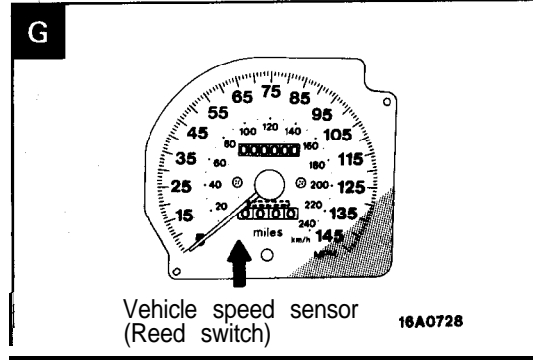
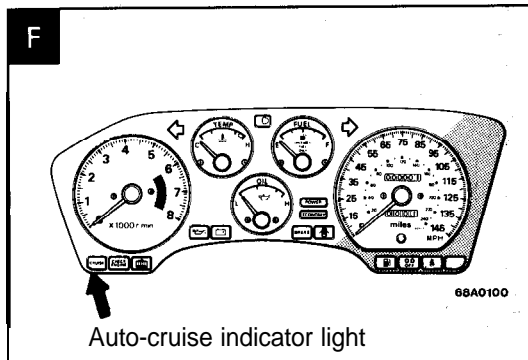
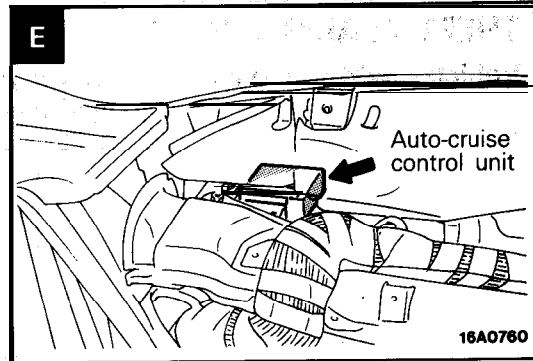
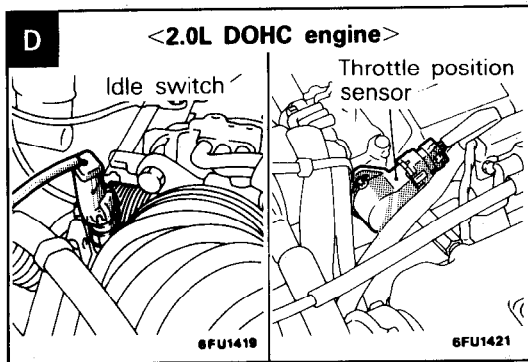


<Interior>



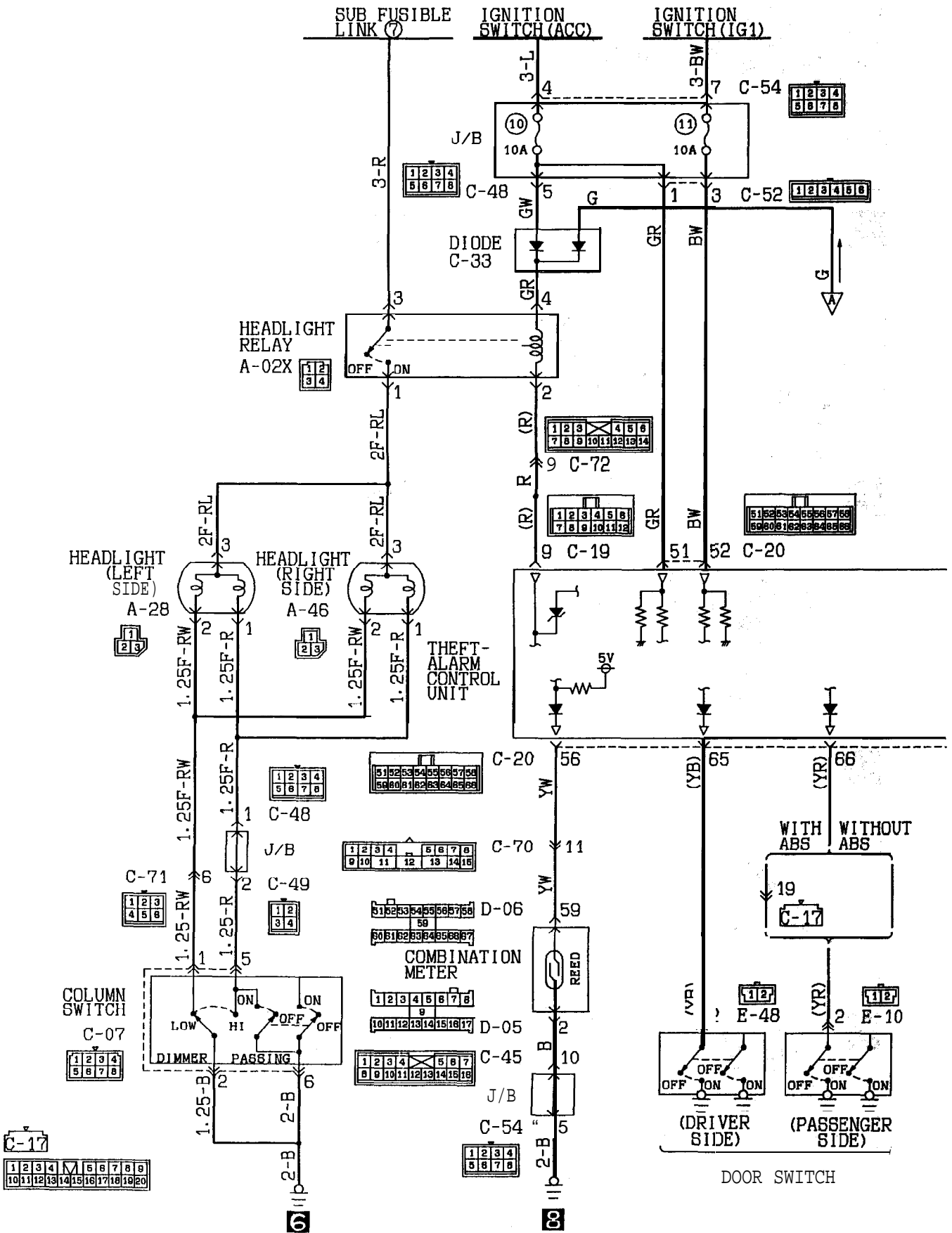
<1.8L engine>

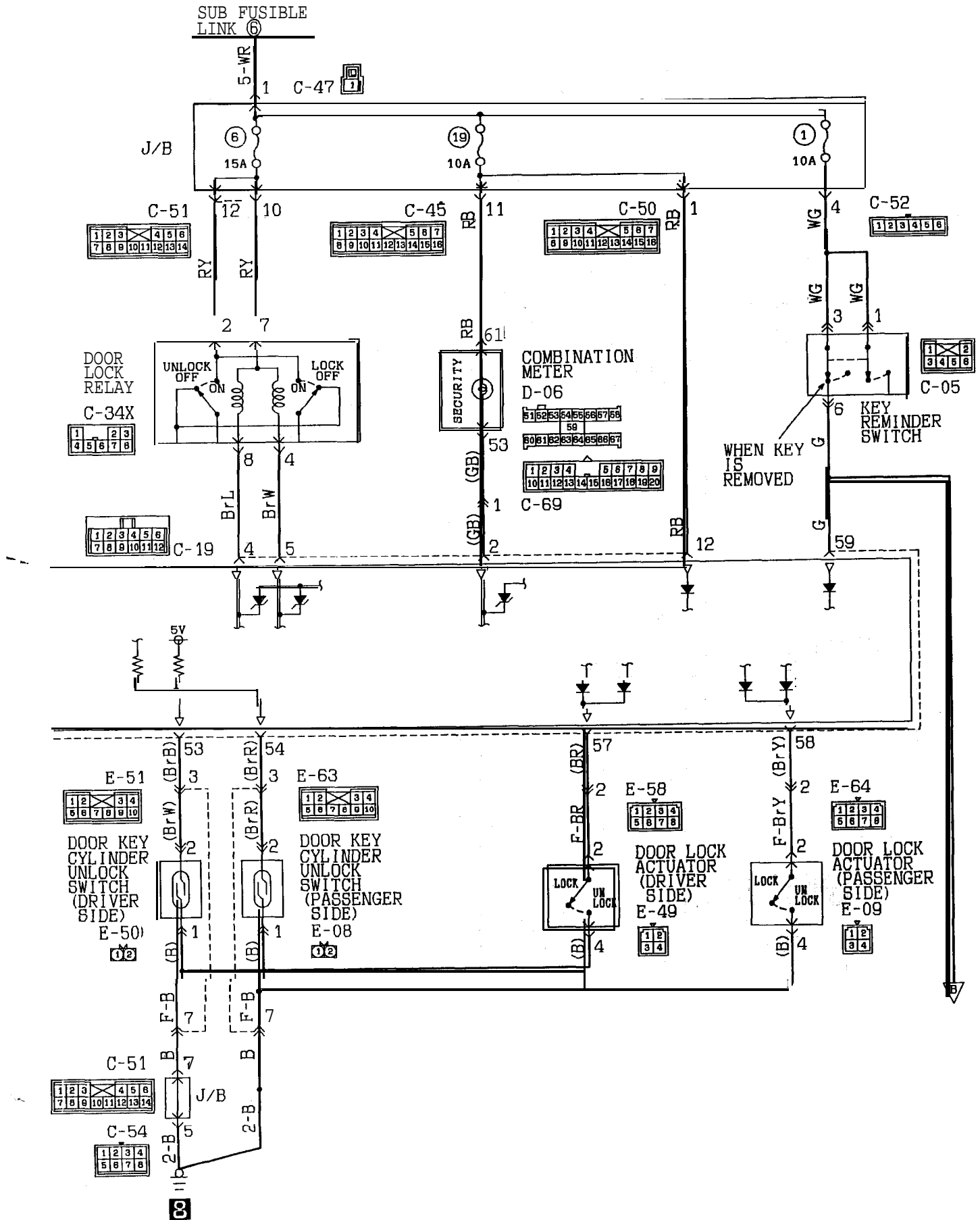




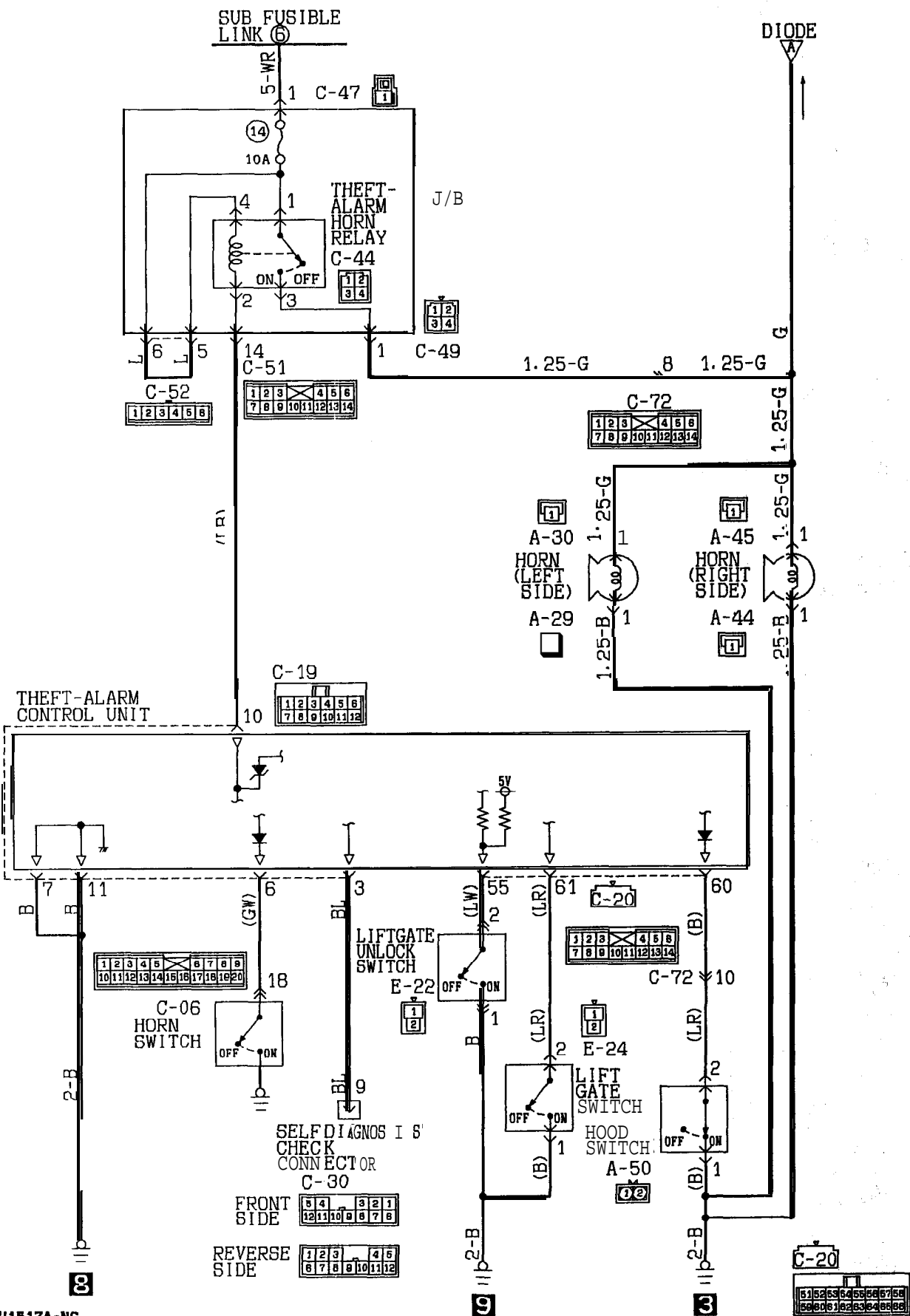
### THEFT-ALARM CIRCUIT

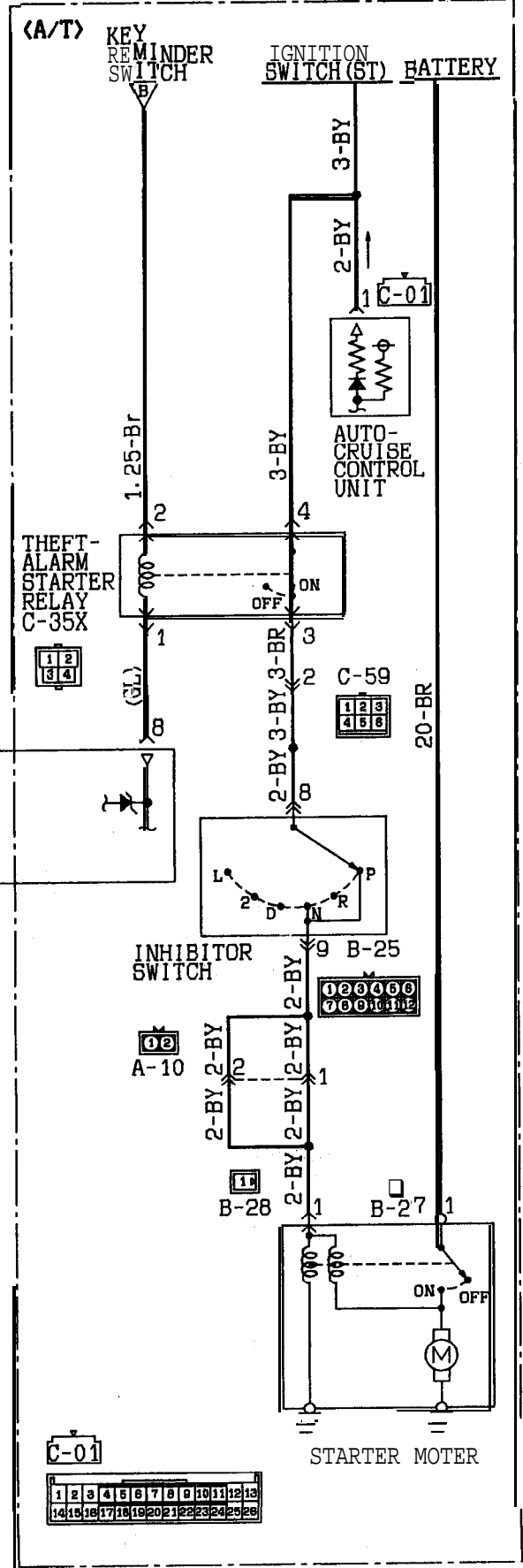
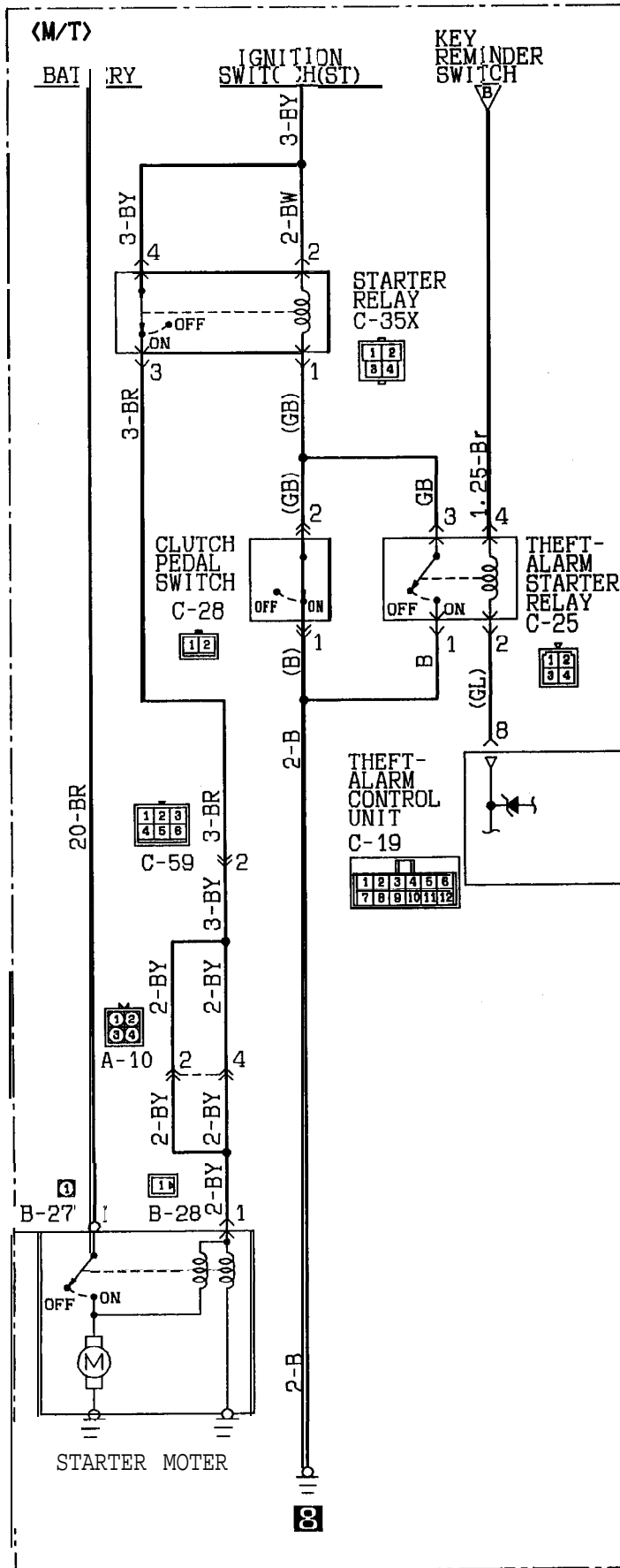
Vehicles without daytime running light



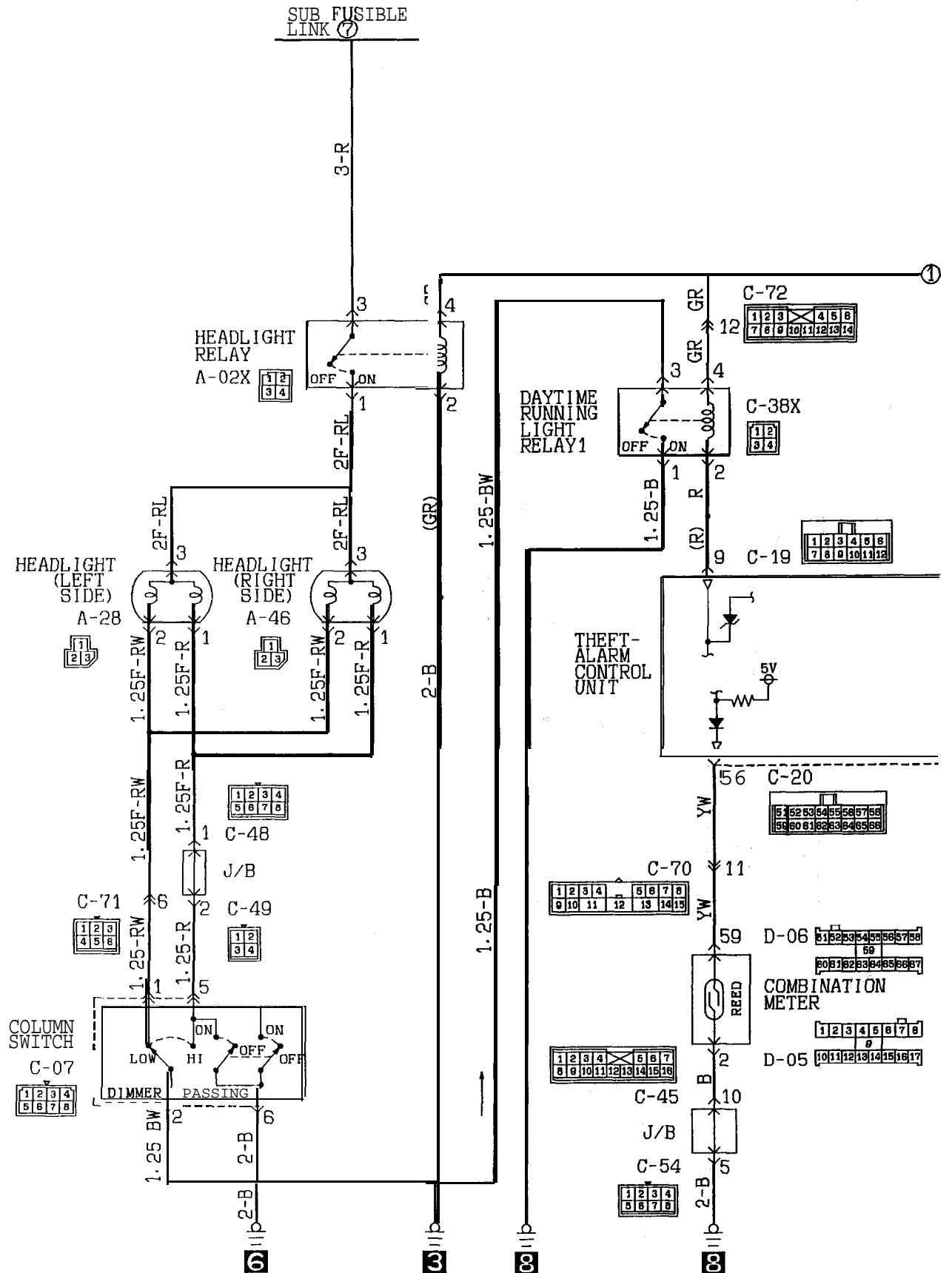


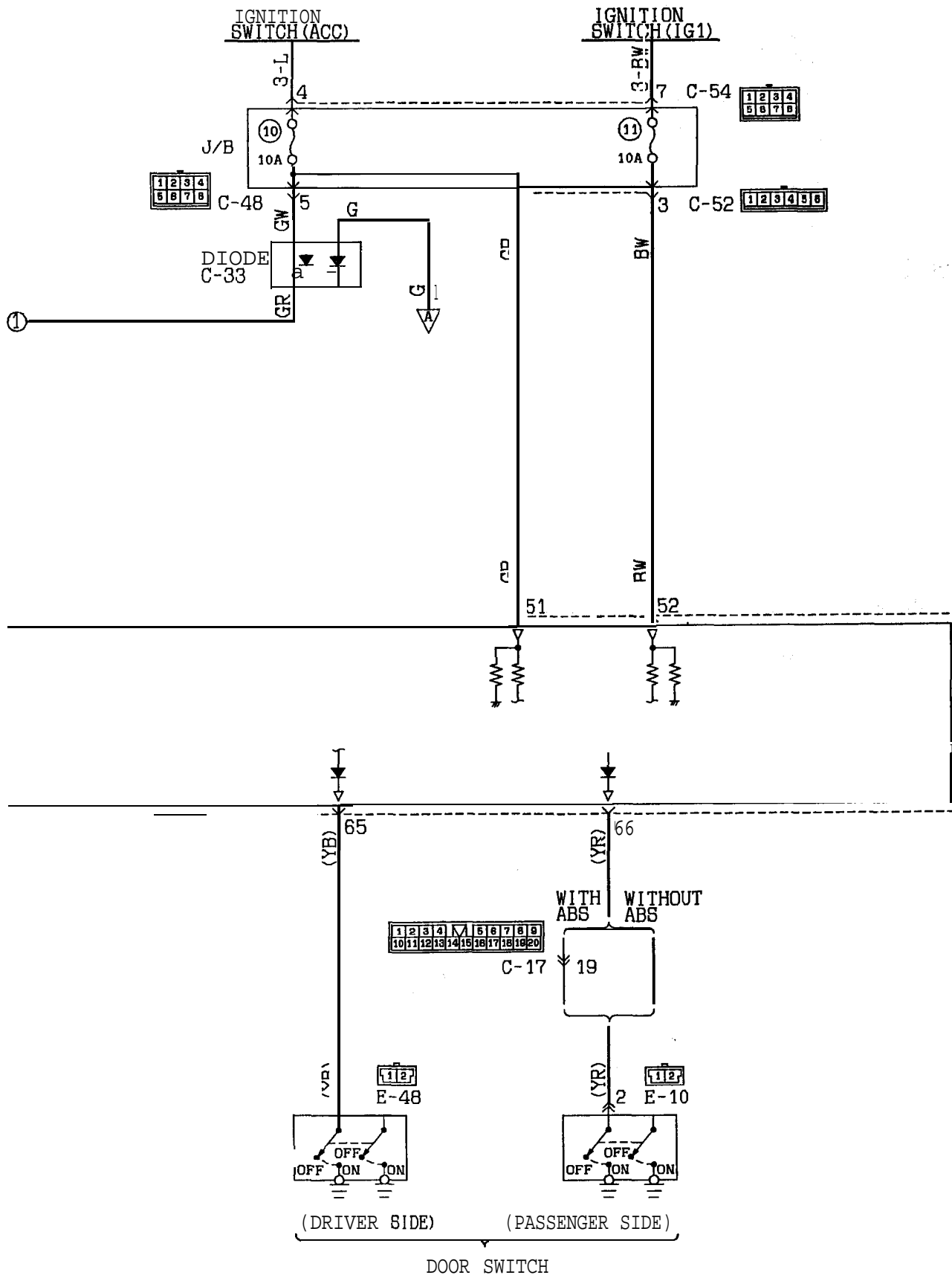


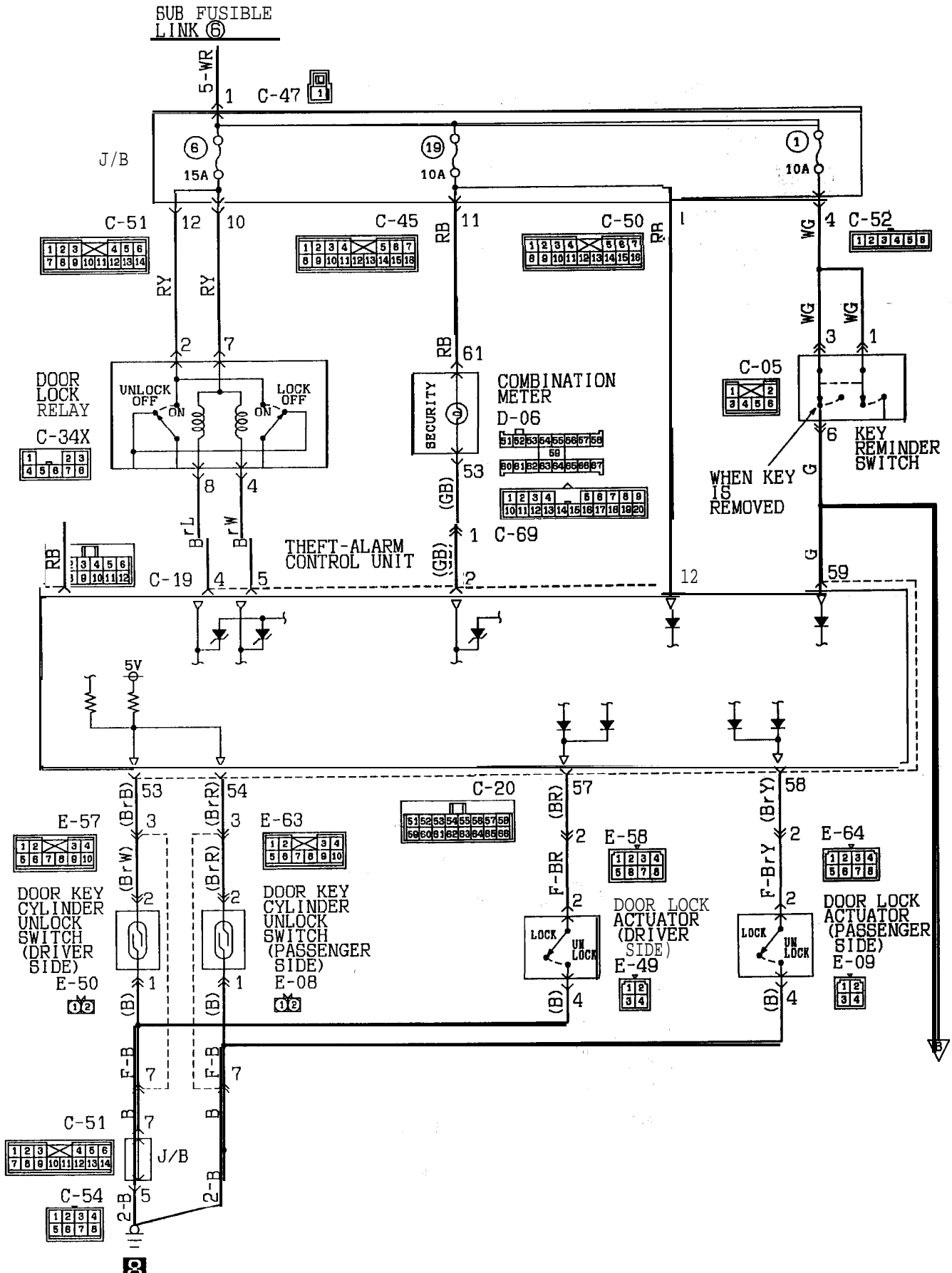


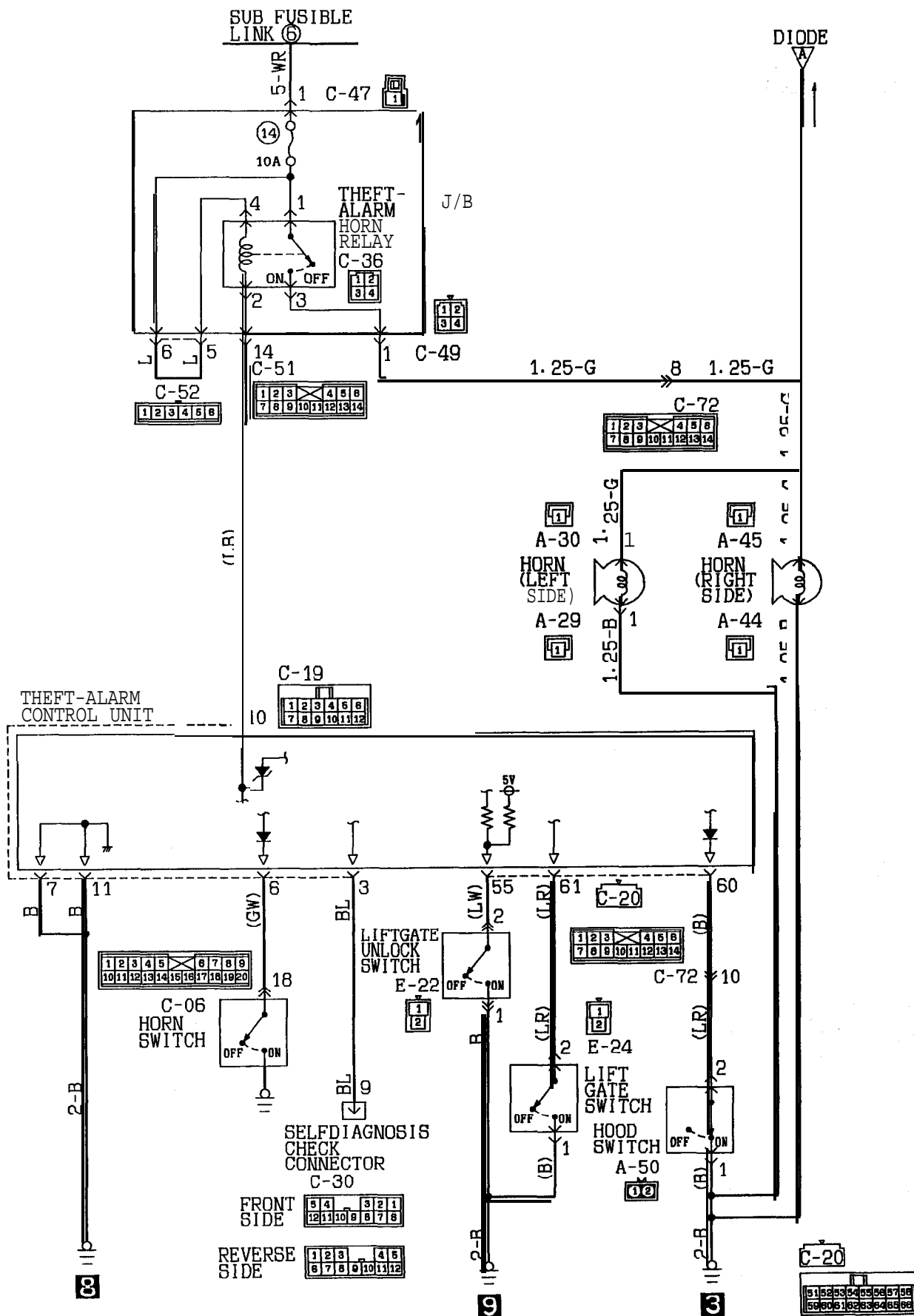


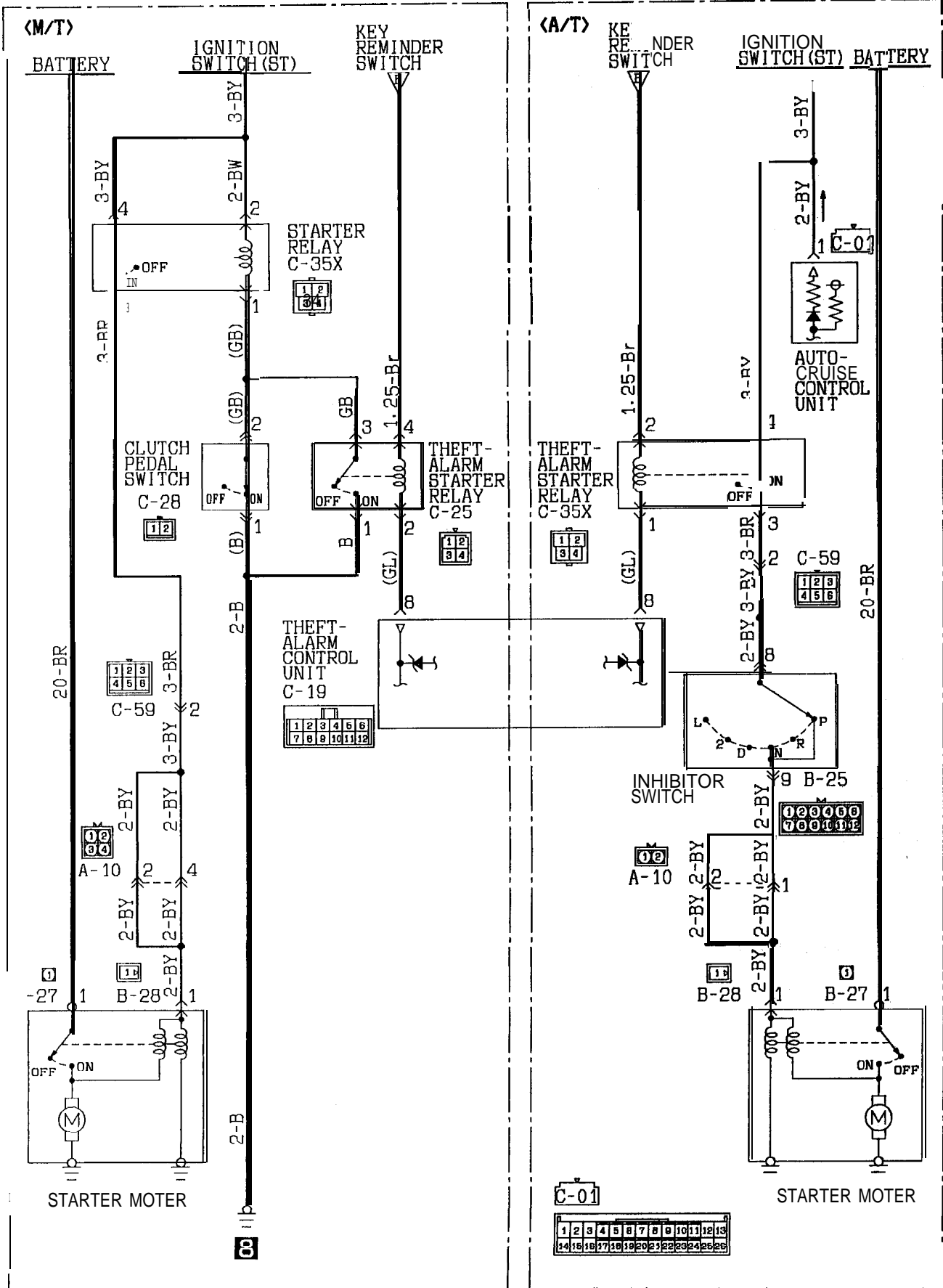
Vehicles with daytime running light











COMPONENTS LOCATION

Name	Symbol	Name	Symbol
Theft-alarm control unit	A	Theft-alarm starter relay <A/T>	C
Theft-alarm horn relay	D	Theft-alarm starter relay <M/T>	B

