



# TECHNICAL SERVICE BULLETIN

SUBJECT:

## BRAKE PAD INSTALLATION SERVICE POINTS

NO. TSB-92-35-003

DATE March, 1992

MODEL All

### PURPOSE

This Technical Service Bulletin emphasizes the need to perform certain procedures during the front (and on some vehicles, the rear) brake pad installation.

### AFFECTED VEHICLES

Front brake pad installation: All vehicles.

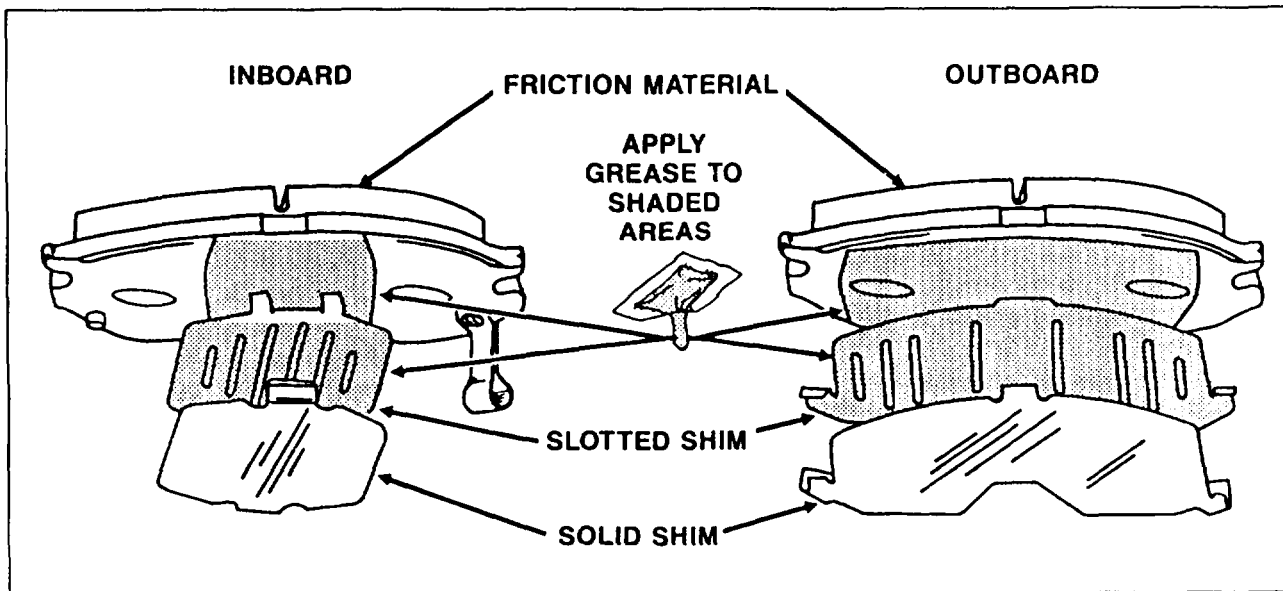
Rear brake pad installation: 1990-92 Eclipse and 1989-92 Galant (only those with 4-wheel disc brakes).

### DESCRIPTION

#### Front Brake Pad Installation

When replacing front brake pads, apply a thin layer of high temperature brake grease (supplied with the brake pad kit) to coat the brake pad backing plate. Refer to the illustration below for the locations where brake grease should be applied.

**CAUTION: BE CAREFUL NOT TO GET ANY GREASE ON THE FRICTION SIDE OF THE PAD.**



**TYPICAL BRAKE GREASE APPLICATION AREAS**  
(Eclipse front brake pads are shown, however, all models are similar.)

Continued . Index .

**029154**

FILE UNDER: Group 35 Service Brakes in the Dealer Service Information Binder

(1134)

CIRCULATE TO:

SERVICE ADVISOR

GENERAL MANAGER

SERVICE MANAGER

PARTS MANAGER

WARRANTY PROCESSOR

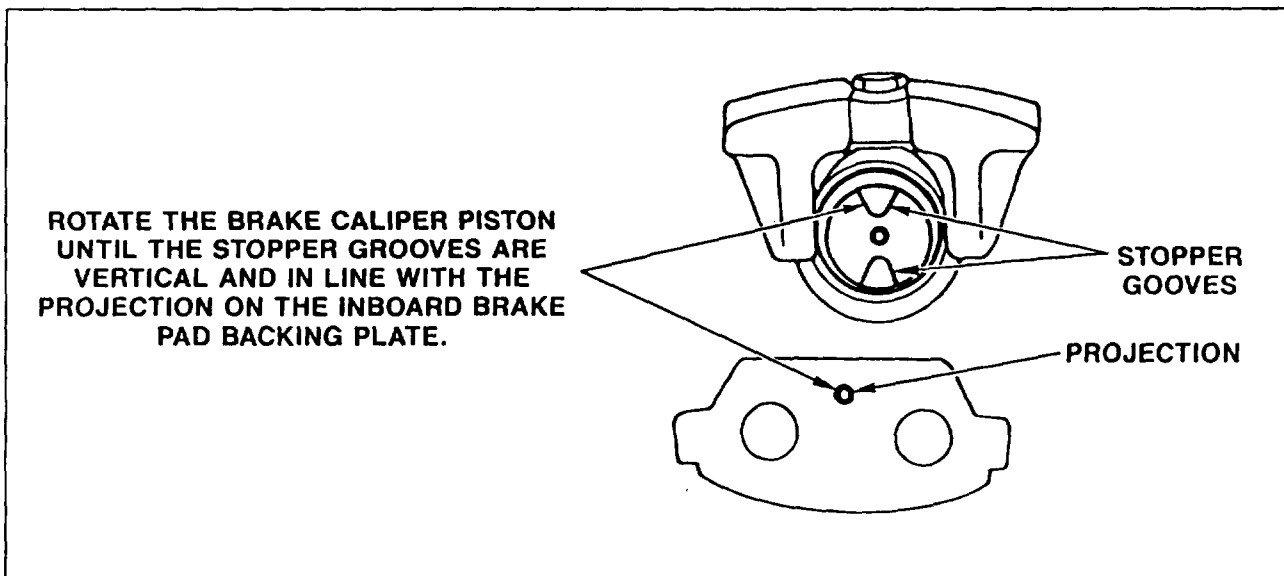
TECHNICIAN

SALES MANAGER

For further information on the application of brake grease, refer to page 6 of Technical Service Bulletin number TSB-91-35-004 and Group 35 of the applicable service manual. Technical Service Bulletin number TSB-91-35-004 also contains important information regarding the elimination of front brake judder on 1990-91 Eclipses and 1989-91 Galants.

### Rear Brake Pad Installation

When installing rear brake pads on a 1990-92 Eclipse or 1989-92 Galant, align the stopper grooves of the brake caliper piston with the projection on the back of the inboard brake pad by rotating the piston clockwise until the stopper grooves are vertical and in line with the projection. Refer to the illustration below.



For further information on rear brake pad installation, refer to Group 35 of the applicable service manual.

**CAUTION: FAILURE TO PERFORM THE BRAKE PAD INSTALLATION SERVICE POINTS SHOWN IN THIS BULLETIN WILL LEAD TO UNEVEN BRAKE PAD WEAR AND UNNECESSARY BRAKE SYSTEM NOISE.**